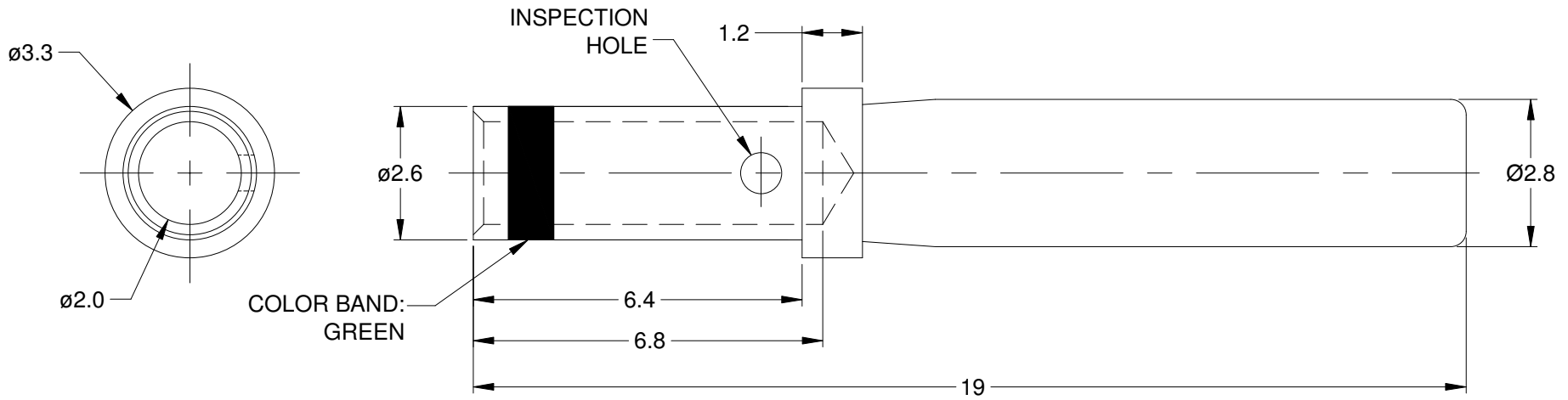


REVISIONS

REV	ECO	DESCRIPTION	DATE	BY	APPR
A4	-	RELEASE NEW DWG FORMAT	10/OCT/13	JARRY	-
A5	-	ADDED COLOR BAND	16DEC2014	JAH	-
A6	-	MATCHED DIMS TO NEW TOOLING	28JAN2015	JAH	-



NOTES: UNLESS OTHERWISE SPECIFIED

1. MATERIAL: COPPER ALLOY
2. PLATING: SEE PART NUMBER CHART
3. CONTACT SIZE: 16
4. SPECIFICATIONS:
 - 4.1 CURRENT RATING: 13 AMPS
 - 4.2 CONTACT MILLIVOLT DROP: 60 MILLIVOLT DROP @ 13 AMP TEST CURRENT.
 - 4.3 RoHS COMPLIANT
5. RECOMMENDED WIRE RANGE: 14 AWG
6. AVAILABLE HAND CRIMPER: CA-5D12
7. ALL DIMENSIONS ARE FOR REFERENCE USE ONLY

PART NUMBER CHART	
PLATING	PART NUMBER
GOLD	AT62-209-1631
NICKEL	AT62-209-16141

SEE PART NUMBER CHART		DESCRIPTION	ITEM
QUANTITY	PART NUMBER		

UNLESS OTHERWISE SPECIFIED		SIGNATURES		DATE	<h1>Amphenol</h1> <p>Sine Systems - www.amphenol-sine.com 44724 Morley Drive Clinton Township, MI 48036</p> <p>CONTACT, SOCKET, SOLID, SIZE 16, 14 AWG, AT & AHD-9 SERIES</p>			
1) All dimensions are in metric(mm).		DRAWN:	JARRY	10/OCT/13				
2) Tolerances are as follows:		CHECKED:						
1 PL DEC ±0.30		ENGINEER:						
2 PL DEC ±0.15		APPROVAL:						
3 PL DEC ±0.08		CUSTOMER:						
3) Note reference =		THIS DRAWING IS SUPPLIED FOR INFORMATION ONLY. DESIGN FEATURES, SPECIFICATIONS AND PERFORMANCE DATA SHOWN HEREON ARE THE PROPERTY OF THE AMPHENOL CORPORATION. NO RIGHTS OF REPRODUCTION ARE IMPLIED. ALL DIMENSIONS ARE SUBJECT TO NORMAL MANUFACTURING VARIATIONS.			SIZE	TYPE	DWG NO:	REVISION
MATERIAL SPECIFICATIONS:					A	C-	AT62-209-16XXX	A6
PROCESS SPECIFICATIONS:					SCALE: NONE		SHEET 1 OF 1	
NEXT ASS'Y:								

AMEYA360

Components Supply Platform

Authorized Distribution Brand :



Website :

Welcome to visit www.ameya360.com

Contact Us :

➤ Address :

401 Building No.5, JiuGe Business Center, Lane 2301, Yishan Rd
Minhang District, Shanghai , China

➤ Sales :

Direct +86 (21) 6401-6692

Email amall@ameya360.com

QQ 800077892

Skype [ameyasales1](#) [ameyasales2](#)

➤ Customer Service :

Email service@ameya360.com

➤ Partnership :

Tel +86 (21) 64016692-8333

Email mkt@ameya360.com