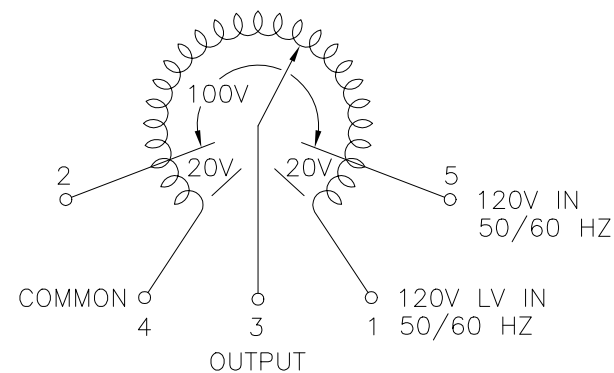
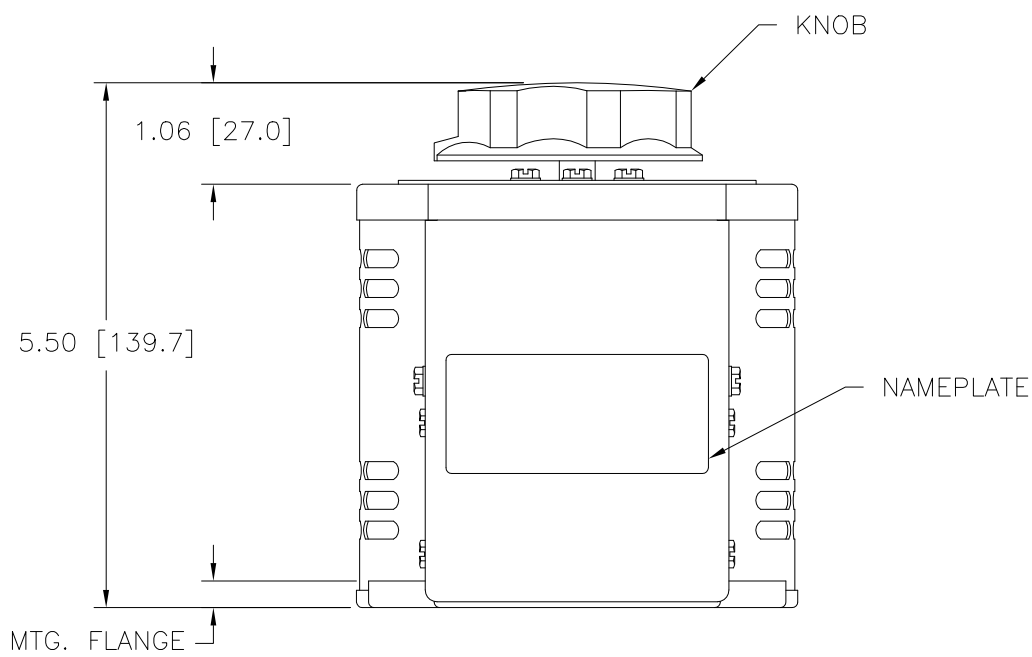


.88 [22.2] DIA. KNOCKOUT
(3) PLACES FOR
WIRING CONNECTIONS



OUTPUT
SCHEMATIC
VIEW FROM BASE END
FUSE RECOMMENDED BUT NOT SUPPLIED

SPECIFICATIONS											
WIRING	INPUT		OUTPUT				SHAFT ROTATION TO INCREASE VOLTAGE	TERMINAL CONNECTIONS			
	VOLTS	HERTZ	VOLTS	CONSTANT CURRENT LOAD		CONSTANT IMPEDANCE LOAD		FOR INCREASING VOLTAGE AS VIEWED FROM BASE END			
				MAX. AMPS	MAX. KVA	MAX. AMPS		MAX. KVA	INPUT	JUMPER	OUTPUT
SINGLE PHASE	120	50/60	0-120	10	1.2	13	1.56	CW	1-4	---	4-3
			0-140	10	1.4	---	---	CCW	1-4	---	1-3
								CW	4-5	---	4-3
								CCW	1-2	---	1-3

UNLESS OTHERWISE SPECIFIED, TOLERANCE IS ±
DECIMALS HOLES ANGLES DRAFT
.XX .0000 .06 .002 1° 1-1/2°
XXX .005

MATERIAL: ALL DIMENSIONS APPLY AFTER PLATING

TITLE: SPEC. CONTROL DRAWING
VARIABLE TRANSFORMER
MODEL: 1010BCT

DRAWN BY: S.A. SMITH
CHECKER: DATE: ENGINEER: DATE:

DATE: 9/17/97
FIRST USED ON: DO NOT SCALE DWG.
WEIGHT APPROX. 10.25 LBS
SCALE 1=1
CAGE CODE 83008
SHEET 1 OF 1

STACO ENERGY PRODUCTS CO.
A Components Corporation of Ameresco Company
302 Gadsden Boulevard Dayton, Ohio 45403 USA
DWG. NO. 031-1655

Authorized Distribution Brand :



Website :

Welcome to visit www.ameya360.com

Contact Us :

➤ Address :

401 Building No.5, JiuGe Business Center, Lane 2301, Yishan Rd
Minhang District, Shanghai , China

➤ Sales :

Direct +86 (21) 6401-6692

Email amall@ameya360.com

QQ 800077892

Skype ameyasales1 ameyasales2

➤ Customer Service :

Email service@ameya360.com

➤ Partnership :

Tel +86 (21) 64016692-8333

Email mkt@ameya360.com