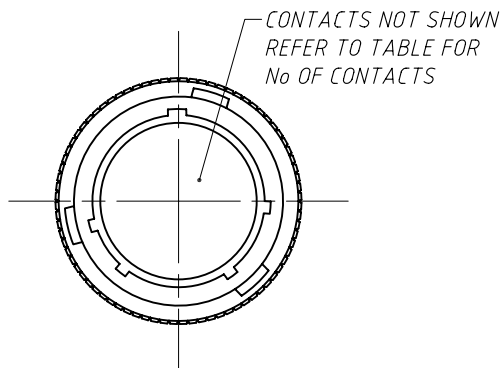
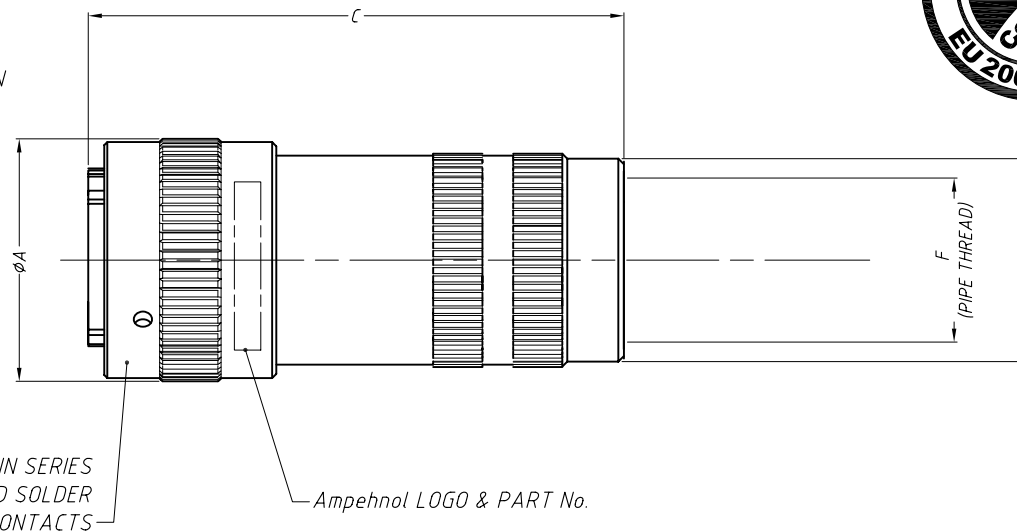


ISO VIEW
(FOR DUST CAP OPTION
REFER TO TABLE)



CONTACTS NOT SHOWN
REFER TO TABLE FOR
No OF CONTACTS



STRAIGHT PLUG 62IN SERIES
WITH GOLD PLATED SOLDER
PIN CONTACTS

Amphenol LOGO & PART No.

ITEM	PART No	DUST CAP OPTION	SHELL SIZE	No OF CONTACTS	DIA A	DIA B	C	THREAD F
1	MP-6516-39P	NO	20	39	39.0	34	90	3/4" - 14 NPT
2	MP-6516-39P-C	YES						
3	MP-6516-61P	NO	24	61	45.5	41	100	3/4" - 14 NPT
4	MP-6516-61P-C	YES						

NOTES:

- MATERIAL & FINISH: DIE CAST ALUMINUM ALLOY, BLACK FINISH
- ASSEMBLY TO BE SUPPLIED WITH GOLD PLATED PIN CONTACTS

CUSTOMER DRAWING

UNLESS OTHERWISE SPECIFIED TOLERANCE TO BE		THIS DOCUMENT IS THE PROPERTY OF AMPHENOL AUSTRALIA PTY. LTD.. NO PART THEREOF MAY BE REPRODUCED AND USED WITHOUT THE PRIOR WRITTEN CONSENT OF THE OWNER			0	FIRST ISSUE	L.V	20-10-05	----
LINEAR	ANGULAR	CAD FILE:	DRN:	DATE:	REV.	CHANGE DETAILS	BY	DATE	CHG/No
X ±	X° ± 1°	55010308000121	L.V	20-10-05					
X.X ±	X°X' ± 30'		M.P	20/02/06					
X.XX ±	X°X'X" ± 15"		M.P	20/02/06					
BREAK ALL SHARP EDGES AND REMOVE ALL BURRS		MATL:	SEE NOTE 1	APP'D:	TITLE:		Amphenol		
DO NOT SCALE		FINISH:	SEE NOTE 2	SCALE:	STRAIGHT CABLE PLUG PIN CONTACT		Amphenol Australia Pty.Ltd, 2 Fiveways Blvd, Keysborough, Vic.3173		
DIMENSIONS IN MILLIMETRES		THIRD ANGLE PROJECTION		SCALE:	NTS	PART No:	SEE TABLE	SIZE:	A4
						DRAWING NO.		55010308-000-2	
						SHEET		1 OF 2	

AMEYA360

Components Supply Platform

Authorized Distribution Brand :



Website :

Welcome to visit www.ameya360.com

Contact Us :

➤ Address :

401 Building No.5, JiuGe Business Center, Lane 2301, Yishan Rd
Minhang District, Shanghai , China

➤ Sales :

Direct +86 (21) 6401-6692

Email amall@ameya360.com

QQ 800077892

Skype [ameyasales1](#) [ameyasales2](#)

➤ Customer Service :

Email service@ameya360.com

➤ Partnership :

Tel +86 (21) 64016692-8333

Email mkt@ameya360.com