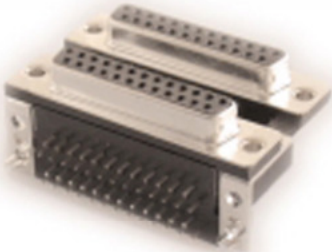




SERIES 661/662/663/664



Example Part Number 661 - 025 - 2 64 - 0 1 3

Series _____
 Total Contacts _____
 Plating Code _____
 Contact Code _____
 Material Code _____
 Grounding Feature _____
 Mounting Option _____

FEATURES

Two contact rows per connector with right angle bend

Plug and receptacle in 9-, 15-, 35-, or 37-pin contact sizes

Pin and socket contact mating design with PC Tail termination

Metal Shell Provides EMI/RFI Shielding. Plug Shell Indents Provide Grounding and Additional Mating Retention

Grounding Features Include two-prong boardlock for Exceptional Retention to PC Board

Mounting options for panel mount or connector mating include through hole, threaded inserts and threaded standoffs

D-shaped connector mating outline provides polarization
 Design based on requirements of MIL-C-24308, EIA RS-232 and RS-449

SPECIFICATIONS

Insulator Material: Thermoplastic polyester UL 94V-0; chemical resistant; colour - black

Ferrite Specifications: Attenuation - 20db MIN @ 30Mhz, 30dB MIN @ 50MHz, and 50dB @ 100Mhz

Contact Material: Plug contacts- brass
 Receptacle contacts - phosphor bronze

Contact Plating: Gold (see Ordering Code) over nickel for the mating area; tin plating on contact tails

Shell Material: Tin-plated steel

Current Rating: 5 amperes

Contact Resistance: 10 milliohms maximum

Dielectric Withstanding Voltage: 1000 V AC rms @ sea level

Insulation Resistance: 5000 megohm minimum

Operating Temperature: -55 to + 105 degrees C

Engagement and Separation Force: 1 to 10 oz (0.28 to 2.78 N) per contact position

Series	
661	Plug over plug
662	Receptacle over receptacle
663	Plug over receptacle
664	Receptacle over plug
Total Contacts	009, 015, 025, 037, 050

Plating Code	
2	Gold Flash (Class 3)
3	15u" (0.38um) (Class 2)
6	30u" (0.76um) (Class 1)

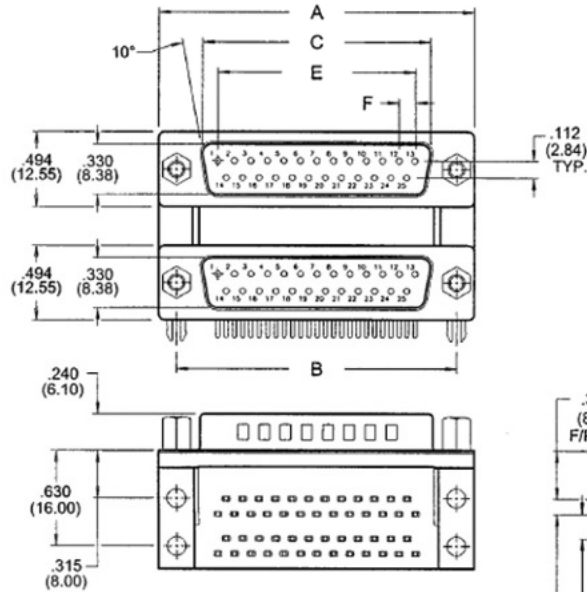
Contact Code	Description
64	Regular density connectors
67	25-pin female/SCSI II 50 female
68	Ferrite filter (9- and 25-pin only)
69	Any high-density connector combination

Material Code	
0	.150" (3.81mm) between upper/lower contact rows
0	.160" (4.06mm) between upper/lower contacts rows

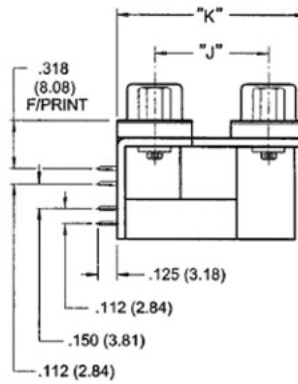
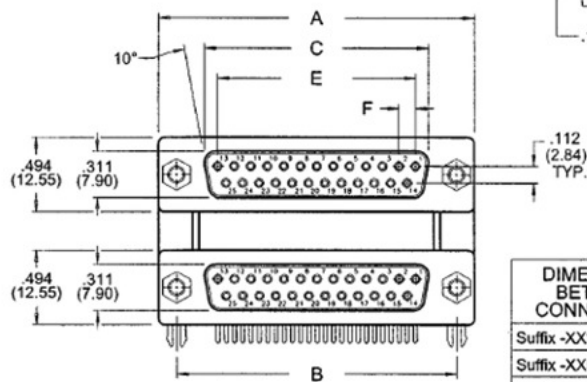
Grounding Feature	
1	.125" (3.18mm) (dia. through-hole
3	Two-prong boardlocks for PCB hole
5	#4-40 UNC threaded mounting hole
7	Rear only two-prong boardlocks

Mounting Option	
2	.625" (15.88mm) #4-40 unified threaded insert
3	.625" (15.88mm) #4-40 unified threaded hex standoff
4	.625" (15.88mm) .125" clear hole insert
5	.750" (19.05mm) #4-40 unified threaded insert
6	.750" (19.05mm) #4-40 unified threaded hex standoff
7	.750" (19.05mm) .125" clear hole insert
8	.900" (22.86mm) #4-40 unified threaded insert
9	.900" (22.86mm) #4-40 unified threaded hex standoff
0	.900" (22.86mm) .125" clear hole insert

PLUG/PLUG 661 SERIES



RECEPTACLE/RECEPTACLE 662 SERIES



DIMENSIONS BETWEEN CONNECTORS	J		K	
	Inch	(mm)	Inch	(mm)
Suffix -XX2, -XX3, -XX4	.625	(15.88)	1.119	(28.42)
Suffix -XX5, -XX6, -XX7	.750	(19.05)	1.244	(31.60)
Suffix -XX8, -XX9, -XX0	.900	(22.86)	1.394	(35.41)

NUMBER OF CONTACTS	A		B		C PLUG		C RECEPTACLE		E		F	
	Inch	(mm)	Inch	(mm)	Inch	(mm)	Inch	(mm)	Inch	(mm)	Inch	(mm)
9	1.214	(30.84)	.984	(24.99)	.667	(16.92)	.640	(16.26)	.432	(10.97)	.108	(2.74)
15	1.545	(39.24)	1.312	(33.32)	.994	(25.25)	.967	(24.56)	.756	(19.20)	.108	(2.74)
25	2.088	(53.04)	1.852	(47.04)	1.534	(38.96)	1.508	(38.30)	1.304	(33.12)	.109	(2.76)
37	2.730	(69.34)	2.500	(63.50)	2.182	(55.42)	2.156	(54.76)	1.956	(49.68)	.109	(2.76)

AMEYA360

Components Supply Platform

Authorized Distribution Brand :



Website :

Welcome to visit www.ameya360.com

Contact Us :

➤ Address :

401 Building No.5, JiuGe Business Center, Lane 2301, Yishan Rd
Minhang District, Shanghai , China

➤ Sales :

Direct +86 (21) 6401-6692

Email amall@ameya360.com

QQ 800077892

Skype [ameyasales1](#) [ameyasales2](#)

➤ Customer Service :

Email service@ameya360.com

➤ Partnership :

Tel +86 (21) 64016692-8333

Email mkt@ameya360.com