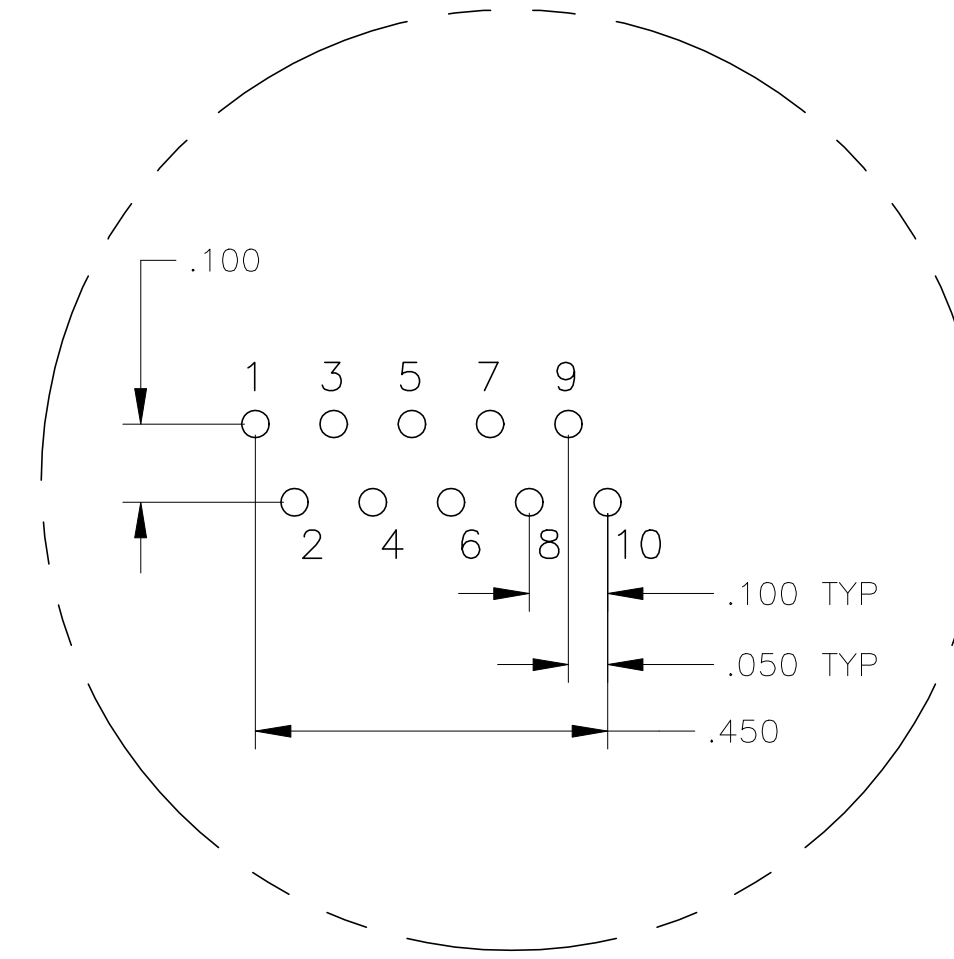
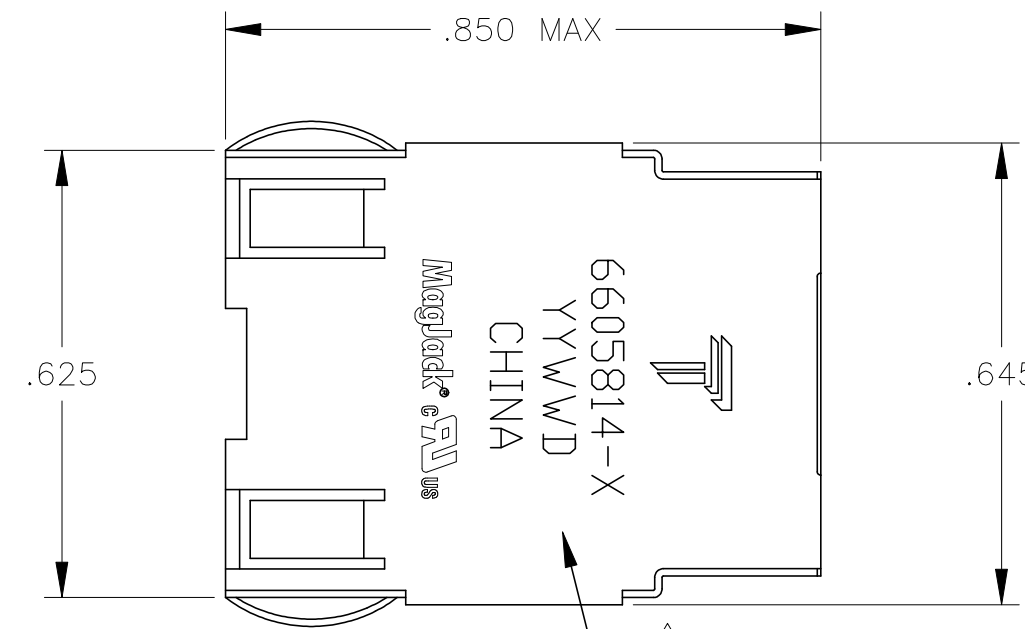


THIS DRAWING AND THE SUBJECT MATTER SHOWN THEREON ARE CONFIDENTIAL AND THE PROPERTY OF BEL/STEWART/TRP CONNECTOR AND SHALL NOT BE REPRODUCED, COPIED, OR USED IN ANY MANNER WITHOUT THE WRITTEN CONSENT OF TRP CONNECTOR.

PRODUCT MAY BE PROTECTED BY ONE OR MORE OF THE FOLLOWING US PATENTS:
 5736910 5939955 6425781 6428361 6554638 6840817 7123117
 7429195 7717749 7808751 6217391 6149050 7924130

| REVISIONS | | | | | |
|-----------|-----|--------------------------------|-----------|-----|------|
| P | LYR | DESCRIPTION | DATE | DWN | APVD |
| K | | EC-1411035 COMPANY LOGO CHANGE | 08JAN2015 | HY | KZ |

MECHANICAL:

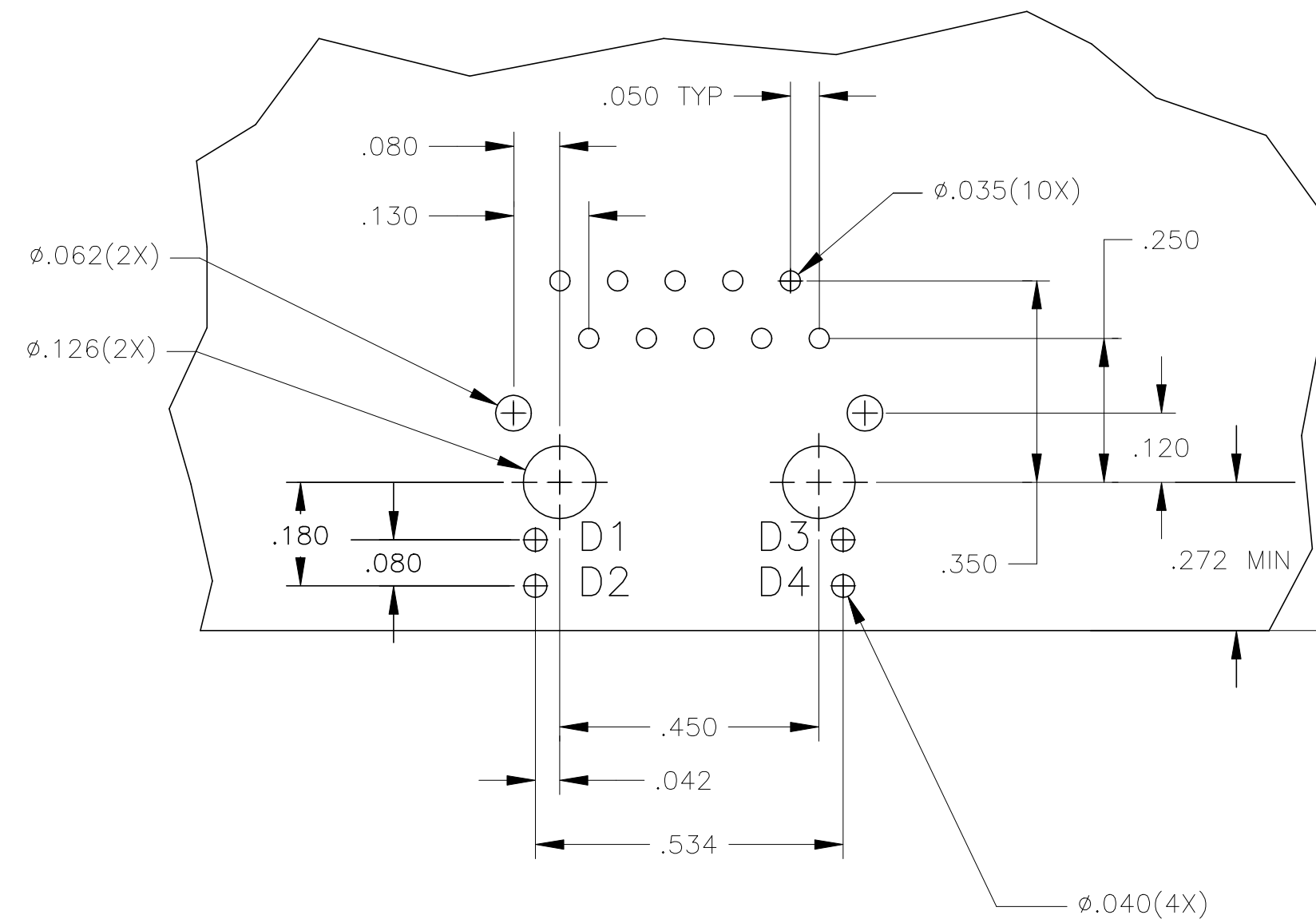
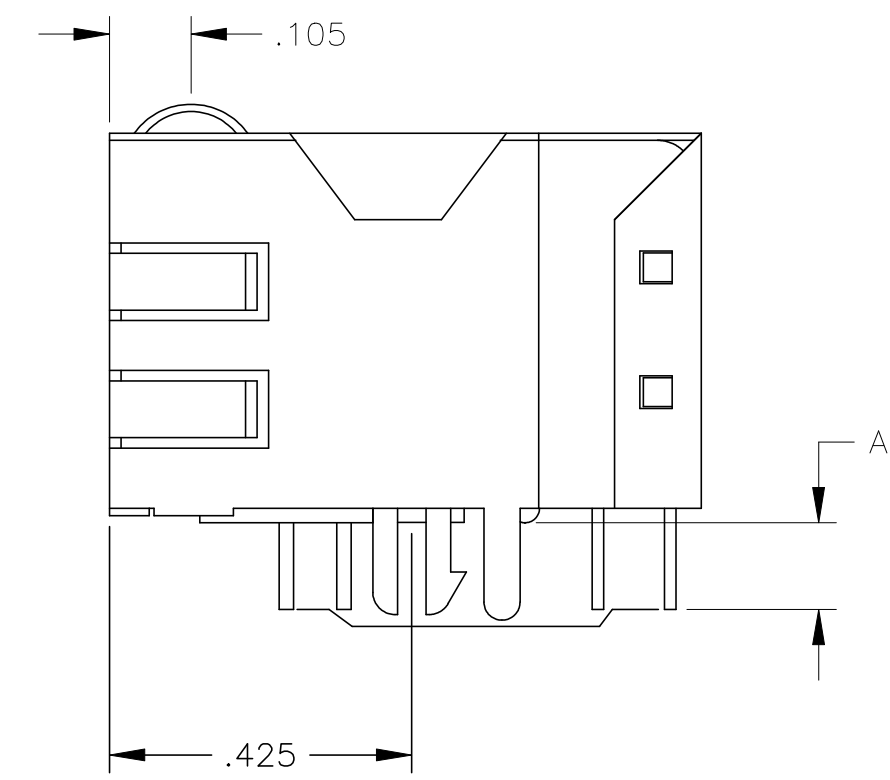
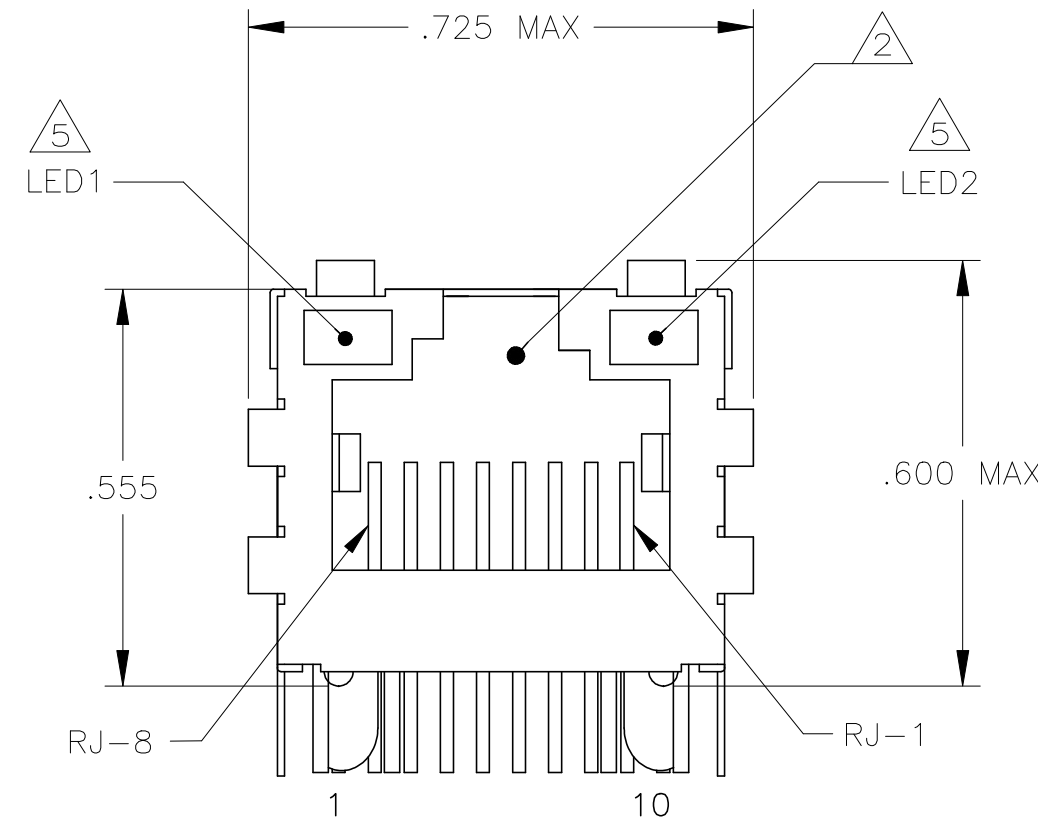


Pin Designations

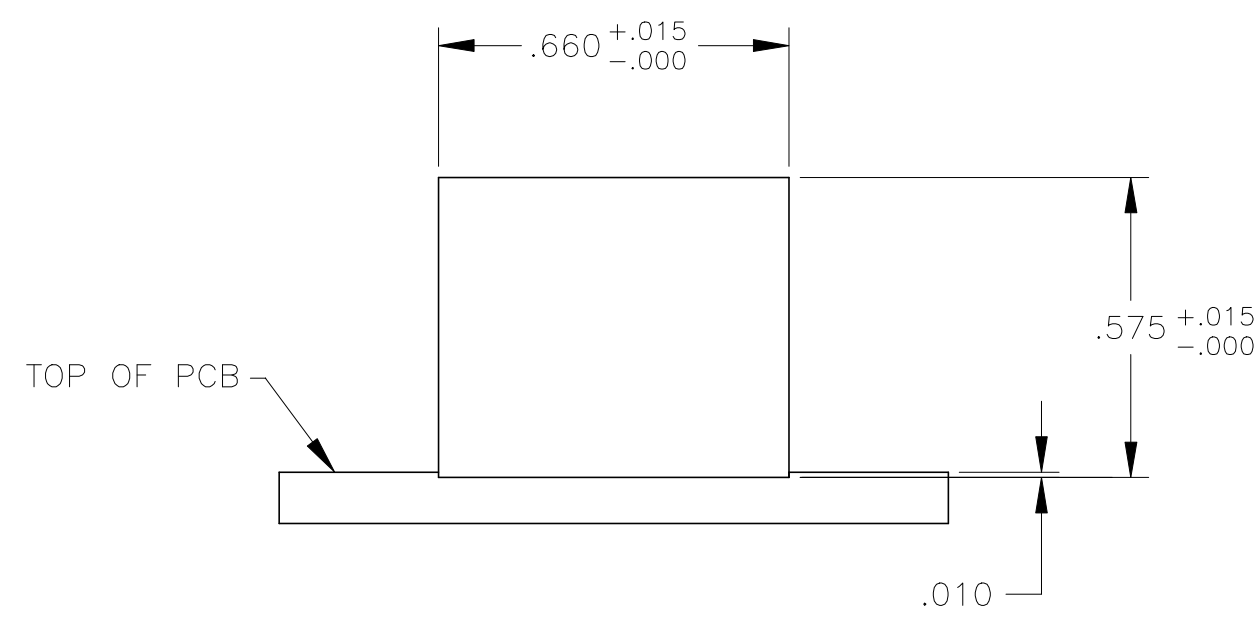
- 1. **MATERIALS:**
 HOUSING - THERMOPLASTIC PET POLYESTER FLAMMABILITY RATING UL 94V-0.
 SHIELD - .010" THICK, C26800 BRASS PREPLATED WITH 30µm MIN SEMI-BRIGHT NICKEL;
 SOLDER TABS POST-DIPPED WITH 100µm MIN SAC SOLDER.
 MOD JACK CONTACTS - .0157" x .018" THICK, PHOSPHOR BRONZE, 50µm MIN OVERALL NICKEL UNDERPLATE, WITH SELECT 50µm MIN HARD GOLD FINISH PLATE.
 SOLDER TAILS WITH 100µm MIN MATTE TIN AND/OR SAC SOLDER DIP.
 LIGHT EMITTING DIODE(LED) - DIFFUSED EPOXY LENS, .020" x .020" CARBON STEEL WIREFRAME LEADS PREPLATED WITH 80µm SILVER OVER 40µm NICKEL UNDERPLATE OVER 40µm COPPER UNDERPLATE; POST-PLATED WITH 100µm MIN MATTE TIN AND/OR SAC SOLDER DIP OR PURE TIN SOLDER DIP.
- 2. RJ45 JACK CAVITY CONFORMS TO FCC RULES AND REGULATIONS PART 68, SUB PART F.
- 3. **MAGNETICS**
 -APPLICATION: 10/100/1000 BASE-T
 -IMPEDANCE: 100 OHMS
 -TURNS RATIO (CHIP:CABLE): 1:1 ALL FOUR PAIRS
 -OPEN CIRCUIT INDUCTANCE (OCL): 350µH MIN @100kHz, 0.1VRMS, 8mADC BIAS FROM 0°C TO 70°C, ALL FOUR PAIRS
 -ALL FOUR PAIRS BI-DIRECTIONAL
 -PERFORMANCE @ 25°C:
 INSERTION LOSS (IL): 1.1dB MAX FROM 0.5MHz TO 100MHz
 RETURN LOSS (RL): 18dB MIN FROM 0.5MHz TO 40MHz
 12-20LOG(#/80)dB MIN FROM 40.1MHz TO 100MHz
 CROSSTALK ATTENUATION: 35dB MIN FROM 0.5MHz TO 40MHz
 33-20LOG(#/50)dB MIN FROM 40.1MHz TO 100MHz
 COMMON MODE REJECTION RATIO (CMRR): 30dB MIN FROM 0.5MHz TO 100MHz
 ISOLATION VOLTAGE: 2250VDC (MAX) FOR 60 SECONDS WITH A RISE TIME OF 500V/SEC.

- 4. THE MAGNETICS ARE SYMMETRICAL, AND SUPPORTS AUTO-MDI/MDIX.
- 5. THE 250 OHM LED RESISTORS ARE OPTIONAL, PLEASE SEE CHART FOR PRESENCE OR ABSENCE OF LED RESISTORS. IF THE LED WITHOUT 250 OHM RESISTORS, LED IS DRIVEN WITH CONSTANT CURRENT AT APPROX 20mA.
 LED COLOR: DOMINANT WAVELENGTH (λ D): GREEN 568 nm TYP. at IF=20mA
 FORWARD VOLTAGE (VF): GREEN 2.2V TYP. at IF=20mA
 DOMINANT WAVELENGTH (λ D): YELLOW 588 nm TYP. at IF=20mA
 FORWARD VOLTAGE (VF): YELLOW 2.1V TYP. at IF=20mA
 DOMINANT WAVELENGTH (λ D): ORANGE 605 nm TYP. at IF=20mA
 FORWARD VOLTAGE (VF): ORANGE 2.1V TYP. at IF=20mA
- IF THE LED WITH 250 OHM RESISTORS, LED IS DRIVEN WITH 5V VOLTAGE AND THE MAX OPERATING CURRENT IS 20mA.
 LED COLOR: DOMINANT WAVELENGTH (λ D): GREEN 568 nm TYP. At VF=5V
 FORWARD CURRENT (IF): GREEN 12 mA TYP. at VF=5V
 DOMINANT WAVELENGTH (λ D): YELLOW 588 nm TYP. At VF=5V
 FORWARD CURRENT (IF): YELLOW 13 mA TYP. at VF=5V

- 6. TRP CONNECTOR LOGO, PART NUMBER, DATE CODE, COUNTRY OF ORIGIN AND AGENCY APPROVAL MARKING IN APPROXIMATE LOCATION SHOWN. DATE CODE: "YY" IS YEAR, "WW" IS WORK WEEK, "D" IS DAY OF WEEK, WITH SUNDAY=1
- 7. THE PART IS RECOMMENDED FOR WAVE SOLDERING PROCESS, PREHEAT TEMPERATURE IS 120°C TO 160°C, 120 SECONDS TO 180 SECONDS, PEAK WAVE SOLDERING TEMPERATURE IS 260°C MAX, 10 SECONDS MAX.

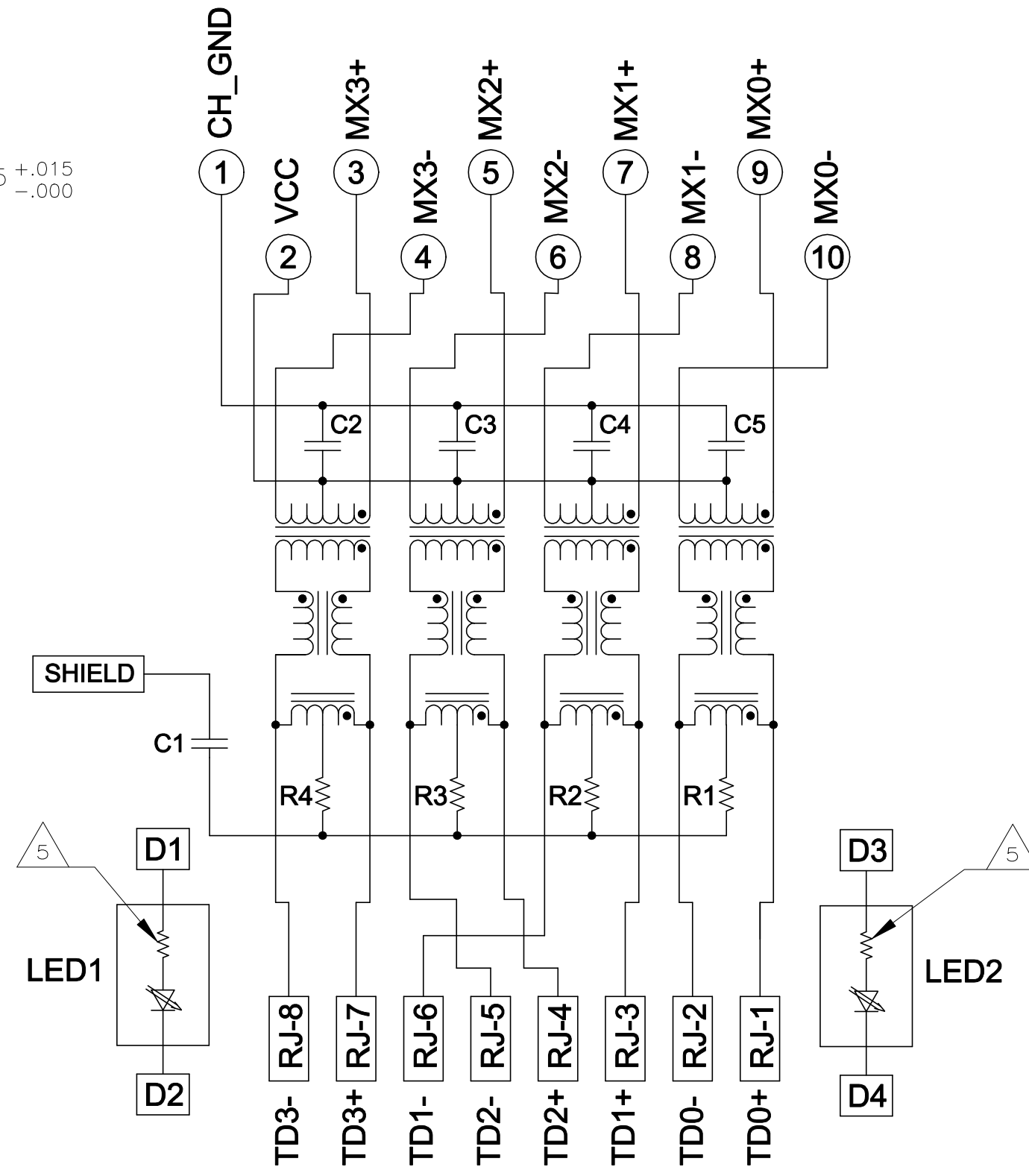


Suggested PCB Layout (Component Side)

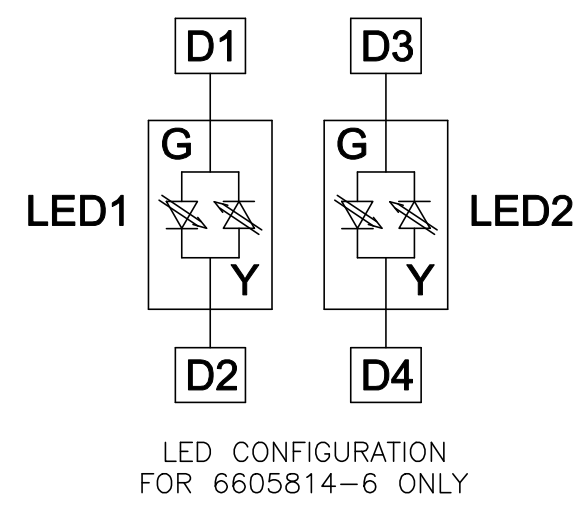


Suggested Panel Cutout

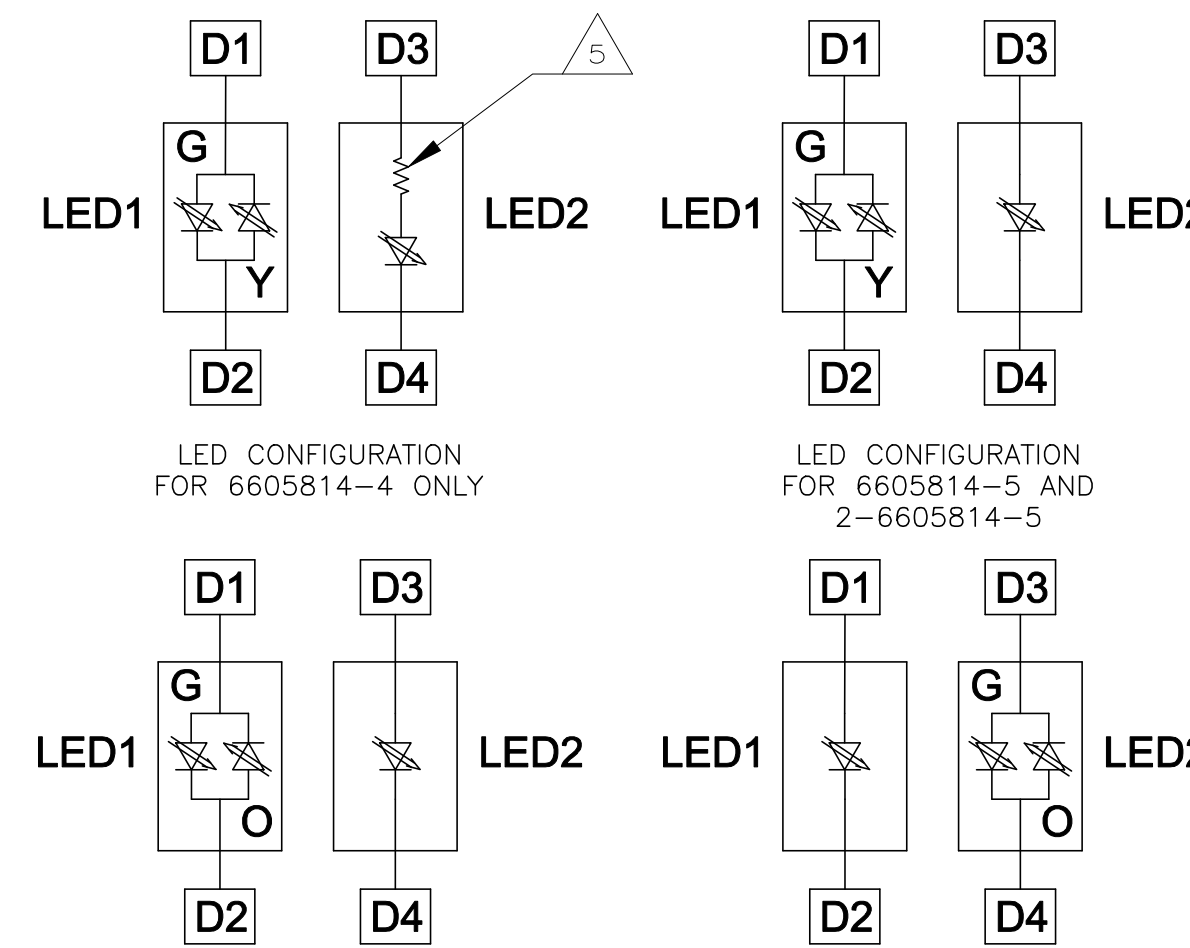
7G05 SERIES GIGABIT CIRCUIT



C1=1000 pF, 2kV CAPACITOR
R1-R4 = 75 OHMS, 1/16 W RESISTORS
C2-C5 = 0.1 uF, 50V, X7R CAPACITORS



LED CONFIGURATION FOR 6605814-6 ONLY



LED CONFIGURATION FOR 6605814-4 ONLY

LED CONFIGURATION FOR 6605814-5 AND 2-6605814-5

LED CONFIGURATION FOR 1-6605814-3 ONLY

LED CONFIGURATION FOR 1-6605814-5 AND 1-6605814-8

| OBsolete | Dimensions | Color | Resistor | Material | Part Number |
|----------|------------|--------------|----------|--------------|-------------|
| OBsolete | .100±.010 | GREEN/YELLOW | NO | GREEN | 2-6605814-5 |
| OBsolete | .145±.010 | GREEN | NO | GREEN/ORANGE | 1-6605814-8 |
| OBsolete | .145±.010 | YELLOW | NO | GREEN/ORANGE | 1-6605814-5 |
| | .145±.010 | GREEN/ORANGE | NO | YELLOW | 1-6605814-3 |
| | .145±.010 | GREEN | YES | GREEN | 1-6605814-1 |
| | .145±.010 | GREEN | NO | YELLOW | 6605814-8 |
| | .145±.010 | GREEN/YELLOW | NO | GREEN/YELLOW | 6605814-6 |
| | .145±.010 | GREEN/YELLOW | NO | GREEN | 6605814-5 |
| OBsolete | .145±.010 | GREEN/YELLOW | NO | GREEN | 6605814-4 |
| OBsolete | .145±.010 | YELLOW | YES | GREEN | 6605814-2 |
| OBsolete | .145±.010 | GREEN | YES | YELLOW | 6605814-1 |

| | | | | | | | | | | | |
|--|--|--|--|------------------------------|--|--------------------------------|--|---------------|--|----------------|--|
| THIS DRAWING IS A CONTROLLED DOCUMENT. | | DWN: CLOUD,ZENG 29MAY2006 | | CHK: MICHAEL,ZHANG 29MAY2006 | | APVD: TEDDY,XIONG 29MAY2006 | | TRP CONNECTOR | | DONGGUAN CHINA | |
| DIMENSIONS: INCHES | | TOLERANCES UNLESS OTHERWISE SPECIFIED: | | MODEL NAME | | DESC | | SIZE | | RESTRICTED TO | |
| 0 PLC ± .010 | | 1 PLC ± .010 | | MAGJACK SINGLE | | 1X1 7G05 GIGABIT TAB UP W/ LED | | A1 | | NON-POE | |
| 2 PLC ± .010 | | 3 PLC ± .005 | | NON-POE | | C=6605814 | | SCALE | | SHEET 1 OF 1 | |
| 4 PLC ± .005 | | ANGLES ± .005 | | CUSTOMER DRAWING | | SCALE | | NTS | | REV K | |
| PRODUCT SPEC 108-2100 | | APPLICATION SPEC | | CUSTOMER DRAWING | | SCALE | | NTS | | REV K | |

Authorized Distribution Brand :



Website :

Welcome to visit www.ameya360.com

Contact Us :

➤ Address :

401 Building No.5, JiuGe Business Center, Lane 2301, Yishan Rd
Minhang District, Shanghai , China

➤ Sales :

Direct +86 (21) 6401-6692

Email amall@ameya360.com

QQ 800077892

Skype ameyasales1 ameyasales2

➤ Customer Service :

Email service@ameya360.com

➤ Partnership :

Tel +86 (21) 64016692-8333

Email mkt@ameya360.com