

# 4-Phase Interleaved Boost PWM Controller with Light Load Efficiency Enhancement

## ISL78225

The ISL78225 4-phase controller is targeted for applications where high efficiency (>95%) and high power are required. The multiphase boost converter architecture uses interleaved timing to multiply channel ripple frequency and reduce input and output ripple. Lower ripple results in fewer input/output capacitors and therefore lower component cost and smaller implementation area.

The ISL78225 has a dedicated pin to initiate the phase dropping scheme for higher efficiency at light load by dropping phases based on the load current, so the switching and core losses in the converter are reduced significantly. As the load increases, the dropped phase(s) are added back to accommodate heavy load transients and improve efficiency.

Input current is sensed continuously by measuring the voltage across a dedicated current sense resistor or inductor DCR. This current sensing provides precision channel-current balancing, and per-phase overcurrent protection. A separate totalizing current limit function provides overcurrent protection for all the phases combined. This two-stage current protection provides maximum performance and circuit reliability.

The ISL78225 can also provide for input voltage tracking via the VREF2 pin. The comparison reference voltage will be the lower of the VREF2 pin or the internal 2V reference. By using a resistor network between VIN and VREF2 pin, the output voltage can track input voltage to limit the output power during automotive cranking conditions.

The ISL78225 can output a clock signal for expanding operation to 8 phases, which offers high system flexibility. The threshold-sensitive enable input is available to accurately coordinate the start-up of the ISL78225 with any other voltage rail.

## Features

- Peak current mode PWM control with adjustable slope compensation
- Precision resistor/DCR current sensing
- 2-, 3- or 4-phase operation
- Adjustable phase dropping/diode emulation/pulse skipping for high efficiency at light load
- Phase dropping facilitated with companion FET driver ISL78420 (featuring tri-level input control)
- Adjustable switching frequency or external synchronization from 75kHz up to 1MHz per phase
- Over-temperature/overvoltage protection
- 2V ±1.0% internal reference
- Pb-free 44 Ld 10x10 EP-TQFP (RoHS compliant)
- -40 °C to +125 °C operating temperature range
- AEC-Q100 qualified

## Applications

- Automotive power supplies
  - Start/stop DC/DC converter
  - Electronic power steering systems (EPAS)
  - Fuel pumps
  - Injection system
- Audio trunk amplifier power supplies
- Telecom and industrial power supplies

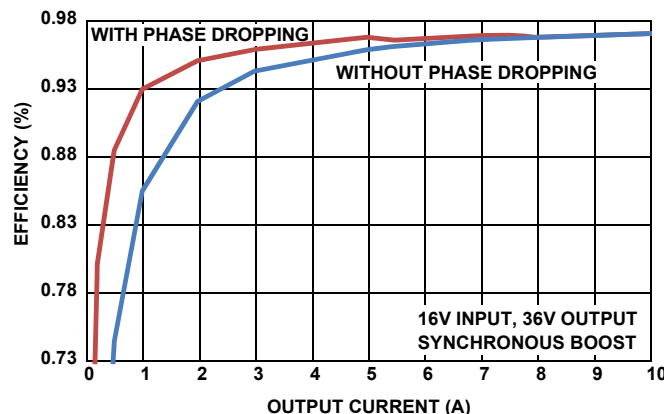
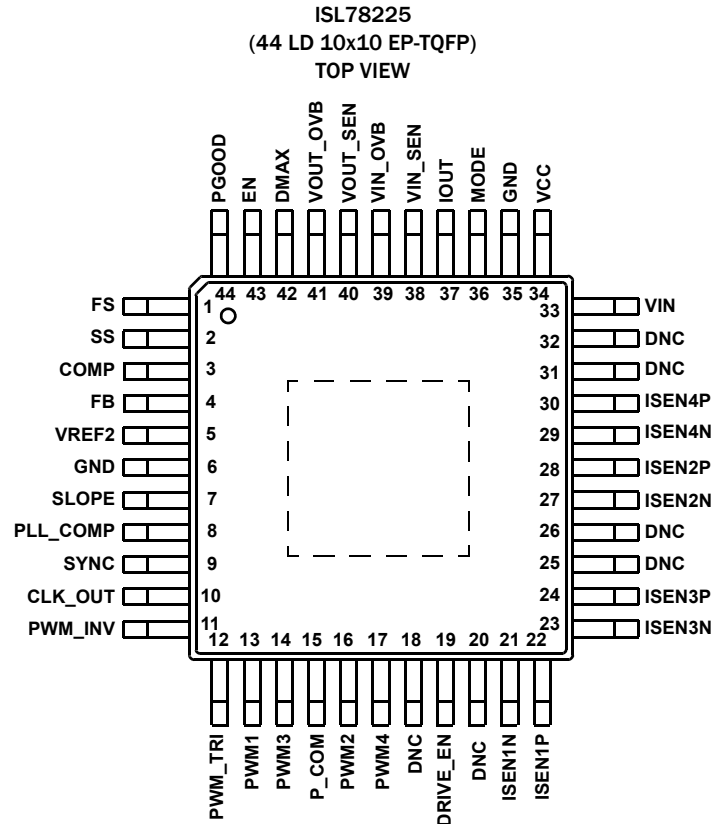


FIGURE 1. EFFICIENCY vs OUTPUT CURRENT vs PHASE DROPPING MODE

# ISL78225

## Pin Configuration



## Functional Pin Descriptions

PIN #	SYMBOL	DESCRIPTION
1	FS	A resistor placed from FS to ground will set the PWM switching frequency.
2	SS	Use this pin to set up the desired soft-start time. A capacitor placed from SS to ground will set up the soft-start ramp rate and in turn determine the soft-start time.
3	COMP	The output of the transconductance amplifier. Place the compensation network between COMP and GND for compensation loop design.
4	FB	The inverting input of the transconductance amplifier. A resistor network should be placed between the FB pin and output rail to set the output voltage.
5	VREF2	External reference input to the transconductance amplifier. When the VREF2 pin voltage drops below 1.8V, the internal reference will be shifted from 2V to VREF2. The VREF2 voltage can be programmed by connecting a resistor divider network from VCC or VIN.
6	GND	Bias and reference ground for the IC.
7	SLOPE	This pin programs the slope of the internal slope compensation. A resistor should be connected from the SLOPE pin to GND. Please refer to <a href="#">"Adjustable Slope Compensation" on page 18</a> for how to choose the resistor value.
8	PLL_COMP	This pin serves as the compensation node for the PLL. A second order passive loop filter connected between PLL_COMP pin and GND compensates the PLL feedback loop.
9	SYNC	Frequency synchronization pin. Connecting the SYNC pin to an external square pulse waveform (typically 20% to 80% duty cycle) will synchronize the converter switching frequency to the fundamental frequency of the input waveform. If SYNC function is not used, tie the SYNC pin to GND. A 500nA current source is connected internally to pull-down the SYNC pin if it is left open.
10	CLK_OUT	This pin provides a clock signal to synchronize with another ISL78225. This provides scalability and flexibility. The rising edge signal on the CLKOUT pin is in phase with the leading edge of the PWM1 signal.
11	PWM_INV	This pin determines the polarity of the PWM output signal. Pulling this pin to GND will force normal operation with inverting MOSFET drivers. Pulling this pin to VCC will invert the PWM signal for operation with non-inverting MOSFET drivers. This function provides the flexibility for the ISL78225 to work with different drivers.

# ISL78225

## Functional Pin Descriptions (Continued)

PIN #	SYMBOL	DESCRIPTION
12	PWM_TRI	This pin enables the tri-level of the PWM output signal. Pulling this pin to GND forces the PWM output to be traditional two level logic. Pulling the PWM_TRI pin to VCC will enable tri-level PWM signals, then the PWM output can be at the 2.5V tri-level condition.
13, 14, 16, 17	PWM1, PWM3, PWM2, PWM4	Pulse width modulation outputs. Connect these pins to the PWM input pins of the external driver ICs. The number of active channels is determined by the state of PWM3, PWM4. For 2-phase operation, connect PWM3 to VCC; similarly, connect PWM4 to VCC for 3-phase operation.
15	P_COM	PWM Compensation pin; connect this pin through resistor to VCC.
19	DRIVE_EN	Driver enable output pin. This pin is connected to the enable pin of MOSFET drivers.
18, 20, 25, 26, 31, 32	DNC	Do Not Connect - These pins must be left floating.
21, 22, 23, 24, 27, 28, 29, 30	ISEN1N, ISEN1P, ISEN3N, ISEN3P, ISEN2N, ISEN2P, ISEN4N, ISEN4P	The ISENxP and ISENxN pins are current sense inputs to individual differential amplifiers. The sensed current is used as a reference for current mode control and overcurrent protection. Inactive channels should have their respective ISENxN pins connected to VIN and ISENxP pins left open or tied to VIN. The ISL78225 utilizes external sense resistor current sensing method or Inductor DCR sensing method.
33	VIN	Connect input rail to this pin. This pin is connected to the internal linear regulator, generating the power necessary to operate the chip. It is recommended the DC voltage applied to the VIN pin does not exceed 40V.
34	VCC	This pin is the output of the internal linear regulator that supplies the bias and gate voltage for the IC. A minimum 4.7µF decoupling ceramic capacitor should be connected from VCC to GND. The controller starts to operate when the voltage on this pin exceeds the rising POR threshold and shuts down when the voltage on this pin drops below the falling POR threshold. This pin can be connected directly to a +5V supply if VIN falls below 5.6V.
35	GND	Bias and reference ground for the IC.
36	MODE	Mode selection pin. Pull this pin to logic HIGH for forced PWM mode; phase dropping/adding is inactive during forced PWM mode. Connecting a resistor from MODE pin to GND will initialize phase dropping mode (PDM). In PDM, a 5µA fixed reference current will flow out of the MODE pin, and the phase dropping threshold can be programmed by adjusting the resistor value.
37	IOUT	IOUT is the current monitor pin with an additional OCP adjustment function. An RC network needs to be placed between IOUT and GND to ensure the proper operation. The voltage at the IOUT pin will be proportional to the input current. If the voltage on the IOUT pin is higher than 2V, ISL78225 will go into overcurrent protection mode and the chip will latch off until the EN pin is toggled.
38	VIN_SEN	The VIN_SEN pin is used for sensing the VIN voltage. A resistor divider network is connected between this pin and boost power stage input voltage rail. When the voltage on VIN_SEN is greater than 2.4V, the VIN_OVB pin will be pulled low to indicate an input overvoltage condition. The threshold voltage can be programmed by changing the divider ratios.
39	VIN_OVB	The VIN_OVB pin is an open-drain indicator of an overvoltage condition at the input. When the voltage on the VIN_SEN pin is greater than the 2.4V threshold, the VIN_OVB pin will be pulled low.
40	VOUT_SEN	The VOUT_SEN pin is used for sensing the output voltage; a resistor divider network is connected between this pin and output voltage rail. When the voltage on VOUT_SEN pin is greater than 2.4V, VOUT_OVB pin will be pulled low, indicating an output overvoltage condition.
41	VOUT_OVB	The VOUT_OVB pin is an open-drain indicator of an overvoltage condition at the output. When the voltage on the VOUT_SEN pin is greater than the 2.4V threshold, the VOUT_OVB pin will be pulled low and latched, toggling VIN or EN will reset the latch.
42	DMAX	DMAX pin sets the maximum duty cycle of the PWM modulator. If the DMAX pin is connected to GND, the maximum duty cycle will be set to 91.7%. Floating this pin will limit the duty cycle to 75% and connecting the DMAX pin to VCC will limit the duty cycle to 83.3%.
43	EN	This pin is a threshold-sensitive enable input for the controller. Connecting the power supply input to EN pin through an appropriate resistor divider provides a means to synchronize power-up of the controller and the MOSFET driver ICs. When EN pin is driven above 1.2V, the ISL78225 is active depending on status of the internal POR, and pending fault states. Driving the EN pin below 1.1V will clear all fault states and the ISL78225 will soft-start when re-enabled.
44	PGOOD	This pin is used as an indication of the end of soft-start and output regulation. It is an open-drain logic output that is low impedance until the soft-start is completed. It will be pulled low again once the UV/OV/OC/OT conditions are detected.
	Exposed Pad	It is recommended to solder the Exposed Pad to the ground plane.

# ISL78225

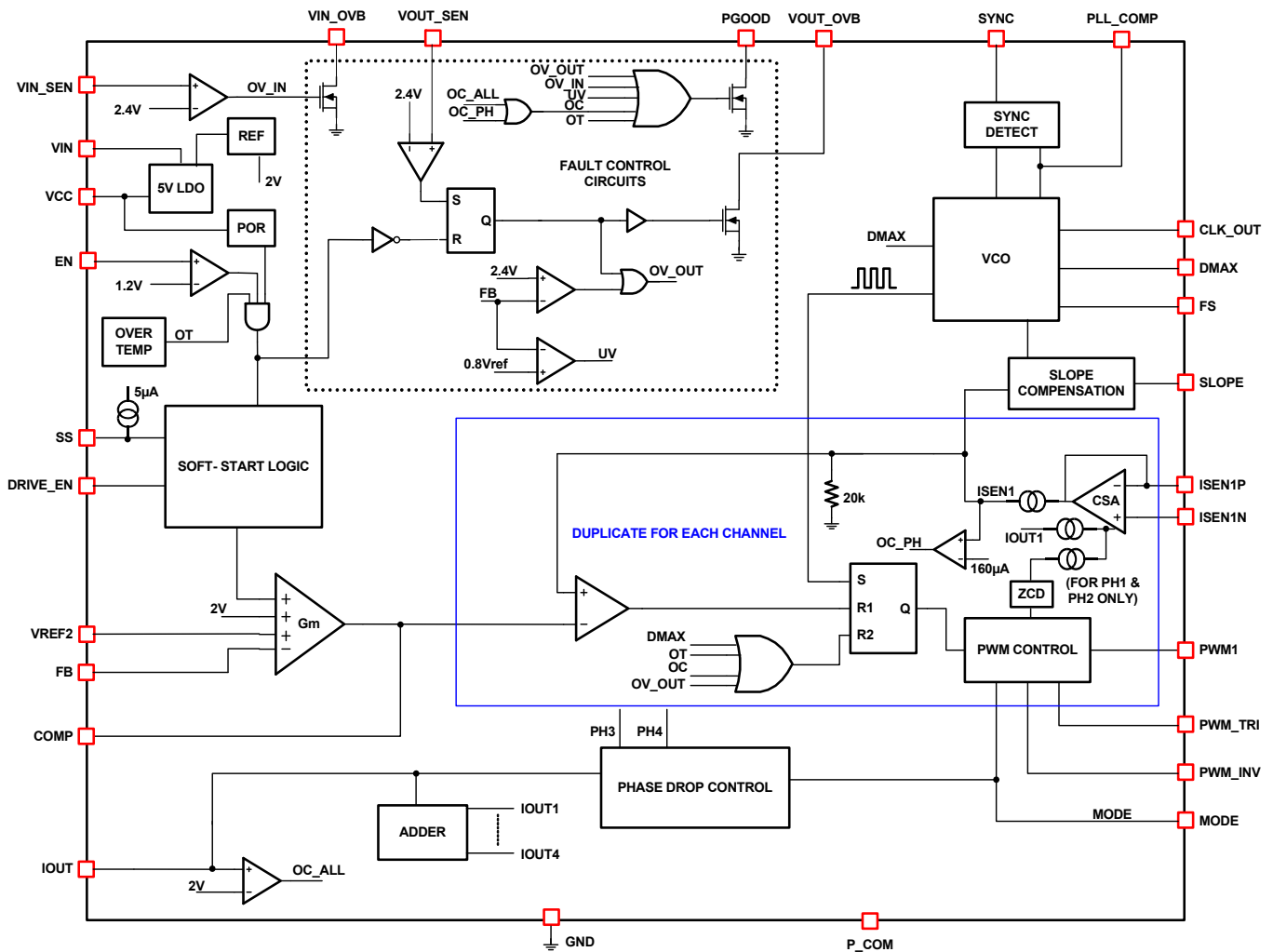
## Ordering Information

PART NUMBER (Notes 1, 2, 3)	PART MARKING	TEMP RANGE (°C)	PACKAGE (Pb-free)	PKG. DWG. #
ISL78225ANEZ	ISL78225 ANEZ	-40 to +125	44 Ld EP-TQFP	Q44.10x10A

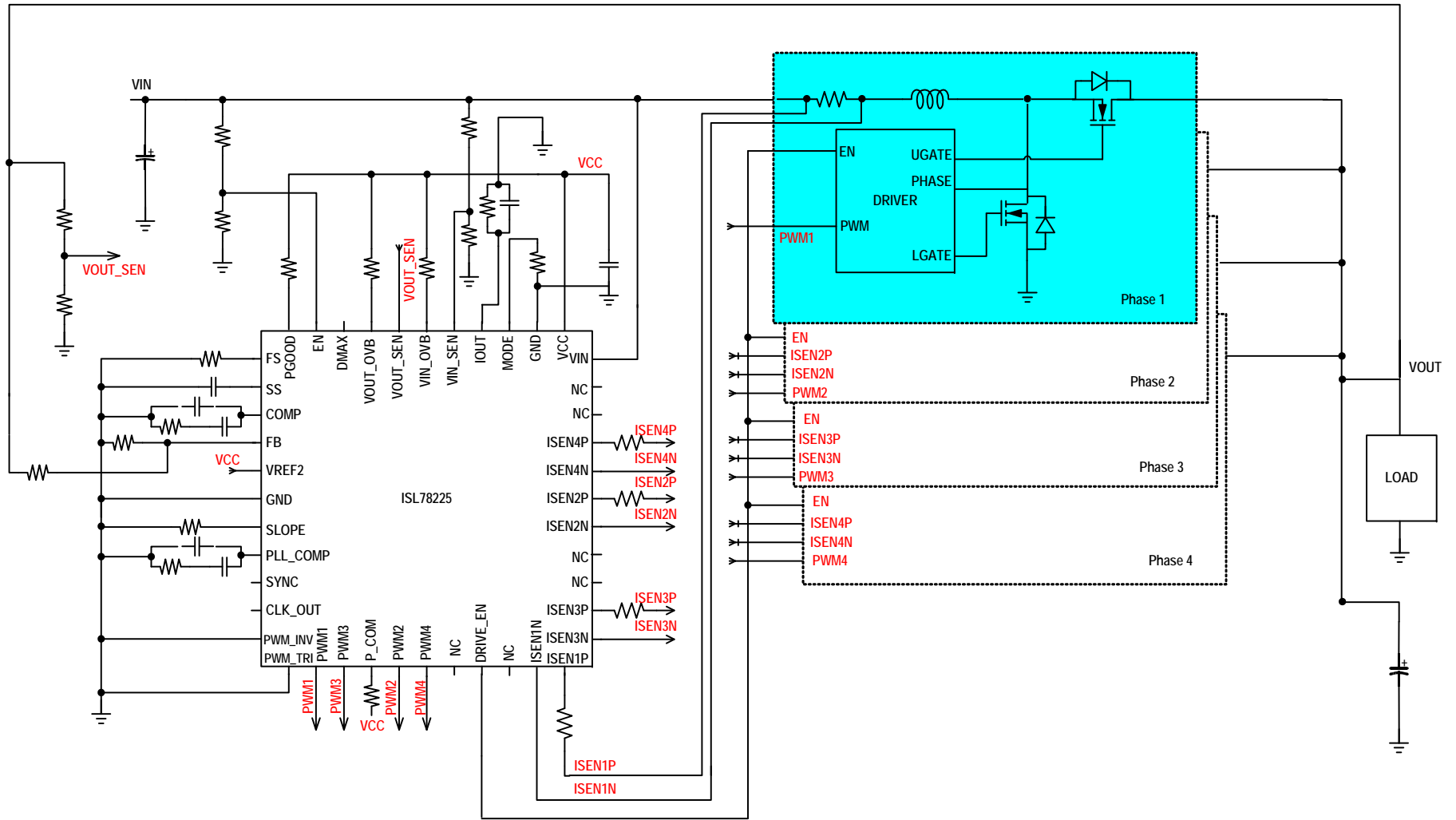
### NOTES:

1. Add "-T\*" suffix for tape and reel. Please refer to [TB347](#) for details on reel specifications.
2. These Intersil Pb-free plastic packaged products employ special Pb-free material sets, molding compounds/die attach materials, and 100% matte tin plate plus anneal (e3 termination finish, which is RoHS compliant and compatible with both SnPb and Pb-free soldering operations). Intersil Pb-free products are MSL classified at Pb-free peak reflow temperatures that meet or exceed the Pb-free requirements of IPC/JEDEC J STD-020.
3. For Moisture Sensitivity Level (MSL), please see device information page for [ISL78225](#). For more information on MSL please see techbrief [TB363](#).

## ISL78225 Block Diagram



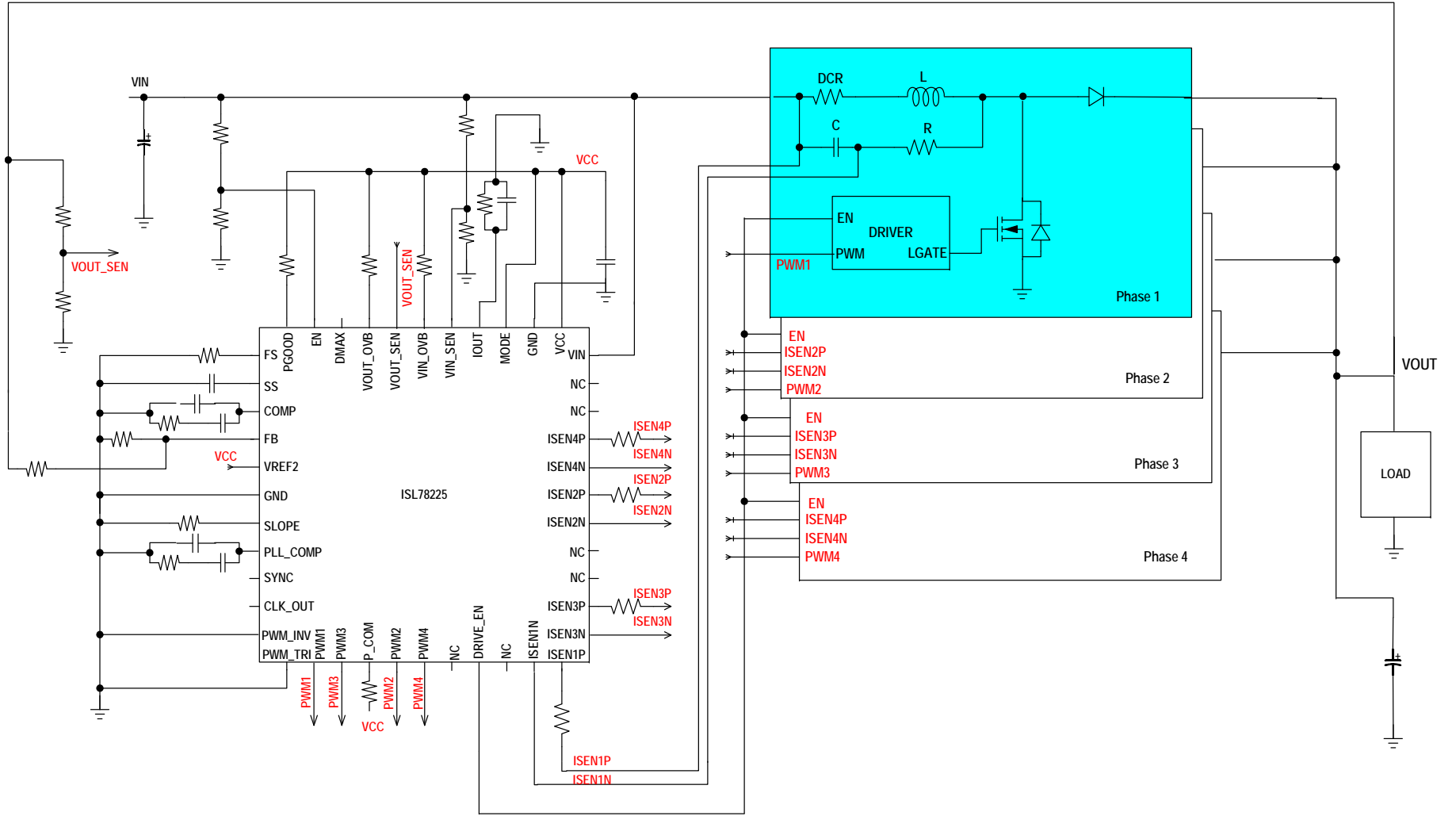
# Typical Application 1: 4-Phase Synchronous Boost Converter with Sense Resistor Current Sensing



Note: Please see ISL78420 for an Automotive Qualified 100V synchronous boost driver.

ISL78225

# Typical Application 2: 4-Phase Standard Boost Converter with DCR Current Sensing



ISL78225

# ISL78225

## Absolute Maximum Ratings

Supply Voltage, VIN	GND -0.3V to +45V
All ISEN_ Pins	VIN -5V to VIN +0.3V
VCC	GND -0.3V to +6V
All Other Pins	GND -0.3V to VCC +0.3V
ESD Rating	
Human Body Model (Tested per JESD22-A114E)	2.5kV
Machine Model (Tested per JESD-A115-A)	200V
Charge Device Model (Tested per AEC-Q100-11)	1.5kV
Latch Up (Tested per JESD78B, Class II, Level A)	100mA

## Thermal Information

Thermal Resistance (Typical)	$\theta_{JA}$ (°C/W)	$\theta_{JC}$ (°C/W)
44 Ld EP-TQFP Package (Notes 4, 5)	28	2.5
Maximum Junction Temperature	+150°C	
Maximum Storage Temperature Range	-65°C to +150°C	
Pb-free reflow profile	see <a href="#">TB493</a>	

## Operating Conditions

Voltage at VIN	+5.6V to +40V
All ISEN_ Pins	VIN-5V to VIN+0.3V
Voltage at VCC	+5V ±5%
Ambient Temperature (Auto)	-40°C to +125°C

**CAUTION:** Do not operate at or near the maximum ratings listed for extended periods of time. Exposure to such conditions may adversely impact product reliability and result in failures not covered by warranty.

### NOTES:

- $\theta_{JA}$  is measured in free air with the component mounted on a high effective thermal conductivity test board with “direct attach” features. See Tech Brief [TB379](#).
- For  $\theta_{JC}$ , the “case temp” location is the center of the exposed metal pad on the package underside.

**Electrical Specifications** Operating Conditions: VIN = 12V, TA = -40°C to +125°C, unless otherwise specified. Typical specifications are at TA = +25°C. **Boldface limits apply across the operating temperature range, -40°C to +125°C.**

PARAMETER	TEST CONDITIONS	MIN (Note 6)	TYP	MAX (Note 6)	UNITS
<b>SUPPLY INPUT</b>					
Input Voltage Range		<b>5.6</b>	12	<b>40</b>	V
Input Supply Current (Normal Mode)	VIN = 12V, RFS = 158kΩ (For fSW = 250kHz), EN = 5V		8	<b>12</b>	mA
Input Supply Current (Shutdown Mode)	VIN = 12V, RFS = 158kΩ (For fSW = 250kHz), EN = 0V			<b>10</b>	μA
<b>INTERNAL LINEAR REGULATOR</b>					
LDO Output Voltage (VCC Pin)	VIN > 5.6V, CL = 4.7μF from VCC to GND, I_VCC < 50mA	<b>4.75</b>	5	<b>5.25</b>	V
LDO Current Limit (VCC pin)	VCC = 3V, CL = 4.7μF from VCC to GND		200 (Note 7)		mA
<b>POWER-ON RESET (POR) AND ENABLE</b>					
POR Threshold	VCC Rising	<b>4.4</b>	4.5	<b>4.6</b>	V
	VCC Falling	<b>4.1</b>	4.2	<b>4.3</b>	V
EN Threshold	Rising	<b>1.1</b>	1.2	<b>1.3</b>	V
	Hysteresis		70		mV
<b>OSCILLATOR</b>					
Accuracy of Switching Frequency Setting	RFS = 158kΩ from FS to GND	<b>225</b>	250	<b>275</b>	kHz
Adjustment Range of Switching Frequency		<b>75</b>		<b>1000</b>	kHz
FS pin voltage			1		V
<b>SOFT-START</b>					
Soft-Start Current	CSS = 2.2nF from SS to GND	<b>4</b>	5	<b>6</b>	μA
Soft-Start Prebias Voltage Range		<b>0</b>		<b>2</b>	V
Soft-Start Prebias Voltage Accuracy	VFB = 500mV	<b>-25</b>		<b>25</b>	mV
Soft-Start Clamp Voltage			3.4		V
<b>REFERENCE VOLTAGE</b>					
System Accuracy	-40°C to +125°C, measure at FB pin, VREF2 > 2.5V	<b>1.98</b>	2	<b>2.02</b>	V
FB Pin Input Bias Current	VFB = 2V, VREF2 > 2.5V	<b>-1</b>		<b>1</b>	μA
VREF2 Pin Input Bias Current	VREF2 = 1.6V	<b>-1</b>		<b>1</b>	μA
VREF2 External Reference Voltage Range		<b>0.7</b>		<b>1.8</b>	V

# ISL78225

**Electrical Specifications** Operating Conditions:  $V_{IN} = 12V$ ,  $T_A = -40^\circ C$  to  $+125^\circ C$ , unless otherwise specified. Typical specifications are at  $T_A = +25^\circ C$ . **Boldface limits apply across the operating temperature range,  $-40^\circ C$  to  $+125^\circ C$ .** (Continued)

PARAMETER	TEST CONDITIONS	MIN (Note 6)	TYP	MAX (Note 6)	UNITS
V <sub>REF2</sub> External Reference Voltage Accuracy	-40 °C to +125 °C, measure at FB pin, V <sub>REF2</sub> = 1.8V	<b>-1</b>		<b>1</b>	%
	-40 °C to +125 °C, measure at FB pin, V <sub>REF2</sub> = 0.7V	<b>-1.5</b>		<b>1.5</b>	
<b>ERROR AMPLIFIER</b>					
Transconductance Gain			2		mS
Output Impedance			5		MΩ
Unity Gain Bandwidth	C <sub>COMP</sub> = 100pF from COMP pin to GND		11		MHz
Slew Rate	C <sub>COMP</sub> = 100pF from COMP pin to GND		2.5		V/μs
Output Current Capability			±300		μA
Maximum Output Voltage		<b>3.5</b>			V
Minimum Output Voltage				<b>0.5</b>	V
<b>PWM CORE</b>					
Duty Cycle Matching	I <sub>ISENxP</sub> = 60μA, R <sub>SLOPE</sub> = 30.1k, f <sub>SW</sub> = 250kHz, V <sub>COMP</sub> = 2V, 4-phase, T <sub>A</sub> = +25 °C	-6		6	%
Zero Crossing Detection (ZCD) Threshold for PWM1/PWM2	R <sub>SEN1, 2</sub> = 750Ω		3		mV
Leading Edge Blanking (Audio Mode)	V <sub>MODE</sub> = VCC, V <sub>PWM_TRI</sub> = VCC, V <sub>COMP</sub> = 0.5V		T <sub>s</sub> /12 (Note 8)		ns
Leading Edge Blanking (Other Mode)	V <sub>MODE</sub> < 4V or V <sub>PWM_TRI</sub> = GND, V <sub>COMP</sub> = 0.5V		130		ns
SLOPE pin Voltage		<b>385</b>	515	<b>650</b>	mV
ISENxN Bias Current	V <sub>ISENxN</sub> = V <sub>ISENxP</sub> from V <sub>IN</sub> - 1V to V <sub>IN</sub>		0.3		μA
ISENxN, ISENxP Common Mode Voltage Range	V <sub>IN</sub> > 12V	<b>V<sub>IN</sub>-5</b>		<b>V<sub>IN</sub></b>	V
<b>PWMx OUTPUT</b>					
PWMx Output Voltage LOW	I <sub>PWMx</sub> = -500μA			<b>0.5</b>	V
PWMx Output Voltage HIGH	I <sub>PWMx</sub> = +500μA	<b>4.5</b>			V
PWMx Tri-State Output Voltage	I <sub>PWMx</sub> = ±100μA	<b>2.3</b>	2.5	<b>2.7</b>	V
PWMx Pull-Down Current	During Phase Detection Time (t <sub>3</sub> on Figure 14), V <sub>PWM</sub> = 1V		50		μA
PWM3, PWM4 Disable Threshold	During Phase Detection Time (t <sub>3</sub> on Figure 14)	<b>3.5</b>			V
<b>PHASE ADDING/DROPPING</b>					
MODE Pull-up Current	V <sub>MODE</sub> = 2.4V	<b>4.2</b>	5.1	<b>5.6</b>	μA
V <sub>IOUT</sub> Threshold, 4-phase, Drop Phase 4	V <sub>MODE</sub> = 1.6V	<b>1.175</b>	1.2	<b>1.225</b>	V
V <sub>IOUT</sub> Threshold, 4-phase, Drop Phase 3	V <sub>MODE</sub> = 1.6V	<b>0.775</b>	0.8	<b>0.825</b>	V
V <sub>IOUT</sub> Threshold, 3-phase, Drop Phase 3	V <sub>MODE</sub> = 1.8V	<b>1.175</b>	1.2	<b>1.225</b>	V
V <sub>IOUT</sub> Threshold Hysteresis			40		mV
Phase Drop Disable Threshold at MODE pin		<b>3.5</b>	4		V
<b>CURRENT SENSE AND OVERCURRENT PROTECTION</b>					
Peak Current Limit for Individual Channel			160		μA
IOUT Current Tolerance	I <sub>ISENxP</sub> = 60μA, 4-phase	<b>173</b>	187	<b>200</b>	μA
Maximum Voltage Limit at IOUT Pin			2.0		V
<b>DMAX PIN</b>					
DMAX Threshold, High		<b>3</b>			V
DMAX Threshold, Low				<b>2</b>	V
DMAX Floating Voltage	During Phase Detection Time (t <sub>3</sub> on Figure 14)		2.5		V
Max Duty Cycle, DMAX = GND	V <sub>COMP</sub> = 3.5V		91.7		%

# ISL78225

**Electrical Specifications** Operating Conditions:  $V_{IN} = 12V$ ,  $T_A = -40^{\circ}C$  to  $+125^{\circ}C$ , unless otherwise specified. Typical specifications are at  $T_A = +25^{\circ}C$ . **Boldface limits apply across the operating temperature range,  $-40^{\circ}C$  to  $+125^{\circ}C$ .** (Continued)

PARAMETER	TEST CONDITIONS	MIN (Note 6)	TYP	MAX (Note 6)	UNITS
Max Duty Cycle, DMAX = FLOAT	$V_{COMP} = 3.5V$		75		%
Max Duty Cycle, DMAX = VCC	$V_{COMP} = 3.5V$		83.3		%
DMAX Source/Sink Current	During $t_3$ on <a href="#">Figure 14</a>		50		$\mu A$
DMAX Source/Sink Current	After $t_3$ on <a href="#">Figure 14</a>	<b>-1</b>		<b>1</b>	$\mu A$
<b>PWM_TRI, PWM_INV, SYNC PIN DIGITAL LOGIC</b>					
Input Leakage Current	$EN < 1V$	<b>-1</b>		<b>1</b>	$\mu A$
Input Pull-Down Current	$EN > 2V$ , Pin Voltage = 2.1V		0.4	<b>1.5</b>	$\mu A$
Logic Input Low				<b>0.8</b>	V
Logic Input High		<b>2</b>			V
<b>DRIVE_EN, CLK_OUT PIN</b>					
Output High Voltage	$I_{DRIVE\_EN} = 500\mu A$	<b>4.5</b>			V
Output Low Voltage	$I_{DRIVE\_EN} = -500\mu A$			<b>0.5</b>	V
<b>VOUT SENSE PIN</b>					
Input Leakage Current		<b>-1</b>		<b>1</b>	$\mu A$
Threshold Voltage		<b>2.325</b>	2.4	<b>2.475</b>	V
<b>VIN SENSE PIN</b>					
Input Leakage Current		<b>-1</b>		<b>1</b>	$\mu A$
Threshold Voltage		<b>2.325</b>	2.4	<b>2.475</b>	V
Hysteresis			110		mV
<b>VOUT_OVB, VIN_OVB PIN</b>					
Leakage Current	$V_{PIN} = HIGH$			<b>1</b>	$\mu A$
Low Voltage	$I_{PIN} = 0.5mA$			<b>0.2</b>	V
<b>POWER GOOD MONITOR PIN</b>					
PGOOD Leakage Current	PGOOD = HIGH			<b>1</b>	$\mu A$
PGOOD Low Voltage	$I_{PGOOD} = 0.5mA$			<b>0.2</b>	V
Overvoltage Rising Trip Point	$V_{FB}/V_{REF}$ , $V_{REF2} > 2.5V$	<b>117</b>	120	<b>123</b>	%
Overvoltage Rising Hysteresis	$V_{FB}/V_{REF}$ , $V_{REF2} > 2.5V$		5		%
Undervoltage Rising Trip Point	$V_{FB}/V_{REF}$ , $V_{REF2} > 2.5V$	<b>77</b>	80	<b>83</b>	%
Undervoltage Rising Hysteresis	$V_{FB}/V_{REF}$ , $V_{REF2} > 2.5V$		5		%
<b>OVER-TEMPERATURE PROTECTION</b>					
Over-Temperature Trip Point			160		$^{\circ}C$
Over-Temperature Recovery Threshold			145		$^{\circ}C$

**NOTES:**

- Parameters with MIN and/or MAX limits are 100% tested at  $+25^{\circ}C$ , unless otherwise noted. Compliance to datasheet limits is assured by one or more methods: production test, characterization and/or design.
- Please refer to LDO current derating curve in "[Internal 5V LDO Output Current Limit Derating Curves](#)" on [page 19](#) for  $I_{MAX}$  vs  $V_{IN}$ .
- $T_S$  = Switching Period =  $1/(\text{switching frequency})$ .

## Typical Performance Curves

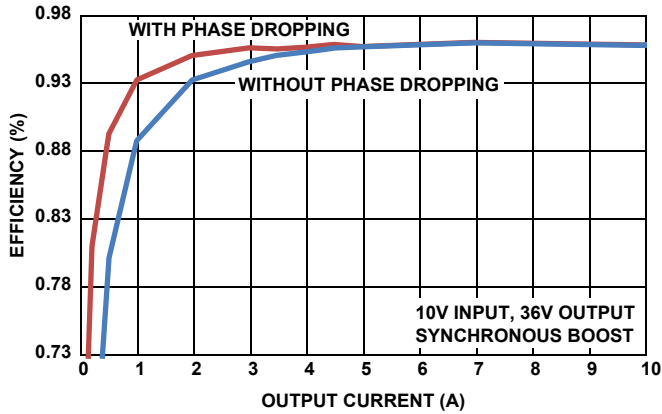


FIGURE 2. 10V INPUT EFFICIENCY vs OUTPUT CURRENT vs PHASE DROPPING MODE

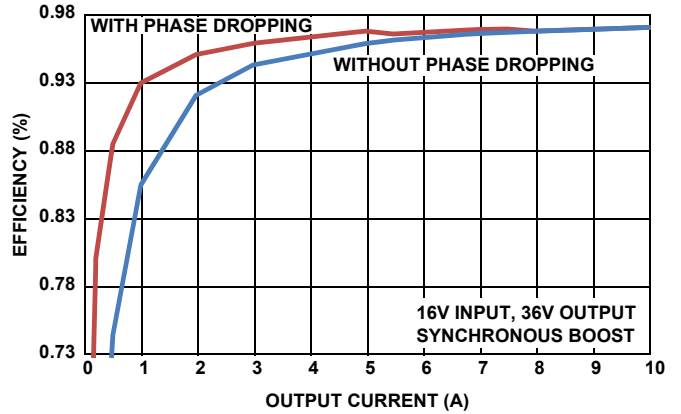


FIGURE 3. 16V INPUT EFFICIENCY vs OUTPUT CURRENT vs PHASE DROPPING MODE

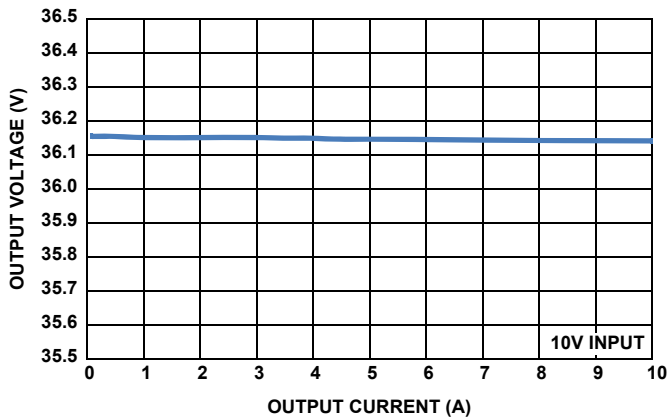


FIGURE 4. OUTPUT VOLTAGE vs OUTPUT CURRENT

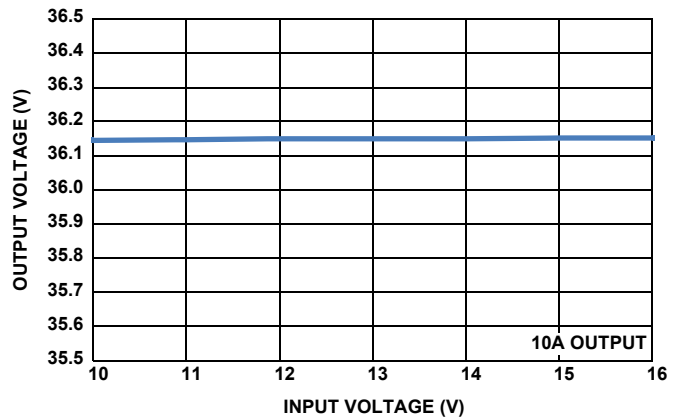


FIGURE 5. OUTPUT VOLTAGE vs INPUT VOLTAGE

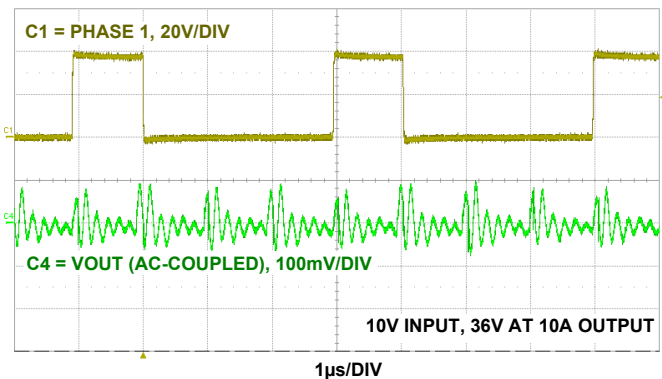


FIGURE 6. FULL LOAD OUTPUT RIPPLE

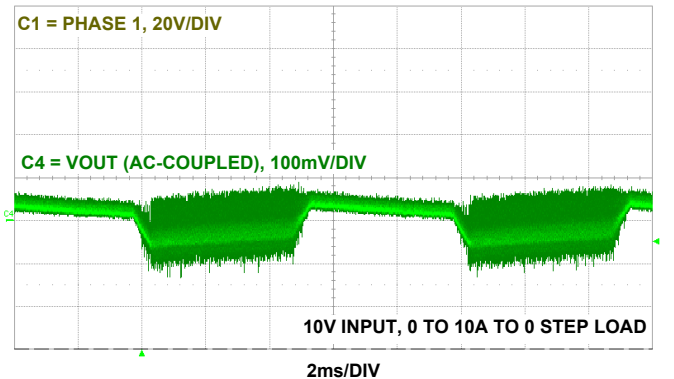


FIGURE 7. FULL STEP LOAD TRANSIENT

## Typical Performance Curves (Continued)

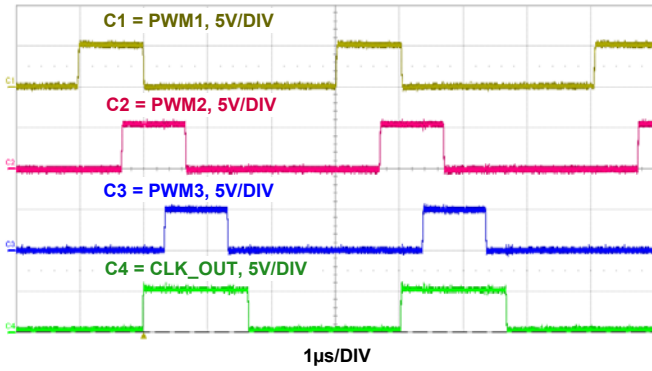


FIGURE 8. WAVEFORMS WITH PWM\_INV = GND

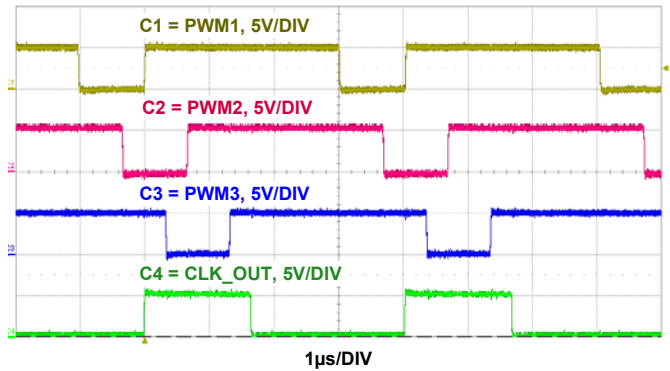


FIGURE 9. WAVEFORMS WITH PWM\_INV = V<sub>CC</sub>

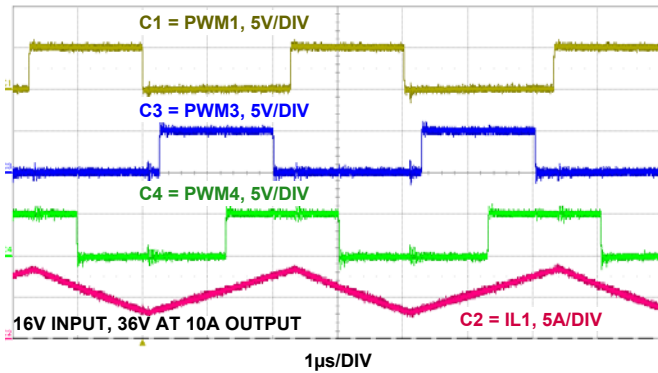


FIGURE 10. FULL LOAD WAVEFORMS

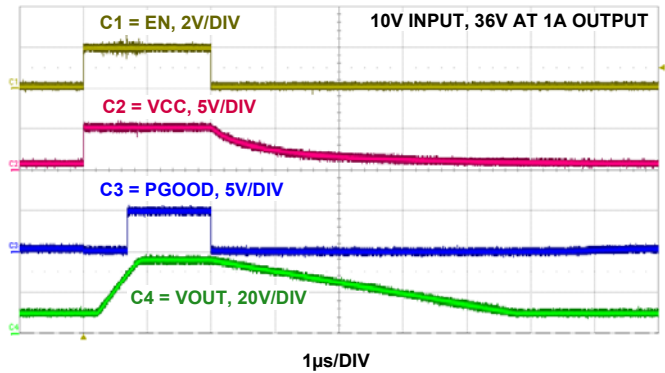


FIGURE 11. ENABLE/DISABLE WAVEFORMS

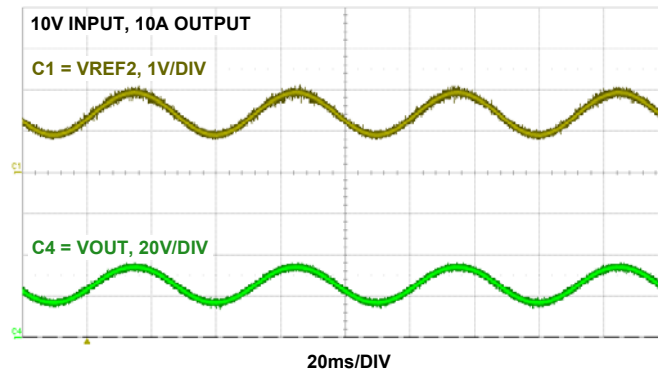


FIGURE 12. MODULATING VREF2 INPUT

## Operation Description

### Multiphase Power Conversion

The technical challenges associated with producing a single-phase converter that is both cost-effective and thermally viable for high power applications have forced a change to the cost-saving approach of multiphase solution. The ISL78225 controller helps reduce the complexity of implementation by integrating vital functions and requiring minimal output components.

### Interleaving

The switching of each channel in a multiphase converter is timed to be symmetrically out-of-phase with each of the other channels. Take a 3-phase converter for example; each channel switches 1/3 cycle after the previous channel and 1/3 cycle before the following channel. As a result, the three-phase converter has a combined ripple frequency three times greater than the ripple frequency of any one phase. In addition, the peak-to-peak amplitude of the combined inductor current is reduced in proportion to the number of phases (Equations 1 and 2). The increased ripple frequency and the lower ripple amplitude mean that the designer can use less per-channel inductance and lower total input and output capacitance for any performance specification.

Figure 13 illustrates the multiplicative effect on input ripple current. The three channel currents ( $I_{L1}$ ,  $I_{L2}$ , and  $I_{L3}$ ) combine to form the AC ripple current and the DC input current. The ripple component has three times the ripple frequency of each individual channel current. Each PWM pulse is triggered 1/3 of a cycle after the start of the PWM pulse of the previous phase.

To understand the reduction of the ripple current amplitude in the multiphase circuit, examine the equation representing an individual channel's peak-to-peak inductor current.

In Equation 1,  $V_{IN}$  and  $V_{OUT}$  are the input and the output voltages respectively,  $L$  is the single-channel inductor value, and  $f_{SW}$  is the switching frequency.

$$I_{P-P} = \frac{(V_{OUT} - V_{IN}) V_{IN}}{L f_{SW} V_{OUT}} \quad (\text{EQ. 1})$$

The input capacitors conduct the ripple component of the inductor current. In the case of multiphase converters, the capacitor current is the sum of the ripple currents from each of the individual channels. Compare Equation 1 to the expression for the peak-to-peak current after the summation of  $N$  symmetrically phase-shifted inductor currents in Equation 2. Peak-to-peak ripple current decreases by an amount proportional to the number of channels. Reducing the inductor ripple current allows the designer to use fewer or less costly input capacitors.

$$I_{C(P-P)} = \frac{(V_{OUT} - N V_{IN}) V_{IN}}{L f_{SW} V_{OUT}} \quad (\text{EQ. 2})$$

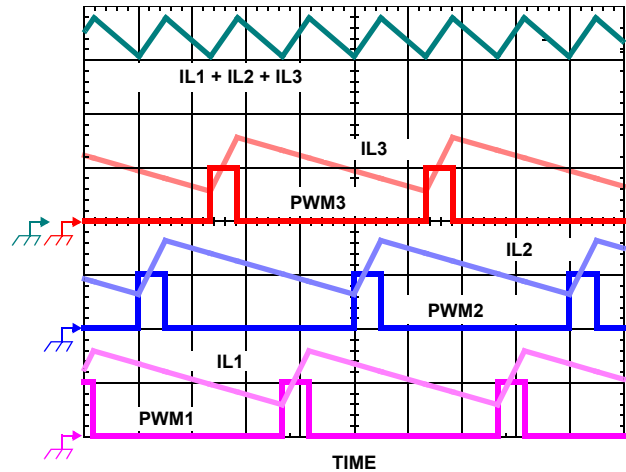


FIGURE 13. PWM AND INDUCTOR-CURRENT WAVEFORMS FOR 3-PHASE CONVERTER

### PWM Operations

The timing of each channel is set by the total number of active channels. The default channel setting for the ISL78225 is 4, and the switching cycle is defined as the time between PWM pulse initiation signals of each channel. The cycle time of the pulse initiation signal is the inversion of the switching frequency set by the resistor between the FS pin and ground. The PWM signals command the MOSFET drivers to turn on/off the channel MOSFETs. Normal operation assumes PWM\_INV is tied to GND and inverting MOSFET drivers are used.

In the default 4-phase operation, the PWM2 pulse starts 1/4 of a cycle after PWM1, the PWM3 pulse starts 1/4 of a cycle after PWM2, and the PWM4 pulse starts 1/4 of a cycle after PWM3.

### Phase Selection

The ISL78225 can work in 1, 2, 3 or 4-phase configuration. Connecting the PWM4 to VCC selects 3-phase operation and the pulse times are spaced in 1/3 cycle increments. Connecting the PWM3 to VCC selects 2-phase operation and the pulse times are spaced in 1/2 cycle increments. For the unused ISENxN and ISENxP, a 1k resistor is recommended to connect ISENxN and ISENxP, and connect ISENxN to VIN.

## Modes of Operation

The different modes of operation will be determined by the voltage combinations of the MODE pin and the PWM\_TRI pin.

If automatic phase adding/dropping function is not needed, the MODE pin should be tied to VCC (Logic HIGH). If higher light-load efficiency is preferred, phase adding/dropping function could be implemented by connecting the MODE pin through a resistor to GND. A 5μA reference current will flow out of the MODE pin to generate corresponding  $V_{MODE}$ .  $V_{MODE}$  is used to compare with  $V_{IOUT}$  to determine the phase adding/dropping level.

When PWM\_TRI is tied to GND (Logic LOW), the PWM outputs will be 2-levels (i.e., 0V and 5V). When PWM\_TRI is pulled to VCC (Logic HIGH), apart from generating the 0V and 5V PWM signals, the PWM outputs can also generate 2.5V tri-level signal. The external driver can identify this tri-level signal and turn off both low side and high side output signals accordingly.

The truth table regarding  $V_{MODE}$  and  $V_{PWM\_TRI}$  for different modes of applications is summarized in [Table 1](#).

**TABLE 1. OPERATION MODE FOR DIFFERENT APPLICATIONS**

CASE	MODE	PWM_TRI	EXTERNAL DRIVER IDENTIFY 2.5V TRI-LEVEL SIGNAL?	APPLICATIONS
A	1	1	Yes	Synchronous boost for audio amplifier power supply. No phase drooping. Forced minimum ON pulses exists.
B	Analog	1	Yes	Applications that need improving light load efficiency (automatic phase drooping + cycle-by-cycle diode emulation + pulse skipping).
C	1	0	No	Applications that the external driver cannot identify tri-level signal; no phase drooping.
D	Analog	0	No	Applications that the external driver cannot identify tri-level signal, with improved light load efficiency (e.g., 6-phase non synchronous boost with phase drooping).

## Considerations for Audio Amplifier Power Supply Application

For multiphase boost converters used in audio amplifier applications, it is preferred to have the following features:

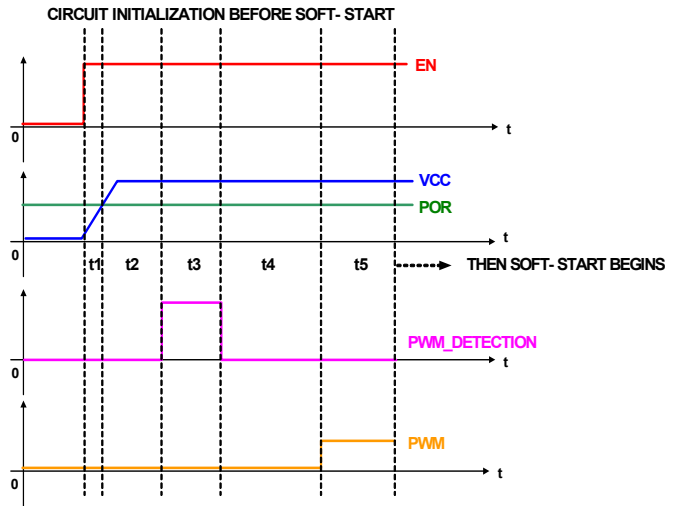
1. Automatic phase drooping function is NOT needed because the load is fast changing.
2. In car audio amplifier applications, the switching frequency is preferred to be fixed, such that it will not interfere with FM/AM band.
3. For synchronous boost, diode emulation is needed during start-up in order to prevent negative current dumping to the input side.
4. For synchronous boost, a maximum duty cycle limitation on the synchronous FET is preferred.

Based on the above mentioned “preferred features”, for audio amplifier applications, it does not need phase drooping/adding, but it needs a tri-state PWM signal if synchronous boost structure is used. Also, in order to limit the maximum duty cycle of the synchronous FET, the minimal turn on time of the active FET (Low side FET for boost structure) will be changed from fixed 130ns to variable time, which is 1/12 of the switching periods.

## Operation Initialization Before Soft-Start

Prior to converter initialization, proper conditions must exist on the enable inputs (EN pin) and VCC pin. When both conditions are met, the controller begins soft-start. Once the output voltage is within the proper window of operation,  $V_{PGOOD}$  is asserted logic high.

[Figure 14](#) shows the ISL78225 internal circuit functions before the soft-start begins.



**FIGURE 14. CIRCUIT INITIALIZATION BEFORE SOFT-START**

[Figure 14](#) shows there are 5x intervals before the soft-start is initialized. They are specified as  $t_1$ ,  $t_2$ ,  $t_3$ ,  $t_4$  and  $t_5$ , respectively. The descriptions for each time interval are as follows:

**Time  $t_1$ :** The enable comparator holds the ISL78225 in shutdown until the  $V_{EN}$  rises above 1.2V at the beginning of  $t_1$  time period. During  $t_1$ ,  $V_{VCC}$  will gradually increase until it reaches the internal power-on reset (POR) rising threshold. Then the system enters  $t_2$ .

**Time  $t_2$ :** During  $t_2$  time, the device initialization occurs. The time duration for  $t_2$  is typically from 60 $\mu$ s to 100 $\mu$ s.

**Time  $t_3$ :** After the self-calibration finishes, the internal PWM detection signal will be asserted and the system enters the  $t_3$  period. During  $t_3$ , the ISL78225 will detect the voltage on each PWM pin to determine the active phase number. If PWM1 or PWM2 is accidentally pulled to VCC, the chip will be latched off and wait for power recycling. The time duration for  $t_3$  is fixed to around 30 $\mu$ s.

**Time  $t_4$ :** When the internal PWM detection signal is released, the system enters  $t_4$  period. During  $t_4$  period, the ISL78225 will wait until the internal PLL circuits are locked to the preset oscillator frequency. When PLL locking is achieved, the oscillator will generate output at the CLK\_OUT pin. The time duration for  $t_4$  is typically around 0.5ms, depending on the PLL\_COMP pin configuration.

**Time  $t_5$ :** After the PLL locks the frequency, the system enters the  $t_5$  period. During  $t_5$ , the PWM outputs are held in a high-impedance state (if  $V_{PWM\_TRI} = 1$ ) or logic low (if  $V_{PWM\_TRI} = 0$ ), and the  $V_{DRIVE\_EN}$  is logic LOW to assure the external drivers remain off. The ISL78225 has one unique feature to prebias the  $V_{SS}$  based on  $V_{FB}$  information during this time. The duration time for  $t_5$  is around 50 $\mu$ s.

After  $t_5$ , the soft-start process will begin. The following section will discuss the soft-start process in detail for different applications.

## Soft-Start Process for Different Modes (Refer to Table 1)

At the beginning of soft-start, the SS pin voltage will start ramping up from a voltage equal to the FB voltage. The soft-start period ends when the SS pin voltage reaches the lower power-good threshold that is 80% of the lower value of VREF2 or 2V.

### Case A ( $V_{MODE} = VCC$ , $V_{PWM\_TRI} = VCC$ )

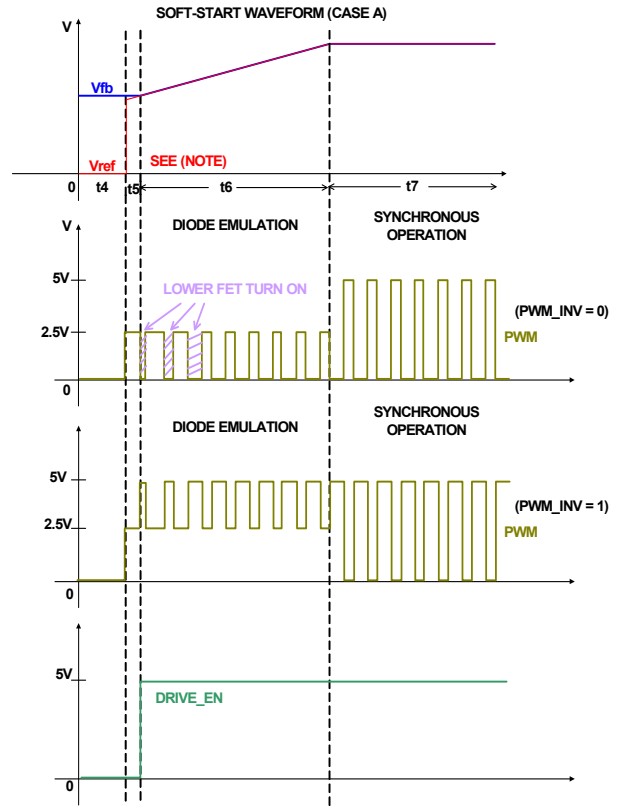
Figure 15 shows the prebias start-up PWM waveform for Case A in Table 1. The  $V_{PWM\_TRI} = VCC$  so the PWM can output a tri-level signal, which the external drivers need to identify, and  $V_{MODE} = VCC$  to ban the automatic phase dropping function.

**Time  $t_4$ ,  $t_5$ :** Same as the  $t_4$ ,  $t_5$  in Figure 14, soft-start has not started yet. See “Operation Initialization Before Soft-Start” on page 13 for a detailed description.

**Time  $t_6$ :** At the beginning of  $t_6$ , the SS pin has already been pre-biased to a value very close to the  $V_{FB}$ , so that the internal reference signal will start from the voltage close to the FB pin. This scheme will eliminate the internal delay for a non prebiased application.

The DRIVE\_EN pin, which is connected to the enable pins of the external drivers, will be pulled high when first PWM toggles at the beginning of  $t_6$ , as a result external drivers will start working. The PWM signals will switch between tri-level and low. The driver will only turn on the lower MOSFET accordingly, and the duty cycle will increase gradually from 0 to steady state. The synchronous MOSFET (Upper FET for Boost converter) will never turn on during this time, so diode emulation can be achieved during the start-up and in turn prevent negative current flowing from output to input.

**Time  $t_7$ :** Soft-start finishes at the beginning of  $t_7$ . The PWMs will change to a 2-level 0V to 5V switching signal and the synchronous MOSFET will be turned on.



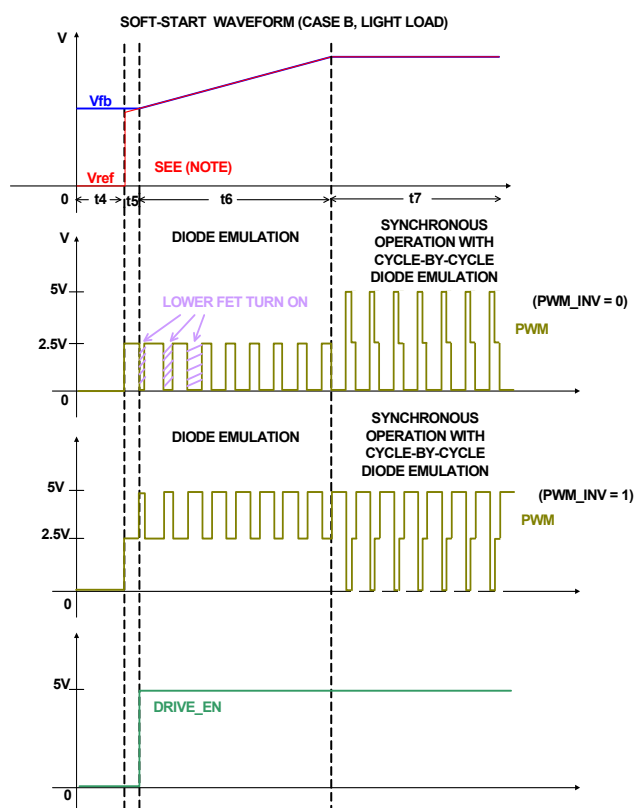
NOTE:  $t_4$ ,  $t_5$  PERIOD ARE FROM FIGURE 5

FIGURE 15. SOFT-START WAVEFORM (CASE A)

### Case B ( $V_{MODE} < 4V$ , $V_{PWM\_TRI} = VCC$ , Light Load Condition)

The only difference between Case A and Case B start-up waveforms is that at light load, Case B can drop phases and have cycle-by-cycle diode emulation at PWM1 and PWM2.

For Case B applications, where good light-load efficiency is always preferred, the ISL78225 provides three light-load efficiency enhancement methods. When the load current reduces, the ISL78225 will first assert the automatic phase dropping function to reduce the active phase number according to the load level. The minimum active phase number is two. If the load current further reduces even when running at two-phase operation, the ISL78225 will assert a second method by utilizing cycle-by-cycle diode emulation. During this time the IC will sense the inductor current, and when the current is approximately zero, it will turn off the synchronous MOSFET. If the load current is further reduced to deep light load operation, pulse skipping function will kick in to optimize the overall efficiency.



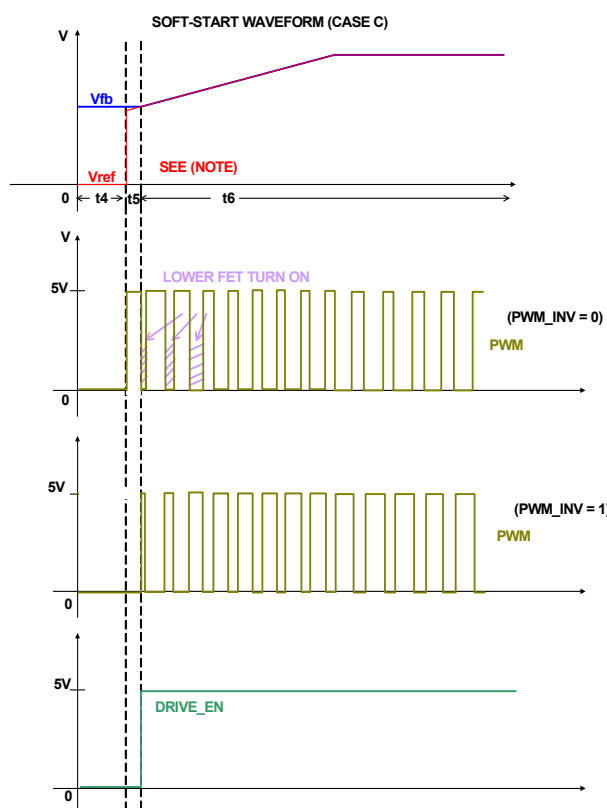
NOTE:  $t_4$ ,  $t_5$  PERIOD ARE FROM [FIGURE 5](#)  
**FIGURE 16. SOFT-START WAVEFORM (CASE B, LIGHT LOAD)**

## Case C ( $V_{P_{PWM\_TRI}} = 0$ )

For applications that the driver cannot identify a tri-state PWM signal, the  $V_{P_{PWM\_TRI}}$  should be connected to GND (Logic LOW), such that the PWM signal will only be 2 levels between 0V and 5V. Then the DRIVE\_EN pin can be connected to the EN pin of the external drivers. DRIVE\_EN will be asserted when the PWM first toggles such that the prebias start-up capability can be achieved. Detailed soft-start for Case C is shown in [Figure 17](#).

**Time  $t_4$ ,  $t_5$ :** Same as the  $t_4$ ,  $t_5$  in [Figure 14](#), soft-start has not started yet; see [“Operation Initialization Before Soft-Start” on page 13](#) for detailed description.

**Time  $t_6$ :** At the beginning of  $t_6$ , the PWM signal will start to switch between 0V and 5V. The driver will turn on the lower and upper MOSFETs accordingly, and the duty cycle for lower MOSFET will increase gradually from 0 to steady state. DRIVE\_EN will be pulled high when the first PWM toggles at the beginning of  $t_6$  to enable the external drivers.



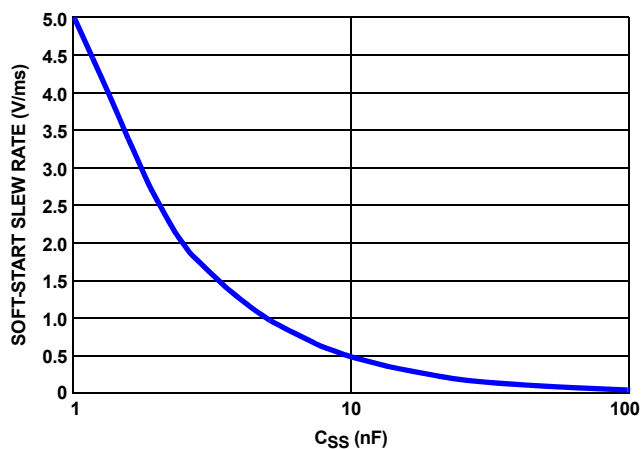
NOTE:  $t_4$ ,  $t_5$  PERIOD ARE FROM [FIGURE 5](#)  
**FIGURE 17. SOFT-START WAVEFORM (CASE C, LIGHT LOAD)**

## Soft-Start Ramp Slew Rate Calculation

The soft-start ramp slew rate  $SR_{SS}$  is determined by the capacitor value  $C_{SS}$  from SS pin to GND.  $C_{SS}$  can be calculated based on [Equation 3](#):

$$SR_{SS} = \frac{5 \times 10^{-12}}{C_{SS}} \left( \frac{V}{\mu s} \right) \quad (\text{EQ. 3})$$

[Figure 18](#) shows the relationship between  $C_{SS}$  and  $SR_{SS}$ .



**FIGURE 18. SOFT-START CAPACITOR vs SLEW RATE**

## Oscillator and Synchronization

The switching frequency is determined by the selection of the frequency-setting resistor,  $R_{FS}$ , connected from the FS pin to GND. Equation 4 is provided to assist in selecting the correct resistor value.

$$R_{FS} = 4 \times 10^{10} \left( \frac{1}{f_{SW}} - 5 \times 10^{-8} \right) \quad (\text{EQ. 4})$$

Where  $f_{SW}$  is the switching frequency of each phase. Figure 19 shows the relationship between  $R_{FS}$  and switching frequency.

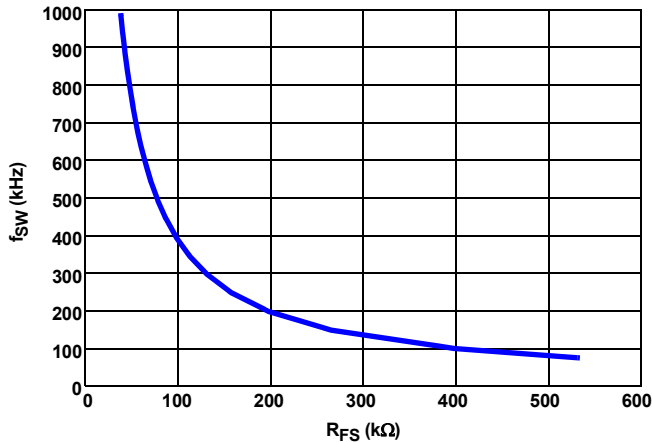


FIGURE 19.  $R_{FS}$  vs SWITCHING FREQUENCY

The maximum frequency at each PWM output is 1MHz. If the FS pin is accidentally shorted to GND or connected to a low impedance node, the internal circuits will detect this fault condition and fold back the switching frequency to the 75kHz minimal value.

The ISL78225 contains a phase lock loop (PLL) circuit and has frequency synchronization capability by simply connecting the SYNC pin to an external square pulse waveform (typically 20% to 80% duty cycle). In normal operation, the external SYNC frequency needs to be at least 20% faster than the internal oscillator frequency setting. The ISL78225 will synchronize its switching frequency to the fundamental frequency of the input waveform. The frequency synchronization feature will synchronize the rising edge of the PWM1 clock signal with the rising edge of the external clock signal at the SYNC pin.

The PLL is compensated with a series resistor-capacitor ( $R_c$  and  $C_c$ ) from the PLL\_COMP pin to GND and a capacitor ( $C_p$ ) from PLL\_COMP to GND. Typical values are  $R_c = 6.8k\Omega$ ,  $C_c = 6.8nF$ ,  $C_p = 1nF$ . The typical lock time is around 0.5ms.

The CLK\_OUT pin provides a square pulse waveform at the switching frequency. The amplitude is 5V with approximately 40% positive duty cycle, and the rising edge is synchronized with the leading edge of PWM1.

## Current Sensing

The ISL78225 senses the current continuously for fast response. It supports both sense resistor and inductor DCR current sensing methods. The sensed current for each active channel will be used for loop control, phase current balance, individual channel overcurrent protection and total average current protection. The internal circuitry, (shown in Figures 20 and 21), represents a single channel. This circuitry is repeated for each channel, but may not be active depending on the status of the PWM3 and PWM4 pin voltage.

Peak current mode control is implemented by feeding back the current output of the current sense amplifier (CSA) to the regulator control loop. Individual channel peak current limit is implemented by comparing the CSA output current with  $160\mu A$ . When the peak current limit comparator is tripped, the PWM ON-pulse is terminated and the IC is latched off.

### Sense Resistor Current Sensing

A sense resistor can be placed in series with the power inductor. As shown in Figure 20, The ISL78225 acquires the channel current information by sensing the voltage signal across the sense resistor. Because the voltage on both the positive input and the negative input of the current sense amplifier (CSA) are forced to be equal, the voltage across  $R_{SET}$  is equivalent to the voltage drop across the  $R_{SEN}$  resistor. The resulting current into the ISENxP pin is proportional to the channel current,  $I_L$ . Equation 5 for  $I_{SEN}$  is derived where  $I_L$  is the channel current:

$$I_{SEN} = I_L \cdot \frac{R_{SEN}}{R_{SET}} \quad (\text{EQ. 5})$$

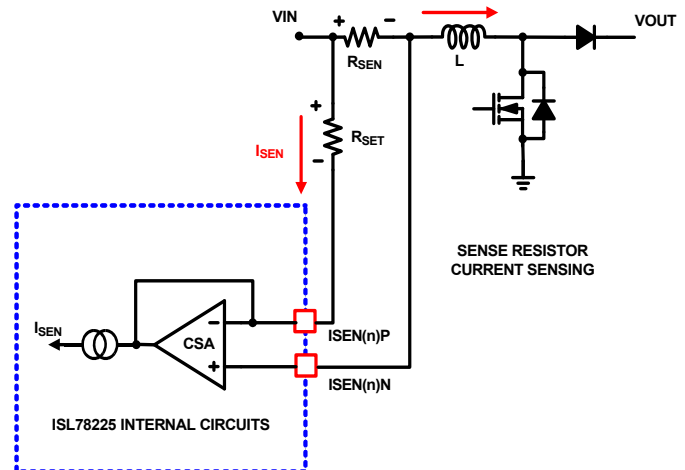


FIGURE 20. SENSE RESISTOR CURRENT SENSING

## Inductor DCR Sensing

An inductor's winding is characteristic of a distributed resistance as measured by the DCR (Direct Current Resistance) parameter.

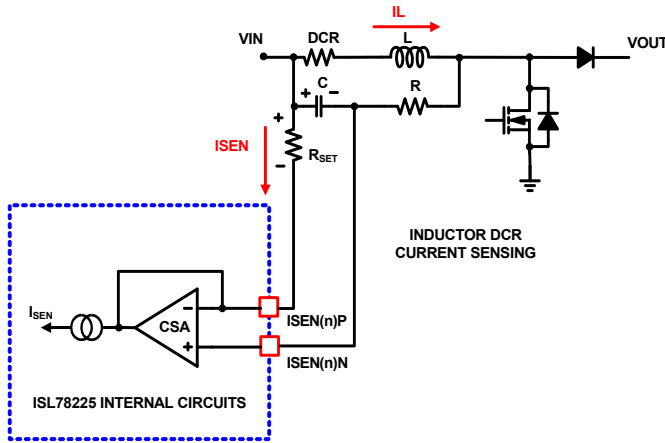


FIGURE 21. INDUCTOR DCR CURRENT SENSING

Consider the inductor DCR as a separate lumped quantity, as shown in [Figure 21](#). The channel current  $I_L$ , flowing through the inductor, will also pass through the DCR. [Equation 6](#) shows the s-domain equivalent voltage across the inductor  $V_L$ .

$$V_L = I_L \cdot (s \cdot L + DCR) \quad (\text{EQ. 6})$$

A simple R-C network across the inductor extracts the DCR voltage, as shown in [Figure 21](#).

The voltage on the capacitor  $V_C$ , can be shown to be proportional to the channel current  $I_L$ , see [Equation 7](#).

$$V_C = \frac{\left(s \cdot \frac{L}{DCR} + 1\right) \cdot (DCR \cdot I_L)}{(s \cdot RC + 1)} \quad (\text{EQ. 7})$$

If the R-C network components are selected such that the RC time constant ( $= R \cdot C$ ) matches the inductor time constant ( $= L/DCR$ ), the voltage across the capacitor  $V_C$  is equal to the voltage drop across the DCR, i.e., proportional to the channel current.

With the internal low-offset differential current sense amplifier, the capacitor voltage  $V_C$  is replicated across the sense resistor  $R_{SET}$ . Therefore, the current flow into the  $ISEN_{xP}$  pin is proportional to the inductor current. [Equation 8](#) shows that the ratio of the channel current to the sensed current  $I_{SEN}$  is driven by the value of the sense resistor and the DCR of the inductor.

$$I_{SEN} = I_L \cdot \frac{DCR}{R_{SET}} \quad (\text{EQ. 8})$$

## Light Load Efficiency Enhancement Schemes

For switching mode power supplies, the total loss is related to both the conduction loss and the switching loss. At heavy load, the conduction loss is dominant while the switching loss will take charge at light load condition. So, if a multiphase converter is running at a fixed phase number for the entire load range, we will observe that below a certain load point, the total efficiency starts

to drop heavily. The ISL78225 has automatic phase dropping, cycle-by-cycle diode emulation and pulse skipping features to enhance the light load efficiency. By observing the total input current on-the-fly and dropping the active phase numbers accordingly, the overall system can achieve optimized efficiency over the entire load range. All the previously mentioned light load enhancement features can be disabled by simply pulling the MODE pin to VCC.

## Adjustable Automatic Phase Dropping/Adding at Light Load Condition

If the MODE pin is connected to a resistor to GND, and the voltage on the MODE pin is lower than its disable threshold 4V, the adjustable automatic phase dropping/adding mode will be enabled. When the ISL78225 controller works in this mode, it will automatically adjust the active phase number by comparing the  $V_{MODE}$  and  $V_{IOUT}$ , which represents sensed total current information. The  $V_{MODE}$  sets the overall phase dropping threshold, and the  $V_{IOUT}$  is proportional to the input current, which is in turn proportional to the load current. The smaller the load current, the lower the voltage observed on the IOUT pin, and the ISL78225 will drop phases in operation. Once the MODE pin voltage is fixed, the threshold to determine how many phases are in operation is dependent on two factors:

1. The maximum configured phase number.
2. The voltage on the IOUT pin ( $V_{IOUT}$ ).

For example, if the converter is working in 4-phase operation and the MODE pin is set to 1.2V, the converter will monitor the  $V_{IOUT}$  and compared to 1.2V; if less than 900mV (75% of 1.2V), it will drop to 3-phase; if less than 600mV (50% of 1.2V), it will drop to 2-phase. The detailed threshold setting is shown in the [“Electrical Specifications” on page 7](#).

If PWM\_TRI is tied to VCC, the dropped phase will provide a 2.5V tri-level signal at its PWM output. The external driver has to identify this tri-state signal and turn off both the lower and upper switches accordingly. For better transient response during phase dropping, the ISL78225 will gradually reduce the duty cycle of the phase from steady state to zero, typically within 15 switching cycles. This gradual dropping scheme will help smooth the change of the PWM signal and, in turn, will help to stabilize the system when phase dropping happens.

The ISL78225 also has an automatic phase adding feature similar to phase dropping, but when doing phase adding there will not be 15 switching cycles gradually adding. It will add phases instantly to take care of the increased load condition. The phase adding scheme is controlled by three factors.

1. The maximum configured phase number
2. The voltage on the IOUT pin ( $V_{IOUT}$ ).
3. Individual phase current

Factors 1 and 2 are similar to the phase dropping scheme. If the  $V_{IOUT}$  is higher than the phase dropping threshold plus the hysteresis voltage, the dropped phase will be added back one by one instantly.

The previously mentioned phase-adding method can take care of the condition that the load current increases slowly. However, if the load is increasing quickly, the IC will use a different phase adding scheme. The ISL78225 monitors the individual channel

current for all active phases. During phase adding, the system will bring down the preset channel current limit to 2/3 of its original value (160µA). If any of the phase's sensed current hit the 2/3 of preset channel current limit threshold (i.e., 106.7µA), all the phases will be added back instantly. After a fixed 1.5ms delay, the phase dropping circuit will be activated and the system will react to drop the phase number to the correct value.

During phase adding, when either phase hits the preset channel current limit, there will be 200µs blanking time such that per-channel OCP will not be triggered during this blanking time.

## Diode Emulation at Very Light Load Condition

When phase dropping is asserted and the minimum phase operation is 2 phases, if the load is still reducing and synchronous boost structure is used, the ISL78225 controller will enter into forced cycle-by-cycle diode emulation mode. The PWM output will be tri-stated when the inductor current falls to zero, such that the synchronous MOSFET can be turned off accordingly cycle-by-cycle for forced diode emulation. This cycle-by-cycle diode emulation scheme will only be asserted when two conditions are met:

1. The PWM\_TRI pin voltage is logic HIGH.
2. Only two phases are running either by phase dropping or initial configuration.

By utilizing the cycle-by-cycle diode emulation scheme in this way, negative current is prevented and the system can still optimize the efficiency even at very light load conditions.

## Pulse Skipping at Deep Light Load Condition

If the converter enters diode emulation mode and the load is still reducing, eventually pulse skipping will occur to increase the deep light-load efficiency.

## Adjustable Slope Compensation

For a boost converter working in current mode control, slope compensation is needed when steady state duty cycle is larger than 50%. When slope compensation is too low, the converter can suffer from jitter or oscillation. On the other hand, over compensation of the slope will cause the reduction of the phase margin. Therefore, proper design of the slope compensation is needed.

The ISL78225 features adjustable slope compensation by setting the resistor value  $R_{SLOPE}$  from the SLOPE pin to GND. This function will ease the compensation design and provide more flexibility in choosing the external components.

For current mode control, typically we need the compensation slope  $m_A$  to be 50% of the inductor current down ramp slope  $m_B$  when the lower MOSFET is off. [Equation 9](#) shows how to choose the suitable resistor value.

$$R_{SLOPE} = \frac{1.136 \times 10^6 \times L \times R_{SET}}{(V_{OUT} - V_{IN}) \times (R_{SEN})} (\Omega) \quad (EQ. 9)$$

## Fault Monitoring and Protection

The ISL78225 actively monitors input/output voltage and current to detect fault conditions. Fault monitors trigger protective measures to prevent damage to the load. Common power-good indicator pin (PGOOD pin) and VIN\_OVB, VOUT\_OVB pins are provided for linking to external system monitors.

### PGOOD Signal

The PGOOD pin is an open-drain logic output to indicate that the soft-start period is completed and the output voltage is within the specified range. This pin is pulled low during soft-start and releases high after a successful soft-start. PGOOD will be pulled low when a UV/OV/OC/OT fault occurs.

### Input Overvoltage Detection

The ISL78225 utilizes VIN\_SEN and VIN\_OVB pins to deal with a high input voltage. The VIN\_SEN pin is used for sensing the input voltage. A resistor divider network is connected between this pin and the boost power stage input voltage rail. When the voltage on VIN\_SEN is higher than 2.4V, the open-drain output VIN\_OVB pin will be pulled low to indicate an input overvoltage condition. The  $V_{IN}$  overvoltage sensing threshold can be programmed by changing the resistor values, and hysteresis voltage of the internal comparator is fixed to be 100mV.

### Output Undervoltage Detection

The undervoltage threshold is set at 80% of the internal voltage reference. When the output voltage at the FB pin is below the undervoltage threshold minus the hysteresis, PGOOD is pulled low. When the output voltage comes back to 80% of the reference voltage, PGOOD will return back to high.

### Output Overvoltage Detection/Protection

The ISL78225 overvoltage detection circuit is active after time  $t_2$  in [Figure 14 on page 13](#). The OV trip point is set to 120% of the internal reference level. Once an overvoltage condition is detected, the PGOOD will be pulled low but the controller will continue to operate.

The ISL78225 also provides the flexibility for output overvoltage protection by utilizing the VOUT\_SEN and VOUT\_OVB pins. The VOUT\_SEN pin is used for sensing the output voltage. A resistor divider network is connected between this pin and the boost power stage output voltage rail. When the voltage on VOUT\_SEN is higher than 2.4V, the open-drain output VOUT\_OVB will be pulled low, and the ISL78225 IC will be latched off to indicate an output overvoltage condition. The  $V_{OUT}$  overvoltage sensing threshold can be programmed by changing the resistor values.

### Overcurrent Protection

ISL78225 has two levels of overcurrent protection. Each phase is protected from an overcurrent condition by limiting its peak current, and the combined total current is protected on an average basis.

For the individual channel overcurrent protection, the ISL78225 continuously compares the CSA output current of each channel with a 160µA reference current. If any channel's current trips the current limit comparator, the ISL78225 will be shut down.

However, during the phase adding period, the individual channel current protection function will be blanked for 200μs, in order to give other phases the chance to take care of the current.

The IO<sub>UT</sub> pin serves for both input current monitoring and total average current OCP functions. The CSA output current for each channel is scaled and summed together at this pin. An RC network should be connected between the IO<sub>UT</sub> pin and GND, such that the ripple current signal can be filtered out and converted to a voltage signal to represent the averaged total input current. The relationship between total input current I<sub>IN</sub> and V<sub>IO<sub>UT</sub></sub> can be calculated as Equation 10 (see Figure 20 on page 16 for R<sub>SEN</sub> and R<sub>SET</sub> positions):

$$V_{IO_{UT}} = 0.75 I_{IN} \frac{R_{SEN}}{R_{SET}} R_{IO_{UT}} \quad (\text{EQ. 10})$$

When the V<sub>IO<sub>UT</sub></sub> is higher than 2V for a consecutive 100μs, the ISL78225 IC will be triggered to shut down. This provides additional safety for the voltage regulator.

Equation 11 can be used to calculate the value of the resistor R<sub>IO<sub>UT</sub></sub> based on the desired OCP level I<sub>AVG, OCP2</sub>:

$$R_{IO_{UT}} = \frac{2}{I_{AVG, OCP2}} \quad (\text{EQ. 11})$$

The total average overcurrent protection scheme will not be asserted until the soft-start pin voltage V<sub>SS</sub> reaches its clamped value (approximately 3.5V). During the soft-start time, the system does not latch-off if per-channel or overall OC limit is reached. Instead, the individual channel current will run at its preset peak current limit level.

## Thermal Protection

The ISL78225 will be disabled if the die junction temperature reaches a nominal of +160°C. It will recover when the junction temperature falls below a +15°C hysteresis. The +15°C hysteresis insures that the device will not be re-enabled until the junction temperature has dropped to below about +145°C.

## Internal 5V LDO Output Current Limit Derating Curves

ISL78225 contains an internal 5V/200mA LDO, and the input of LDO (VIN pin) can go as high as 40V. Based on the junction to ambient thermal resistance R<sub>JA</sub> of the package, we need to guarantee that the maximum junction temperature should be below +125°C T<sub>MAX</sub>. Figure 22 shows the relationship between maximum allowed LDO output current and input voltage. The curve is based on +35°C/W thermal resistance R<sub>JA</sub> for the package. Each curve represents different ambient temperature, T<sub>A</sub>.

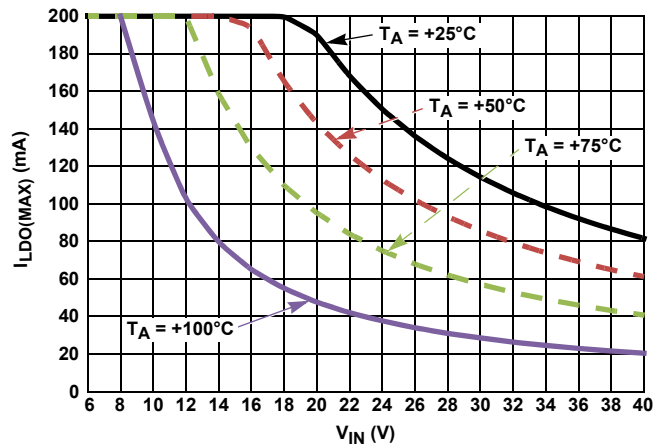


FIGURE 22. I<sub>LDO(MAX)</sub> vs V<sub>IN</sub>

## Dedicated VREF2 Pin for Input Voltage Tracking

A second reference input pin, VREF2, is added to the input of the transconductance amplifier. The ISL78225 internal reference will automatically change to VREF2 when it is pulled below 1.8V. The VREF2 pin can be connected to VIN through resistor network to implement the automatic input voltage tracking function. This function is very useful under car battery voltage cranking conditions (such as when the car is parked and the driver is listening to the stereo), where the full load power is typically not needed. In this case, the ISL78225 can limit the output power by allowing the output voltage to track the input voltage. If VREF2 is not used, the pin should be connected to VCC.

## Configurations for Dual IC Operations

For high power applications, two ISL78225 ICs can be easily configured to support 8-phase operation. The IC that provides the CLK\_OUT signal is called master IC, and the IC that received the CLK\_OUT signal is called slave IC. Note that the two PWM1 signals are synchronized and the net effect is 4-phase operation with double the output current.

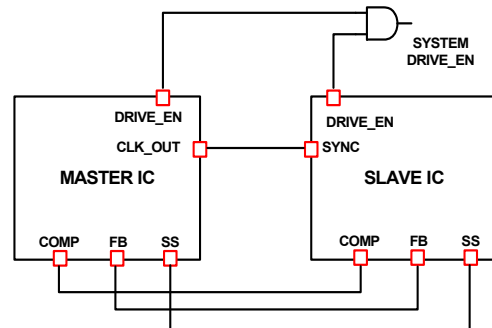


FIGURE 23. CONFIGURATIONS FOR DUAL IC OPERATION

[Figure 23](#) shows the step-by-step setup as follows:

1. Connect the CLK\_OUT pin of the master IC to the SYNC pin of the slave IC.
2. Set the master IC's switching frequency as desired frequency; set the slave IC's switching frequency 20% below the master IC's.
3. Connect both IC's COMP, SS and FB pins together.
4. Both IC's DRIVE\_EN pin should be ANDed together to provide the system's driver enable signal.
5. Since PGOOD, VOUT\_OVB and VIN\_OVB pins are open-drain structure, both IC's PGOOD, VOUT\_OVB and VIN\_OVB pins can be tied together and use one pull-up resistor to connect to VCC.
6. If Phase dropping function is needed, tie both IC's IOOUT and MODE pins together.

## ISL78225EVAL1Z Evaluation Board

The ISL78225EVAL1Z evaluation board is designed for automotive trunk audio application to deliver 36V at 10A over a 10 to 16V input range. The ISL78420 100V inverting MOSFET drivers with tri-state input capability facilitate synchronous boost rectification and phase-dropping for high efficiency over the entire load range. See [AN1727](#) on the Intersil website, [www.intersil.com](http://www.intersil.com), for more information on ISL78225EVAL1Z.

## Revision History

The revision history provided is for informational purposes only and is believed to be accurate, but not warranted. Please go to web to make sure you have the latest revision.

DATE	REVISION	CHANGE
September 5, 2014	FN7909.4	Page 7- Changed the spec reference for Charge Device Model from "JESD22-C101C" to "AEC-Q100-11" Page 21- Updated the "About Intersil" verbiage.
February 11, 2014	FN7909.3	Page 21 - 2nd line of the disclaimer changed from: "Intersil products are manufactured, assembled and tested utilizing ISO9001 quality systems as noted" to: "Intersil Automotive Qualified products are manufactured, assembled and tested utilizing TS16949 quality systems as noted" Page 12- Updated the "About Intersil" verbiage
December 6, 2012	FN7909.2	Page 4 - Ordering Information table - changed part number from: ISL78225ANEZ-T to: ISL78225ANEZ and changed Note 1 from: "Please refer to <a href="#">TB347</a> for details on reel specifications." to: "Add "-T*" suffix for tape and reel. Please refer to <a href="#">TB347</a> for details on reel specifications." Page 12, "Phase Selection" section: -Changed first sentence from: "The ISL78225 can work in 2, 3, or 4-phase configuration". to: "The ISL78225 can work in 1, 2, 3 or 4-phase configuration." Changed last sentence from "Unused current sense inputs must be left floating." to: "For the unused ISENxN and ISENxP, a 1k resistor is recommended to connect ISENxN and ISENxP, and connect ISENxN to VIN." Page 13, Table 1 - added comment to cell of row A and column APPLICATIONs: "Forced minimum ON pulses exists." Page 14, added sentence under section title "Soft-Start Process for Different Modes": "At the beginning of soft-start, the SS pin voltage will start ramping up from a voltage equal to the FB voltage. The soft-start period ends when the SS pin voltage reaches the lower power-good threshold that is 80% of the lower value of VREF2 or 2V."
August 2, 2012	FN7909.1	Changed the symbols of the main switching devices from IGBT to N-MOSFET in "Typical Application 1: 4-Phase Synchronous Boost Converter with Sense Resistor Current Sensing" on page 5, "Typical Application 2: 4-Phase Standard Boost Converter with DCR Current Sensing" on page 6, Figure 20 on page 16 and Figure 21 on page 17.
July 17, 2012		Updated guidance for unused current sense inputs, specified normal operation with inverting MOSFET drivers, and added pointer to ISL78225EVAL1Z evaluation board.
December 15, 2011	FN7909.0	Initial release.

## About Intersil

Intersil Corporation is a leading provider of innovative power management and precision analog solutions. The company's products address some of the largest markets within the industrial and infrastructure, mobile computing and high-end consumer markets.

For the most updated datasheet, application notes, related documentation and related parts, please see the respective product information page found at [www.intersil.com](http://www.intersil.com).

You may report errors or suggestions for improving this datasheet by visiting [www.intersil.com/ask](http://www.intersil.com/ask).

Reliability reports are also available from our website at [www.intersil.com/support](http://www.intersil.com/support)

For additional products, see [www.intersil.com/en/products.html](http://www.intersil.com/en/products.html)

Intersil Automotive Qualified products are manufactured, assembled and tested utilizing TS16949 quality systems as noted in the quality certifications found at [www.intersil.com/en/support/qualandreliability.html](http://www.intersil.com/en/support/qualandreliability.html)

*Intersil products are sold by description only. Intersil Corporation reserves the right to make changes in circuit design, software and/or specifications at any time without notice. Accordingly, the reader is cautioned to verify that data sheets are current before placing orders. Information furnished by Intersil is believed to be accurate and reliable. However, no responsibility is assumed by Intersil or its subsidiaries for its use; nor for any infringements of patents or other rights of third parties which may result from its use. No license is granted by implication or otherwise under any patent or patent rights of Intersil or its subsidiaries.*

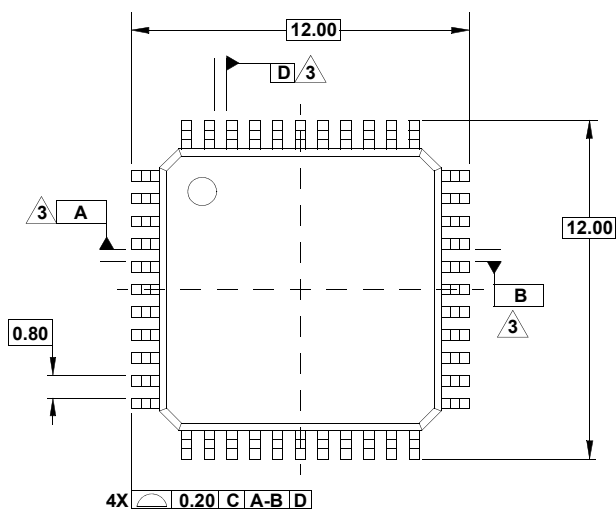
For information regarding Intersil Corporation and its products, see [www.intersil.com](http://www.intersil.com)

## Package Outline Drawing

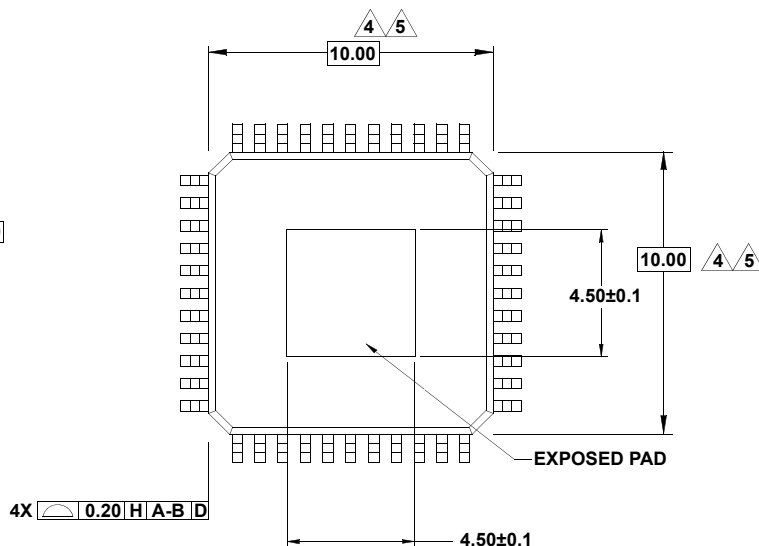
### Q44.10x10A

44 LEAD THIN PLASTIC QUAD FLATPACK PACKAGE WITH EXPOSED PAD (EP-TQFP)

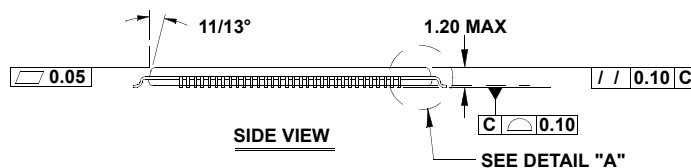
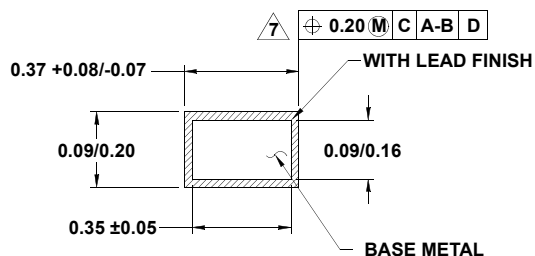
Rev 2, 12/10



TOP VIEW

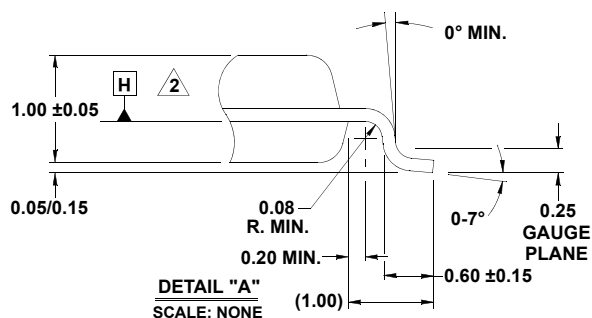


BOTTOM VIEW

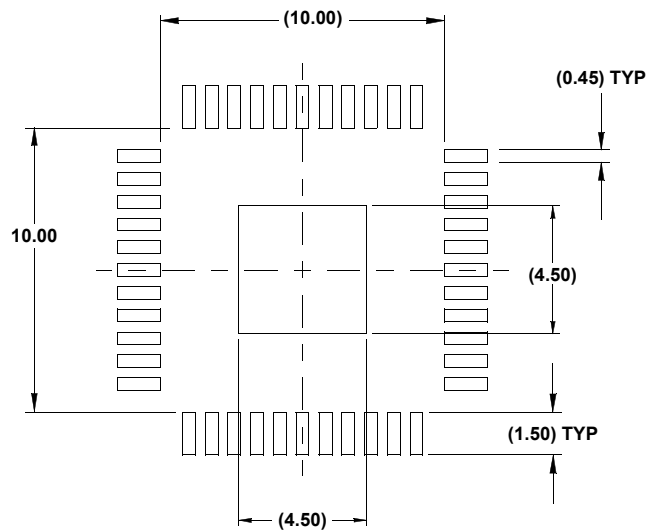


SIDE VIEW

SEE DETAIL "A"



DETAIL "A"  
SCALE: NONE



TYPICAL RECOMMENDED LAND PATTERN

#### NOTES:

- All dimensioning and tolerancing conform to ANSI Y14.5-1982.
- Datum plane **H** located at mold parting line and coincident with lead, where lead exits plastic body at bottom of parting line.
- Datums **A-B** and **D** to be determined at centerline between leads where leads exit plastic body at datum plane **H**.
- Dimensions **D1** and **E1** do not include mold protrusion. Allowable mold protrusion is 0.254mm on **D1** and **E1** dimensions.
- These dimensions to be determined at datum plane **H**.
- Package top dimensions are smaller than bottom dimensions and top of package will not overhang bottom of package.
- Dimension **b** does not include dambar protrusion. Allowable dambar protrusion shall be 0.08mm total in excess of the **b** dimension at maximum material condition. Dambar cannot be located on the lower radius or the foot.
- Controlling dimension: millimeter.
- This outline conforms to JEDEC publication 95 registration MS-026, variation ACB.
- Dimensions in ( ) are for reference only.
- The corners of the exposed heatspreader may appear different due to the presence of the tiebars.

# AMEYA360

## Components Supply Platform

Authorized Distribution Brand :



Website :

Welcome to visit [www.ameya360.com](http://www.ameya360.com)

Contact Us :

➤ Address :

401 Building No.5, JiuGe Business Center, Lane 2301, Yishan Rd  
Minhang District, Shanghai , China

➤ Sales :

Direct +86 (21) 6401-6692

Email [amall@ameya360.com](mailto:amall@ameya360.com)

QQ 800077892

Skype [ameyasales1](#) [ameyasales2](#)

➤ Customer Service :

Email [service@ameya360.com](mailto:service@ameya360.com)

➤ Partnership :

Tel +86 (21) 64016692-8333

Email [mkt@ameya360.com](mailto:mkt@ameya360.com)