

# D6 SPST Momentary Key Switches



## Features/Benefits

- Easy X, Y coding on single side PCB
- Positive tactile feedback
- High temperature
- Wide variety of colors & styles
- RoHS compliant and compatible

## Typical Applications

- Video
- Electronic games
- Appliances

## Construction

FUNCTION: momentary  
 CONTACT ARRANGEMENT: 1 make contact (SPST), NO  
 DISTANCE BETWEEN BUTTON CENTERS, MIN.: 12,7 (0.500)  
 TERMINALS: PC pins

## Electrical

SWITCHING POWER MAX.: 3 VA  
 SWITCHING VOLTAGE MAX.: 32 V DC  
 SWITCHING CURRENT MAX.: 100 mA DC  
 DIELECTRIC STRENGTH (50 Hz / 1 min): 250 V  
 OPERATING LIFE with max. switching power: (2,5x10<sup>5</sup> operations)  
 CONTACT RESISTANCE: ≤100 mΩ  
 INSULATION RESISTANCE: ≥10<sup>8</sup> Ω  
 BOUNCE TIME: ≤10 ms

## Packaging

The D6 switches are delivered in boxes containing 10 trays with 250 pieces each: Total 2,500 pieces per box.  
 The D6 buttons are delivered in bulk with 2500 pieces per box.

## Mechanical

SWITCHING TRAVEL:  
 Version F1: 0.2mm ≤ Te ≤ 1.0 mm  
 Version F2: 0.3mm ≤ Te ≤ 1.1 mm  
 OPERATING FORCE:  
 Version F1: 0.8N ≤ Fa ≤ 1.8N  
 Version F2: 2.0N ≤ Fa ≤ 3.5N

## Environmental

OPERATING TEMPERATURE: -20°C to 85°C.

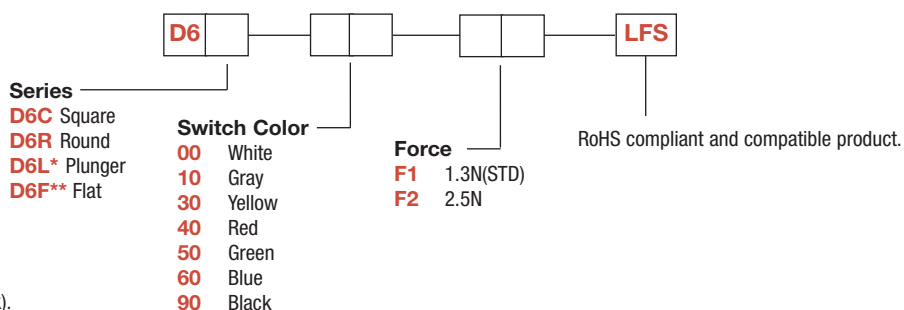
## Process

SOLDERABILITY:  
 Wave soldering, compatible with lead free soldering profile  
 Hand soldering, 350°C for 3 seconds

## How To Order

Our easy build-a-switch concept allows you to mix and match options to create the switch you need. To order, select desired option from each category and place it in the appropriate box.

### Switch



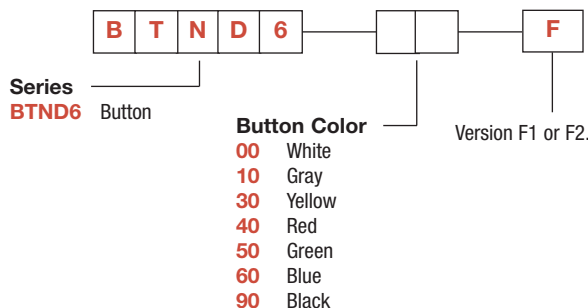
\*Available only in color 90 (black).

\*\* Available only in color 90 (black) and 00 (white).

### Button

Buttons can be ordered separately.  
 Shipped in bulk.

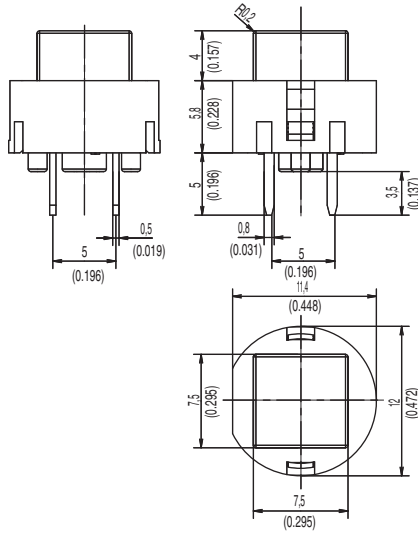
D6 button for use with D6C only.



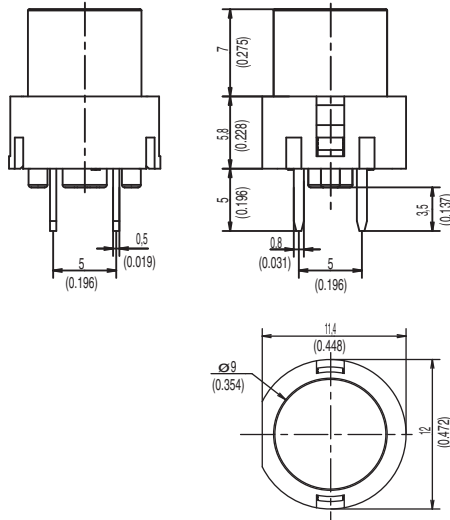
# D6 SPST Momentary Key Switches

SERIES

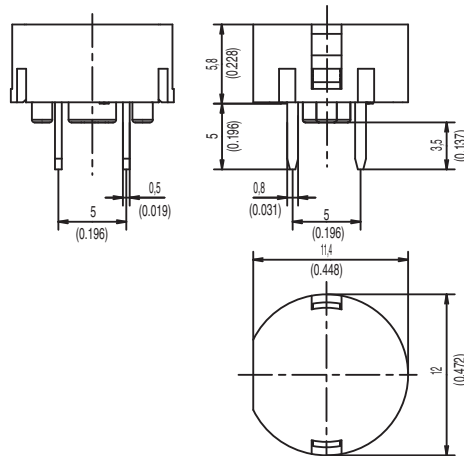
## D6C



## D6R



## D6F



Dimensions are shown: mm  
Specifications and dimensions subject to change



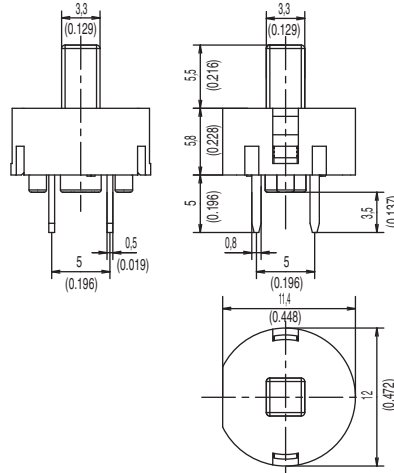
D

Key Switches

# D6 SPST Momentary Key Switches

SERIES 

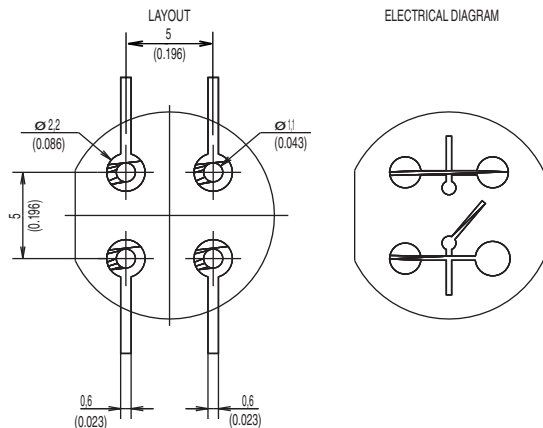
**D6L** ONLY AVAILABLE IN BLACK



SWITCH COLORS 

OPTION CODE	SWITCH COLOR
00	WHITE
10	GRAY
30	YELLOW
40	RED
50	GREEN
60	BLUE
90	BLACK

## PCB LAYOUT



First Angle  
Projection

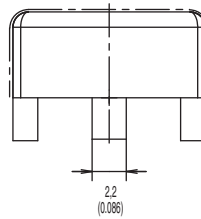
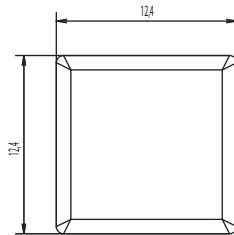
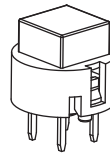
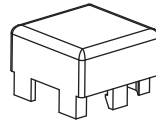
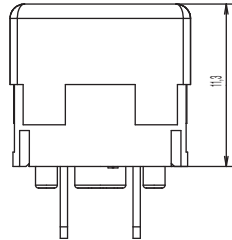
Dimensions are shown: mm  
Specifications and dimensions subject to change

# D6 SPST Momentary Key Switches

## BUTTON AVAILABLE

**BTND6** Buttons must be ordered separately. Shipped in bulk.

**NOTE:** Only compatible with D6C.



OPTION CODE	BUTTON COLOR
00	WHITE
10	GRAY
30	YELLOW
40	RED
50	GREEN
60	BLUE
90	BLACK



D

Key Switches

# AMEYA360

Components Supply Platform

Authorized Distribution Brand :



Website :

Welcome to visit [www.ameya360.com](http://www.ameya360.com)

Contact Us :

➤ Address :

401 Building No.5, JiuGe Business Center, Lane 2301, Yishan Rd  
Minhang District, Shanghai , China

➤ Sales :

Direct +86 (21) 6401-6692

Email [amall@ameya360.com](mailto:amall@ameya360.com)

QQ 800077892

Skype ameyasales1 ameyasales2

➤ Customer Service :

Email [service@ameya360.com](mailto:service@ameya360.com)

➤ Partnership :

Tel +86 (21) 64016692-8333

Email [mkt@ameya360.com](mailto:mkt@ameya360.com)