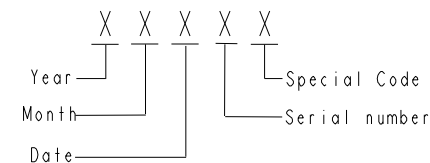
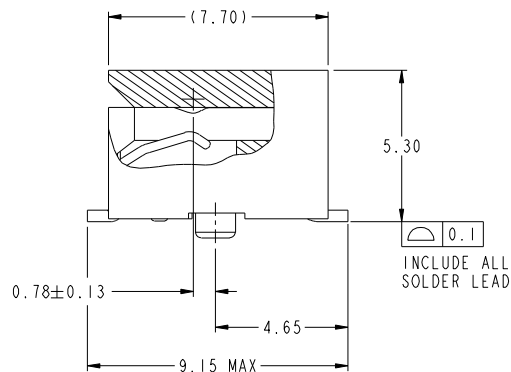
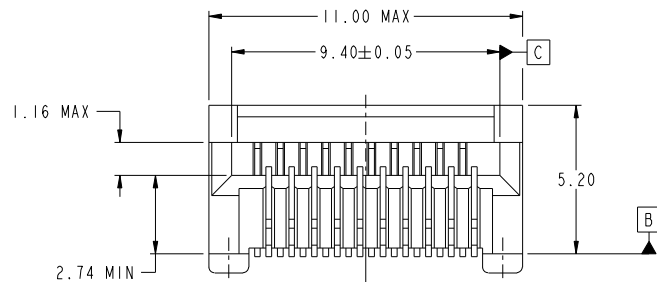
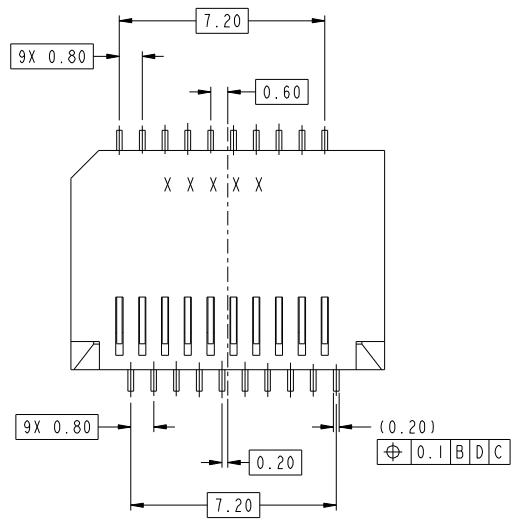
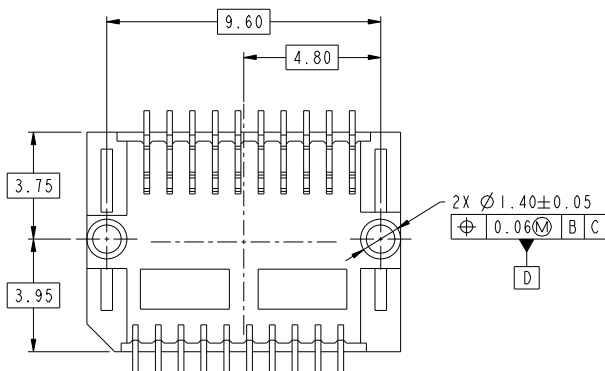


PRODUCT NUMBER	CONTACT AREA PLATING	PACKAGING
10099099-111LF	0.76µm Au	TAPE AND REEL



DATE CODE DESCRIPTION



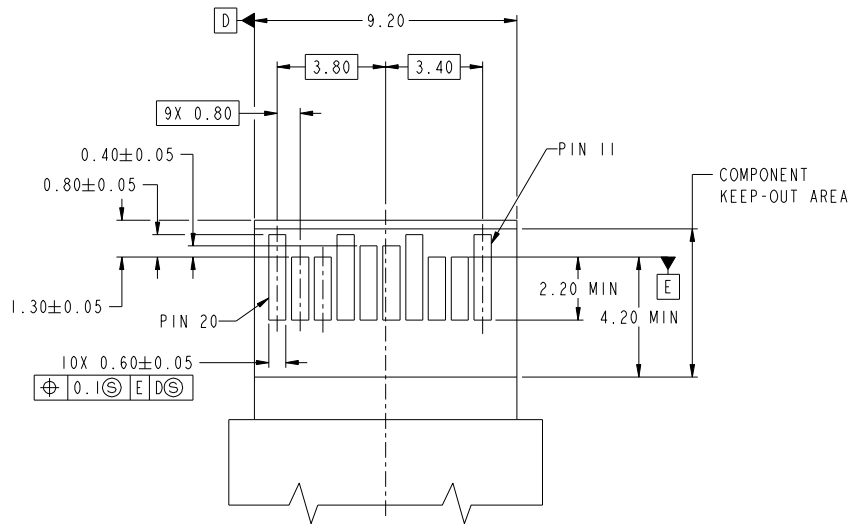
NOTES:

1. MATERIAL:
HOUSING: THERMOPLASTIC, BLACK, UL 94V-0.
CONTACT: PHOSPHOR BRONZE.
2. PLATING:
UNDERPLATE: 1.27µm MIN NICKEL OVER ALL
SOLDER AREA: 3.81µm MIN TIN(LEAD FREE)
MATING AREA: SEE PRODUCT NUMBER TABLE.
3. DESIGNED TO CONFORM WITH SFP+ MSA SPECIFICATION.
4. PRODUCT SPECIFICATION: GS-12-616
5. APPLICATION SPECIFICATION: GS-20-125
6. PRODUCT MEETS EUROPEAN UNION DIRECTIVES AND OTHER COUNTRY REGULATIONS AS DESCRIBED IN GS-22-008.
7. DATE CODE BE PRINTED ON PROPER SURFACE.

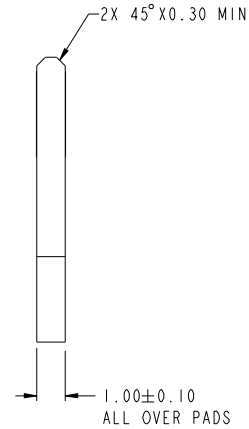
Copyright FCI.

www.fciconnect.com		surface	tolerance std	projection	MM
		ASME Y14.5	ASME Y14.5		
		TOLERANCES UNLESS OTHERWISE SPECIFIED			
Dr	S. MANI	2009-04-08	ANGULAR	0.x	±0.2
Eng	M. GRAY	2009-05-21	LINEAR	0.xx	±0.15
Chr	M. GRAY	2009-05-21	0°	0.xxx	±
Appr	M. GRAY	2009-05-21	Product family		SFP+
		Product family		Spec ref	RELEASE
FCI		SPP+ 20 POSITION		10099099	Rev. B
		STANDARD TYPE		10099099	B
		catalog no		CUSTOMER	sheet 1 of 3

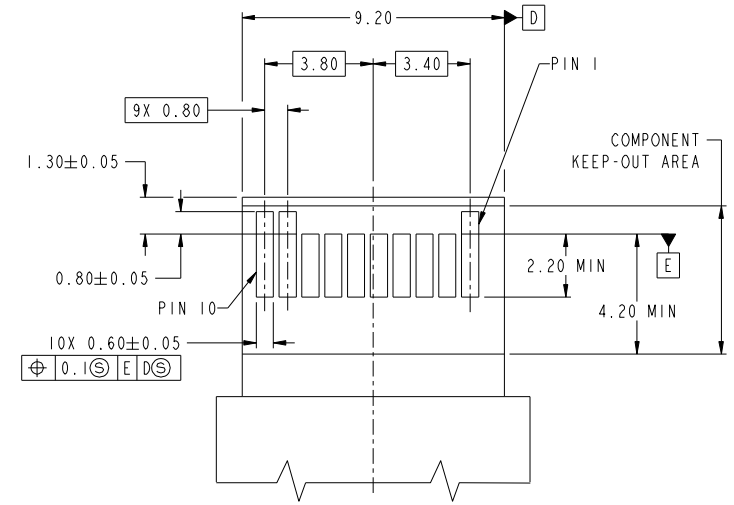
PRODUCT NUMBER
10099099-111LF



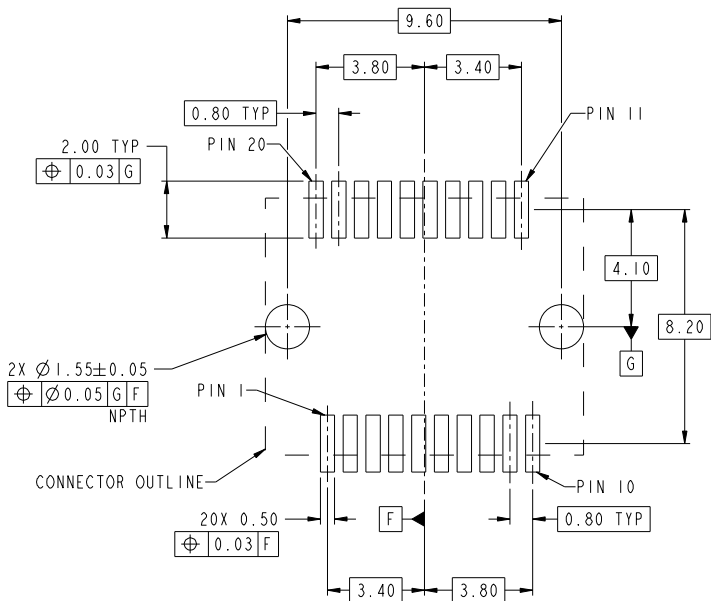
TOP VIEW OF BOARD



RECOMMENDED MATING PCB CONFIGURATION



BOTTOM VIEW OF BOARD

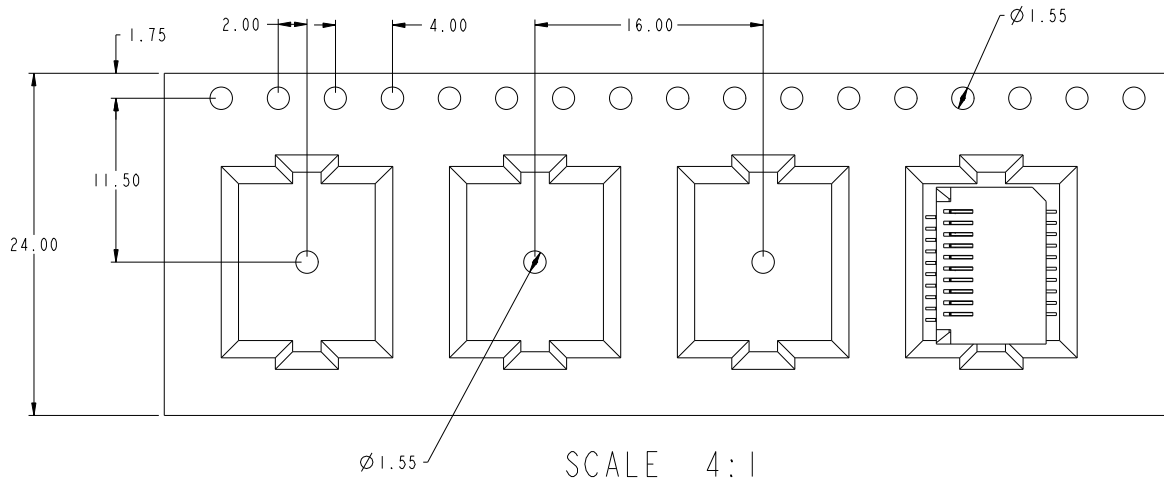


RECOMMENDED PCB CONFIGURATION

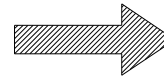
Copyright FCI.
FCI

www.fciconnect.com		surface ASME Y14.5	tolerance std ASME Y14.5	projection	MM
		TOLERANCES UNLESS OTHERWISE SPECIFIED			
Dr	S. MANI	2009-04-08	ANGULAR	0.x	±0.2
Eng	M. GRAY	2009-05-21	LINEAR	0.xx	±0.15
Chr	M. GRAY	2009-05-21	0°	0.xxx	±
Appr	M. GRAY	2009-05-21	Product family	SFP+	Spec ref
FCI		SFP+ 20 POSITION		size	A2
STANDARD TYPE		catalog no		ECN	N10-0376
				Rev.	B
		CUSTOMER		10099099	sheet 2 of 3

TAPE-ON-REEL PACKAGING TYPE



UN-REELING DIRECTION OF FEED



Copyright FCI.
FCI

www.fciconnect.com		surface ASME Y14.5	tolerance std ASME Y14.5	projection ASME Y14.5	MM
TOLERANCES UNLESS OTHERWISE SPECIFIED					
Dr	S. MANI	2009-04-08	ANGULAR	0.x	±0.2
Eng	M. GRAY	2009-05-21	LINEAR	0.xx	±0.15
Chr	M. GRAY	2009-05-21	0° ±1"	0.xxx	±
Appr	M. GRAY	2009-05-21	Product family	SFP+	Spec ref
FCI		SPP+ 20 POSITION		10099099	Rev.
STANDARD TYPE		CUSTOMER		sheet 3 of 3	
catalog no		-		B	

AMEYA360

Components Supply Platform

Authorized Distribution Brand :



Website :

Welcome to visit www.ameya360.com

Contact Us :

➤ Address :

401 Building No.5, JiuGe Business Center, Lane 2301, Yishan Rd
Minhang District, Shanghai , China

➤ Sales :

Direct +86 (21) 6401-6692

Email amall@ameya360.com

QQ 800077892

Skype [ameyasales1](#) [ameyasales2](#)

➤ Customer Service :

Email service@ameya360.com

➤ Partnership :

Tel +86 (21) 64016692-8333

Email mkt@ameya360.com