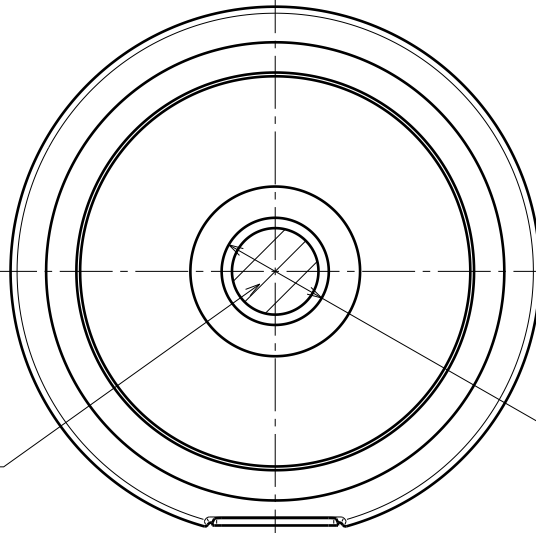
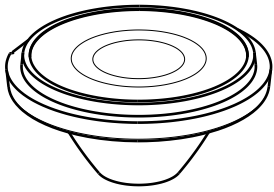


D

C

B

A

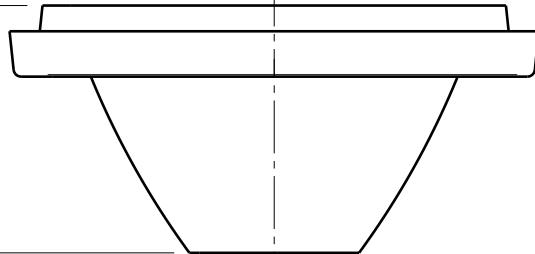


Clear finish

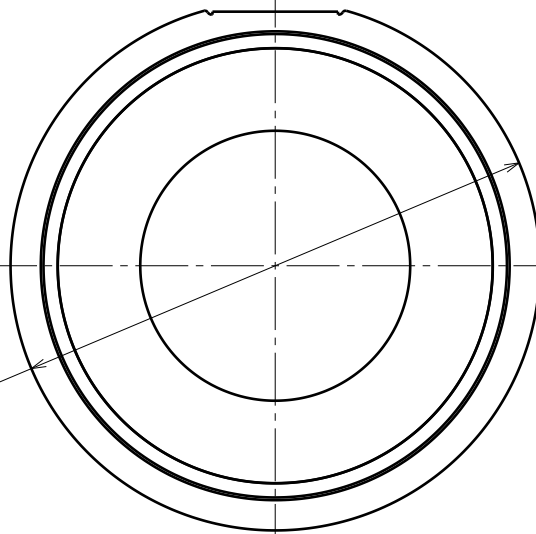
Ø 7.1

Ø 30.6

16.4



Side view



Ø 35

Top view

Tolerances if not otherwise shown:  
 According to DIN ISO 2768-1  
 Linear measures:  
 Up to 30mm class M, otherwise class C.

According to DIN ISO 2768-2  
 Form and position:  
 class L

Raw material(s):  
 PMMA 8N

This drawing is our property.  
 It can't be reproduced  
 or communicated without  
 our written agreement.



Ledil Oy  
 Salorankatu 10  
 24100 SALO  
 Finland

DRAWING TITLE

Datasheet Eva D Lens

DRAWN BY  
ah

DATE  
1.3.2013

CHECKED BY

DATE

SIZE  
A4

DRAWING NUMBER

11677

REV  
2

DESIGNED BY  
HH

DATE  
26.08.2008

SCALE

2:1

WEIGHT (g)

SHEET

1/1

D

A

4

3

2

1

1

# AMEYA360

## Components Supply Platform

### Authorized Distribution Brand :



### Website :

Welcome to visit [www.ameya360.com](http://www.ameya360.com)

### Contact Us :

#### ➤ Address :

401 Building No.5, JiuGe Business Center, Lane 2301, Yishan Rd  
Minhang District, Shanghai , China

#### ➤ Sales :

Direct +86 (21) 6401-6692

Email [amall@ameya360.com](mailto:amall@ameya360.com)

QQ 800077892

Skype [ameyasales1](#) [ameyasales2](#)

#### ➤ Customer Service :

Email [service@ameya360.com](mailto:service@ameya360.com)

#### ➤ Partnership :

Tel +86 (21) 64016692-8333

Email [mkt@ameya360.com](mailto:mkt@ameya360.com)