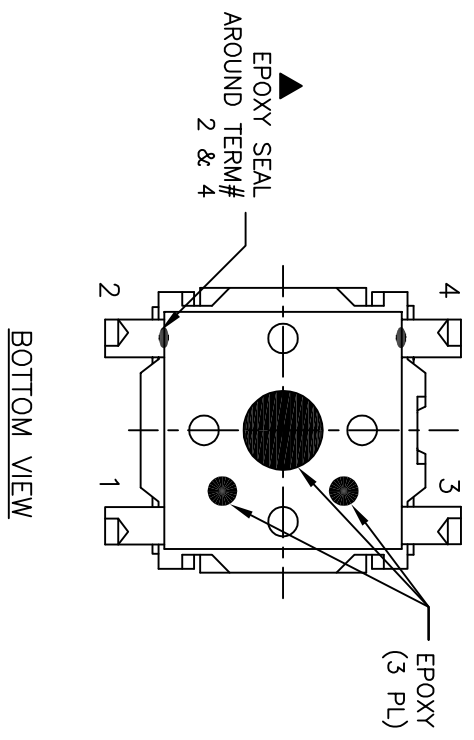
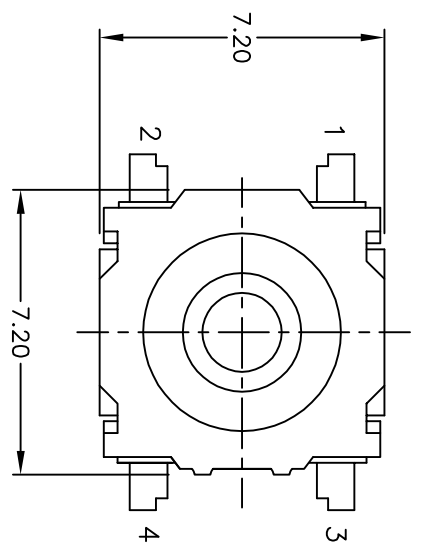
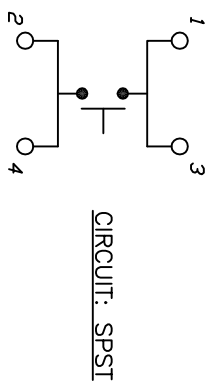


RECOMMENDED P.C.B. LAYOUT

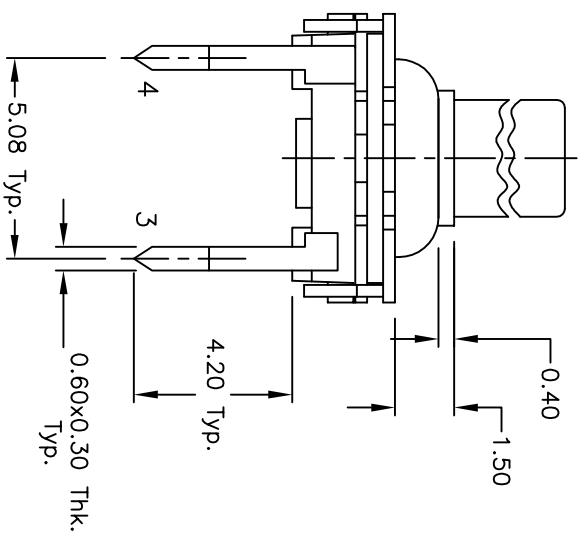
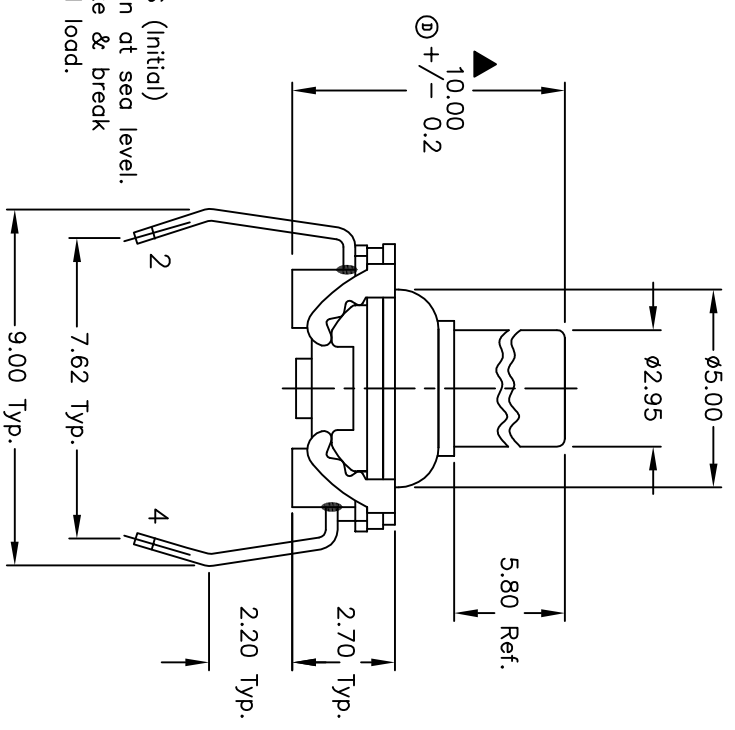



BOTTOM VIEW



NOTES:

1. ALL DIMENSIONS IN MM
2. GENERAL TOLERANCE: X.X=±0.4
X.XX=±0.25
3. TERM. NOS. FOR REF. ONLY
4. ACTUATION FORCE: 300±75gf
5. TRAVEL TO MAKE: 0.3mm +0.4/0.0
6. RATING: 30mA, @12V DC
7. CONTACT RESISTANCE: 50 mΩ—OHMS (Initial)
8. DIELECTRIC STRENGTH: 300 V RMS min at sea level.
9. ELECTRICAL LIFE CYCLE: 150,000 make & break cycles at full load.
10. ▲ DESIGNATE MAJOR DIMENSIONS.
11. OPERATING TEMP: -40°C to +85°C
12. 2002/95/EC (ROHS) COMPLIANT



D	18193	BUTTON LENGTH TOLERANCE CHG.	7/31/08	BLR					
C	15472	REV. DESC., EPOXY LAYOUT	10/28/05	PH					
B	12191	REVISED NOTE 9, ADD NOTE11	5/28/02	CB					
A	10812	RELEASED FOR PRODUCTION	8/4/00	MM					
REV.	ECN NO.	DESCRIPTION	DATE	CHKD	SCALE	DATE	DR	DWG	REV
					5:1	7/31/08	MM	L600002	D
									
					TITLE: GS 10.00 F300 QP				
THE INFORMATION CONTAINED IN THIS DOCUMENT IS PROPRIETARY TO E-SWITCH AND IS NOT TO BE COPIED OR TRANSFERRED									

AMEYA360

Components Supply Platform

Authorized Distribution Brand :



Website :

Welcome to visit www.ameya360.com

Contact Us :

➤ Address :

401 Building No.5, JiuGe Business Center, Lane 2301, Yishan Rd
Minhang District, Shanghai , China

➤ Sales :

Direct +86 (21) 6401-6692

Email amall@ameya360.com

QQ 800077892

Skype [ameyasales1](#) [ameyasales2](#)

➤ Customer Service :

Email service@ameya360.com

➤ Partnership :

Tel +86 (21) 64016692-8333

Email mkt@ameya360.com