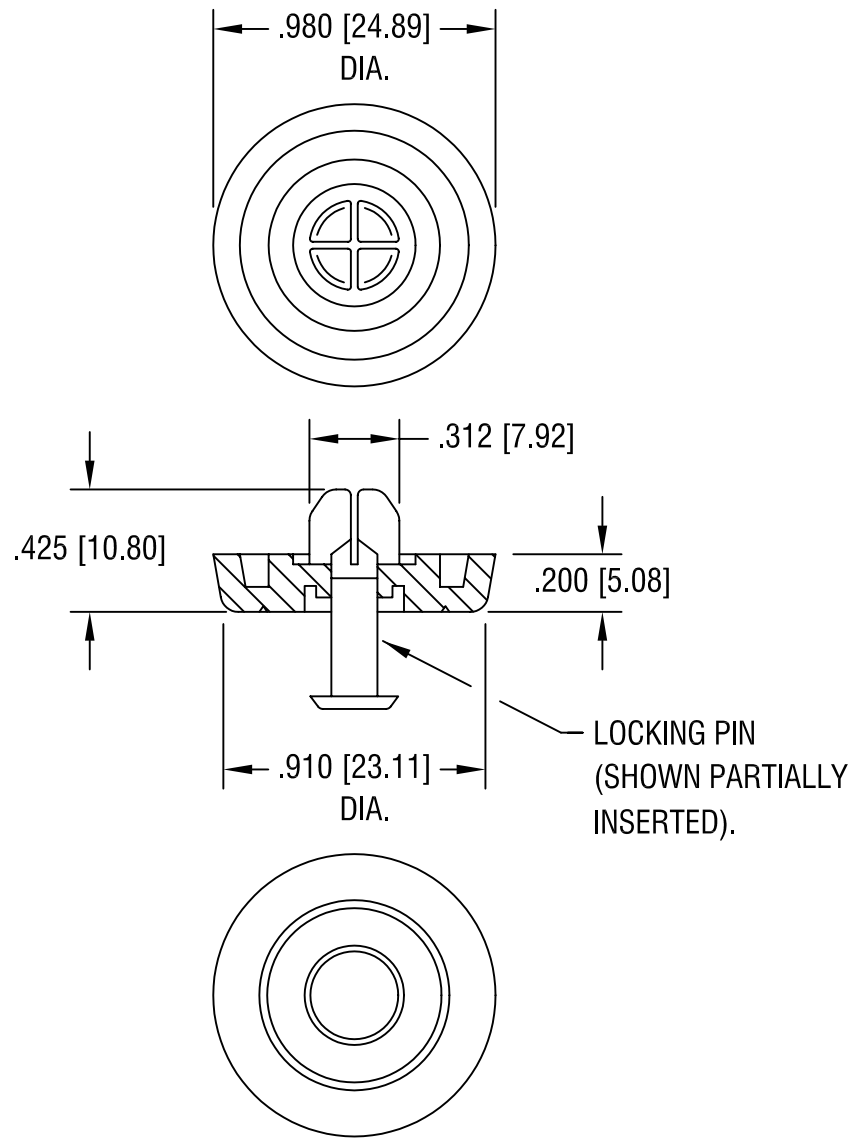


THIS DOCUMENT IS THE PROPERTY OF
KEYSTONE ELECTRONICS CORP. AND
SHALL NOT BE REPRODUCED, DISTRIBUTED
OR USED AS A BASIS FOR MANUFACTURE
WITHOUT PRIOR WRITTEN PERMISSION
FROM KEYSTONE ELECTRONICS CORP.



LOCKING PIN
(SHOWN PARTIALLY
INSERTED).

NOTE:

- 1. MAT'L:
 FOOT: SANTOPRENE, BLACK
 PIN: POLYPROPYLENE, BLACK
- 2. RECOMMENDED MOUNTING HOLE:
 .305 [7.75] DIA.

KEYSTONE ELECTRONICS CORP.			
ASTORIA, N.Y. 11105-2017			
PART NAME		SELF-LOCKING BUMPER	
MATERIAL		AS NOTED	
FINISH	DRN BY	DATE	
-	BOONE	2.24.97	
	APPD	SCALE	
	LN	1.5X	
TOLERANCES	INCH	[MM]	CODE
DECIMAL	$\pm .020$	$[\pm 0.50]$	C/M
ANGULAR	$\pm 1^\circ$		
UNLESS OTHERWISE SPECIFIED			DWG NO.
			717

DATE	DESCRIPTION	REV.

AMEYA360

Components Supply Platform

Authorized Distribution Brand :



Website :

Welcome to visit www.ameya360.com

Contact Us :

➤ Address :

401 Building No.5, JiuGe Business Center, Lane 2301, Yishan Rd
Minhang District, Shanghai , China

➤ Sales :

Direct +86 (21) 6401-6692

Email amall@ameya360.com

QQ 800077892

Skype [ameyasales1](#) [ameyasales2](#)

➤ Customer Service :

Email service@ameya360.com

➤ Partnership :

Tel +86 (21) 64016692-8333

Email mkt@ameya360.com