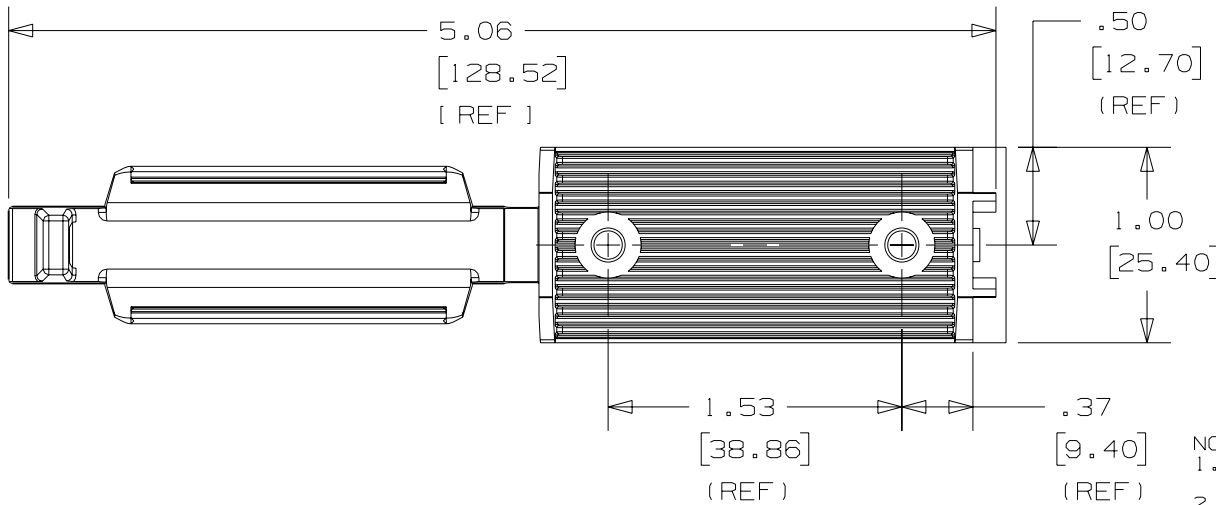


THIS COPY IS PROVIDED ON A RESTRICTED BASIS AND IS NOT TO BE USED IN ANY WAY DETRIMENTAL TO THE INTERESTS OF PANDUIT CORP.

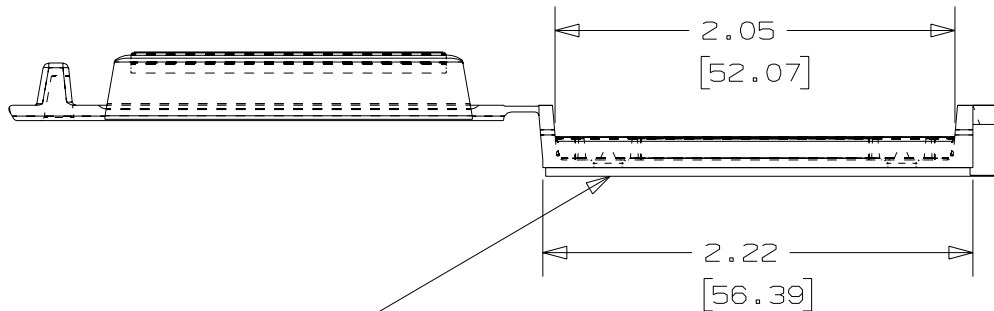


| PANDUIT PART NO. | REC'M, SCREW FASTENER            | WEIGHT<br>lbs. 100<br>(g) pcs. |
|------------------|----------------------------------|--------------------------------|
| FCM2-A           | N/A                              | 1.63<br>(738)                  |
| FCM2-S6          | #6 (M3) FLAT HEAD OR BUTTON HEAD | 1.54<br>(698)                  |

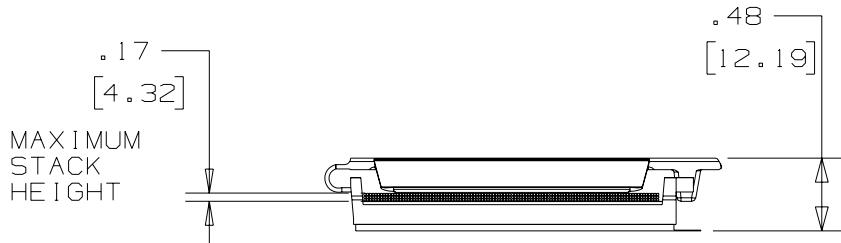
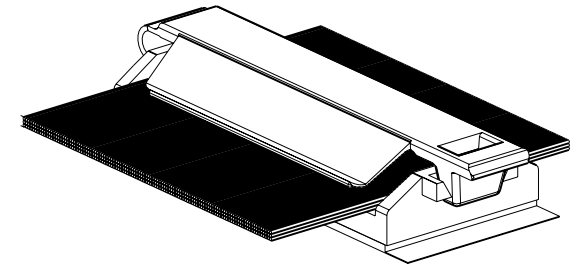
NO WARRANTY, EXPRESSED OR IMPLIED IS MADE BY PANDUIT WITH RESPECT TO ADHESIVE BOND PERFORMANCE. AMONG OTHER THINGS, THE CONDITIONS UNDER WHICH THESE MOUNTS MAY BE APPLIED AND/OR SURFACE TO WHICH THEY MAY BE APPLIED ARE BEYOND PANDUIT'S CONTROL.

NOTES:

- SEE CURRENT PRICE SHEET FOR PART NUMBER SUFFIX DESIGNATION FOR PACKAGE SIZE AND PART COLOR.
- TO APPLY MOUNT:
  - REMOVE PROTECTIVE LINER
  - PLACE IN DESIRED LOCATION
  - APPLY PRESSURE TO TOP OF MOUNT
- RECOGNIZED UNDER THE COMPONENTS PROGRAM OF UNDERWRITERS LABORATORIES, INC.



ADHESIVE TAPE: \_\_\_\_\_  
 PRESSURE SENSITIVE FOAM 0.040 (1.02 oz)  
 THICK WITH RUBBER ADHESIVE AND PROTECTIVE  
 LINER. MOUNT IS DESIGNED TO SUPPORT 1 lb. (45g)  
 MAXIMUM WEIGHT ON A CLEAN, DRY, SMOOTH,  
 GREASE-FREE SURFACE.



DIMENSIONS IN BRACKETS ARE METRIC [ mm ]

CAD FILENAME/LAYERS

G00239BE\_PB\_FCM2\_03

**PANDUIT**

CORP.

TINLEY PARK, ILLINOIS

2 INCH FLAT CABLE MOUNT FCM2

UNLESS OTHERWISE SPECIFIED,  
 DIMENSIONAL TOLERANCES ARE:  
 (.X) ±0.05 (1.3) (.XXX) ±0.010 (0.25)  
 (.XX) ±0.02 (0.5) ANGLES ± 5°

UNLESS OTHERWISE SPECIFIED,  
 ALL DIMENSIONS ARE GIVEN  
 IN INCHES, THIRD ANGLE PROJECTION.

DRAWN BY MJK

MAT'L:

SCALE NONE

DATE 10-13-92

NYLON 6/6  
 GRAY

DRAWING NO.

GB0239BE

DWG

A  
 SIZE

| REV | DATE    | BY   | CHK | DESCRIPTION   | ECN      | R | CUST | SUP |
|-----|---------|------|-----|---|----------|---|------|-----|
| 3   | 7-20-07 | TMSA |     | REVISED 5.06 DIMENSION "RIGHT LEADER" TO END OF PART (FROM END OF STEP) | GB0239BE | 3 |      |     |

# AMEYA360

## Components Supply Platform

Authorized Distribution Brand :



Website :

Welcome to visit [www.ameya360.com](http://www.ameya360.com)

Contact Us :

➤ Address :

401 Building No.5, JiuGe Business Center, Lane 2301, Yishan Rd  
Minhang District, Shanghai , China

➤ Sales :

Direct +86 (21) 6401-6692

Email [amall@ameya360.com](mailto:amall@ameya360.com)

QQ 800077892

Skype [ameyasales1](#) [ameyasales2](#)

➤ Customer Service :

Email [service@ameya360.com](mailto:service@ameya360.com)

➤ Partnership :

Tel +86 (21) 64016692-8333

Email [mkt@ameya360.com](mailto:mkt@ameya360.com)