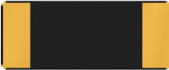


# 32.768kHz SMD LOW PROFILE CRYSTAL

ABS06



2.0 x 1.2 x 0.6mm

ABS06



RoHS/RoHS II Compliant

Moisture Sensitivity Level (MSL) – This product is Hermetically Sealed and not Moisture Sensitive - MSL = N/A: Not Applicable

## FEATURES:

- Miniature size 2.0 x 1.2 x 0.6mm ideal for high density circuit boards
- Ceramic package offers excellent environmental & heat resistance
- Extended temperature -55°C to +125°C for industrial applications

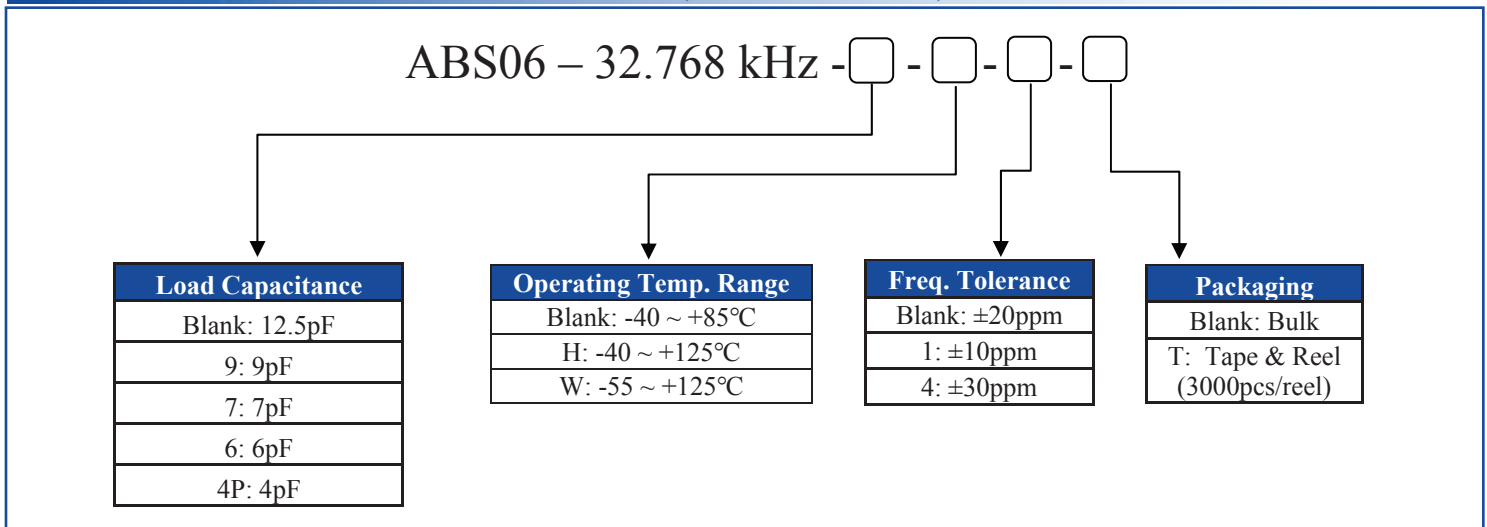
## APPLICATIONS:

- Wide range in communication & measuring equipment
- Commercial & Industrial applications
- Wireless communications
- PDA and Palm Pilots

## STANDARD SPECIFICATIONS:

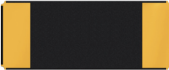
Parameters	Minimum	Typical	Maximum	Units	Notes
Frequency		32.768		kHz	
Operation Mode	Flexural Mode (Tuning Fork)				
Operating Temperature	-40		+85	°C	
Storage Temperature	-55		+125	°C	
Frequency Tolerance @+25°C	-20		+20	ppm	See options Tested at 0.5uW
Temperature Coefficient:	-0.04	-0.03	-0.02	ppm/T <sup>2</sup>	
Turn-over temperature:	+20	+25	+30	°C	
Equivalent series resistance (R1)			90	kΩ	For -40 ~ +85°C option
			110	kΩ	For -40 ~ +125°C option & -55 ~ +125°C option
Load capacitance (CL)		12.5		pF	See options
Drive Level		0.1	0.5	μW	
Q value	9000				
Aging@25°C±3°C	-3		3	ppm	First year
Insulation Resistance	500			MΩ	@ 100Vdc ± 15V

## OPTIONS AND PART IDENTIFICATION: (Left blank if standard)



# 32.768kHz SMD LOW PROFILE CRYSTAL

ABS06



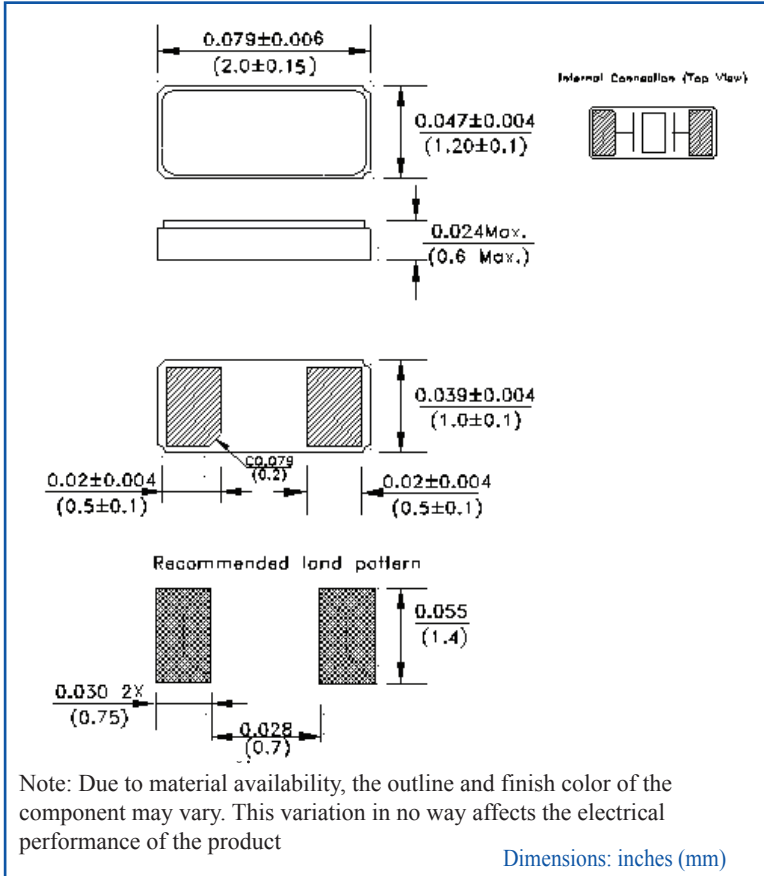
2.0 x 1.2 x 0.6mm

ABS06

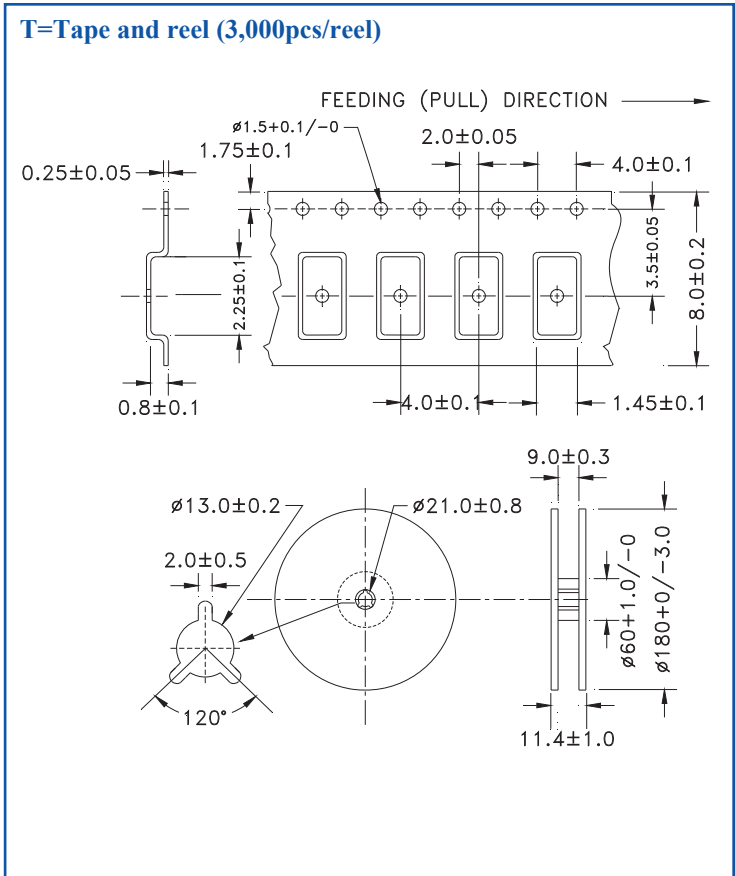


RoHS/RoHS II Compliant

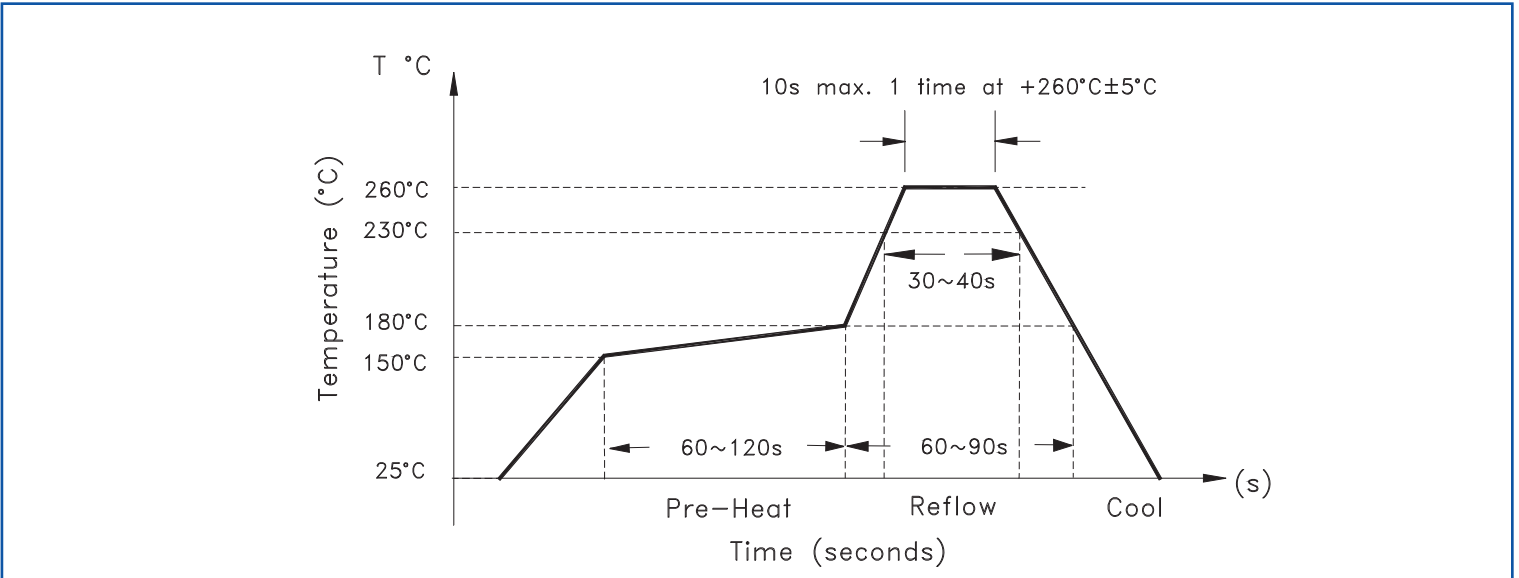
## OUTLINE DRAWING:



## TAPE & REEL:



## REFLOW PROFILE:



Need a test socket for the ABS06 Series? To view compatible **PRECISION TEST & BURN-IN SOCKETS** for these parts, [click here](#). P/N AXS-2012-02-04

**ATTENTION:** Abracon Corporation's products are COTS – Commercial-Off-The-Shelf products; suitable for Commercial, Industrial and, where designated, Automotive Applications. Abracon's products are not specifically designed for Military, Aviation, Aerospace, Life-dependant Medical applications or any application requiring high reliability where component failure could result in loss of life and/or property. For applications requiring high reliability and/or presenting an extreme operating environment, written consent and authorization from Abracon Corporation is required. Please contact Abracon Corporation for more information.

ABRACON IS  
ISO 9001:2008  
CERTIFIED



2 Faraday, Suite# B | Irvine | CA 92618 Revised: 04.09.15  
Ph. 949.546.8000 | Fax. 949.546.8001  
Visit [www.abracon.com](http://www.abracon.com) for Terms and Conditions of Sale

# AMEYA360

## Components Supply Platform

Authorized Distribution Brand :



Website :

Welcome to visit [www.ameya360.com](http://www.ameya360.com)

Contact Us :

➤ Address :

401 Building No.5, JiuGe Business Center, Lane 2301, Yishan Rd  
Minhang District, Shanghai , China

➤ Sales :

Direct +86 (21) 6401-6692

Email [amall@ameya360.com](mailto:amall@ameya360.com)

QQ 800077892

Skype [ameyasales1](#) [ameyasales2](#)

➤ Customer Service :

Email [service@ameya360.com](mailto:service@ameya360.com)

➤ Partnership :

Tel +86 (21) 64016692-8333

Email [mkt@ameya360.com](mailto:mkt@ameya360.com)