

PowerLAN™ Master Gateway Battery Management Controller With PowerPump™ Cell Balancing Technology

FEATURES

- **bq78PL114 Designed for Managing 3- to 8-Series-Cell Battery Systems**
- **bq78PL114S12 Firmware Upgrade Supports 3- to 12-Series-Cell Battery Systems**
 - Adds Support for LCD and Electronic Paper Displays or EPDs
 - Configurable for 11-A, 26-A, or 110-A Operating Currents
- **Systems With More Than Four Series Cells Require External bq76PL102 Dual-Cell Monitors**
- **SmartSafety Features:**
 - Prevention: Optimal Cell Management
 - Diagnosis: Improved Sensing of Cell Problems
 - Fail Safe: Detection of Event Precursors
- **Rate-of-Change Detection of All Important Cell Characteristics:**
 - Voltage
 - Impedance
 - Cell Temperature
- **PowerPump Technology Transfers Charge Efficiently From Cell to Cell During All Operating Conditions, Resulting in Longer Run Time and Cell Life**
 - **bq78PL114S12 Adds User-Configurable PowerPump Cell-Balancing Modes**
- **High-Resolution 18-Bit Integrating Delta-Sigma Coulomb Counter for Precise Charge-Flow Measurements and Gas Gauging**
- **Multiple Independent Δ - Σ ADCs: One-per-Cell Voltage, Plus Separate Temperature, Current, and Safety**
- **Simultaneous, Synchronous Measurement of Pack Current and Individual Cell Voltages**
- **Very Low Power Consumption**
 - **bq78PL114: < 250 μ A Active, < 150 μ A Standby, < 40 μ A Ship, and < 1 μ A Undervoltage Shutdown**
 - **bq78PL114S12: < 300 μ A Active, < 185 μ A Standby, < 85 μ A Ship, and < 1 μ A Undervoltage Shutdown**
- **Accurate, Advanced Temperature Monitoring of Cells and MOSFETs With up to 12 Sensors**
- **Fail-Safe Operation of Pack Protection Circuits: Up to Three Power MOSFETs and One Secondary Safety Output (Fuse)**
- **Fully Programmable Voltage, Current, Balance, and Temperature-Protection Features**
- **External Inputs for Auxiliary MOSFET Control**
- **Smart Battery System 1.1 Compliant via SMBus**

APPLICATIONS

- **Portable Medical Instruments and Test Equipment**
- **Mobility Devices (E-Bike)**
- **Uninterruptible Power Supplies and Hand-Held Tools**

DESCRIPTION

The bq78PL114 master gateway battery controller is part of a complete Li-Ion control, monitoring, and safety solution designed for large series cell strings.

The bq78PL114 and bq78PL114S12 along with bq76PL102 PowerLAN™ dual-cell monitors provide complete battery-system control, communications, and safety functions for a structure of three up to twelve series cells. This PowerLAN system provides simultaneous, synchronized voltage and current measurements using one A/D per-cell technology. This eliminates system-induced noise from measurements and allows the precise, continuous, real-time calculation of cell impedance under all operating conditions, even during widely fluctuating load conditions.

PowerPump technology transfers charge between cells to balance their voltage and capacity. Balancing is possible during all battery modes: charge, discharge, and rest. Highly efficient charge-transfer circuitry nearly eliminates energy loss while providing true real-time balance between cells, resulting in longer run-time and improved cycle life.



Please be aware that an important notice concerning availability, standard warranty, and use in critical applications of Texas Instruments semiconductor products and disclaimers thereto appears at the end of this data sheet.

PowerLAN, PowerPump, bqWizard are trademarks of Texas Instruments.
All other trademarks are the property of their respective owners.



These devices have limited built-in ESD protection. The leads should be shorted together or the device placed in conductive foam during storage or handling to prevent electrostatic damage to the MOS gates.

DESCRIPTION (CONTINUED)

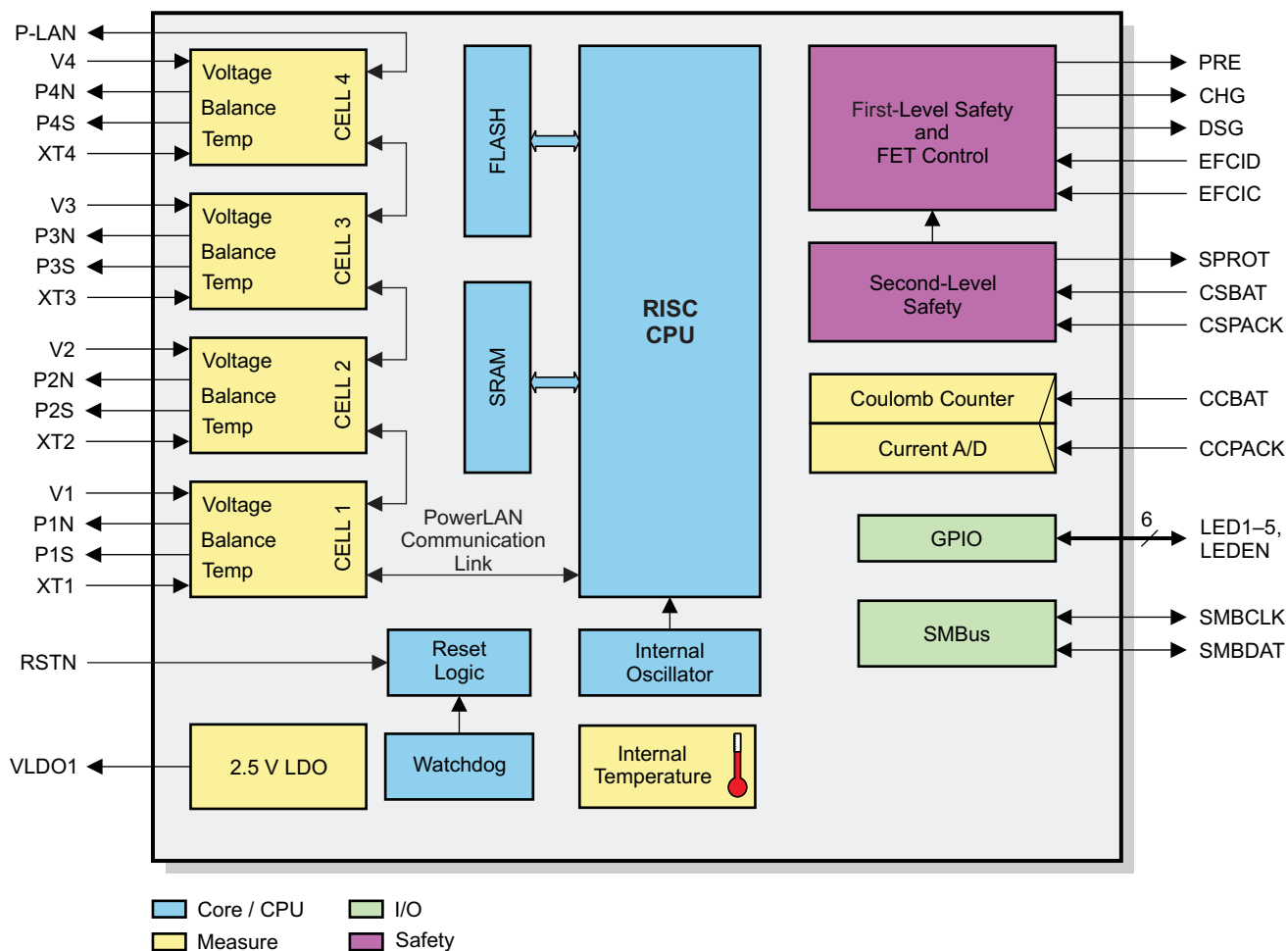
Temperature is sensed by up to 12 external sensors and one on-chip sensor. This permits accurate temperature monitoring of each cell individually. Firmware is then able to compensate for the temperature-induced effects on capacity, impedance, and OCV on a cell-by-cell basis, resulting in superior charge/ discharge and balancing control.

External MOSFET control inputs provide user- definable direct hardware control over MOSFET states. Smart control prevents excessive current through MOSFET body diodes. Auxiliary inputs can be used for enhanced safety and control in large multicell arrays.

The bq78PL114 is completely user-configurable, with parametric tables in flash memory to suit a variety of cell chemistries, operating conditions, safety controls, and data reporting needs. It is easily configured using the supplied bqWizard™ graphical user interface (GUI). The device is fully programmed and requires no algorithm or firmware development.

The bq78PL114 can be upgraded to the bq78PL114S12 by downloading the bq78PL114S12 firmware. The firmware can be downloaded using the bqWizard application or during manufacturing. Upgrading to the bq78PL114S12 changes the functionality of the LED1–LED5, LEDEN, and N/C pin #29. The bq78PL114S12 pin functions of LED1/SEG1–LED5/SEG5, PSH/BP/TP, and FIELD support LED, LCD, and electronic paper displays (EPDs). The user can configure the bq78PL114S12 for the desired display type.

In this document all descriptions for the bq78PL114 apply to the bq78PL114S12 except where different bq78PL114S12 functionality is specifically described.



B0320-02

Figure 1. bq78PL114 Internal Block Diagram

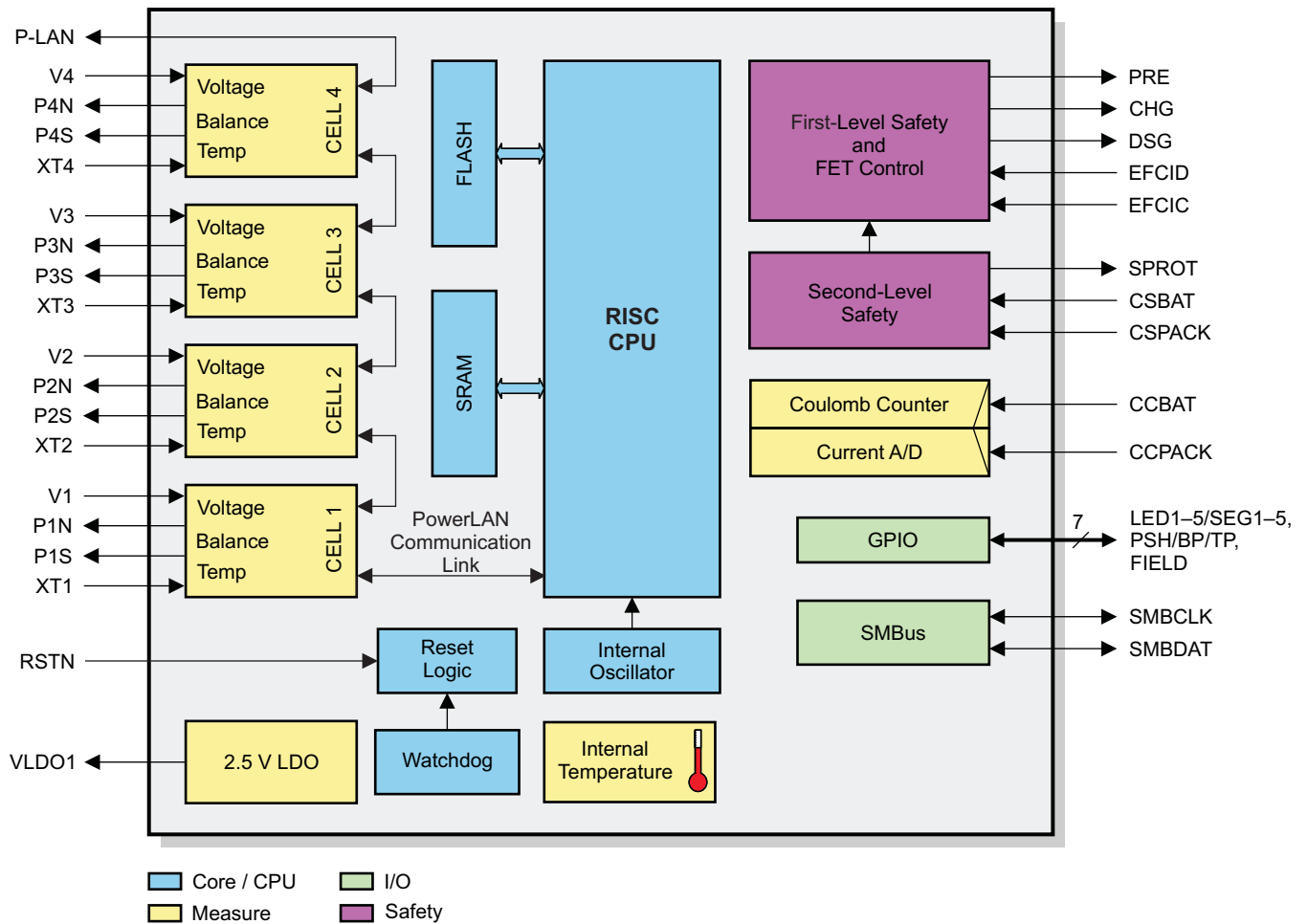
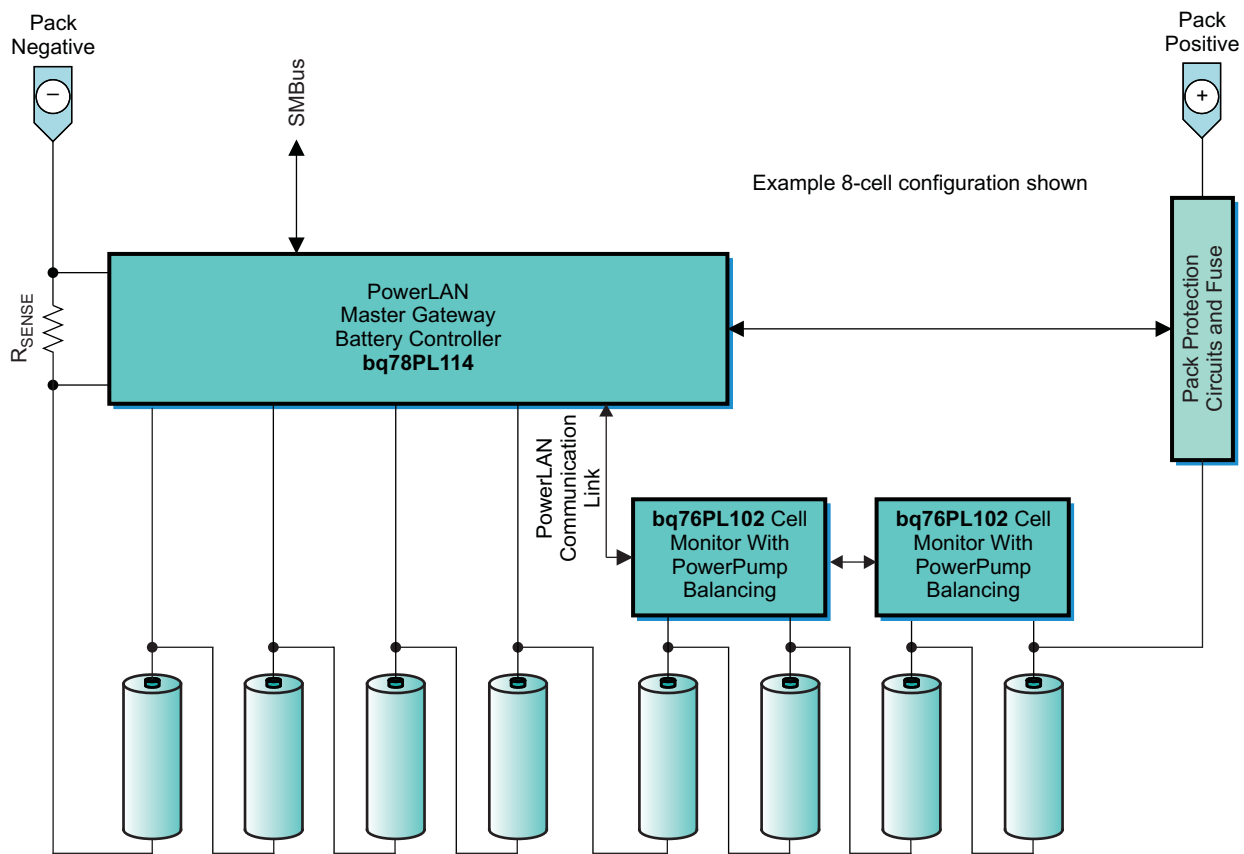


Figure 2. bq78PL114S12 Internal Block Diagram

B0320-03



B0332-01

Figure 3. Example bq78PL114 PowerLAN Multicell System Implementation (8 Cells)

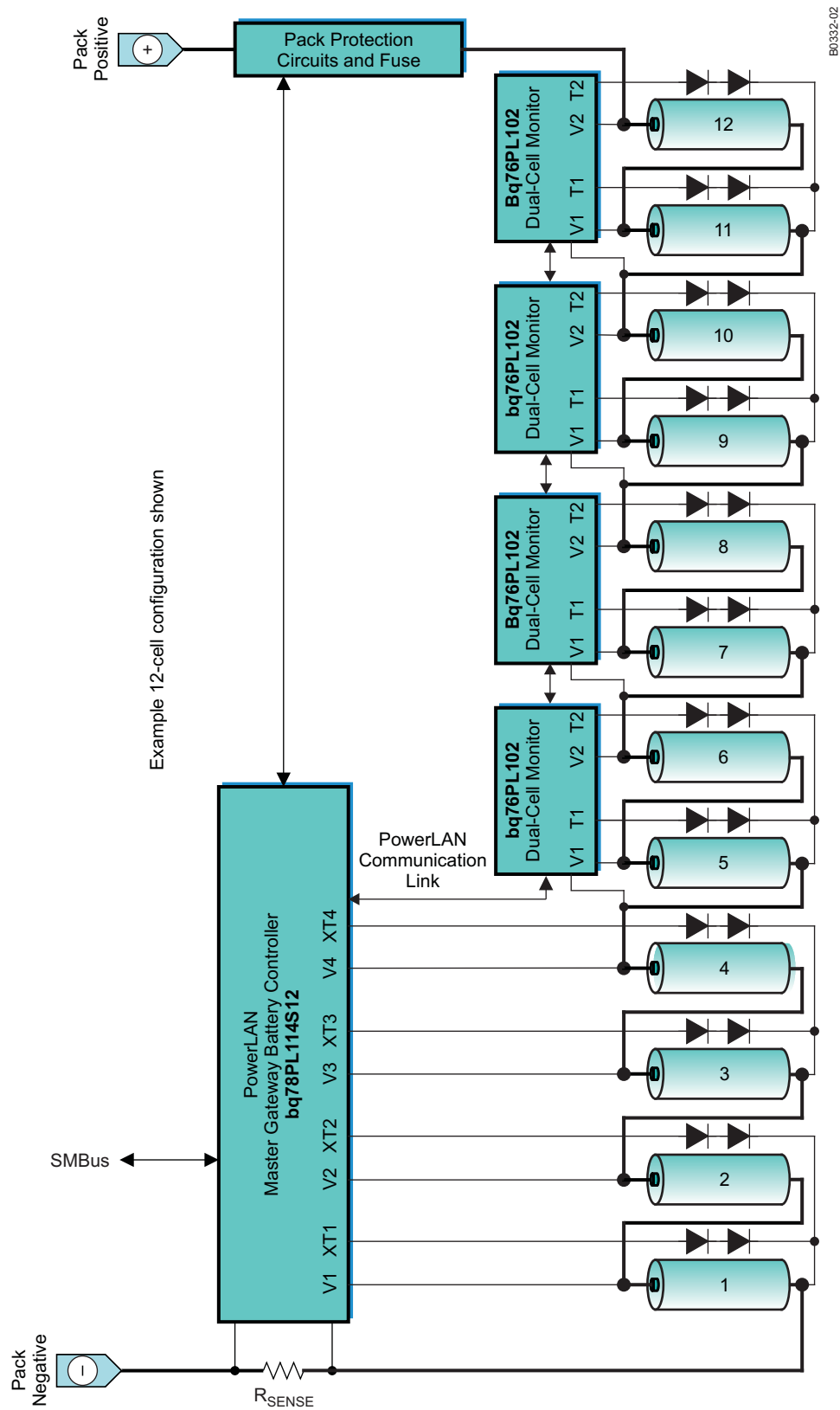


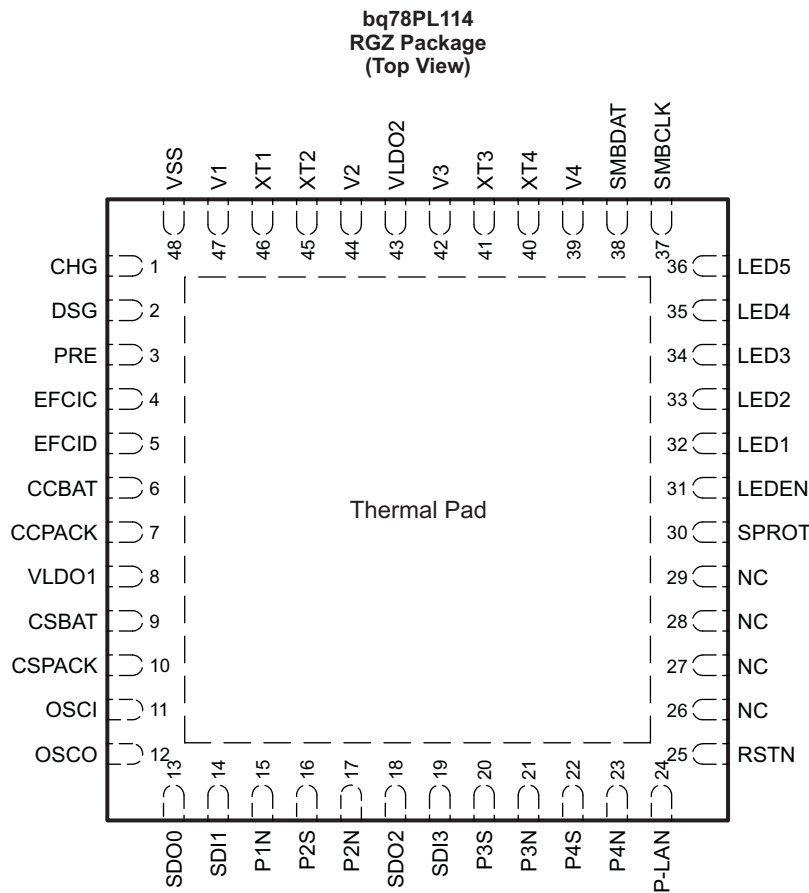
Figure 4. Example bq78PL114S12 System Implementation (12 Cells)

ORDERING INFORMATION

| Product | Cell Configuration ⁽¹⁾ | Package | Package Designator | Temperature Range | Ordering Number | Quantity, Transport Media |
|--------------|-----------------------------------|---------------------|--------------------|-------------------|-----------------|-------------------------------|
| bq78PL114 | 3 to 8 series cells | QFN-48, 7-mm x 7-mm | RGZ | –40°C to 85°C | bq78PL114RGZT | 250, tape and reel |
| | | | | | bq78PL114RGZR | 2500, tape and reel |
| bq78PL114S12 | 3 to 12 series cells | N/A | N/A | N/A | N/A | Firmware download and upgrade |

(1) For configurations consisting of more than four series cells, additional bq76PL102 parts must be used.

AVAILABLE OPTIONS



P0023-16

Figure 5. bq78PL114 Pinout

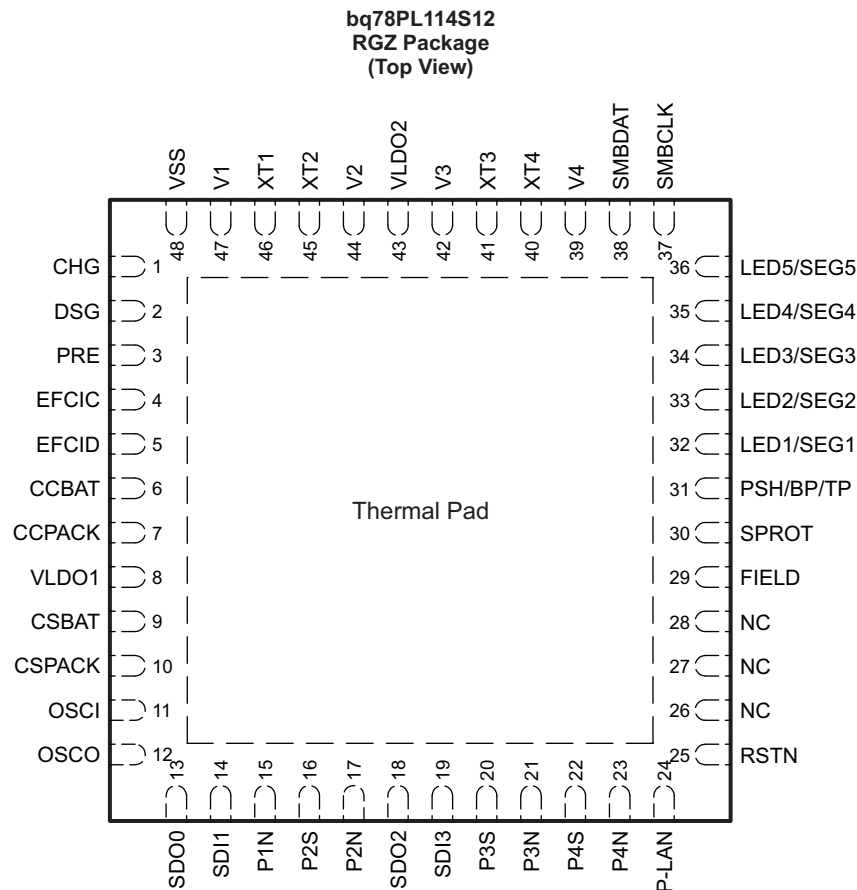
bq78PL114 TERMINAL FUNCTIONS

| NAME | NO. | TYPE ⁽¹⁾ | DESCRIPTION |
|--------|-----|---------------------|---|
| CCBAT | 6 | IA | Coulomb counter input (sense resistor), connect to battery negative |
| CCPACK | 7 | IA | Coulomb counter input (sense resistor), connect to pack negative |
| CHG | 1 | O | Charge MOSFET control (active-high, low opens MOSFET) |
| CSBAT | 9 | IA | Current sense input (safety), connect to battery negative |
| CSPACK | 10 | IA | Current sense input (safety), connect to pack negative |
| DSG | 2 | O | Discharge MOSFET control (active-high, low opens MOSFET) |
| EFCIC | 4 | I | External charge MOSFET control input |

(1) I – input, IA – analog input, O – output, OA – analog output, P – power

bq78PL114 TERMINAL FUNCTIONS (continued)

| NAME | NO. | TYPE ⁽¹⁾ | DESCRIPTION |
|--------|--------|---------------------|--|
| EFCID | 5 | I | External discharge MOSFET control input |
| LED1 | 32 | O | LED1 – open-drain, active-low |
| LED2 | 33 | O | LED2 – open-drain, active-low |
| LED3 | 34 | O | LED3 – open-drain, active-low |
| LED4 | 35 | O | LED4 – open-drain, active-low |
| LED5 | 36 | O | LED5 – open-drain, active-low |
| LEDEN | 31 | IO | LEDEN – common-anode drive (active-low) and pushbutton input |
| NC | 26 | IO | Connect 1-M Ω resistor to VSS |
| NC | 27 | I | Connect 1-M Ω resistor to VSS |
| NC | 28, 29 | O | No connect |
| OSCI | 11 | I | External oscillator input (no connect, internal oscillator used) |
| OSCO | 12 | O | External oscillator output (no connect, internal oscillator used) |
| P1N | 15 | O | Charge-balance gate drive, cell 1 north |
| P2S | 16 | O | Charge-balance gate drive, cell 2 south |
| P2N | 17 | O | Charge-balance gate drive, cell 2 north |
| P3N | 21 | O | Charge-balance gate drive, cell 3 north |
| P3S | 20 | O | Charge-balance gate drive, cell 3 south |
| P4N | 23 | O | Charge-balance gate drive, cell 4 north |
| P4S | 22 | O | Charge-balance gate drive, cell 4 south |
| P-LAN | 24 | IO | PowerLAN I/O to external bq76PL102 nodes |
| PRE | 3 | O | Precharge MOSFET control (active-high) |
| RSTN | 25 | I | Device reset, active-low |
| SDI1 | 14 | I | Connect to SDO0 via a capacitor |
| SDI3 | 19 | I | Internal PowerLAN connection – connect to SDO2 through a 0.01- μ F capacitor |
| SDO0 | 13 | O | Requires 100-k Ω pullup resistor to VLDO1 |
| SDO2 | 18 | O | Internal PowerLAN connection – connect to SDI3 through a 0.01- μ F capacitor |
| SMBCLK | 37 | IO | SMBus clock signal |
| SMBDAT | 38 | IO | SMBus data signal |
| SPROT | 30 | O | Secondary protection output, active-high (FUSE) |
| V1 | 47 | IA | Cell-1 positive input |
| V2 | 44 | IA | Cell-2 positive input |
| V3 | 42 | IA | Cell-3 positive input |
| V4 | 39 | IA | Cell-4 positive input |
| VLDO1 | 8 | P | Internal LDO-1 output, bypass with 10- μ F capacitor to VSS |
| VLDO2 | 43 | P | Internal LDO-2 output, bypass with 10- μ F capacitor to V2 |
| VSS | 48 | IA | Cell-1 negative input |
| XT1 | 46 | IA | External temperature-sensor-1 input |
| XT2 | 45 | IA | External temperature-sensor-2 input |
| XT3 | 41 | IA | External temperature-sensor-3 input |
| XT4 | 40 | IA | External temperature-sensor-4 input |
| – | – | P | Thermal pad. Connect to VSS |



P0023-20

Figure 6. bq78PL114S12 Pinout

bq78PL114S12 TERMINAL FUNCTIONS

| NAME | NO. | TYPE ⁽¹⁾ | DESCRIPTION |
|-----------|--------|---------------------|---|
| CCBAT | 6 | IA | Coulomb counter input (sense resistor), connect to battery negative |
| CCPACK | 7 | IA | Coulomb counter input (sense resistor), connect to pack negative |
| CHG | 1 | O | Charge MOSFET control (active-high, low opens MOSFET) |
| CSBAT | 9 | IA | Current sense input (safety), connect to battery negative |
| CSPACK | 10 | IA | Current sense input (safety), connect to pack negative |
| DSG | 2 | O | Discharge MOSFET control (active-high, low opens MOSFET) |
| EFCIC | 4 | I | External charge MOSFET control input |
| EFCID | 5 | I | External discharge MOSFET control input |
| FIELD | 29 | O | EPD field segment |
| LED1/SEG1 | 32 | O | LED1 – open-drain, active-low, LCD and EPD segment 1 |
| LED2/SEG2 | 33 | O | LED2 – open-drain, active-low, LCD and EPD segment 2 |
| LED3/SEG3 | 34 | O | LED3 – open-drain, active-low, LCD and EPD segment 3 |
| LED4/SEG4 | 35 | O | LED4 – open-drain, active-low, LCD and EPD segment 4 |
| LED5/SEG5 | 36 | O | LED5 – open-drain, active-low, LCD and EPD segment 5 |
| N/C | 26, 27 | IO | Connect 1-M Ω resistor to VSS |
| N/C | 28 | O | No connect |
| OSCI | 11 | I | External oscillator input (no connect, internal oscillator used) |

(1) I – input, IA – analog input, O – output, OA – analog output, P – power

bq78PL114S12 TERMINAL FUNCTIONS (continued)

| NAME | NO. | TYPE ⁽¹⁾ | DESCRIPTION |
|-----------|-----|---------------------|--|
| OSCO | 12 | O | External oscillator output (no connect, internal oscillator used) |
| P1N | 15 | O | Charge-balance gate drive, cell 1 north |
| P2N | 17 | O | Charge-balance gate drive, cell 2 north |
| P2S | 16 | O | Charge-balance gate drive, cell 2 south |
| P3N | 21 | O | Charge-balance gate drive, cell 3 north |
| P3S | 20 | O | Charge-balance gate drive, cell 3 south |
| P4N | 23 | O | Charge-balance gate drive, cell 4 north |
| P4S | 22 | O | Charge-balance gate drive, cell 4 south |
| P-LAN | 24 | IO | PowerLAN I/O to external bq76PL102 nodes |
| PRE | 3 | O | Precharge MOSFET control (active-high) |
| PSH/BP/TP | 31 | IO | Pushbutton detect for LED display, LCD backplane, EPD top plane and charge pump |
| RSTN | 25 | I | Device reset, active-low |
| SDI1 | 14 | I | Connect to SDO0 via a capacitor |
| SDI3 | 19 | I | Internal PowerLAN connection – connect to SDO2 through a 0.01- μ F capacitor |
| SDO0 | 13 | O | Requires 100-k Ω pullup resistor to VLDO1 |
| SDO2 | 18 | O | Internal PowerLAN connection – connect to SDI3 through a 0.01- μ F capacitor |
| SMBCLK | 37 | IO | SMBus clock signal |
| SMBDAT | 38 | IO | SMBus data signal |
| SPROT | 30 | O | Secondary protection output, active-high (FUSE) |
| V1 | 47 | IA | Cell-1 positive input |
| V2 | 44 | IA | Cell-2 positive input |
| V3 | 42 | IA | Cell-3 positive input |
| V4 | 39 | IA | Cell-4 positive input |
| VLDO1 | 8 | P | Internal LDO-1 output, bypass with 10- μ F capacitor to VSS |
| VLDO2 | 43 | P | Internal LDO-2 output, bypass with 10- μ F capacitor to V2 |
| VSS | 48 | IA | Cell-1 negative input |
| XT1 | 46 | IA | External temperature-sensor-1 input |
| XT2 | 45 | IA | External temperature-sensor-2 input |
| XT3 | 41 | IA | External temperature-sensor-3 input |
| XT4 | 40 | IA | External temperature-sensor-4 input |
| – | – | P | Thermal pad. Connect to VSS |

ABSOLUTE MAXIMUM RATINGS⁽¹⁾

over operating free-air temperature range (unless otherwise noted)

| | | RANGE | UNITS |
|--|---|-----------------------------|-------|
| T_A | Operating free-air temperature (ambient) | –40 to 85 | °C |
| T_{stg} | Storage temperature | –65 to 150 | °C |
| V4–V3 | Maximum cell voltage | –0.5 to 5.0 | V |
| V3–V2 | Maximum cell voltage | –0.5 to 5.0 | V |
| V2–V1 | Maximum cell voltage | –0.5 to 5.0 | V |
| V1–VSS | Maximum cell voltage | –0.5 to 5.0 | V |
| Voltage on LEDEN, SPROT, CCBAT, CCPACK, CSBAT, CSPACK, XT1, XT2, OSCI, OSCO, P-LAN | Maximum voltage on any I/O pin with respect to VSS | –0.5 to (VLDO1 + 0.5) | V |
| Voltage on PSH/BP/TP (bq78PL114S12) | Maximum voltage range with respect to VSS | –0.5 to (VLDO1 + 0.5) | V |
| Voltage on LED1–LED5 | Maximum voltage on I/O pin with respect to VSS | –0.5 to 5.5 | V |
| Voltage on LED1/SEG1–LED5/SEG5 (bq78PL114S12) | Maximum voltage on I/O pin | –0.5 to 5.5 | V |
| Voltage on XT3, XT4 | Maximum voltage range with respect to V2 | (V2 – 0.5) to (VLDO2 + 0.5) | V |
| EFCIC, EFCID | Maximum voltage range with respect to VSS | –0.5 to 5.5 | V |
| Voltage on SMBCLK, SMBDAT | Maximum voltage range with respect to VSS | –0.5 to 6 | V |
| Voltage on PRE, CHG, DSG | Maximum voltage range with respect to VSS | –0.5 to (VLDO1 + 0.5) | V |
| Current through PRE, CHG, DSG, LED1–LED5, P-LAN | Maximum current source/sink | 20 | mA |
| Current through LED1/SEG1–LED5/SEG5, (bq78PL114S12, LED mode) | Maximum current source/sink | 20 | mA |
| VLDO1 maximum current | Maximum current draw from VLDO | 20 | mA |
| ESD tolerance | JEDEC, JESD22-A114 human-body model, R = 1500 Ω , C = 100 pF | 2 | kV |
| Lead temperature, soldering | Total time < 3 seconds | 300 | °C |

(1) Stresses beyond those listed under *Absolute Maximum Ratings* may cause permanent damage to the device. These are stress ratings only, and functional operation of the device at these or any other conditions beyond those indicated under *Recommended Operating Conditions* is not implied. Exposure to absolute-maximum-rated conditions for extended periods may affect device reliability.

RECOMMENDED OPERATING CONDITIONS

over operating free-air temperature range (unless otherwise noted)

| | | MIN | NOM | MAX | UNIT |
|---------------|--|-----|-----|-----|---------|
| V_{SUP} | Supply voltage—V1, V2, V3, V4 | 2.3 | | 4.5 | V |
| $V_{Startup}$ | Minimum startup voltage—V1, V2 | 2.9 | | | V |
| V_{IN} | Input cell voltage range—V(n+1) – V(n), n = 1, 2, 3, 4 | 0 | | 4.5 | V |
| C_{VLDO1} | VLDO 1 capacitor—VLDO1 | 2.2 | 10 | 47 | μ F |
| C_{VLDO2} | VLDO 2 capacitor—VLDO2 | 2.2 | 10 | 47 | μ F |
| C_{Vn} | Cell-voltage capacitor—Vn | 1 | | | μ F |

ELECTRICAL CHARACTERISTICS

$T_A = -40^\circ\text{C}$ to 85°C (unless otherwise noted)

DC Characteristics

| PARAMETER | TEST CONDITIONS | MIN | TYP | MAX | UNIT |
|--|---|-------------------------|------------------------|-----|---------------|
| $V_{\text{CELL}}^{(1)}$ Operating range | Cells balanced | 2.3 | | 4.5 | V |
| I_{DD} Operating-mode current | Measure / report state, bq78PLL114 | | 250 | | μA |
| | Measure / report state, bq78PLL114S12 | | 300 | | |
| I_{STBY} Standby-mode current | SMBCLK = SMBDAT = L, bq78PLL114 | | 100 | | μA |
| | SMBCLK = SMBDAT = L, bq78PLL114S12 | | 185 | | |
| I_{SHIP} Ship-mode current | bq78PLL114 | | 30 | | μA |
| | bq78PLL114S12 | | 85 | | |
| I_{ECUV} Extreme cell under voltage shutdown current | All cells < 2.7 V and any cell < ECUV set point | | | 1 | μA |
| V_{OL} SPROT, LEDEN, PSH/BP/TP(bq78PL114S12), FIELD(bq78PL114S12) | $I_{\text{OL}} < 4 \text{ mA}$ | 0 | | 0.5 | V |
| $V_{\text{OH}}^{(2)}$ SPROT, LEDEN, PSH/BP/TP(bq78PL114S12), FIELD(bq78PL114S12) | $I_{\text{OH}} < -4 \text{ mA}$ | $V_{\text{LDO1}} - 0.1$ | | | V |
| V_{IL} SPROT, LEDEN, PSH/BP/TP(bq78PL114S12), FIELD(bq78PL114S12) | | | $0.25 V_{\text{LDO1}}$ | | V |
| V_{IH} SPROT, LEDEN, PSH/BP/TP(bq78PL114S12), FIELD(bq78PL114S12) | | $0.75 V_{\text{LDO1}}$ | | | V |

(1) Device should be configured to enter shutdown state when cell voltages are below 2.5 V.

(2) Does not apply to SMBus pins.

Voltage-Measurement Characteristics

over operating free-air temperature range (unless otherwise noted)

| PARAMETER | TEST CONDITIONS | MIN | TYP | MAX | UNIT |
|-------------------|-----------------|-----|----------|-----|------|
| Measurement range | | 2.5 | | 4.5 | V |
| Resolution | | | <1 | | mV |
| Accuracy | 25°C | | ± 5 | | mV |
| | 0°C to 60°C | | ± 10 | | |

Current-Sense Characteristics

over operating free-air temperature range (unless otherwise noted)

| PARAMETER | TEST CONDITIONS | MIN | TYP | MAX | UNIT |
|---|------------------------------|--------|-------|-------|--------|
| Measurement range ⁽¹⁾ (bq78PL114) | | −0.2 | | 0.2 | V |
| Measurement range ⁽²⁾ (bq78PL114S12, 3-mΩ sense resistor) | | −0.077 | | 0.077 | V |
| Measurement range ⁽²⁾ (bq78PL114S12, 1-mΩ and 10-mΩ sense resistors) | | −0.1 | | 0.1 | V |
| Input offset | T _A = 25°C | | ±50 | | μV |
| Offset drift | T _A = 0°C to 60°C | | 0.5 | | μV/°C |
| Resolution (bq78PL114) | | | 18 | | μV |
| Resolution (bq78PL114S12, 3-mΩ sense resistor) | | | 6.9 | | μV |
| Resolution (bq78PL114S12, 1-mΩ and 10-mΩ sense resistors) | | | 10 | | μV |
| Full-scale error ⁽³⁾ | T _A = 25°C | | ±0.1% | | |
| Full-scale error drift | T _A = 0°C to 60°C | | 50 | | PPM/°C |

(1) Default range. Corresponds to ±10 A using a 5-mΩ sense resistor.

(2) The bq78PL114S12 firmware upgrade supports three sense-resistor options, 10 mΩ, 3 mΩ, and 1 mΩ.

(3) After calibration. Accuracy is dependent on system calibration and temperature coefficient of sense resistor.

Coulomb-Counter Characteristics⁽¹⁾ (2)

over operating free-air temperature range (unless otherwise noted)

| PARAMETER | TEST CONDITIONS | MIN | TYP | MAX | UNIT |
|-------------------------|-----------------|-----|---------------------|-----|------|
| Resolution | | | 5 | | nVh |
| Integral nonlinearity | | | 0.008% | | |
| Snap-to-zero (deadband) | | | ±100 ⁽³⁾ | | μV |

(1) Shares common input with current-sense section

(2) After calibration. accuracy is dependent on system calibration and temperature coefficient of sense resistor.

(3) Corresponds to 20 mA using 5-mΩ sense resistor

Current-Sense (Safety) Characteristics⁽¹⁾

over operating free-air temperature range (unless otherwise noted)

| PARAMETER | TEST CONDITIONS | MIN | TYP | MAX | UNIT |
|-------------------|---|--------|------|-------|------|
| Measurement range | | −0.312 | | 0.312 | V |
| Resolution | Short-circuit detection | | 10 | | mV |
| | Overcurrent detection, charge and discharge | | 1.25 | | |

(1) Post calibration: Dependent on system calibration and temperature coefficient of sense resistor. Uncertainty is 1.5 LSB.

Internal Temperature-Sensor Characteristics⁽¹⁾

over operating free-air temperature range (unless otherwise noted)

| PARAMETER | TEST CONDITIONS | MIN | TYP | MAX | UNIT |
|-------------------------|-----------------|-----|-----|-----|------|
| Measurement range | | −30 | | 85 | °C |
| Resolution | | | 0.1 | | °C |
| Accuracy ⁽¹⁾ | −30° to 85° | | ±1 | | °C |

(1) After calibration

LDO Voltage Characteristics⁽¹⁾

over operating free-air temperature range (unless otherwise noted)

| PARAMETER | | TEST CONDITIONS | MIN | TYP | MAX | UNIT |
|-------------------|---|---|-------|-----|-------|------|
| V _{LDO1} | LDO1 operating voltage, referenced to VSS | T _A = –40C to 85C, load = 200 μA | 2.425 | 2.5 | 2.575 | V |
| V _{LDO2} | LDO2 operating voltage, referenced to V2 | T _A = –40C to 85C, load = 2 mA | 2.425 | 2.5 | 2.575 | V |

(1) After calibration

External Temperature-Sensor(s) Typical Characteristics⁽¹⁾

over operating free-air temperature range (unless otherwise noted)

| PARAMETER | TEST CONDITIONS | MIN | TYP | MAX | UNIT |
|----------------------------------|-----------------|-----|-----|-----|------|
| Measurement range ⁽²⁾ | | –40 | | 90 | °C |
| Resolution | | | 0.2 | | °C |
| Accuracy ⁽³⁾ | 25° | | ±1 | | °C |
| | 0° to 85° | | ±2 | | |

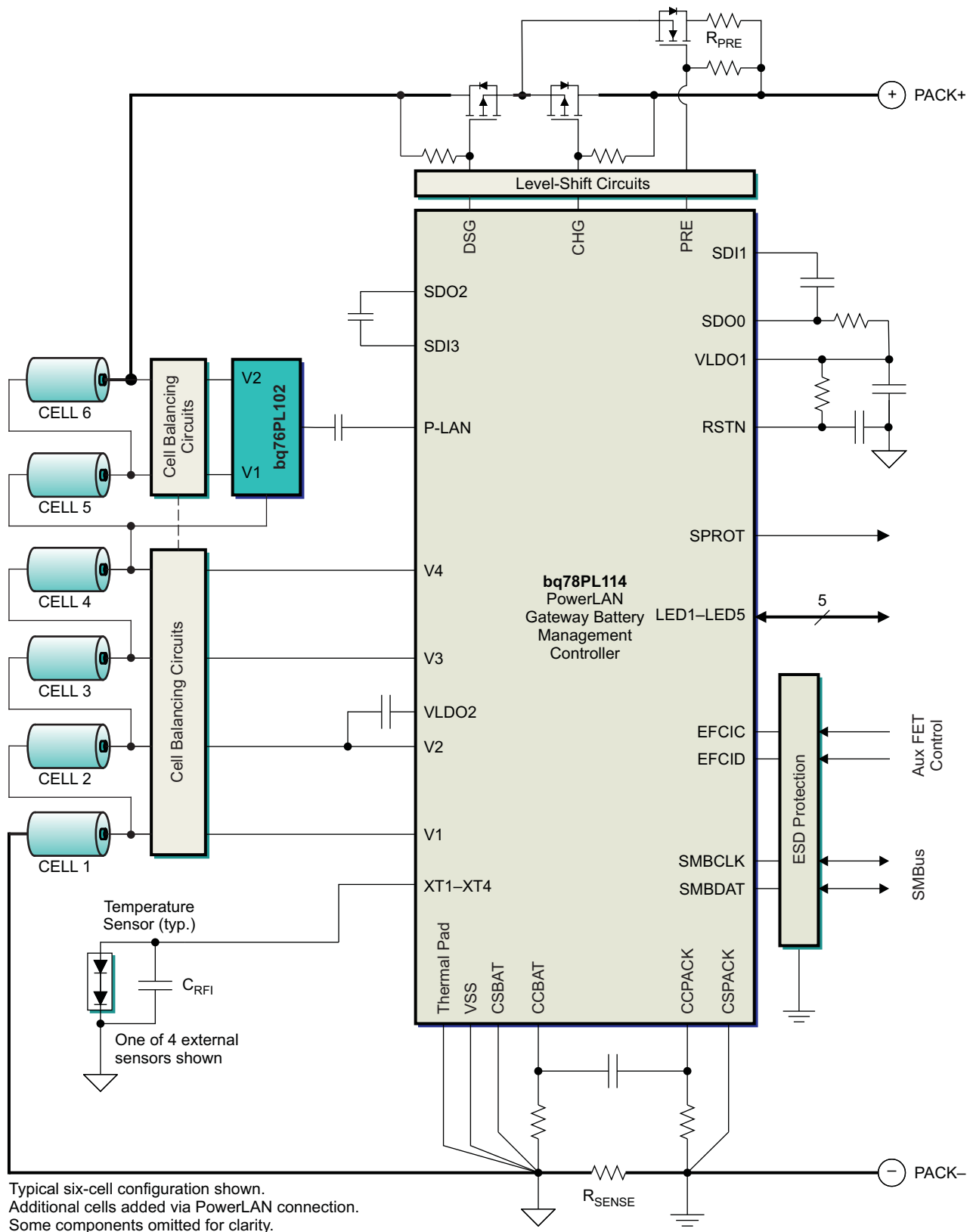
- (1) Typical for dual-diode (MMBD4148 or equivalent) external sensor using recommended circuit
- (2) Range of diode sensors may exceed operational limits of IC and battery cells.
- (3) Typical behavior after calibration, final result dependent on specific component characteristics

SMBus Characteristics⁽¹⁾

over operating free-air temperature range (unless otherwise noted)

| PARAMETER | TEST CONDITIONS | MIN | TYP | MAX | UNIT |
|--------------------------------|----------------------------------|------------------------------|------|------|------|
| V _{IL} | Input low voltage | 0 | | 0.8 | V |
| V _{IH} | Input high voltage | 2.1 | | 5.5 | V |
| V _{OL} | Output low voltage | 350-μA sink current | 0 | 0.4 | V |
| C _I | Capacitance, each I/O pin | | | 10 | pF |
| f _{SCL} | SCLK nominal clock frequency | T _A = 25°C | 100 | | kHz |
| R _{PU} ⁽²⁾ | Pullup resistors for SCLK, SDATA | V _{BUS} 5 V nominal | 13.3 | 45.3 | kΩ |
| | | V _{BUS} 3 V nominal | 2.4 | 6.8 | |

- (1) SMBus timing and signals meet the SMBus 2.0 specification requirements under normal operating conditions. All signals are measured with respect to PACK-negative.
- (2) Pullups are typically implemented external to the battery pack, and are selected to meet SMBus requirements.



S0342-02

Figure 7. bq78PL114 Simplified Example Circuit Diagram

FEATURE SET

Primary (First-Level) Safety Features

The bq78PL114 implements a breadth of system protection features which are easily configured by the customer. First-level protections work by controlling the MOSFET switches. These include:

- Battery cell over/undervoltage protection
- Pack over/undervoltage protection
- Charge and discharge overcurrent protection
- Short-circuit protection
- External MOSFET control inputs (EFCIx) with programmable polarity
- Up to 12 external temperature inputs for accurate cell and MOSFET monitoring
- Watchdog timer protection
- Brownout detection and protection against extreme pack undervoltage

Secondary (Second-Level) Safety Features

The bq78PL114 can detect more serious system faults and activate the SPROT pin, which can be used to open an in-line chemical fuse to permanently disable the pack. Secondary optional features include

- Fully independent of first-level protections
- SmartSafety algorithms for early detection of potential faults
 - Temperature abnormalities (variances, extremes, rate of change, etc.)
 - Disconnected cell voltage inputs
 - Cell imbalance exceeds safety limits
 - Impedance rise due to cell or weld strap fault
- MOSFET failure or loss of MOSFET control
- Safety overvoltage, pack and cell
- Safety overtemperature, limits for both charge and discharge
- Safety overcurrent, charge and discharge
- Failed current measurement, voltage measurement, or temperature measurement

Charge Control Features

- Meets SMBus 2.0 and Smart Battery System (SBS) Specification 1.1 requirements
- Active cell balancing using patented PowerPump technology, which eliminates unrecoverable capacity loss due to normal cell imbalance
- Balancing-current monitoring to detect cell problems
- Simultaneous, synchronous measurement of all cell voltages in a pack
- Simultaneous, synchronous measurement of pack current with cell voltages
- Reports target charging current and/or voltage to an SBS Smart Charger
- Reports the chemical state-of-charge for each cell and pack
- Supports precharging and zero-volt charging with separate MOSFET control
- Programmable, Chemistry-specific parameters
- Fault reporting

Gas Gauging

- The bq78PL114 accurately reports battery cell and pack state-of-charge (SOC). No full charge/discharge cycle is required for accurate reporting.
- State-of-charge is reported via SMBus and optional display.
- 18-bit integrating delta-sigma ADC coulomb counter, with programmable snap-to-zero value

Display Types

- The bq78PL114 drives a three- to five-segment LED display in response to a pushbutton (LEDEN) input signal. Each LED pin can sink up to 10 mA.

- The bq78PL114S12 drives a three- to five-segment static liquid-crystal display.
- The bq78PL114S12 drives a three- to five-segment electronic paper display. An external 15-V voltage source is required. E Ink Corporation supplies this type of display.

The display type is selected via the parameter set.

Lifetime Logging (Readable via SMBus)

- Recording of faults, events, anomalies, minimum and maximum values
- Maximum/minimum temperature
- Maximum/minimum pack voltage
- Maximum/minimum cell voltage in a pack
- Maximum charge and discharge currents

Forensic Data Logging (Readable via SMBus)

- Last known full capacity of each cell
- Cycle count and/or cumulative number of ampere-hours delivered by the battery
- Battery pack status: being charged, discharged, or at rest
- Balancing effort required by each bank of cells to maintain balance
- Last 10 failures causing first-level safety action
- Forensic data up-loadable to host CPU via SMBus

Power Modes

- **Normal Mode:** The bq78PL114 performs measurements and calculations, makes decisions, and updates internal data approximately once per second. *All safety circuitry is fully functional in this mode.*
- **Standby Mode:** The bq78PL114 performs as in normal mode, but at a dramatically reduced rate to lower power consumption at times when the host computer is inactive or the battery system is not being used. *All safety circuitry remains fully functional in this mode.*
- **Ship Mode:** The bq78PL114 disables (opens) all the protection MOSFETs, and continues to monitor temperature and voltage, but at a reduced measurement rate to dramatically lower power consumption. Environmental data is saved in flash as a part of the historical record. *Safety circuitry is disabled in this mode.* The device does not enter this power state as a part of normal operation; it is intended for use after factory programming and test. Entry occurs only after a unique SMBus command is issued. Exit occurs when the SMBus lines return to an active state.
- **Extreme Cell Undervoltage (ECUV) Shutdown Mode:** In this mode, the bq78PL114 draws minimal current and the charge and discharge protection MOSFETs are disabled (opened). The precharge MOSFET remains enabled when a charge voltage is present. *Safety circuitry is disabled in this mode.* The device does not enter this mode as a part of normal operation; it enters this state during extreme cell undervoltage conditions (ECUV). The ECUV threshold is programmable between 2.3 V and 2.7 V, with 2.5 V being typical.

| STATE | OVERCURRENT PROTECTION | ENTRY CONDITION | EXIT CONDITION |
|---------------------------|--------------------------------|--|--|
| Active | Fully active | Normal operation as determined by firmware | Firmware directed to the following operating modes |
| Standby | Fully active | No load current flowing for predetermined time | Load activity |
| Ship | Not active | Protected SMBus command | SMBus becomes active |
| Extreme cell undervoltage | Not active (precharge enabled) | Enabled when $V_{cell} < ECUV$ | V_{cell} charge above ECUV recovery threshold (2.7 V/cell typical) |

OPERATION

The bq78PL114 battery-management controller serves as a master controller for a Li-Ion battery system consisting of up to 8 cells in series. The bq78PL114S12 firmware upgrade supports up to 12 cells in series. Any number of cells may be connected in parallel; other system or safety issues limit the number of parallel cells. The bq78PL114 provides extraordinarily precise state-of-charge gas gauging along with first- and second-level pack safety functions. Voltage and current measurements are performed synchronously and simultaneously for all cells in the system, allowing a level of precision not previously possible in battery management. Temperature is

measured by up to four additional external temperature sensors. With the bq78PL114S12 firmware upgrade, up to eight more are available in remote bq76PL102 dual-cell battery monitors. Coulomb counting is captured continuously by a dedicated 18-bit integrating delta-sigma ADC in the bq78PL114. The CPU in the bq78PL114 is also responsible for system data calculations, black-box forensic data storage, and communicating parameters via the SMBus interface. The bq78PL114S12 firmware can be downloaded to existing bq78PL114 parts using the bqWizard GUI or during the manufacturing checkout process.

PowerLAN Communication Link

PowerLAN technology is Texas Instruments' patented serial network and protocol designed specifically for battery management in a multicell system environment. The PowerLAN link is used to initiate and report measurements of cell voltage and temperature, and control cell balancing. The bq78PL114 serves as the master controller of the PowerLAN link and can interface to multiple bq76PL102 dual-cell battery monitors, which measure and balance additional cells. The bq78PL114 monitors the first three or four cells, and bq76PL102s can be added to monitor more series cells.

The PowerLAN link isolates voltages from adjacent bq76PL102 devices to permit high-voltage stack assembly without compromising precision and accuracy. The PowerLAN link is expandable to support up to 12 cells in series. Each bq76PL102 handles voltage and temperature measurements, as well as balancing for two cells. The PowerLAN link provides high ESD tolerance and high immunity to noise generated by nearby digital circuitry or switching currents. Each bq76PL102 has both a PowerLAN input and PowerLAN output: Received data is buffered and retransmitted, permitting high numbers of nodes without loss of signal fidelity. Signals are capacitor-coupled between nodes, providing dc isolation.

Safety

Unique in the battery-management controller market, the bq78PL114 simultaneously measures voltage and current using independent and highly accurate delta-sigma ADCs. This technique removes virtually all systemic noise from measurements, which are made during all modes of battery operation: charge, discharge, and rest. The bq78PL114 also directs all connected bq76PL102 dual-cell battery monitors to measure each cell voltage simultaneously with the bq78PL114 measurements. Battery impedance and self-discharge characteristics are thus measured with an unprecedented level of accuracy in real time. The bq78PL114 applies this precise information to SmartSafety algorithms to detect certain anomalies and conditions which may be indicative of internal cell faults, before they become serious problems.

The bq78PL114 uses its enhanced measurement system to detect system faults including cell under- and overvoltage, cell under- and overtemperature, system overvoltage, and system overcurrent. First-level safety algorithms first attempt to open the MOSFET safety switches. If this fails, second-level safety algorithms activate the SPROT output, normally used to open a fuse and provide permanent, hard protection for the systems. External MOSFET control inputs with programmable polarity can also be used to operate the safety MOSFETs under control of user supplied circuitry. The bq78PL114 continuously monitors these inputs. If any MOSFET fails to open when commanded; the 2nd level safety algorithms also activate the SPROT output. All first- and second-level safety algorithms have fully programmable time delays to prevent false triggering.

Cell Balancing

Patented PowerPump cell balancing technology drastically increases the useful life of battery packs by eliminating the cycle life fade of multi-cell packs due to cell imbalance. PowerPump technology efficiently transfers charge from cell to cell, rather than simply bleeding off charging energy as heat as is typically done with resistive-bleed balancing circuits. Balancing is configurable and may be performed during any battery operational modes: charge, discharge, or rest. Compared to resistive bleed balancing, virtually no energy is lost as heat. The actual balance current is externally scalable and can range from 10 mA to 1 A (100 mA typical) depending on component selection and system or cell requirements.

A variety of techniques, such as simple terminal voltage, terminal voltage corrected for impedance and temperature effects, or state-of-charge balancing, is easily implemented by the bq78PL114. By tracking the balancing required by individual cells, overall battery safety is enhanced, often allowing early detection of soft shorts or other cell failures. Balancing is achieved between all cells within the pack as dynamically determined by the bq78PL114.

Outputs

Charge Control

The CHG and PRE outputs are ordinarily used to drive MOSFET transistors controlling charge to the cell stack. Charge or precharge mode is selected based on the present cell voltage compared to the user-definable cell precharge, undervoltage, and temperature thresholds. When below these limits, the PRE signal is active and the CHG signal is inactive. This turns on the precharge MOSFET and is used to charge a depleted system through a current-limiting series resistor. When all cell voltages are above the limit and the temperature is above the charge temperature minimum, then the CHG output also becomes active and enables the charge MOSFET to turn on, providing a high-current path between charger and battery cells.

The CHG and PRE MOSFET control outputs are both disabled (low) when any cell reaches the safety cutoff limit or temperature threshold. During active charging modes (and above cell voltage thresholds), the discharge MOSFET is also enabled to avoid excessive heating of the body diode. Similarly, the charge MOSFET is active during discharge, provided current flow is in the correct direction and no safety violations are present.

The bq78PL114S12 firmware upgrade supports the following configurable cell-balancing features:

- Super-pump mode. When enabled this allows 60%–70% pump availability when there are no active safety events and current is not flowing. While in super-pump mode, temperature rate-of-rise features are not available.
- Option to disable cell balancing during discharge
- Option to disable cell balancing during charge

The CHG and PRE outputs are intended to drive buffer transistors acting as inverting level shifters.

Discharge Control

The DSG output operates similarly to control-system discharging. It is enabled (high) by default. If a cell voltage falls below a programmable threshold, or excessive current or other safety related fault is sensed, the DSG output is disabled (low) to prevent damage to the cells.

All facets of safely charging and discharging the cell stack are controlled by user-definable parameters which provide precise control over MOSFET states. Both system and cell over- and undervoltage limits are provided, as well as programmable hysteresis to prevent oscillation. Temperature and current thresholds are also provided, each with independent timers to prevent nuisance activations.

The DSG output is intended to drive a buffer transistor acting as an inverting level-shifter.

Display

The bq78PL114 shows state-of-charge indication on a five-LED display in a bar-graph format. LEDEN is a dual-function pin. One function is to control current to the LED display array. It also serves as an input that monitors for closure of a state-of-charge indicator (SOCi) push-button switch.

The bq78PL114S12 shows state-of-charge indication on LED, static liquid crystal, and electronic paper displays or EPDs in a bar-graph-type format. The parameter set allows selection of display type and configuration. PSH/BP/TP is a multifunction pin. In LED display mode, PSH serves as an input that monitors for closure of a state-of-charge indicator (SOCi) push-button switch. In LCD mode, this pin is used to drive the LCD backplane. In EPD mode, this pin drives the top plane common signal of the display.

For both the bq78PL114 and bq78PL114S12, in LED display mode the signals LED1/SEG1–LED5/SEG5 are current-sinking outputs designed to drive low-current LEDs.

For the bq78PL114S12 firmware in LCD and EPD modes, the LED1/SEG1–LED5/SEG5 pins drive the active segments through external buffer transistors. In EPD mode, the FIELD pin drives the display background field.

Electronic paper displays require an external power supply, typically 15 V, to power the display. In EPD mode the bq78PL114S12 strobes the display outputs for a user-programmable period of milliseconds to drive an external voltage multiplier or charge pump to the required display supply voltage. The display segments are then updated in a manner that ensures the required 0-Vdc segment voltage offset is maintained and keeps the external power supply at its nominal voltage.

Inputs

Current Measurement

Current is monitored by four separate ADCs. All use the same very low-value sense resistor, typically 10, 5, 3, or 1 milliohms in series with the pack negative connection. CCBAT and CCPACK connections to the sense resistor use an R/C filter for noise reduction. (CSBAT and CSPACK are direct connections used for secondary safety). The bq78PL114 requires a 5-milliohm sense resistor. The bq78PL114S12 can be configured to use 10-, 3-, or 1-milliohm sense resistors. When configured to use a 1-milliohm sense resistor, the maximum available pack capacity increases to 655 Ah from 65 Ah.

A 14-bit delta-sigma ADC is used to measure current flow accurately in both directions. The measurements are taken simultaneously and synchronously with all the cell voltage measurements, even those cells measured by bq76PL102 dual-cell battery monitors.

Coulomb Counting

A dedicated coulomb counter is used to measure charge flow with 18-bit precision in both directions by a calibrated, integrating delta-sigma ADC. This allows the bq78PL114 to keep very accurate state-of-charge (SOC) information and battery statistics. A small deadband is applied to further reduce noise effects. The coulomb counter is unique in that it continues to accumulate (integrate) current flow in either direction even as the rest of the internal microcontroller is placed in a very low power state, further lowering power consumption without compromising system accuracy.

Safety Current

Two additional ADCs are used to directly monitor for overcurrent or short-circuit current conditions, independently of the internal function. This provides a direct and rapid response to insure pack integrity and safe operation by opening the appropriate MOSFETs. These functions are implemented in hardware, and do not require firmware for functionality.

Voltage Measurement

Voltage measurement is performed by four independent delta-sigma ADCs which operate simultaneously and are triggered synchronously so that all voltages are read at precisely the same moment. The bq78PL114 coordinates the attached bq76PL102 dual-cell battery monitors so they also perform their cell voltage measurements in sync with the bq78PL114 voltage and current measurements. Voltage measurements are converted with better than 1 mV of resolution, providing superior accuracy. One-ADC-per-cell technology means that voltage is also measured simultaneously with current, permitting accurate, real-time cell impedance calculation during all operating conditions. This technique also provides greatly enhanced noise immunity and filtering of the input signal without signal loss.

Temperature Measurement

XT1–XT4 are dedicated temperature-sensor inputs. Each external sensor consists of a low-cost silicon diode (dual diode in one package is recommended) and capacitor combination. Temperatures for cells 5 and above are measured by up to four external bq76PL102(s), and the temperature data is received by the bq78PL114 or bq78PL114S12 over the PowerLAN link for processing. The bq78PL114 or bq78PL114S12 can report all of these temperatures individually. The bq78PL114 allows multiplexed configuration of up to twelve temperature sensors. This permits the pack designer to measure temperatures of all cells and other items such as the charge and discharge MOSFETs. The bq78PL114S12 firmware uses the internal temperature sensor of the device for board temperature measurements.

EFClx

The external MOSFET control inputs are for user control of MOSFETs based on external circuitry and conditions. The polarity of the input signal is user-programmable. These pins can be used to force the protection MOSFETs to an OFF state.

COMMUNICATIONS

SMBus

The bq78PL114 uses the industry-standard Smart Battery System's two-wire System Management Bus (SMBus) communications protocol for all external communication. SMBus version 2.0 is supported by the bq78PL114, and includes clock stretching, bus fault time-out detection, and optional packet error checking (PEC). For additional information, see the www.smbus.org and www.sbs-forum.org Web sites.

Smart Battery Data (SBData)

The data content and formatting of the bq78PL114 information conforms to the Smart Battery System's (SBS) Smart Battery Data specification, version 1.1. See the SBS/SMBus site at www.sbs-forum.com for further information regarding these specifications.

This SBS Data (SBData) specification defines read/write commands for accessing data commonly required in laptop computer applications. The commands are generic enough to be useful in most applications.

Because the bq78PL114 provides a wealth of control and battery information beyond the SBData standard, new command codes have been defined by Texas Instruments. In addition, new battery data features, such as state-of-health, use newly defined extended SBData command codes. Standard SMBus protocols are used, although additional data values beyond those defined by the Smart Battery Data specification are employed. (For example, the bq78PL114 typically is used in a multicell battery system and may report individual cell voltages for up to eight cells. The bq78PL114S12 can report individual cell voltages for up to 12 cells. The SBData command set only defines four cell-voltage registers.)

SBS Standard Data Parameter List (Abridged)⁽¹⁾

| Command | Data Type | Description |
|---------|----------------------|---|
| 00 | R/W word (unsigned) | Manufacturer Access |
| 01 | R/W word (unsigned) | Remaining Capacity Alarm Level |
| 02 | R/W word (unsigned) | Remaining Time Alarm Level |
| 03 | R/W word (unsigned) | Battery Mode |
| 04 | R/W word (unsigned) | At Rate value used in AtRate calculations |
| 05 | Read word (unsigned) | At Rate Time to Full |
| 06 | Read word (unsigned) | At Rate Time to Empty |
| 07 | Read word (Boolean) | At Rate OK |
| 08 | Read word (unsigned) | Pack Temperature (maximum of all individual cells) |
| 09 | Read word (unsigned) | Pack Voltage (sum of individual cell readings) |
| 0A | Read word (unsigned) | Pack Current |
| 0B | Read word (unsigned) | Average Pack Current |
| 0C | Read word (unsigned) | Max Error |
| 0D | Read word (unsigned) | Relative State of Charge |
| 0E | Read word (unsigned) | Absolute State of Charge |
| 0F | Read word (unsigned) | Remaining Pack Capacity |
| 10 | Read word (unsigned) | Full Charge Capacity |
| 11 | Read word (unsigned) | Run Time to Empty |
| 12 | Read word (unsigned) | Average Time to Empty |
| 13 | Read word (unsigned) | Average Time to Full |
| 14 | Read word (unsigned) | Charging Current |
| 15 | Read word (unsigned) | Charging Voltage |
| 16 | Read word (unsigned) | Battery Status |
| 17 | Read word (unsigned) | Cycle Count |
| 18 | Read word (unsigned) | Design Capacity |
| 19 | Read word (unsigned) | Design Voltage |
| 1A | Read word (unsigned) | Specification Information |
| 1B | Read word (unsigned) | Manufacture Date |
| 1C | Read word (unsigned) | Serial Number |
| 1D–1F | Reserved | |
| 20 | Read block (string) | Pack Manufacturer Name (31 characters maximum) |
| 21 | Read block (string) | Pack Device Name (31 characters maximum) |
| 22 | Read block (string) | Pack Chemistry |
| 23 | Read block (string) | Manufacturer Data |
| 24–2E | Reserved | |
| 2F | R/W Block | Optional Manufacturer Function 5 |
| 30–3B | Reserved | |
| 3C | R/W word (unsigned) | Optional Manufacturer Option 4 (Vcell 1) |
| 3D | R/W word (unsigned) | Optional Manufacturer Option 3 (Vcell 2) |
| 3E | R/W word (unsigned) | Optional Manufacturer Option 2 (Vcell 3) |
| 3F | R/W word (unsigned) | Optional Manufacturer Option 1 (Vcell 4) |
| 40 | R/W word (unsigned) | Optional Manufacturer Option 1 (Vcell 5) |
| 41 | R/W word (unsigned) | Optional Manufacturer Option 1 (Vcell 6) |
| 42 | R/W word (unsigned) | Optional Manufacturer Option 1 (Vcell 7) |
| 43 | R/W word (unsigned) | Optional Manufacturer Option 1 (Vcell 8) |
| 44 | R/W word (unsigned) | Optional Manufacturer Option 1 (Vcell 9, bq78PL114S12 only) |

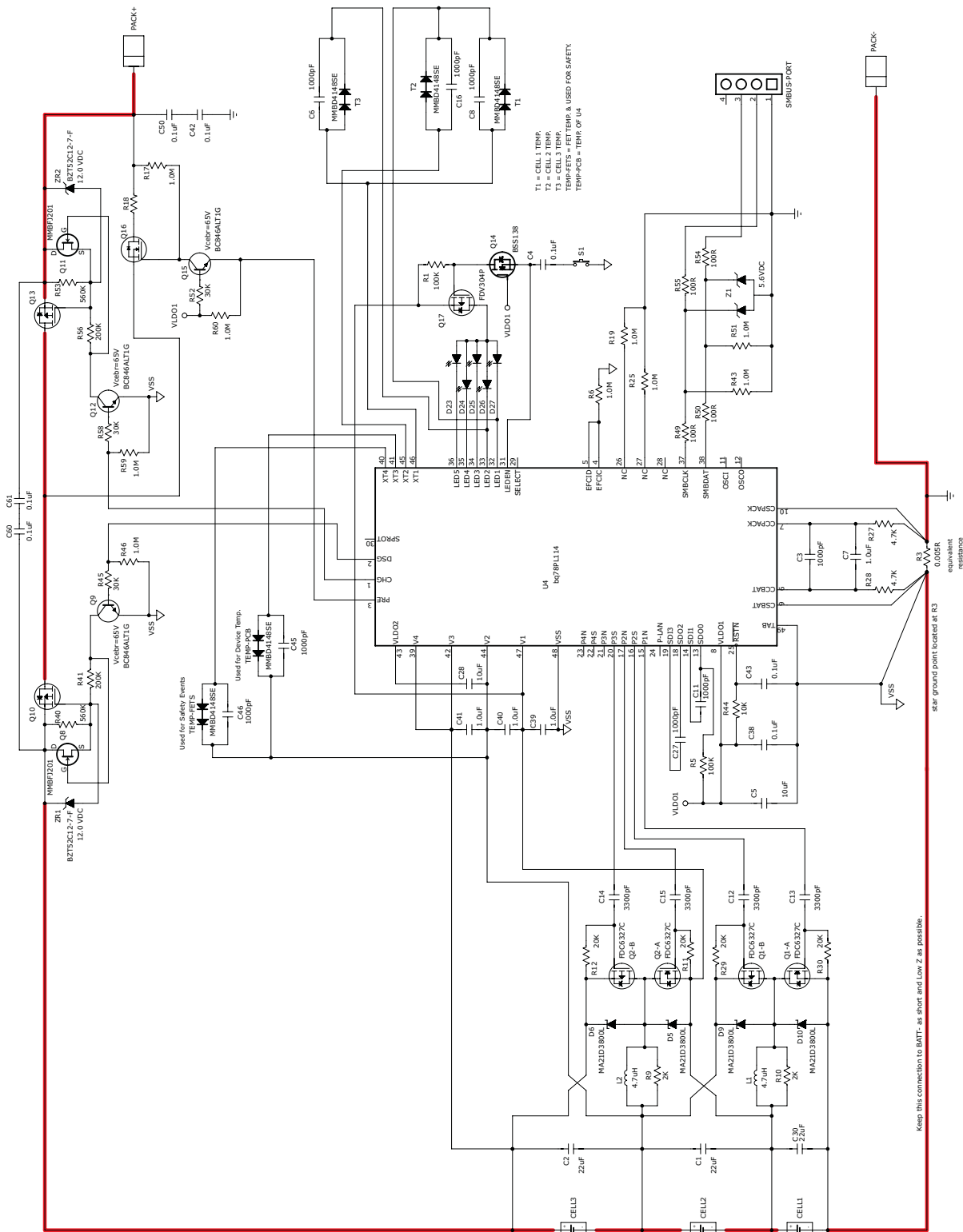
(1) Parameters 0x00–0x3F are compatible with the SBDATA specification.

| Command | Data Type | Description |
|---------|---------------------|--|
| 45 | R/W word (unsigned) | Optional Manufacturer Option 1 (Vcell 10, bq78PL114S12 only) |
| 46 | R/W word (unsigned) | Optional Manufacturer Option 1 (Vcell 11, bq78PL114S12 only) |
| 47 | R/W word (unsigned) | Optional Manufacturer Option 1 (Vcell 12, bq78PL114S12 only) |
| 48–4F | Unused | |
| 50–55 | Reserved | |
| 56–57 | Unused | |
| 58–5A | Reserved | |
| 5B–5F | Unused | |
| 60–62 | Reserved | |
| 63–6F | Unused | |
| 70 | Reserved | |
| 71–FF | Unused | |

NOTE:

The bq78PL114 allows mapping of the eight cell voltage SBS locations to be different than its base address of 0x3C. The bq78PL114S12 does not support this feature.

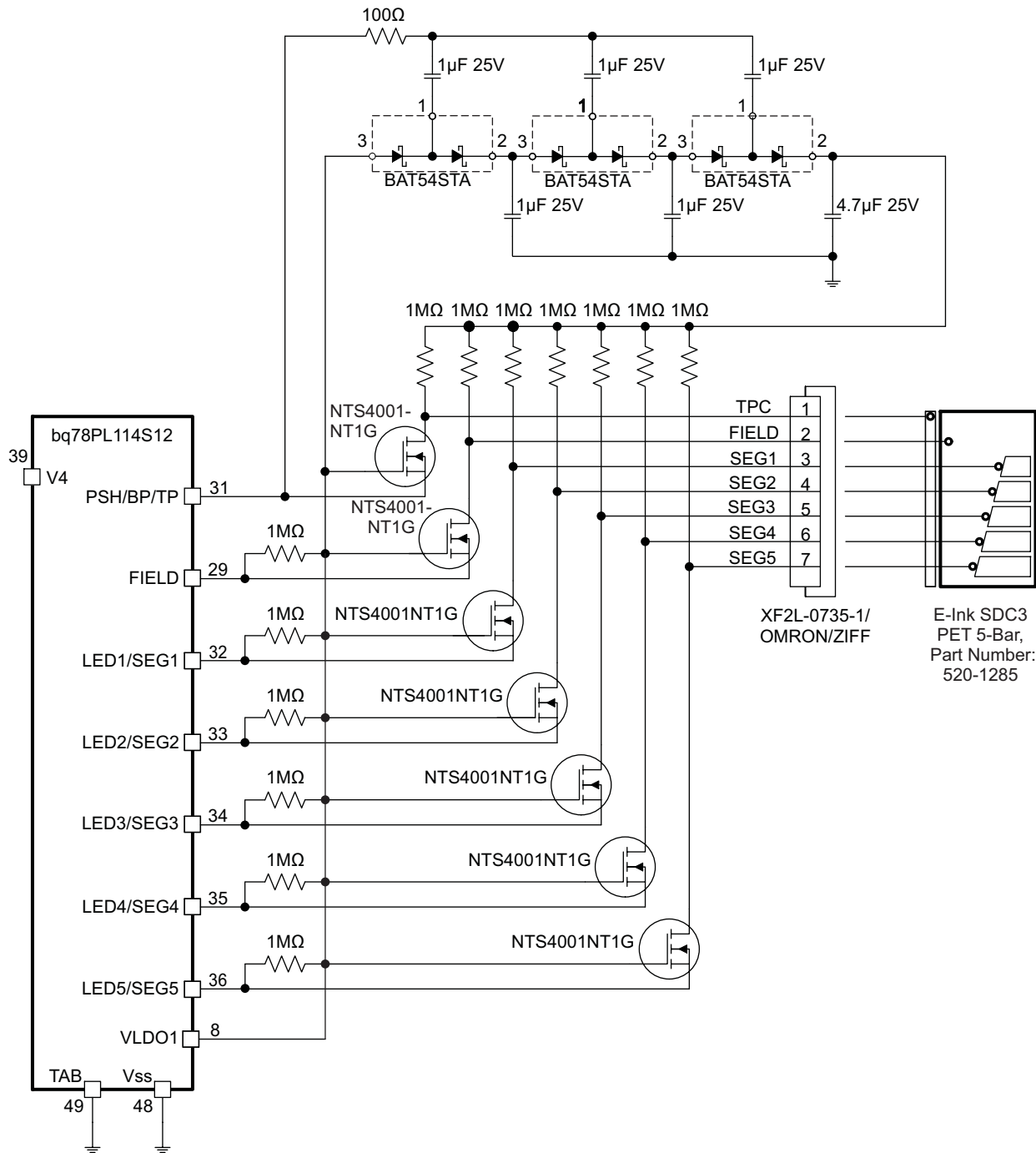
REFERENCE SCHEMATICS



S001

This configuration applies to the bq78PL114 only. The bq78PL114S12 has a different configuration for three-cell operation.

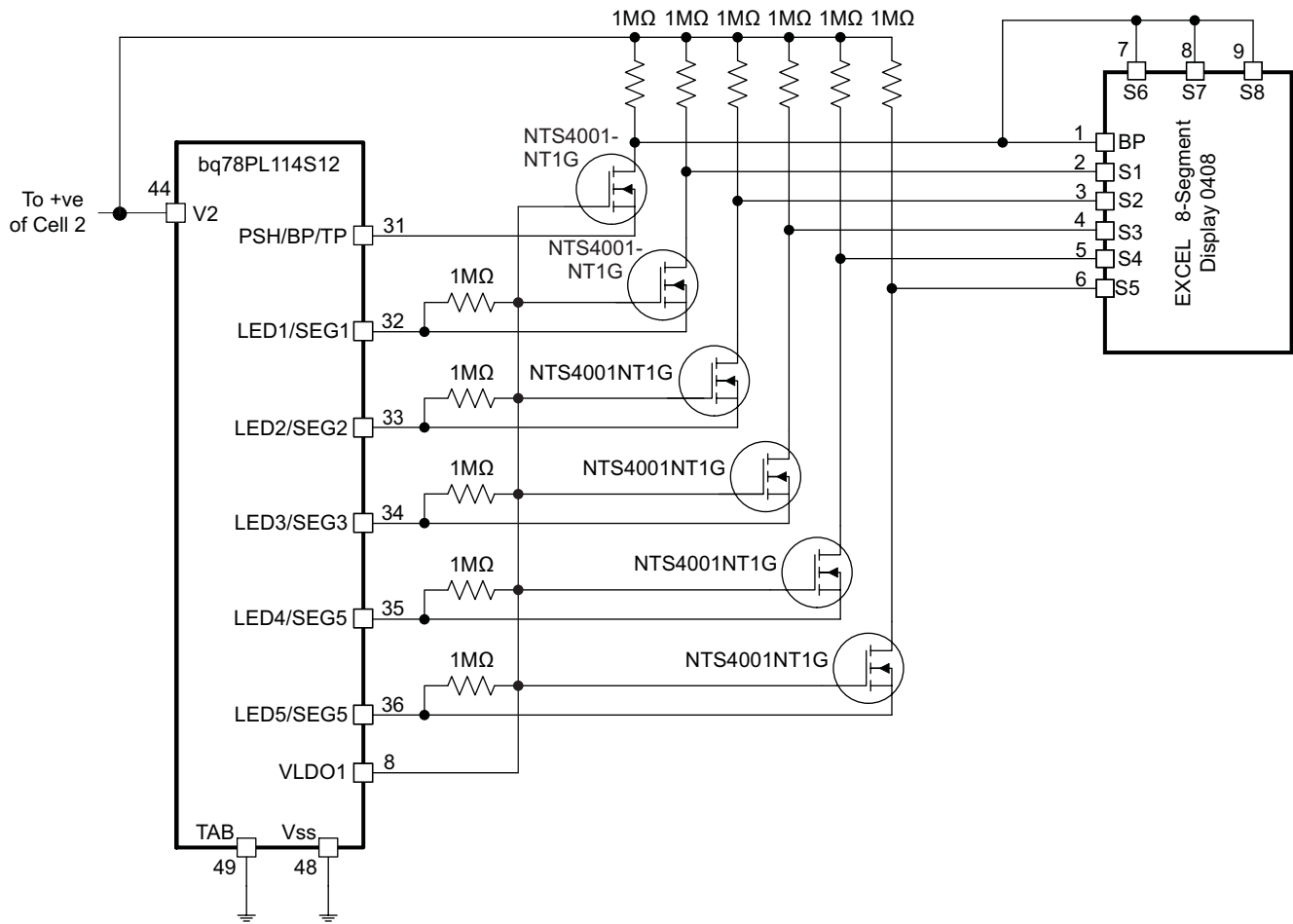
Figure 8. bq78PL114 Reference Schematic (3 Series Cells)



S003

NOTE: For reference only. Actual display used may require different operating voltage. Consult with display vendor.

Figure 10. Reference Schematic (Electronic-Paper Display Connections)



S004

NOTE: For reference only. Actual display used may require different operating voltage. Consult with display vendor.

Figure 11. Reference Schematic (LCD Connections)

PACKAGING INFORMATION

| Orderable Device | Status (1) | Package Type | Package Drawing | Pins | Package Qty | Eco Plan (2) | Lead/Ball Finish | MSL Peak Temp (3) | Op Temp (°C) | Top-Side Markings (4) | Samples |
|------------------|---------------|--------------|-----------------|------|-------------|-------------------------|------------------|----------------------|--------------|--------------------------|---------|
| BQ78PL114RGZR | NRND | VQFN | RGZ | 48 | 2500 | Green (RoHS & no Sb/Br) | CU NIPDAU | Level-3-260C-168 HR | -40 to 85 | 78PL114 BQ | |
| BQ78PL114RGZT | NRND | VQFN | RGZ | 48 | 250 | Green (RoHS & no Sb/Br) | CU NIPDAU | Level-3-260C-168 HR | -40 to 85 | 78PL114 BQ | |

(1) The marketing status values are defined as follows:

ACTIVE: Product device recommended for new designs.

LIFEBUY: TI has announced that the device will be discontinued, and a lifetime-buy period is in effect.

NRND: Not recommended for new designs. Device is in production to support existing customers, but TI does not recommend using this part in a new design.

PREVIEW: Device has been announced but is not in production. Samples may or may not be available.

OBSELETE: TI has discontinued the production of the device.

(2) Eco Plan - The planned eco-friendly classification: Pb-Free (RoHS), Pb-Free (RoHS Exempt), or Green (RoHS & no Sb/Br) - please check <http://www.ti.com/productcontent> for the latest availability information and additional product content details.

TBD: The Pb-Free/Green conversion plan has not been defined.

Pb-Free (RoHS): TI's terms "Lead-Free" or "Pb-Free" mean semiconductor products that are compatible with the current RoHS requirements for all 6 substances, including the requirement that lead not exceed 0.1% by weight in homogeneous materials. Where designed to be soldered at high temperatures, TI Pb-Free products are suitable for use in specified lead-free processes.

Pb-Free (RoHS Exempt): This component has a RoHS exemption for either 1) lead-based flip-chip solder bumps used between the die and package, or 2) lead-based die adhesive used between the die and leadframe. The component is otherwise considered Pb-Free (RoHS compatible) as defined above.

Green (RoHS & no Sb/Br): TI defines "Green" to mean Pb-Free (RoHS compatible), and free of Bromine (Br) and Antimony (Sb) based flame retardants (Br or Sb do not exceed 0.1% by weight in homogeneous material)

(3) MSL, Peak Temp. -- The Moisture Sensitivity Level rating according to the JEDEC industry standard classifications, and peak solder temperature.

(4) Multiple Top-Side Markings will be inside parentheses. Only one Top-Side Marking contained in parentheses and separated by a "~" will appear on a device. If a line is indented then it is a continuation of the previous line and the two combined represent the entire Top-Side Marking for that device.

Important Information and Disclaimer: The information provided on this page represents TI's knowledge and belief as of the date that it is provided. TI bases its knowledge and belief on information provided by third parties, and makes no representation or warranty as to the accuracy of such information. Efforts are underway to better integrate information from third parties. TI has taken and continues to take reasonable steps to provide representative and accurate information but may not have conducted destructive testing or chemical analysis on incoming materials and chemicals. TI and TI suppliers consider certain information to be proprietary, and thus CAS numbers and other limited information may not be available for release.

In no event shall TI's liability arising out of such information exceed the total purchase price of the TI part(s) at issue in this document sold by TI to Customer on an annual basis.

TAPE AND REEL INFORMATION



QUADRANT ASSIGNMENTS FOR PIN 1 ORIENTATION IN TAPE



*All dimensions are nominal

| Device | Package Type | Package Drawing | Pins | SPQ | Reel Diameter (mm) | Reel Width W1 (mm) | A0 (mm) | B0 (mm) | K0 (mm) | P1 (mm) | W (mm) | Pin1 Quadrant |
|---------------|--------------|-----------------|------|------|--------------------|--------------------|---------|---------|---------|---------|--------|---------------|
| BQ78PL114RGZR | VQFN | RGZ | 48 | 2500 | 330.0 | 16.4 | 7.3 | 7.3 | 1.5 | 12.0 | 16.0 | Q2 |
| BQ78PL114RGZT | VQFN | RGZ | 48 | 250 | 180.0 | 16.4 | 7.3 | 7.3 | 1.5 | 12.0 | 16.0 | Q2 |

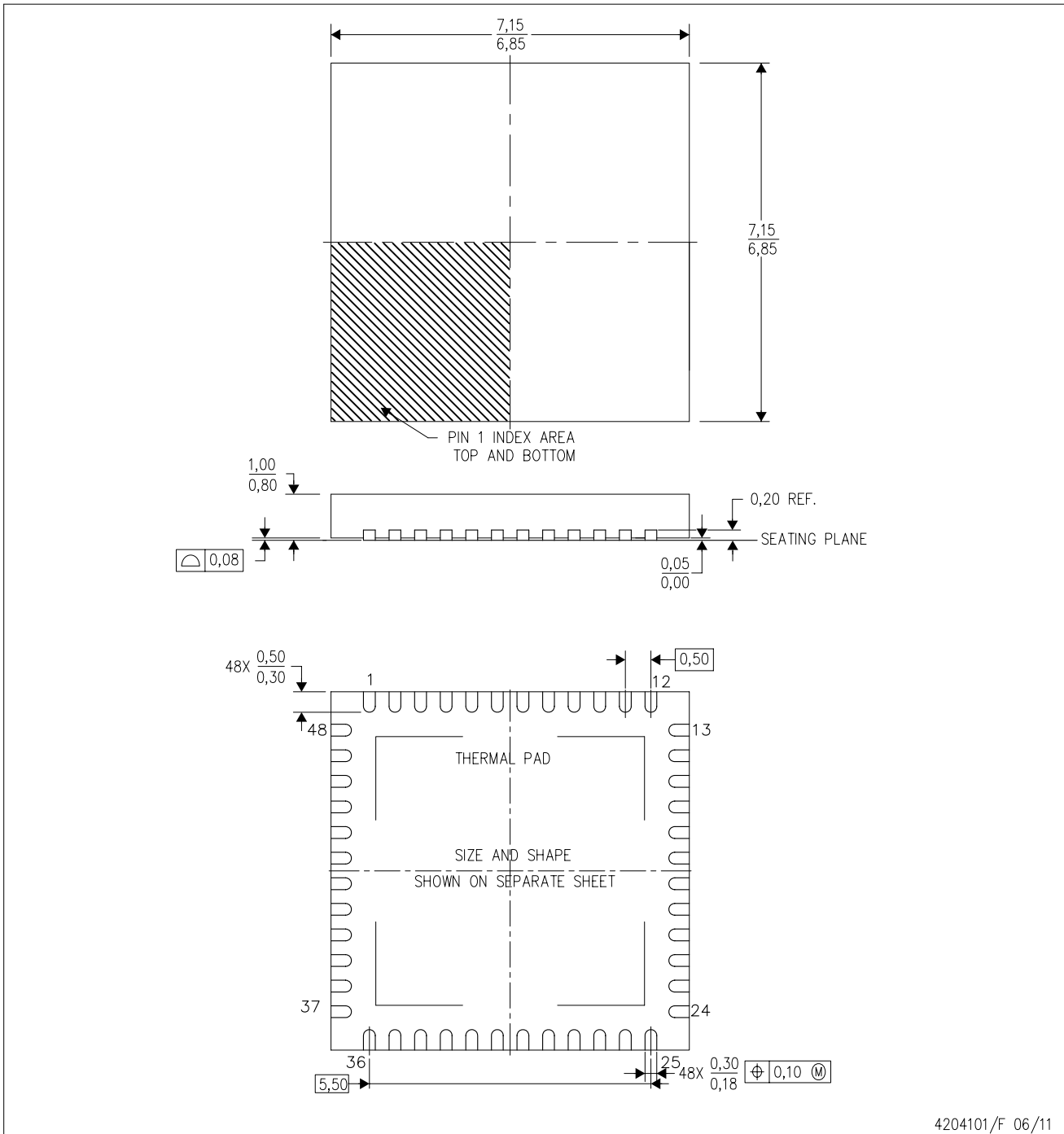
TAPE AND REEL BOX DIMENSIONS


*All dimensions are nominal

| Device | Package Type | Package Drawing | Pins | SPQ | Length (mm) | Width (mm) | Height (mm) |
|---------------|--------------|-----------------|------|------|-------------|------------|-------------|
| BQ78PL114RGZR | VQFN | RGZ | 48 | 2500 | 367.0 | 367.0 | 38.0 |
| BQ78PL114RGZT | VQFN | RGZ | 48 | 250 | 210.0 | 185.0 | 35.0 |

RGZ (S-PVQFN-N48)

PLASTIC QUAD FLATPACK NO-LEAD



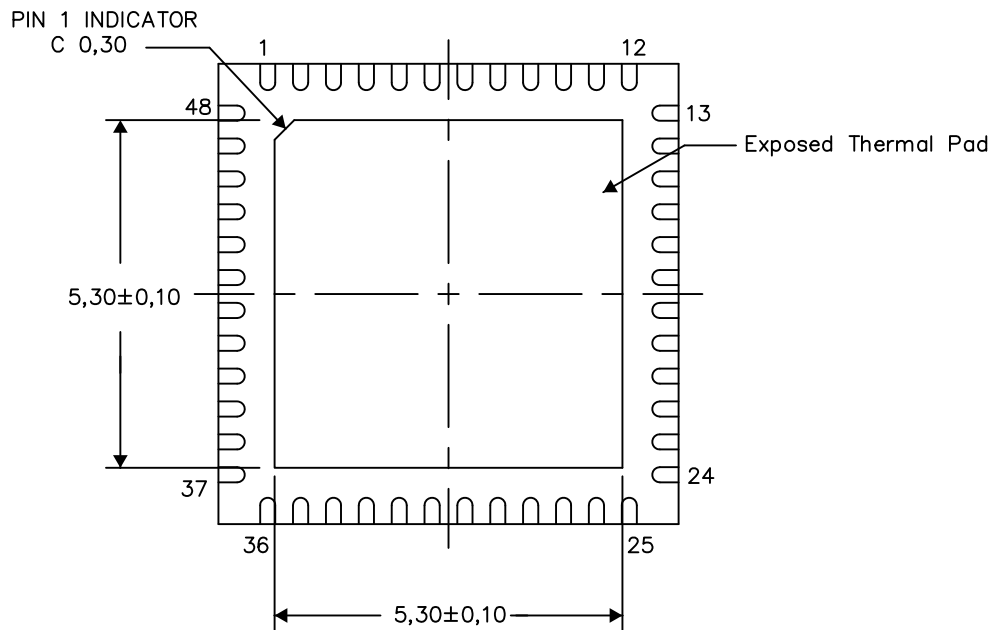
- NOTES:
- A. All linear dimensions are in millimeters. Dimensioning and tolerancing per ASME Y14.5M-1994.
 - B. This drawing is subject to change without notice.
 - C. Quad Flatpack, No-leads (QFN) package configuration.
 - D. The package thermal pad must be soldered to the board for thermal and mechanical performance.
 - E. See the additional figure in the Product Data Sheet for details regarding the exposed thermal pad features and dimensions.
 - F. Falls within JEDEC MO-220.

THERMAL INFORMATION

This package incorporates an exposed thermal pad that is designed to be attached directly to an external heatsink. The thermal pad must be soldered directly to the printed circuit board (PCB). After soldering, the PCB can be used as a heatsink. In addition, through the use of thermal vias, the thermal pad can be attached directly to the appropriate copper plane shown in the electrical schematic for the device, or alternatively, can be attached to a special heatsink structure designed into the PCB. This design optimizes the heat transfer from the integrated circuit (IC).

For information on the Quad Flatpack No-Lead (QFN) package and its advantages, refer to Application Report, QFN/SON PCB Attachment, Texas Instruments Literature No. SLUA271. This document is available at www.ti.com.

The exposed thermal pad dimensions for this package are shown in the following illustration.



Bottom View

Exposed Thermal Pad Dimensions

4206354-9/Y 06/14

NOTE: All linear dimensions are in millimeters

IMPORTANT NOTICE

Texas Instruments Incorporated and its subsidiaries (TI) reserve the right to make corrections, enhancements, improvements and other changes to its semiconductor products and services per JESD46, latest issue, and to discontinue any product or service per JESD48, latest issue. Buyers should obtain the latest relevant information before placing orders and should verify that such information is current and complete. All semiconductor products (also referred to herein as "components") are sold subject to TI's terms and conditions of sale supplied at the time of order acknowledgment.

TI warrants performance of its components to the specifications applicable at the time of sale, in accordance with the warranty in TI's terms and conditions of sale of semiconductor products. Testing and other quality control techniques are used to the extent TI deems necessary to support this warranty. Except where mandated by applicable law, testing of all parameters of each component is not necessarily performed.

TI assumes no liability for applications assistance or the design of Buyers' products. Buyers are responsible for their products and applications using TI components. To minimize the risks associated with Buyers' products and applications, Buyers should provide adequate design and operating safeguards.

TI does not warrant or represent that any license, either express or implied, is granted under any patent right, copyright, mask work right, or other intellectual property right relating to any combination, machine, or process in which TI components or services are used. Information published by TI regarding third-party products or services does not constitute a license to use such products or services or a warranty or endorsement thereof. Use of such information may require a license from a third party under the patents or other intellectual property of the third party, or a license from TI under the patents or other intellectual property of TI.

Reproduction of significant portions of TI information in TI data books or data sheets is permissible only if reproduction is without alteration and is accompanied by all associated warranties, conditions, limitations, and notices. TI is not responsible or liable for such altered documentation. Information of third parties may be subject to additional restrictions.

Resale of TI components or services with statements different from or beyond the parameters stated by TI for that component or service voids all express and any implied warranties for the associated TI component or service and is an unfair and deceptive business practice. TI is not responsible or liable for any such statements.

Buyer acknowledges and agrees that it is solely responsible for compliance with all legal, regulatory and safety-related requirements concerning its products, and any use of TI components in its applications, notwithstanding any applications-related information or support that may be provided by TI. Buyer represents and agrees that it has all the necessary expertise to create and implement safeguards which anticipate dangerous consequences of failures, monitor failures and their consequences, lessen the likelihood of failures that might cause harm and take appropriate remedial actions. Buyer will fully indemnify TI and its representatives against any damages arising out of the use of any TI components in safety-critical applications.

In some cases, TI components may be promoted specifically to facilitate safety-related applications. With such components, TI's goal is to help enable customers to design and create their own end-product solutions that meet applicable functional safety standards and requirements. Nonetheless, such components are subject to these terms.

No TI components are authorized for use in FDA Class III (or similar life-critical medical equipment) unless authorized officers of the parties have executed a special agreement specifically governing such use.

Only those TI components which TI has specifically designated as military grade or "enhanced plastic" are designed and intended for use in military/aerospace applications or environments. Buyer acknowledges and agrees that any military or aerospace use of TI components which have **not** been so designated is solely at the Buyer's risk, and that Buyer is solely responsible for compliance with all legal and regulatory requirements in connection with such use.

TI has specifically designated certain components as meeting ISO/TS16949 requirements, mainly for automotive use. In any case of use of non-designated products, TI will not be responsible for any failure to meet ISO/TS16949.

Products

| | |
|------------------------------|--|
| Audio | www.ti.com/audio |
| Amplifiers | amplifier.ti.com |
| Data Converters | dataconverter.ti.com |
| DLP® Products | www.dlp.com |
| DSP | dsp.ti.com |
| Clocks and Timers | www.ti.com/clocks |
| Interface | interface.ti.com |
| Logic | logic.ti.com |
| Power Mgmt | power.ti.com |
| Microcontrollers | microcontroller.ti.com |
| RFID | www.ti-rfid.com |
| OMAP Applications Processors | www.ti.com/omap |
| Wireless Connectivity | www.ti.com/wirelessconnectivity |

Applications

| | |
|-------------------------------|--|
| Automotive and Transportation | www.ti.com/automotive |
| Communications and Telecom | www.ti.com/communications |
| Computers and Peripherals | www.ti.com/computers |
| Consumer Electronics | www.ti.com/consumer-apps |
| Energy and Lighting | www.ti.com/energy |
| Industrial | www.ti.com/industrial |
| Medical | www.ti.com/medical |
| Security | www.ti.com/security |
| Space, Avionics and Defense | www.ti.com/space-avionics-defense |
| Video and Imaging | www.ti.com/video |

TI E2E Community

e2e.ti.com

AMEYA360

Components Supply Platform

Authorized Distribution Brand :



Website :

Welcome to visit www.ameya360.com

Contact Us :

➤ Address :

401 Building No.5, JiuGe Business Center, Lane 2301, Yishan Rd
Minhang District, Shanghai , China

➤ Sales :

Direct +86 (21) 6401-6692

Email amall@ameya360.com

QQ 800077892

Skype [ameyasales1](#) [ameyasales2](#)

➤ Customer Service :

Email service@ameya360.com

➤ Partnership :

Tel +86 (21) 64016692-8333

Email mkt@ameya360.com