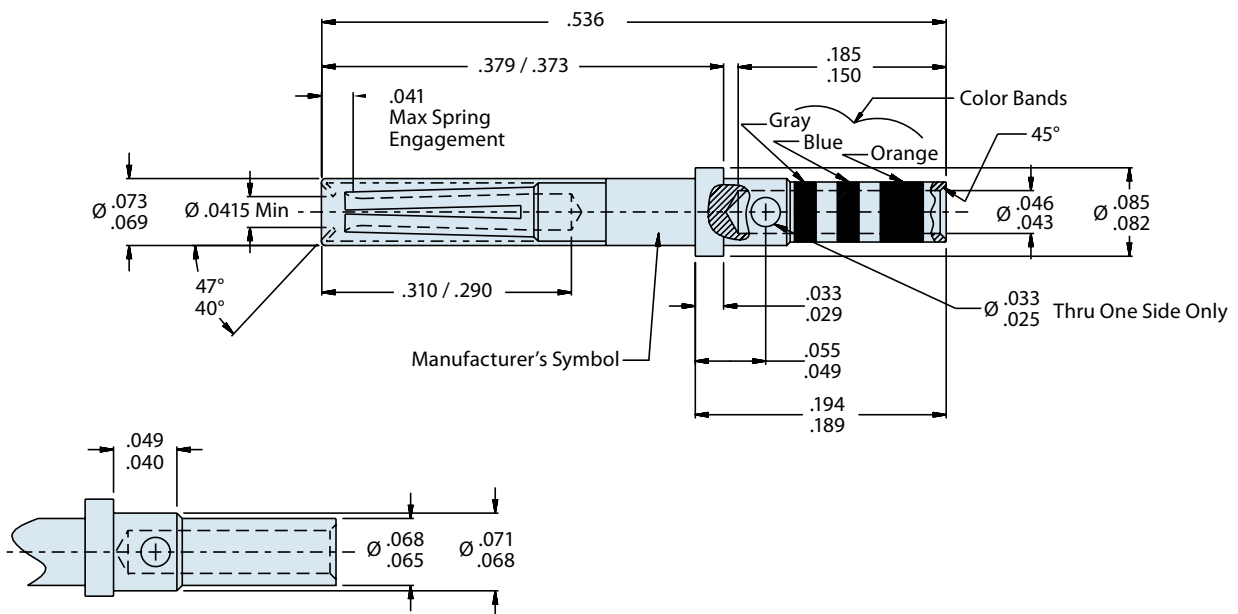


M24308

Standard Socket Crimp Contact for MIL-DTL-24308



Mating End Size	Wire Accomodation	Military Part Number	Glenair Part Number
20	20-24 AWG	M39029/63-368	850-021-20-368



Material and Finish*

Pin Contact: Copper Alloy/Gold Plated

Socket Contact: Copper Alloy/Gold Plated

Socket Contact Hood: Passivated Stainless Steel

*See pages A-4 and A-5 for detailed material specifications

Tools

Crimp Tool: M22520/2-01

Positioner: M22520/2-08

Insertion/Extraction Tools: M81969/14-02 or M81969/1-02

AMEYA360

Components Supply Platform

Authorized Distribution Brand :



Website :

Welcome to visit www.ameya360.com

Contact Us :

➤ Address :

401 Building No.5, JiuGe Business Center, Lane 2301, Yishan Rd
Minhang District, Shanghai , China

➤ Sales :

Direct +86 (21) 6401-6692

Email amall@ameya360.com

QQ 800077892

Skype [ameyasales1](#) [ameyasales2](#)

➤ Customer Service :

Email service@ameya360.com

➤ Partnership :

Tel +86 (21) 64016692-8333

Email mkt@ameya360.com