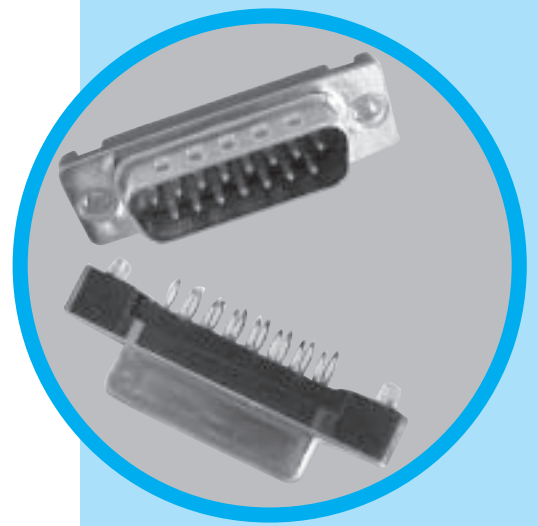


TF

D-Sub connectors - Stamped and Formed Contacts

PRESS FIT STRAIGHT PCB TERMINATION



CHARACTERISTICS

| Materials and Platings | |
|------------------------|---|
| Shells | Steel, tin plated |
| Insulator | Glass-filled thermoplastic, UL 94V-0 |
| Pin contact | Brass, selected gold in mating area; 2.54µm (100µ") min. tin on termination area over 1.27µm (50µ") min. nickel |
| Socket contact | Phosphor bronze, selected gold in mating area; 2.54µm (100µ") min. tin on termination area over; 1.27µm(50µ") min. nickel |
| Rear insert | Brass, 2.54µm (100µ") min. nickel plated |
| Boardlock | Brass, 2.54µm (100µ") min. nickel plated |
| Screwlock | Brass, 2.54µm (100µ") min. nickel plated |

| Electrical Data | |
|------------------------------|----------------------------------|
| Current rating | 3A |
| Voltage rating | 300V AC |
| Withstanding voltage | 1000V AC/rms 60Hz for one minute |
| Insulation resistance | 1000MΩ |
| Contact resistance | 25mΩ max |

| Climatic Data | |
|------------------------------|-----------------|
| Operating temperature | -55°C to +125°C |
| Salt spray | 24 hours |

| Mechanical Data | |
|---|---|
| Single contact insertion force | ≤ 3.60 N |
| Single contact withdrawal force | ≥ 0.2 N |
| Single contact insertion on board | ≤ 100 N |
| Single contact withdrawal from board | ≥ 20 N |
| Standard plating thickness | Gold flash 0.4µm (15µ") gold 0.76µm (30µ") gold |

| | Terminal Specification | Boardlock Specification |
|----------------------|------------------------|-------------------------|
| Finished Hole | 1 (+0.09 -0.06) | 3.1 +/- 0.05 mm |
| Cu | > 25 µm | Min 25 µm |
| Sn | < 15 µm | 5-15 µm |

DESCRIPTION

The Amphenol "TF" series features eye of needle formed contacts, and insulator with closed entry contacts cavities.

This series gives you Amphenol's high standards of quality and reliability to meet all your technical requirements.

*Solderless
straight PCB
mount
connectors*

APPLICATIONS

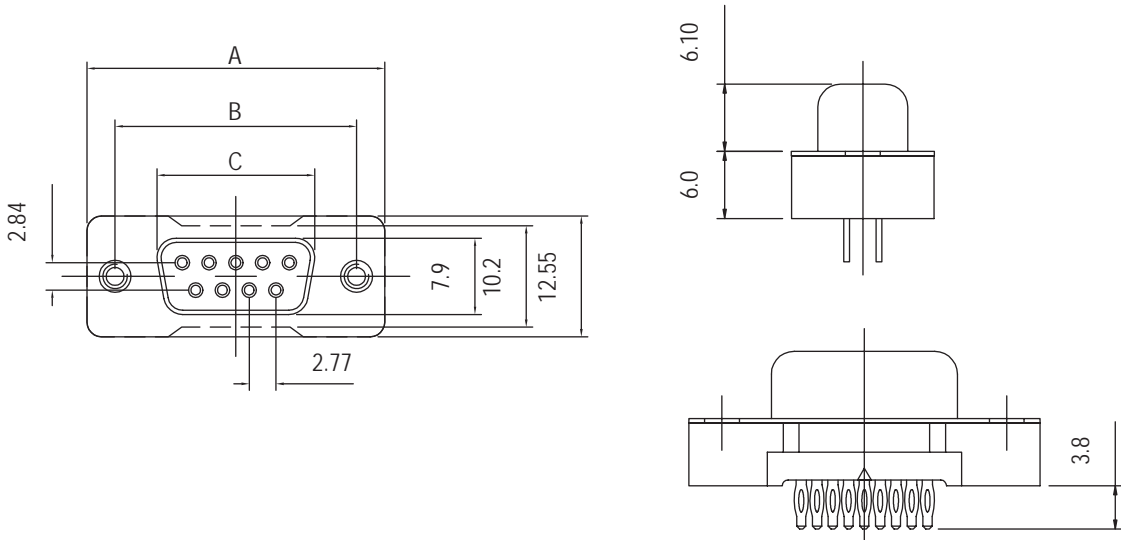
- Industrial
- Telecom
- Any backplanes connections



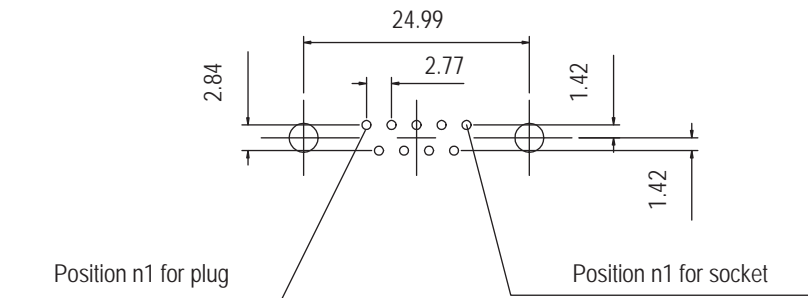
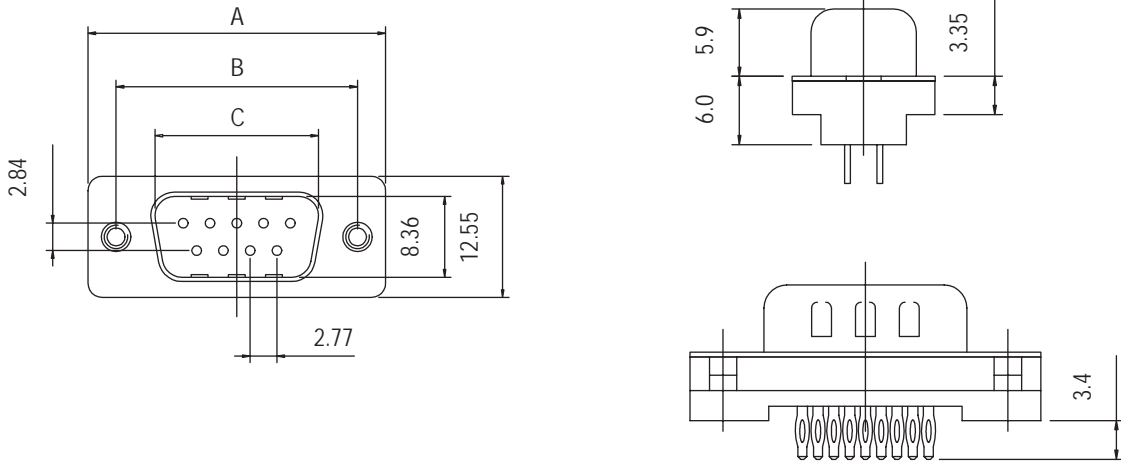
Amphenol

TF / E4

Socket version

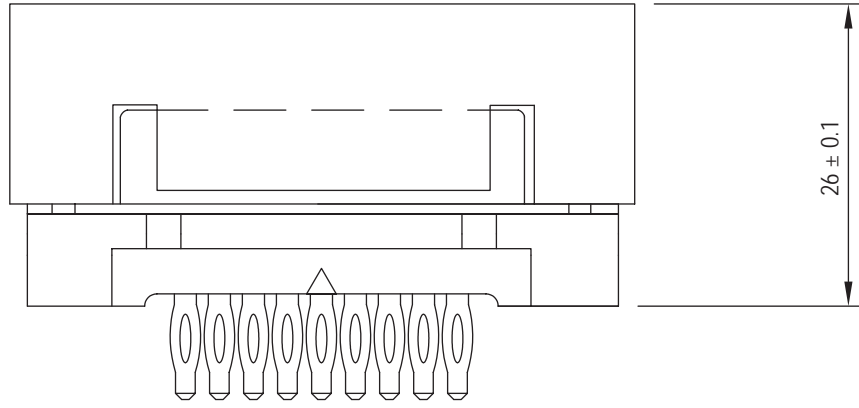


Plug version

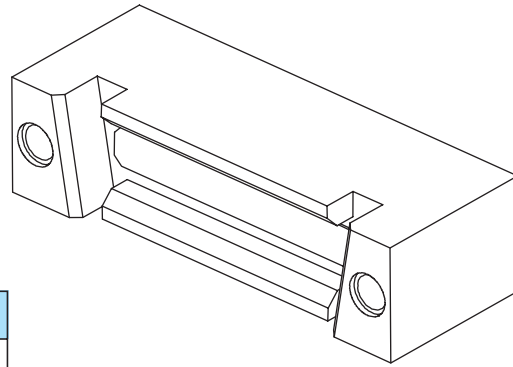


For PCB holes diameters, see on page 1 (finished holes)

| Nb OF CONTACTS | DIMENSIONS mm (inch) | | | |
|----------------|----------------------|---------------|---------------|---------------|
| | A | B | C plug | C socket |
| 9 | 30.81 (1.185) | 24.99 (0.984) | 16.92 (0.666) | 16.33 (0.643) |
| 15 | 39.14 (1.54) | 33.32 (1.312) | 25.50 (1.004) | 24.66 (0.97) |
| 25 | 53.04 (2.088) | 47.04 (1.852) | 28.96 (1.534) | 38.38 (1.511) |
| 37 | 69.32 (2.729) | 63.50 (2.5) | 55.42 (2.182) | 54.84 (2.16) |

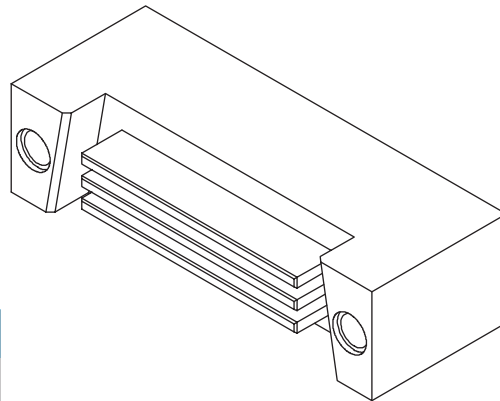


Female



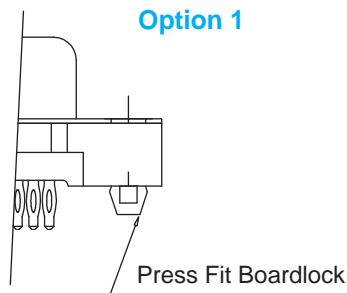
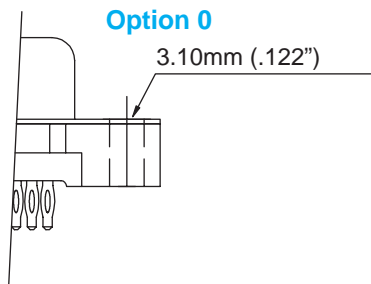
| Size of connectors | Tooling PN |
|--------------------|------------|
| 9 | 981 MC |
| 15 | 982 MC |
| 25 | 983 MC |
| 37 | 984 MC |

Male

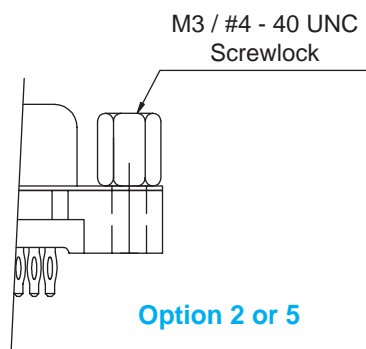
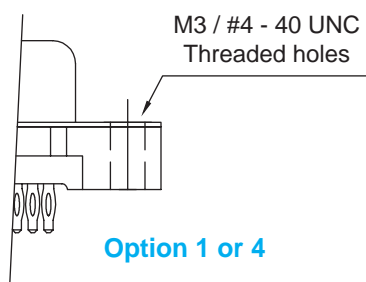


| Size of connectors | Tooling PN |
|--------------------|------------|
| 9 | 985 MC |
| 15 | 986 MC |
| 25 | 987 MC |
| 37 | 988 MC |

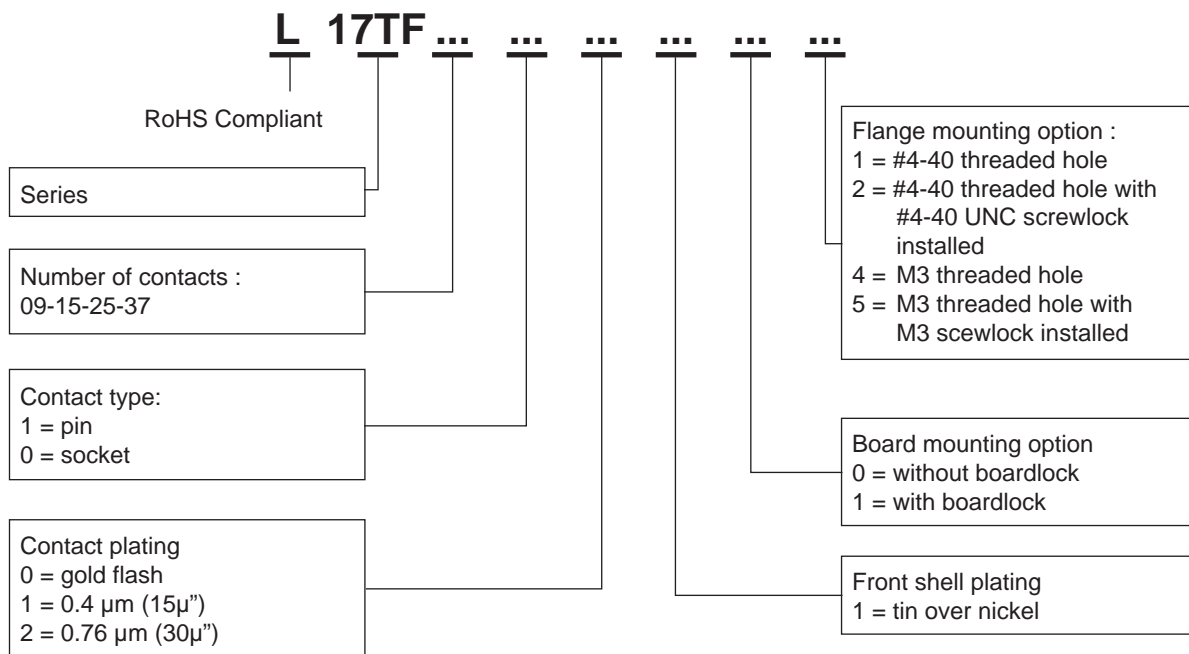
Board mounting option



Flange mounting option



How to order



Do not hesitate to contact us for further information



Amphenol

Amphenol IT & Communication Products

Block A3/A4, The 4th Industrial District of Industrial Headquarters, Dong Keng Road Gong Ming Town, Shen Zhen China
Fax: +86(0)755 2754 9955

Technical Support

Tel: +86(0)755 2717 7945
Info-dsub@amphenol.com.cn
http://www.dsubconnector.com

AMEYA360

Components Supply Platform

Authorized Distribution Brand :



Website :

Welcome to visit www.ameya360.com

Contact Us :

➤ Address :

401 Building No.5, JiuGe Business Center, Lane 2301, Yishan Rd
Minhang District, Shanghai , China

➤ Sales :

Direct +86 (21) 6401-6692

Email amall@ameya360.com

QQ 800077892

Skype [ameyasales1](#) [ameyasales2](#)

➤ Customer Service :

Email service@ameya360.com

➤ Partnership :

Tel +86 (21) 64016692-8333

Email mkt@ameya360.com