

Compact High Accuracy Temperature Sensor ICs

Thermostat Output Temperature ICs with Variable Detection Temperature


BDE□□□0G Series

No.11047JCT03

●Description

Low quiescent current (16μA), high accuracy thermostat (temperature switch) ICs. Built in temperature sensor, reference voltage regulator, D/A converter, and comparator. Detecting temperature by itself, OS terminal state is changed at logically. Open Drain Output (Active L) is available in BDE□□□0G series.

●Features

- 1) Detection Temperature Range +55~+115°C by 6 products.
- 2) ±5°C Step Selectable Detection Temperature with CTRL.
- 3) Hysteresis Temperature (typically 10°C)
- 4) High Accuracy Analog Output (typically ±3.5°C@Ta=30°C)
- 5) Analog Output Temperature Sensitivity (typically -10.8mV/°C)
- 6) Low Supply Current (typically 16μA)
- 7) Small Package (typically 2.90mm×2.80mm×1.25mm)
- 8) ESD Rating 8kV (HBM)
- 9) Excellent Ripple Rejection Characteristic

●Applications

Thermal Protection for Electrical Equipment (Notebook PC, Cell phone, FPD-TV, etc.) FAN Control for Thermal Management

●Products Line up
BDE

□□□

Detection Temperature
(Center Temperature)
110:110°C
100:100°C
090: 90°C
080: 80°C
070: 70°C
060: 60°C

0

Output Format
(Open Drain, Active Low)

G

Package
(SSOP5)

Temperature / Output Format Table

CTRL status description (L : Low, O : Open, H : High)

Product Name	Detection Temperature (°C)			OS Output Format		Marking
	CTRL					
	L	H	O			
BDE1100G	105	110	115	Open Drain	Active L	eB
BDE1000G	95	100	105	Open Drain	Active L	eC
BDE0900G	85	90	95	Open Drain	Active L	eD
BDE0800G	75	80	85	Open Drain	Active L	eE
BDE0700G	65	70	75	Open Drain	Active L	eF
BDE0600G	55	60	65	Open Drain	Active L	eG

● **Absolute Maximum Ratings** (Ta = 25°C)

Parameters	Symbol	Limit	Unit
Power Supply Voltage	V _{DD}	-0.3 to 7.0 ^{*1}	V
Input Voltage (CTRL)	V _{IN}	-0.3 to V _{DD} +0.3	V
Input Current (CTRL)	I _{IN}	-1.0, +0.1	mA
OS terminal Voltage	V _{OS}	-0.3 to 7.0	V
OS terminal Current	I _{OS}	5.0	mA
Power dissipation	P _d	540 ^{*2}	mW
Storage Temperature Range	T _{stg}	-55 to 150	°C

*1. Not to exceed Pd

*2. Reduced by 5.40mW for each increase in Ta of 1°C over 25°C(mounted on 70mm×70mm×1.6mm Glass-epoxy PCB)

● **Recommended Operating Condition**

Parameters	Symbol	Min.	Typ.	Max.	Unit
Power Supply Voltage	V _{DD}	2.9	3.0	5.5	V
Operating Temperature Range	Topr	-30	-	130	°C

● **Temperature Accuracy** (Unless otherwise specified, V_{DD} = 3.0V)

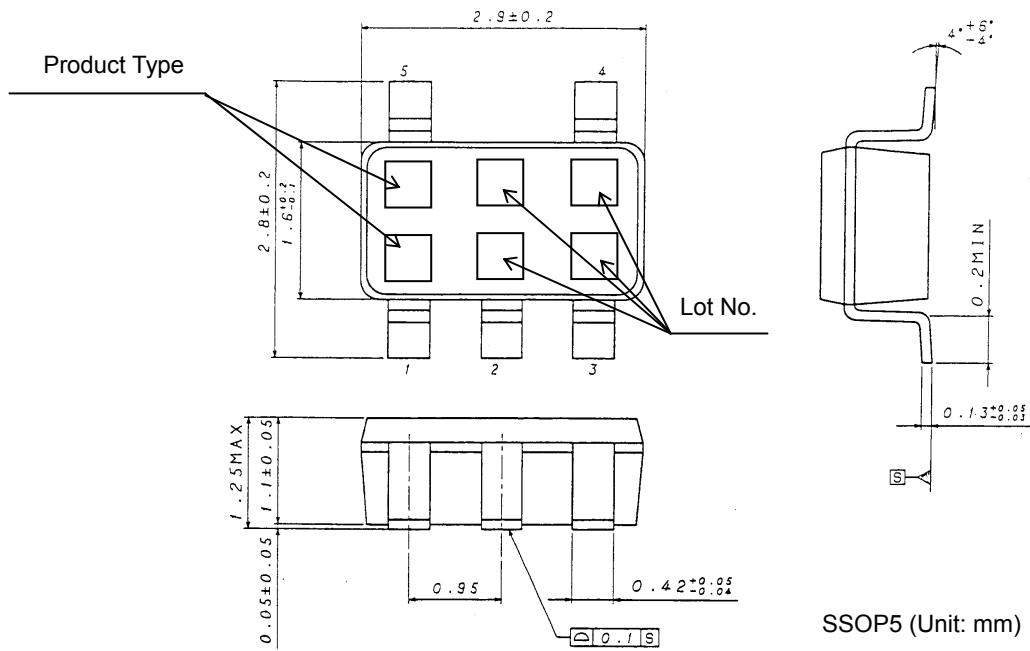
Parameters	Symbol	Limit			Unit	Conditions
		Min.	Typ.	Max.		
Thermostat (Temperature Switch)						
Detection Temperature Accuracy	Tacc	-	0	±4.0	°C	Ta = -20°C~115°C
Detection Temperature Hysteresis	Thys	7.5	10.0	12.5	°C	
Analog Output						
VTemp Temperature Accuracy	TTemp	-	-	±3.5	°C	Ta = 30°C

● **Electrical Characteristics** (Unless otherwise specified, V_{DD} = 3.0V, Ta = 25°C)

Parameter	Symbol	Limits			Unit	Conditions
		Min.	Typ.	Max.		
Supply Current	IDD	-	16.0	20.0	μA	CTRL = 3.0V
Analog Output						
VTemp Output Voltage	VTemp	1.716	1.753	1.790	V	Ta = 30°C
VTemp Temperature Sensitivity	VSE	-10.28	-10.68	-11.08	mV/°C	Ta = -30 to 100°C
VTemp Load Regulation	ΔVTempRL	-	-	1	mV	difference of IOU _T : 0μA / 2μA
OS Output Open Drain						
OS Leakage Current	IL	-	-	1.0	μA	OS : 5.0V
OS Output Voltage	VOL	-	-	0.4	V	I _{inOS} = 1.2mA
CTRL						
Input L Voltage	VIL	GND	-	0.6	V	
Input H Voltage	VIH	2.4	-	V _{DD}	V	

*Radiation hardness is not designed.

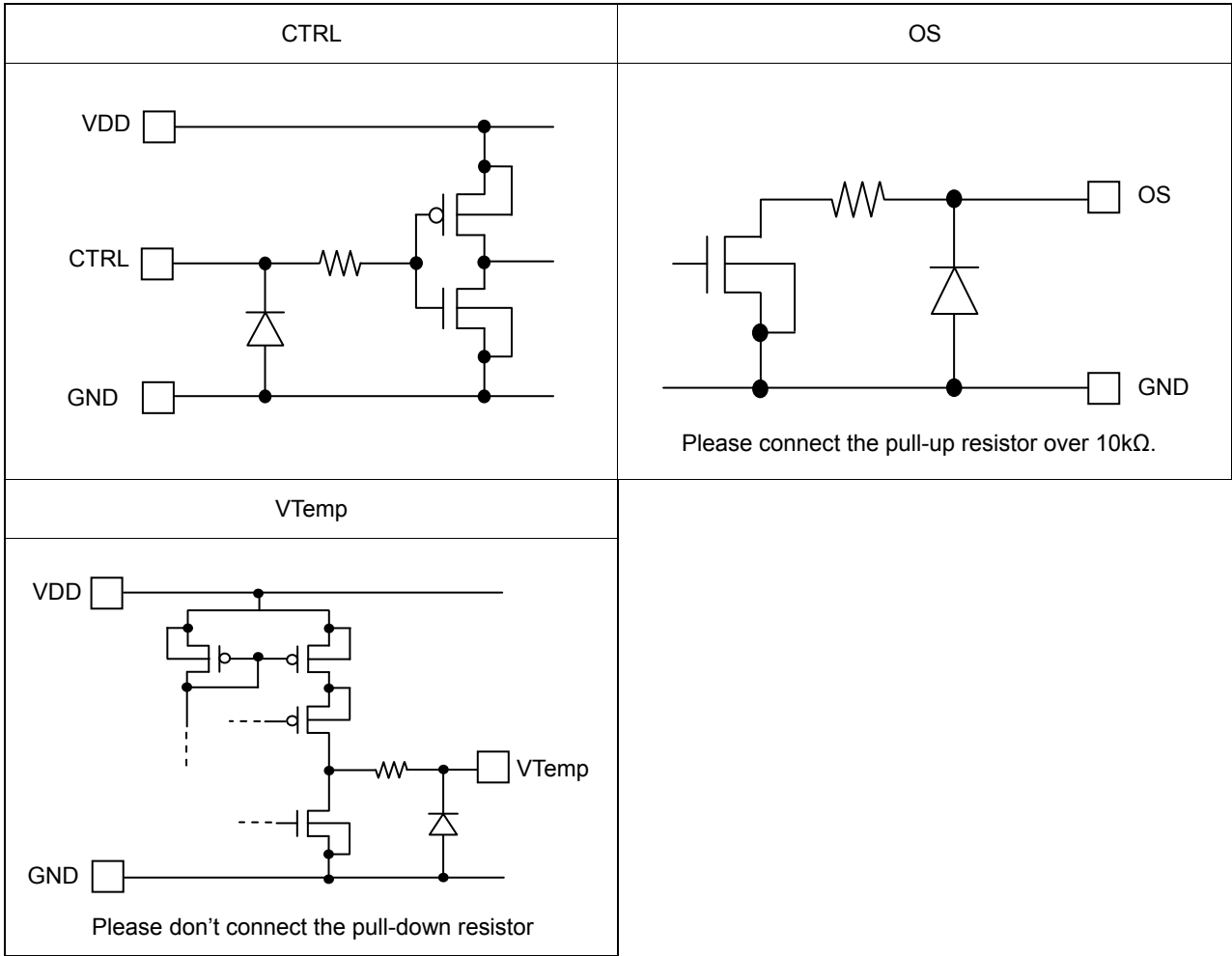
●Package Outline



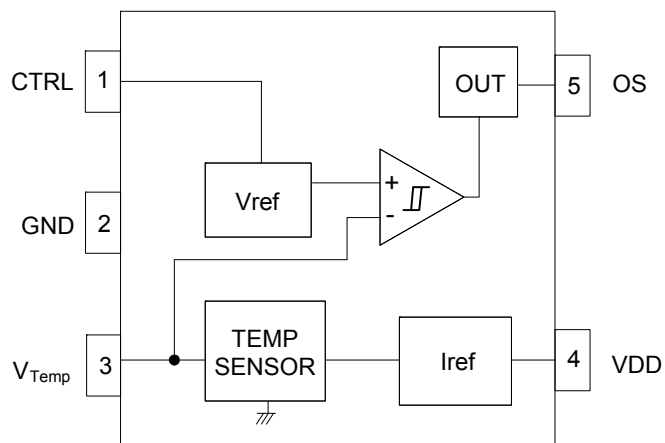
●Pin Description

Pin No.	Pin Name	Function	Comment
1	CTRL	Detection temperature setting	Refer to 2/7 page for the temperature set. (Temperature / Output Format Table)
2	GND	GROUND	-
3	Vtemp	Output voltage in inverse proportion to the temperature(TYP. $-10.68\text{mV}/^\circ\text{C}$)	Set the OPEN state or Connect high impedance input node.
4	VDD	POWER SUPPLY	-
5	OS	Digital thermostat output	Open Drain type Use the pull-up resistor over $10\text{k}\Omega$.

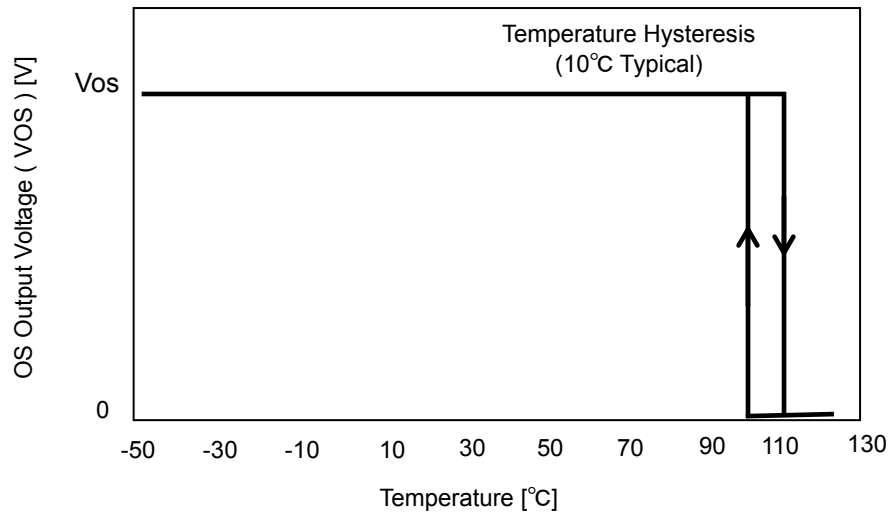
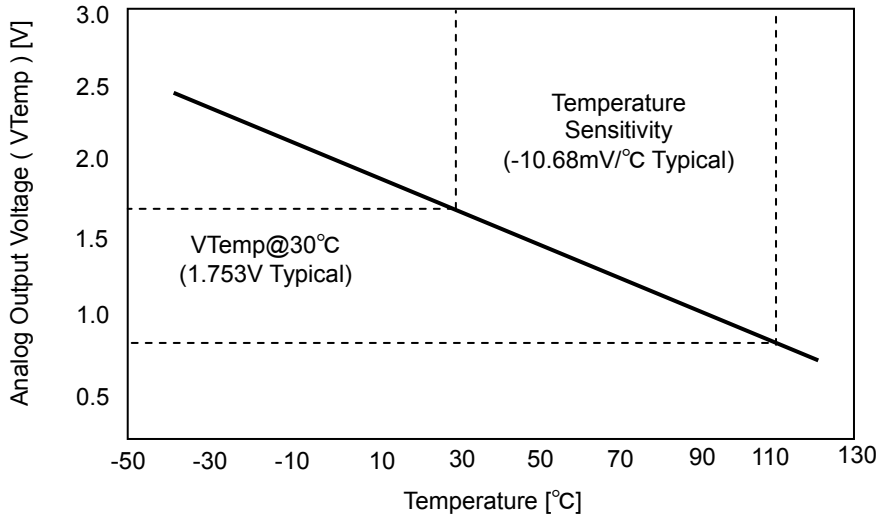
●Equivalence Circuit



●Block Diagram



●Functional Diagram (ex. Detection Temperature 110°C)



●Reference Data

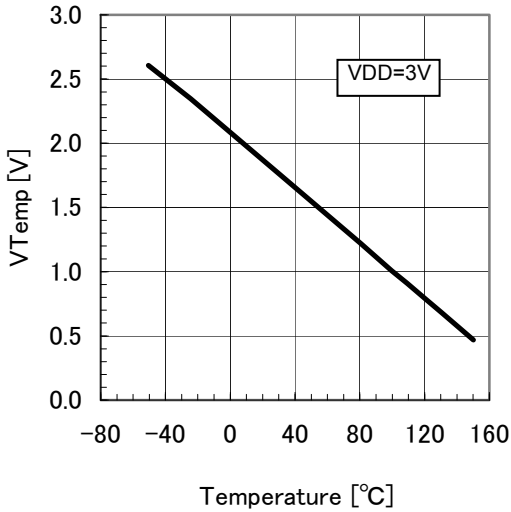


Fig1. VTemp Voltage vs. Temperature (Temperature Sensitivity)

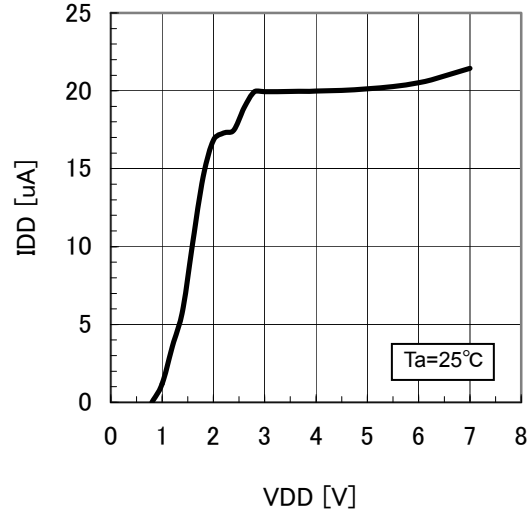


Fig2. Supply Current vs. Supply Voltage

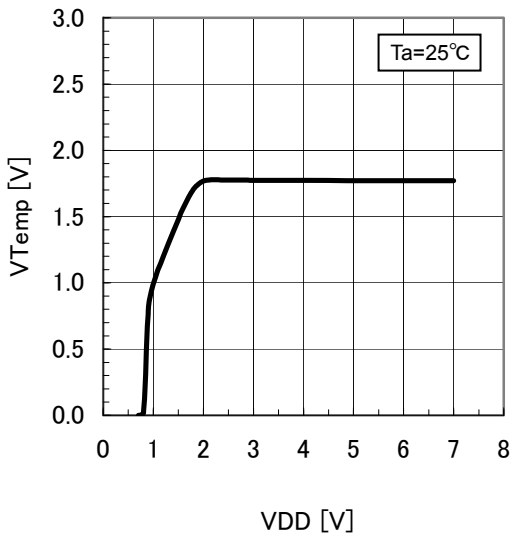


Fig3. VTemp Voltage vs. Supply Voltage

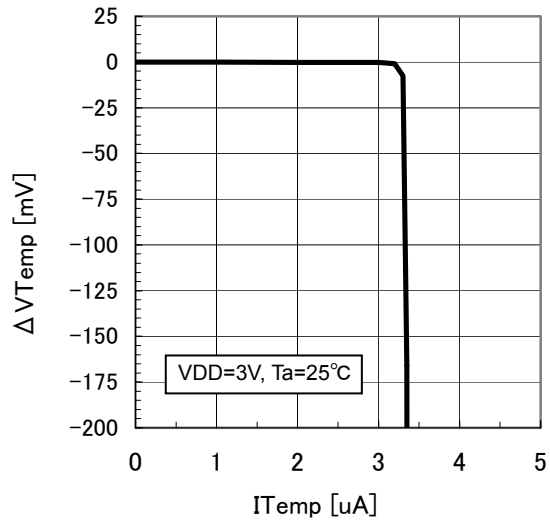


Fig4. VTemp Voltage vs. Output Current

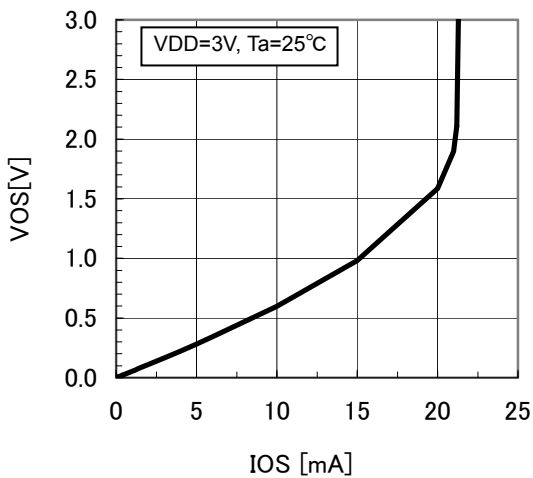


Fig5. OS Output Voltage vs. Load Current

●Notes for use

- 1) Absolute Maximum Ratings
An excess in the absolute maximum ratings, such as supply voltage, temperature range of operating conditions, etc., can break down devices, thus making impossible to identify breaking mode such as a short circuit or an open circuit. If any special mode exceeding the absolute maximum ratings is assumed, consideration should be given to take physical safety measures including the use of fuses, etc.
- 2) GND voltage
Make setting of the potential of the GND terminal so that it will be maintained at the minimum in any operating state.
- 3) Pin short and mistake fitting
When mounting the IC on the PCB, pay attention to the orientation of the IC. If there is a placement mistake, the IC may be burned up.
- 4) Operation in strong electric field
Be noted that using ICs in the strong electric field can malfunction them.
- 5) Mutual impedance
Use short and wide wiring tracks for the power supply and ground to keep the mutual impedance as small as possible.
Use a capacitor to keep ripple to a minimum.

●Ordering part number

B	D	E
---	---	---

Part No.

0	6	0	0
---	---	---	---

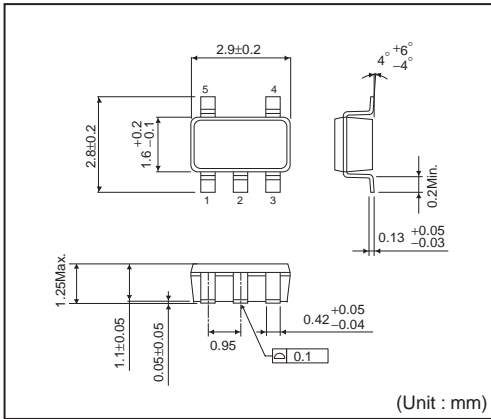
Part No.
0600 0700 0800
0900 1000 1100

G	-	T	R
---	---	---	---

Package
G: SSOP5

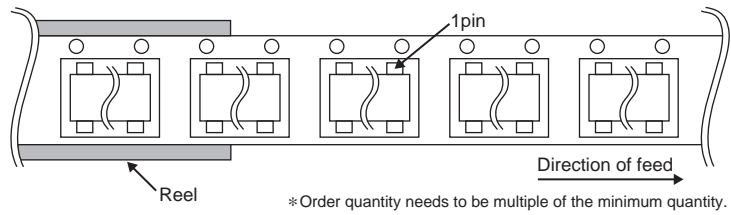
Packaging and forming specification
TR: Embossed tape and reel
(SSOP5)

SSOP5



<Tape and Reel information>

Tape	Embossed carrier tape
Quantity	3000pcs
Direction of feed	TR (The direction is the 1pin of product is at the upper right when you hold reel on the left hand and you pull out the tape on the right hand)



Notice

Precaution on using ROHM Products

- Our Products are designed and manufactured for application in ordinary electronic equipments (such as AV equipment, OA equipment, telecommunication equipment, home electronic appliances, amusement equipment, etc.). If you intend to use our Products in devices requiring extremely high reliability (such as medical equipment ^(Note 1), transport equipment, traffic equipment, aircraft/spacecraft, nuclear power controllers, fuel controllers, car equipment including car accessories, safety devices, etc.) and whose malfunction or failure may cause loss of human life, bodily injury or serious damage to property ("Specific Applications"), please consult with the ROHM sales representative in advance. Unless otherwise agreed in writing by ROHM in advance, ROHM shall not be in any way responsible or liable for any damages, expenses or losses incurred by you or third parties arising from the use of any ROHM's Products for Specific Applications.

(Note1) Medical Equipment Classification of the Specific Applications

JAPAN	USA	EU	CHINA
CLASS III	CLASS III	CLASS II b	CLASS III
CLASS IV		CLASS III	

- ROHM designs and manufactures its Products subject to strict quality control system. However, semiconductor products can fail or malfunction at a certain rate. Please be sure to implement, at your own responsibilities, adequate safety measures including but not limited to fail-safe design against the physical injury, damage to any property, which a failure or malfunction of our Products may cause. The following are examples of safety measures:
 - Installation of protection circuits or other protective devices to improve system safety
 - Installation of redundant circuits to reduce the impact of single or multiple circuit failure
- Our Products are designed and manufactured for use under standard conditions and not under any special or extraordinary environments or conditions, as exemplified below. Accordingly, ROHM shall not be in any way responsible or liable for any damages, expenses or losses arising from the use of any ROHM's Products under any special or extraordinary environments or conditions. If you intend to use our Products under any special or extraordinary environments or conditions (as exemplified below), your independent verification and confirmation of product performance, reliability, etc. prior to use, must be necessary:
 - Use of our Products in any types of liquid, including water, oils, chemicals, and organic solvents
 - Use of our Products outdoors or in places where the Products are exposed to direct sunlight or dust
 - Use of our Products in places where the Products are exposed to sea wind or corrosive gases, including Cl₂, H₂S, NH₃, SO₂, and NO₂
 - Use of our Products in places where the Products are exposed to static electricity or electromagnetic waves
 - Use of our Products in proximity to heat-producing components, plastic cords, or other flammable items
 - Sealing or coating our Products with resin or other coating materials
 - Use of our Products without cleaning residue of flux (even if you use no-clean type fluxes, cleaning residue of flux is recommended); or Washing our Products by using water or water-soluble cleaning agents for cleaning residue after soldering
 - Use of the Products in places subject to dew condensation
- The Products are not subject to radiation-proof design.
- Please verify and confirm characteristics of the final or mounted products in using the Products.
- In particular, if a transient load (a large amount of load applied in a short period of time, such as pulse. is applied, confirmation of performance characteristics after on-board mounting is strongly recommended. Avoid applying power exceeding normal rated power; exceeding the power rating under steady-state loading condition may negatively affect product performance and reliability.
- De-rate Power Dissipation (Pd) depending on Ambient temperature (Ta). When used in sealed area, confirm the actual ambient temperature.
- Confirm that operation temperature is within the specified range described in the product specification.
- ROHM shall not be in any way responsible or liable for failure induced under deviant condition from what is defined in this document.

Precaution for Mounting / Circuit board design

- When a highly active halogenous (chlorine, bromine, etc.) flux is used, the residue of flux may negatively affect product performance and reliability.
- In principle, the reflow soldering method must be used; if flow soldering method is preferred, please consult with the ROHM representative in advance.

For details, please refer to ROHM Mounting specification

Precautions Regarding Application Examples and External Circuits

1. If change is made to the constant of an external circuit, please allow a sufficient margin considering variations of the characteristics of the Products and external components, including transient characteristics, as well as static characteristics.
2. You agree that application notes, reference designs, and associated data and information contained in this document are presented only as guidance for Products use. Therefore, in case you use such information, you are solely responsible for it and you must exercise your own independent verification and judgment in the use of such information contained in this document. ROHM shall not be in any way responsible or liable for any damages, expenses or losses incurred by you or third parties arising from the use of such information.

Precaution for Electrostatic

This Product is electrostatic sensitive product, which may be damaged due to electrostatic discharge. Please take proper caution in your manufacturing process and storage so that voltage exceeding the Products maximum rating will not be applied to Products. Please take special care under dry condition (e.g. Grounding of human body / equipment / solder iron, isolation from charged objects, setting of ionizer, friction prevention and temperature / humidity control).

Precaution for Storage / Transportation

1. Product performance and soldered connections may deteriorate if the Products are stored in the places where:
 - [a] the Products are exposed to sea winds or corrosive gases, including Cl₂, H₂S, NH₃, SO₂, and NO₂
 - [b] the temperature or humidity exceeds those recommended by ROHM
 - [c] the Products are exposed to direct sunshine or condensation
 - [d] the Products are exposed to high Electrostatic
2. Even under ROHM recommended storage condition, solderability of products out of recommended storage time period may be degraded. It is strongly recommended to confirm solderability before using Products of which storage time is exceeding the recommended storage time period.
3. Store / transport cartons in the correct direction, which is indicated on a carton with a symbol. Otherwise bent leads may occur due to excessive stress applied when dropping of a carton.
4. Use Products within the specified time after opening a humidity barrier bag. Baking is required before using Products of which storage time is exceeding the recommended storage time period.

Precaution for Product Label

QR code printed on ROHM Products label is for ROHM's internal use only.

Precaution for Disposition

When disposing Products please dispose them properly using an authorized industry waste company.

Precaution for Foreign Exchange and Foreign Trade act

Since our Products might fall under controlled goods prescribed by the applicable foreign exchange and foreign trade act, please consult with ROHM representative in case of export.

Precaution Regarding Intellectual Property Rights

1. All information and data including but not limited to application example contained in this document is for reference only. ROHM does not warrant that foregoing information or data will not infringe any intellectual property rights or any other rights of any third party regarding such information or data. ROHM shall not be in any way responsible or liable for infringement of any intellectual property rights or other damages arising from use of such information or data.:
2. No license, expressly or implied, is granted hereby under any intellectual property rights or other rights of ROHM or any third parties with respect to the information contained in this document.

Other Precaution

1. This document may not be reprinted or reproduced, in whole or in part, without prior written consent of ROHM.
2. The Products may not be disassembled, converted, modified, reproduced or otherwise changed without prior written consent of ROHM.
3. In no event shall you use in any way whatsoever the Products and the related technical information contained in the Products or this document for any military purposes, including but not limited to, the development of mass-destruction weapons.
4. The proper names of companies or products described in this document are trademarks or registered trademarks of ROHM, its affiliated companies or third parties.

General Precaution

1. Before you use our Products, you are requested to carefully read this document and fully understand its contents. ROHM shall not be in any way responsible or liable for failure, malfunction or accident arising from the use of any ROHM's Products against warning, caution or note contained in this document.
2. All information contained in this document is current as of the issuing date and subject to change without any prior notice. Before purchasing or using ROHM's Products, please confirm the latest information with a ROHM sales representative.
3. The information contained in this document is provided on an "as is" basis and ROHM does not warrant that all information contained in this document is accurate and/or error-free. ROHM shall not be in any way responsible or liable for any damages, expenses or losses incurred by you or third parties resulting from inaccuracy or errors of or concerning such information.

AMEYA360

Components Supply Platform

Authorized Distribution Brand :



Website :

Welcome to visit www.ameya360.com

Contact Us :

➤ Address :

401 Building No.5, JiuGe Business Center, Lane 2301, Yishan Rd
Minhang District, Shanghai , China

➤ Sales :

Direct +86 (21) 6401-6692

Email amall@ameya360.com

QQ 800077892

Skype [ameyasales1](#) [ameyasales2](#)

➤ Customer Service :

Email service@ameya360.com

➤ Partnership :

Tel +86 (21) 64016692-8333

Email mkt@ameya360.com