

NLSF3T125

Quad Bus Buffer

with 3-State Control Inputs

The NLSF3T125 is a high speed CMOS quad bus buffer fabricated with silicon gate CMOS technology. It achieves high speed operation similar to equivalent Bipolar Schottky TTL while maintaining CMOS low power dissipation.

The NLSF3T125 requires the 3-state control input (\overline{OE}) to be set High to place the output into the high impedance state.

The T125 inputs are compatible with TTL levels. This device can be used as a level converter for interfacing 3.3 V to 5.0 V, because it has full 5.0 V CMOS level output swings.

The NLSF3T125 input structures provide protection when voltages between 0 V and 5.5 V are applied, regardless of the supply voltage. The output structures also provide protection when $V_{CC} = 0$ V. These input and output structures help prevent device destruction caused by supply voltage – input/output voltage mismatch, battery backup, hot insertion, etc.

The internal circuit is composed of three stages, including a buffer output which provides high noise immunity and stable output. The inputs tolerate voltages up to 7.0 V, allowing the interface of 5.0 V systems to 3.0 V systems.

Features

- High Speed: $t_{PD} = 3.8$ ns (Typ) at $V_{CC} = 5.0$ V
- Low Power Dissipation: $I_{CC} = 4.0$ μ A (Max) at $T_A = 25^\circ$ C
- TTL-Compatible Inputs: $V_{IL} = 0.8$ V; $V_{IH} = 2.0$ V
- Power Down Protection Provided on Inputs
- Balanced Propagation Delays
- Designed for 2.0 V to 5.5 V Operating Range
- Low Noise: $V_{OLP} = 0.8$ V (Max)
- Pin and Function Compatible with Other Standard Logic Families
- Latchup Performance Exceeds 300 mA
- ESD Performance: Human Body Model; > 2000 V, Machine Model; > 200 V
- Chip Complexity: 72 FETs or 18 Equivalent Gates
- These Devices are Pb-Free and are RoHS Compliant

FUNCTION TABLE

| NLSF3T125 | | |
|-----------|-----------------|--------|
| Inputs | | Output |
| A | \overline{OE} | Y |
| H | L | H |
| L | L | L |
| X | H | Z |



ON Semiconductor®

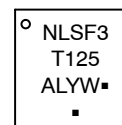
<http://onsemi.com>



1

QFN-16
CASE 485G

MARKING DIAGRAM



NLSF3T125 = Specific Device Code
A = Assembly Location
L = Wafer Lot
Y = Year
W = Work Week
▪ = Pb-Free Package

(Note: Microdot may be in either location)

ORDERING INFORMATION

| Device | Package | Shipping† |
|----------------|---------------------|------------------|
| NLSF3T125MNR2G | QFN-16 (Pb-Free) | 3000/Tape & Reel |

†For information on tape and reel specifications, including part orientation and tape sizes, please refer to our Tape and Reel Packaging Specifications Brochure, BRD8011/D.

NLSF3T125

Active-Low Output Enables

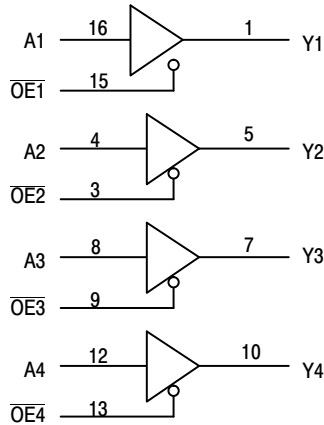


Figure 1. Logic Diagram

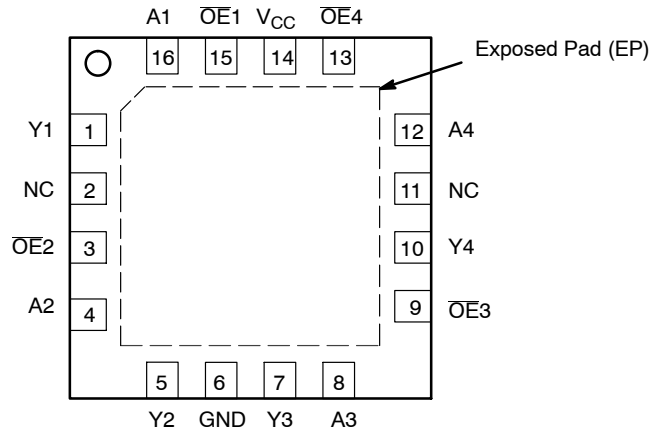


Figure 2. QFN – 16 Pinout (Top View)

MAXIMUM RATINGS

| Symbol | Parameter | Value | Units |
|-----------|---|--|-------------|
| V_{CC} | DC Supply Voltage | -0.5 to +7.0 | V |
| V_{in} | DC Input Voltage | -0.5 to +7.0 | V |
| V_{out} | DC Output Voltage Output in 3-State High or Low State | -0.5 to +7.0 -0.5 to $V_{CC} + 0.5$ | V |
| I_{IK} | Input Diode Current | -20 | mA |
| I_{OK} | Output Diode Current ($V_{OUT} < GND$; $V_{OUT} > V_{CC}$) | ± 20 | mA |
| I_{out} | DC Output Current, per Pin | ± 25 | mA |
| I_{CC} | DC Supply Current, V_{CC} and GND Pins | ± 75 | mA |
| P_D | Power Dissipation in Still Air QFN Packages | 500 | mW |
| T_{stg} | Storage Temperature | -65 to +150 | $^{\circ}C$ |

This device contains protection circuitry to guard against damage due to high static voltages or electric fields. However, precautions must be taken to avoid applications of any voltage higher than maximum rated voltages to this high-impedance circuit. For proper operation, V_{in} and V_{out} should be constrained to the range $GND \leq (V_{in} \text{ or } V_{out}) \leq V_{CC}$. Unused inputs must always be tied to an appropriate logic voltage level (e.g., either GND or V_{CC}). Unused outputs must be left open.

Stresses exceeding Maximum Ratings may damage the device. Maximum Ratings are stress ratings only. Functional operation above the Recommended Operating Conditions is not implied. Extended exposure to stresses above the Recommended Operating Conditions may affect device reliability.

NLSF3T125

RECOMMENDED OPERATING CONDITIONS

| Symbol | Parameter | Min | Max | Units |
|------------|--|--------|-----------------|-------|
| V_{CC} | DC Supply Voltage | 2.0 | 5.5 | V |
| V_{in} | DC Input Voltage | 0 | 5.5 | V |
| V_{out} | DC Output Voltage Output in 3-State High or Low State | 0 0 | 5.5 V_{CC} | V |
| T_A | Operating Temperature | -40 | +85 | °C |
| t_r, t_f | Input Rise and Fall Time $V_{CC} = 5.0\text{ V} \pm 0.5\text{ V}$ | 0 | 20 | ns/V |

DC ELECTRICAL CHARACTERISTICS

| Symbol | Parameter | Test Conditions | V_{CC} (V) | $T_A = 25^\circ\text{C}$ | | | $T_A \leq 85^\circ\text{C}$ | | $T_A \leq 125^\circ\text{C}$ | | Units | | |
|-----------|--|---|-----------------|---|-----|--|---|--|---|--|-------|---------------|---|
| | | | | Min | Typ | Max | Min | Max | Min | Max | | | |
| V_{IH} | Minimum High-Level Input Voltage | $2.3\text{ V} \pm 0.3\text{ V}$ $3.3\text{ V} \pm 0.3\text{ V}$ $5.0\text{ V} \pm 0.5\text{ V}$ | | $0.5 V_{CC}$ $0.4 V_{CC}$ $0.44 V_{CC}$ | | | $0.5 V_{CC}$ $0.4 V_{CC}$ $0.44 V_{CC}$ | | $0.5 V_{CC}$ $0.4 V_{CC}$ $0.44 V_{CC}$ | | V | | |
| V_{IL} | Maximum Low-Level Input Voltage | $2.3\text{ V} \pm 0.3\text{ V}$ $3.3\text{ V} \pm 0.3\text{ V}$ $5.0\text{ V} \pm 0.5\text{ V}$ | | | | $0.3 V_{CC}$ $0.18 V_{CC}$ $0.18 V_{CC}$ | | $0.3 V_{CC}$ $0.18 V_{CC}$ $0.18 V_{CC}$ | | $0.3 V_{CC}$ $0.18 V_{CC}$ $0.18 V_{CC}$ | | V | |
| V_{OH} | Minimum High-Level Output Voltage $V_{IN} = V_{IH}$ or V_{IL} | $V_{OL} @ I_{OL}, 50\text{ mA}$ $V_{IN} = V_{IH}$ or V_{IL} $I_{OH} = -50\text{ }\mu\text{A}$ | 2.0 | 1.9 | 2.0 | | | 1.9 | | 1.9 | | V | |
| | | | 3.0 | 2.9 | 3.0 | | | 2.9 | | 2.9 | | | |
| | | | 4.5 | 4.4 | 4.5 | | | 4.4 | | 4.4 | | | |
| V_{OL} | Maximum Low-Level Output Voltage $V_{IN} = V_{IH}$ or V_{IL} | $V_{OL} @ I_{OL}, 50\text{ mA}$ $V_{IN} = V_{IH}$ or V_{IL} $I_{OL} = 50\text{ }\mu\text{A}$ | 2.0 | | 0.0 | 0.1 | | | 0.1 | | 0.1 | | V |
| | | | 3.0 | | 0.0 | 0.1 | | | 0.1 | | 0.1 | | |
| | | | 4.5 | | 0.0 | 0.1 | | | 0.1 | | 0.1 | | |
| V_{OL} | Maximum Low-Level Output Voltage $V_{IN} = V_{IH}$ or V_{IL} | $V_{IN} = V_{IH}$ or V_{IL} $I_{OL} = 2.0\text{ mA}$ $I_{OL} = 4.0\text{ mA}$ $I_{OL} = 8.0\text{ mA}$ | 2.0 | | | 0.36 | | | 0.44 | | 0.52 | | V |
| | | | 3.0 | | | 0.36 | | | 0.44 | | 0.52 | | |
| | | | 4.5 | | | 0.36 | | | 0.44 | | 0.52 | | |
| I_{IN} | Maximum Input Leakage Current | $V_{IN} = 5.5\text{ V}$ or GND | 0 to 5.5 | | | ± 0.1 | | ± 1.0 | | ± 1.0 | | μA | |
| I_{CC} | Maximum Quiescent Supply Current | $V_{IN} = V_{CC}$ or GND | 5.5 | | | 2.0 | | 20 | | 40 | | μA | |
| I_{CCT} | Quiescent Supply Current | Input: $V_{IN} = 3.4\text{ V}$ | 5.5 | | | 1.35 | | 1.50 | | 1.65 | | mA | |
| I_{OZ} | Maximum 3-State Leakage Current | $V_{IN} = V_{IH}$ or V_{IL} $V_{OUT} = V_{CC}$ or GND | 5.5 | | | ± 0.25 | | ± 2.5 | | ± 2.5 | | μA | |
| I_{OPD} | Output Leakage Current | $V_{OUT} = 5.5\text{ V}$ | 0.0 | | | 0.5 | | 5.0 | | 10 | | μA | |

NLSF3T125

AC ELECTRICAL CHARACTERISTICS (Input $t_r = t_f = 3.0$ ns)

| Symbol | Parameter | Test Conditions | $T_A = 25^\circ\text{C}$ | | | $T_A \leq 85^\circ\text{C}$ | | $T_A \leq 125^\circ\text{C}$ | | Units |
|----------------------------|---|---|--|------|------|-----------------------------|------|------------------------------|------|-------|
| | | | Min | Typ | Max | Min | Max | Min | Max | |
| t_{PLH} , t_{PHL} | Maximum Propagation Delay, A to Y | $V_{CC} = 2.3 \pm 0.3$ V $C_L = 15$ pF | 1.0 | 14.5 | 16.9 | 1.0 | 18.1 | 1.0 | 19.2 | ns |
| | | $V_{CC} = 3.3 \pm 0.3$ V $C_L = 15$ pF | 1.0 | 5.6 | 8.0 | 1.0 | 9.5 | 1.0 | 12.0 | ns |
| | | $C_L = 50$ pF | 1.0 | 8.1 | 11.5 | 1.0 | 13.0 | 1.0 | 16.0 | |
| | | $V_{CC} = 5.0 \pm 0.5$ V $C_L = 15$ pF | 1.0 | 3.8 | 5.5 | 1.0 | 6.5 | 1.0 | 8.5 | ns |
| | | $C_L = 50$ pF | 1.0 | 5.3 | 7.5 | 1.0 | 8.5 | 1.0 | 10.5 | |
| t_{PZL} , t_{PZH} | Maximum Output Enable Time, OE to Y | $V_{CC} = 2.3 \pm 0.3$ V $C_L = 15$ pF | 1.0 | 14.8 | 16.2 | 1.0 | 17.4 | 1.0 | 19.3 | ns |
| | | $V_{CC} = 3.3 \pm 0.3$ V $C_L = 15$ pF | 1.0 | 5.4 | 8.0 | 1.0 | 9.5 | 1.0 | 11.5 | ns |
| | | $R_L = 1.0$ k Ω $C_L = 50$ pF | 1.0 | 7.9 | 11.5 | 1.0 | 13.0 | 1.0 | 15.0 | |
| | | $V_{CC} = 5.0 \pm 0.5$ V $C_L = 15$ pF | 1.0 | 3.6 | 5.1 | 1.0 | 6.0 | 1.0 | 7.5 | ns |
| | | $R_L = 1.0$ k Ω $C_L = 50$ pF | 1.0 | 5.1 | 7.1 | 1.0 | 8.0 | 1.0 | 9.5 | |
| t_{PLZ} , t_{PHZ} | Maximum Output Disable Time, OE to Y | $V_{CC} = 2.3 \pm 0.3$ V $C_L = 15$ pF | 1.0 | 15.4 | 18.0 | 1.0 | 19.8 | 1.0 | 22.0 | ns |
| | | $V_{CC} = 3.3 \pm 0.3$ V $C_L = 50$ pF | 1.0 | 9.5 | 13.2 | 1.0 | 15.0 | 1.0 | 18.0 | ns |
| | | $R_L = 1.0$ k Ω | | | | | | | | |
| | | $V_{CC} = 5.0 \pm 0.5$ V $C_L = 50$ pF | 1.0 | 6.1 | 8.8 | 1.0 | 10.0 | 1.0 | 12.0 | ns |
| | | $R_L = 1.0$ k Ω | | | | | | | | |
| t_{OSLH} , t_{OSHL} | Output-to-Output Skew | $V_{CC} = 3.3 \pm 0.3$ V $C_L = 50$ pF (Note 1) | | | 1.5 | | 1.5 | | 2.0 | ns |
| | | $V_{CC} = 5.0 \pm 0.5$ V $C_L = 50$ pF (Note 1) | | | 1.0 | | 1.0 | | 1.5 | |
| C_{in} | Maximum Input Capacitance | | | 4 | 10 | | 10 | | 10 | pF |
| C_{out} | Maximum Three-State Output Capacitance (Output in High Impedance State) | | | 6 | | | | | | pF |
| | | | Typical @ 25°C, $V_{CC} = 5.0$ V | | | | | | | |
| C_{PD} | Power Dissipation Capacitance (Note 2) | | 15 | | | | | | | pF |

- Parameter guaranteed by design. $t_{OSLH} = |t_{PLHm} - t_{PLHn}|$, $t_{OSHL} = |t_{PHLm} - t_{PHLn}|$.
- C_{PD} is defined as the value of the internal equivalent capacitance which is calculated from the operating current consumption without load. Average operating current can be obtained by the equation: $I_{CC(OPR)} = C_{PD} \cdot V_{CC} \cdot f_{in} + I_{CC}/4$ (per buffer). C_{PD} is used to determine the no-load dynamic power consumption; $P_D = C_{PD} \cdot V_{CC}^2 \cdot f_{in} + I_{CC} \cdot V_{CC}$.

NOISE CHARACTERISTICS (Input $t_r = t_f = 3.0$ ns, $C_L = 50$ pF, $V_{CC} = 5.0$ V)

| Symbol | Characteristic | $T_A = 25^\circ\text{C}$ | | Units |
|-----------|--|--------------------------|------|-------|
| | | Typ | Max | |
| V_{OLP} | Quiet Output Maximum Dynamic V_{OL} | 0.3 | 0.8 | V |
| V_{OLV} | Quiet Output Minimum Dynamic V_{OL} | -0.3 | -0.8 | V |
| V_{IHD} | Minimum High Level Dynamic Input Voltage | | 3.5 | V |
| V_{ILD} | Maximum Low Level Dynamic Input Voltage | | 1.5 | V |

NLSF3T125

SWITCHING WAVEFORMS

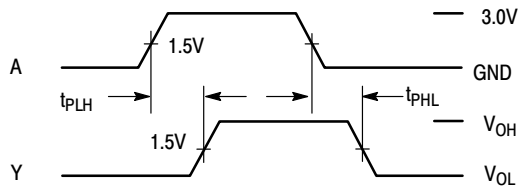


Figure 3.

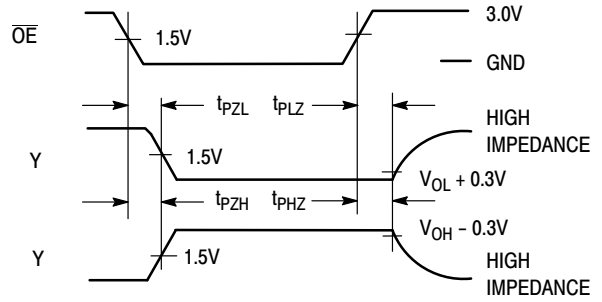
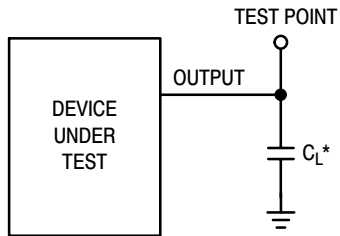
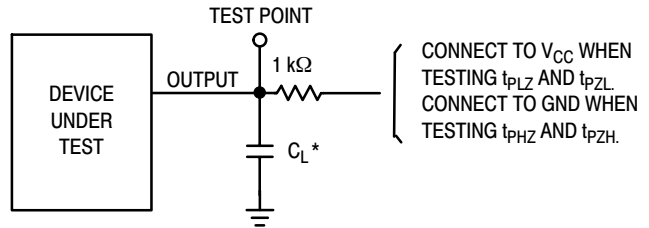


Figure 4.



*Includes all probe and jig capacitance

Figure 5. Test Circuit



*Includes all probe and jig capacitance

Figure 6. Test Circuit

AMEYA360

Components Supply Platform

Authorized Distribution Brand :



Website :

Welcome to visit www.ameya360.com

Contact Us :

➤ Address :

401 Building No.5, JiuGe Business Center, Lane 2301, Yishan Rd
Minhang District, Shanghai , China

➤ Sales :

Direct +86 (21) 6401-6692

Email amall@ameya360.com

QQ 800077892

Skype [ameyasales1](#) [ameyasales2](#)

➤ Customer Service :

Email service@ameya360.com

➤ Partnership :

Tel +86 (21) 64016692-8333

Email mkt@ameya360.com