

STRADA-S LENSES FOR NICHIA 119 /219 LEDs



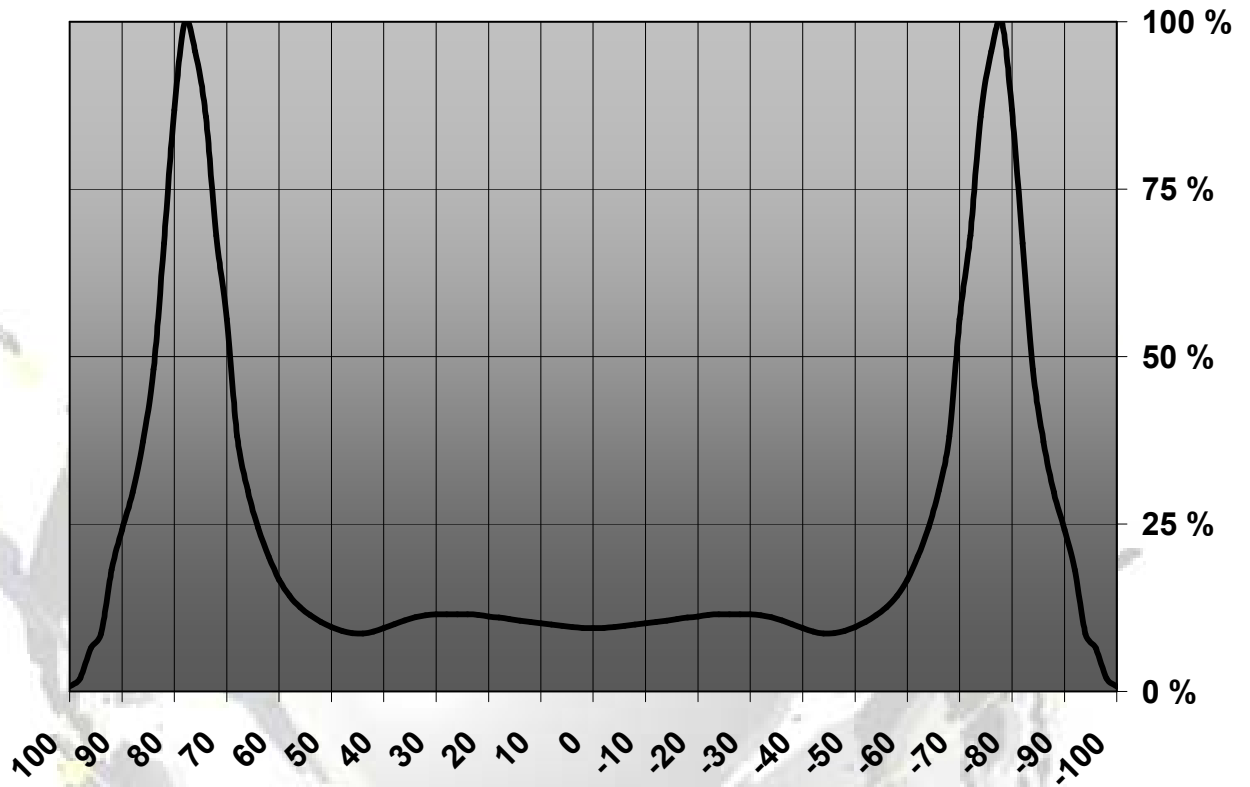
- Extremely wide SIDE-EMITTING design.
- Comes with integrated positioning pins.
- Lens material optical grade PMMA with high UV and temperature resistance (105°C/220°F). Allows use of high current and temperature conditions
- Best available optical efficiency, approximately 92%.
- Fastening to heat sink with or without PU foam adhesive tape of automotive grade, please select which suits the best for your needs.
- Please check fastening details from this link:
(http://www.ledil.com/datasheets/DataSheet_TAPE.pdf)

LENS TYPES

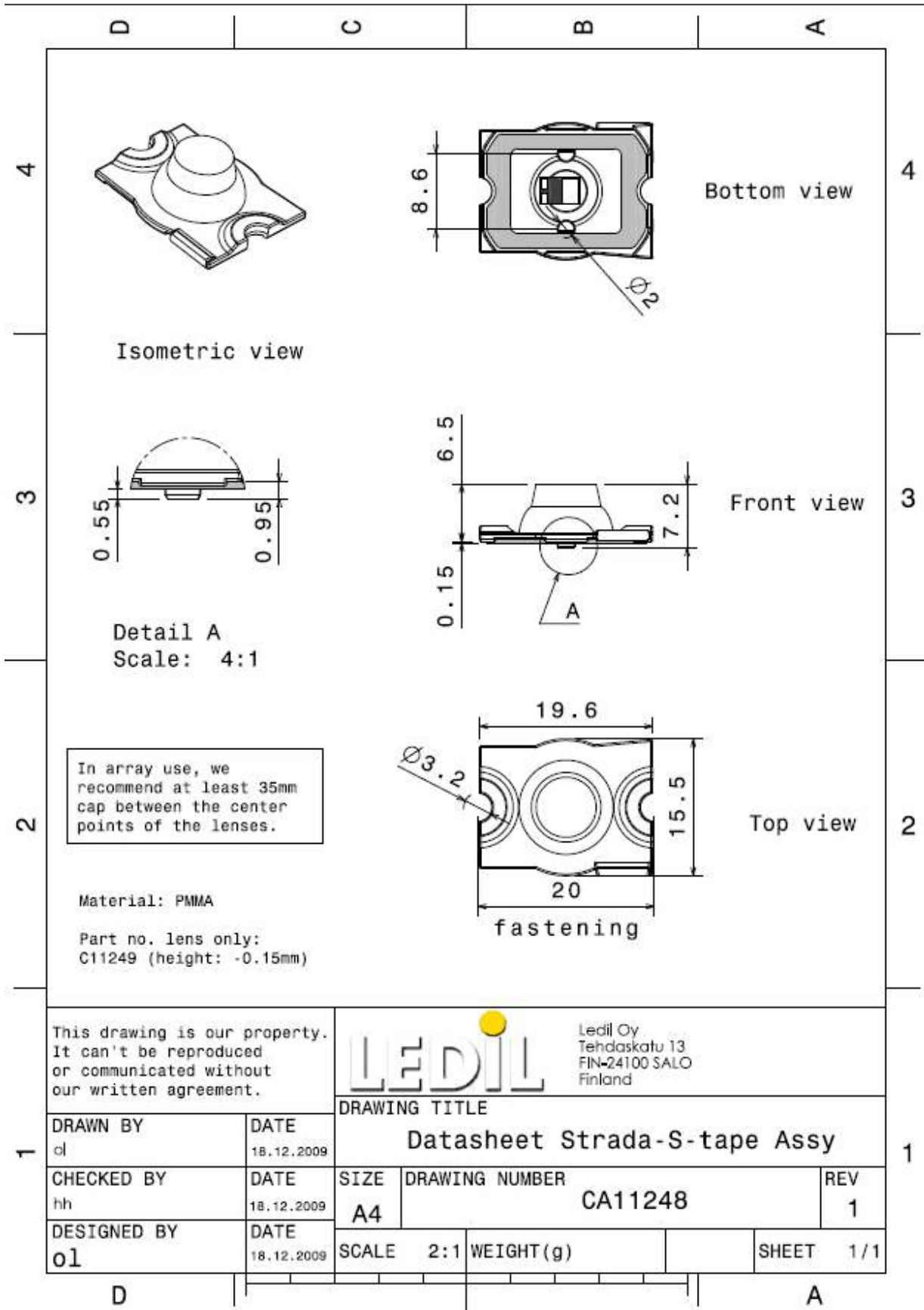
NAME	ORDERING CODE	FWHM Angle
Strada-S	C11249_Strada-S-N19	±69° & ±81°
Strada-S- TAPE	CA11248_Strada-S-N19-tape	±69° & ±81°

MEASUREMENT DATA & DRAWING

Relative Intensity of C11249_Strada-S-N119



© Ledil Oy – PRELIMINARY - Subject to change without prior notice



© Ledil Oy - PRELIMINARY - Subject to change without prior notice

AMEYA360

Components Supply Platform

Authorized Distribution Brand :



Website :

Welcome to visit www.ameya360.com

Contact Us :

➤ Address :

401 Building No.5, JiuGe Business Center, Lane 2301, Yishan Rd
Minhang District, Shanghai , China

➤ Sales :

Direct +86 (21) 6401-6692

Email amall@ameya360.com

QQ 800077892

Skype [ameyasales1](#) [ameyasales2](#)

➤ Customer Service :

Email service@ameya360.com

➤ Partnership :

Tel +86 (21) 64016692-8333

Email mkt@ameya360.com