

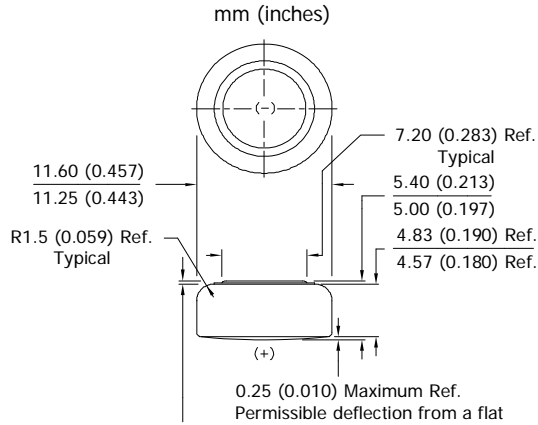
ENERGIZER 357/303

ZEROMERCURY

SILVER OXIDE



Industry Standard Dimensions



0.13 (0.005) Minimum Ref.
(applies to top edge of gasket or edge of crimp, whichever is higher)

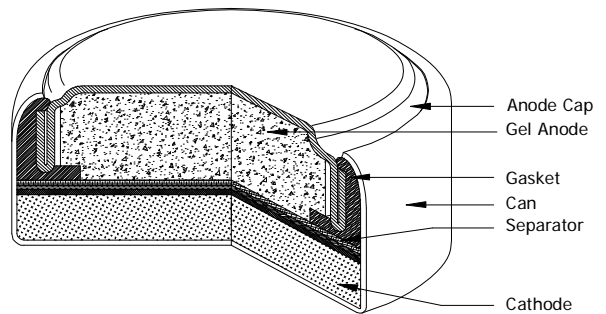
DESIGNED FOR USE ON CONTINUOUS LOW DRAIN
(HIGH PULSE ON DEMAND)

Specifications

- Chemical System:** Silver Oxide (Zn/Ag₂O)
- Designation:** ANSI-1131SO, IEC-SR44
- Nominal Voltage:** 1.55 Volts
- Typical Capacity:** 150 mAh* (to 1.2 volts)
- Capacity Test:** 6.8K ohm continuous drain at 21°C
- Typical Weight:** 2.3 grams (0.08 oz.)
- Typical Volume:** 0.57 cubic centimeters (0.035 cubic inch)
- Impedance (40 Hz):** 5 to 15 ohms

* Varies according to the applied load, temperature, and cutoff voltage.

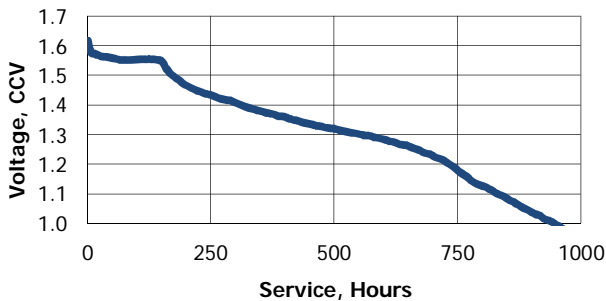
Cross Section



Typical Discharge Characteristics

Typical Performance at 21°C (70°F)

Schedule: Continuous
Typical Drain @1.39V:
0.204 milliamperes
Load: 6.8K ohm

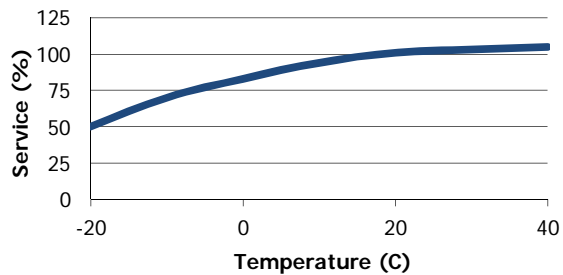


<u>Schedule</u>	<u>Typical Drains</u> at 1.39V (milliamperes)	<u>Load</u> (ohm)	<u>Cutoff</u> 1.2V (hours)
Continuous	0.204	6.8K	734

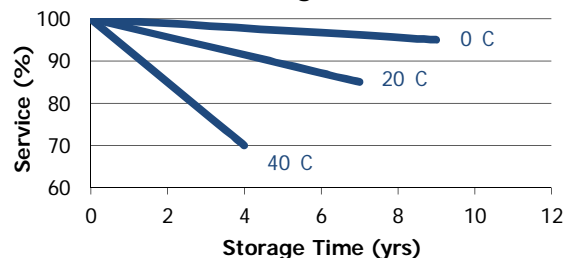
Temperature Characteristics

Typical Performance at Low Discharge Rates

Service Effects



Storage Effects



Important Notice

This datasheet contains typical information specific to products manufactured at the time of its publication.

©Energizer Holdings, Inc. - Contents herein do not constitute a warranty.

AMEYA360

Components Supply Platform

Authorized Distribution Brand :



Website :

Welcome to visit www.ameya360.com

Contact Us :

➤ Address :

401 Building No.5, JiuGe Business Center, Lane 2301, Yishan Rd
Minhang District, Shanghai , China

➤ Sales :

Direct +86 (21) 6401-6692

Email amall@ameya360.com

QQ 800077892

Skype [ameyasales1](#) [ameyasales2](#)

➤ Customer Service :

Email service@ameya360.com

➤ Partnership :

Tel +86 (21) 64016692-8333

Email mkt@ameya360.com