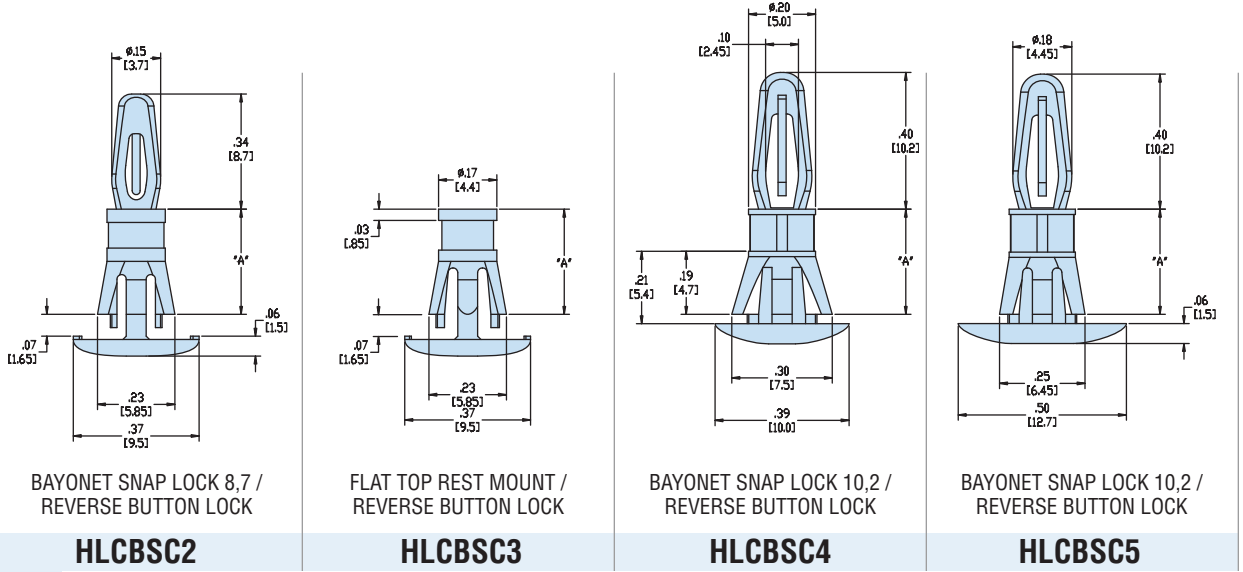




# Heyco® Nylon PCB Supports - Reverse Locking



BAYONET SNAP LOCK 8.7 /  
REVERSE BUTTON LOCK

FLAT TOP REST MOUNT /  
REVERSE BUTTON LOCK

BAYONET SNAP LOCK 10.2 /  
REVERSE BUTTON LOCK

BAYONET SNAP LOCK 10.2 /  
REVERSE BUTTON LOCK

**HLCBSC2**

**HLCBSC3**

**HLCBSC4**

**HLCBSC5**

	Maximum Thickness		Mounting Hole Diameter		Maximum Thickness		Mounting Hole Diameter		Maximum Thickness		Mounting Hole Diameter		Maximum Thickness		Mounting Hole Diameter	
	in.	mm.	in.	mm.	in.	mm.	in.	mm.	in.	mm.	in.	mm.	in.	mm.	in.	mm.
<b>PCB</b>	.062	1,6	.125	3,2	flat top rest mount				.062	1,6	.157	4,0	.062	1,6	.157	4,0
<b>Chassis</b>	.062	1,6	.187	4,8	.062	1,6	.187	4,8	.047	1,2	.236	6,0	.078	2,0	.212	5,4
A	PART NO.		DESCRIPTION		PART NO.		DESCRIPTION		PART NO.		DESCRIPTION		PART NO.		DESCRIPTION	
in.	Natural				Natural				Natural				Natural			
.187									<b>10375</b>		HLCBSC4-03					
.250	<b>10359</b>		HLCBSC2-04		<b>10367</b>		HLCBSC3-04		<b>10376</b>		HLCBSC4-04		<b>10382</b>		HLCBSC5-04	
.312	<b>10360</b>		HLCBSC2-05		<b>10368</b>		HLCBSC3-05		<b>10377</b>		HLCBSC4-05					
.375	<b>10361</b>		HLCBSC2-06		<b>10369</b>		HLCBSC3-06		<b>10378</b>		HLCBSC4-06		<b>10383</b>		HLCBSC5-06	
.437	<b>10362</b>		HLCBSC2-07		<b>10370</b>		HLCBSC3-07									
.500	<b>10363</b>		HLCBSC2-08		<b>10371</b>		HLCBSC3-08		<b>10379</b>		HLCBSC4-08		<b>10384</b>		HLCBSC5-08	
.562	<b>10364</b>		HLCBSC2-09		<b>10372</b>		HLCBSC3-09		<b>10381</b>		HLCBSC4-10					
.625	<b>10365</b>		HLCBSC2-10		<b>10373</b>		HLCBSC3-10						<b>10385</b>		HLCBSC5-10	
.750									<b>10380</b>		HLCBSC4-12					

Standard color natural. For special order parts in UL 94V-0 natural material, add the suffix "F" to Part No.

*Quick Specs*

Material: Nylon 6/6  
 Flammability Rating: 94V-2  
 Temperature Range: .4°F (-18°C) to 185°F (85°C)

# AMEYA360

## Components Supply Platform

Authorized Distribution Brand :



Website :

Welcome to visit [www.ameya360.com](http://www.ameya360.com)

Contact Us :

➤ Address :

401 Building No.5, JiuGe Business Center, Lane 2301, Yishan Rd  
Minhang District, Shanghai , China

➤ Sales :

Direct +86 (21) 6401-6692

Email [amall@ameya360.com](mailto:amall@ameya360.com)

QQ 800077892

Skype [ameyasales1](#) [ameyasales2](#)

➤ Customer Service :

Email [service@ameya360.com](mailto:service@ameya360.com)

➤ Partnership :

Tel +86 (21) 64016692-8333

Email [mkt@ameya360.com](mailto:mkt@ameya360.com)