

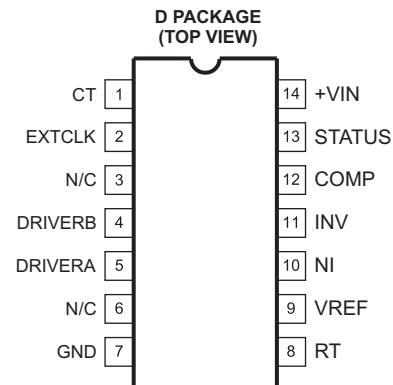
ISOLATED FEEDBACK GENERATOR

 Check for Samples: [UC2901-EP](#)

FEATURES

- **Controlled Baseline**
 - One Assembly/Test Site, One Fabrication Site
- **Extended Temperature Performance of –55°C to 125°C**
- **Enhanced Diminishing Manufacturing Sources (DMS) Support**
- **Enhanced Product-Change Notification**
- **Qualification Pedigree ⁽¹⁾**
- **Amplitude-Modulation System for Transformer Coupling an Isolated Feedback Error Signal**
- **Low-Cost Alternative to Optical Couplers**
- **Internal 1% Reference and Error Amplifier**
- **Internal Carrier Oscillator Usable to 5 MHz**
- **Modulator Synchronizable to an External Clock**
- **Loop Status Monitor**

(1) Component qualification in accordance with JEDEC and industry standards to ensure reliable operation over an extended temperature range. This includes, but is not limited to, Highly Accelerated Stress Test (HAST) or biased 85/85, temperature cycle, autoclave or unbiased HAST, electromigration, bond intermetallic life, and mold compound life. Such qualification testing should not be viewed as justifying use of this component beyond specified performance and environmental limits.



N/C = No internal connection

DESCRIPTION

The UC2901 is designed to solve many of the problems associated with closing a feedback control loop across a voltage isolation boundary. As a stable and reliable alternative to an optical coupler, UC2901 features an amplitude modulation system that allows a loop error signal to be coupled with a small RF transformer or capacitor.

The programmable, high-frequency oscillator within the UC2901 permits the use of smaller, less-expensive transformers, which can readily be built to meet the isolation requirements of today's line-operated power systems. As an alternative to RF operation, the external clock input to these devices allows synchronization to a system clock or to the switching frequency of an SMPS.

An additional feature is a status monitoring circuit that provides an active low output when the sensed error voltage is within $\pm 10\%$ of the reference. The DRIVERA output, DRIVERB output, and STATUS output are disabled until the input supply has reached a sufficient level to allow proper operation of the device.

Because these devices also can be used as a DC driver for optical couplers, the benefits of 4.5 V to 40 V supply operation, a 1% accurate reference, and a high-gain general-purpose amplifier offer advantages, even though an AC system may not be desired.

ORDERING INFORMATION

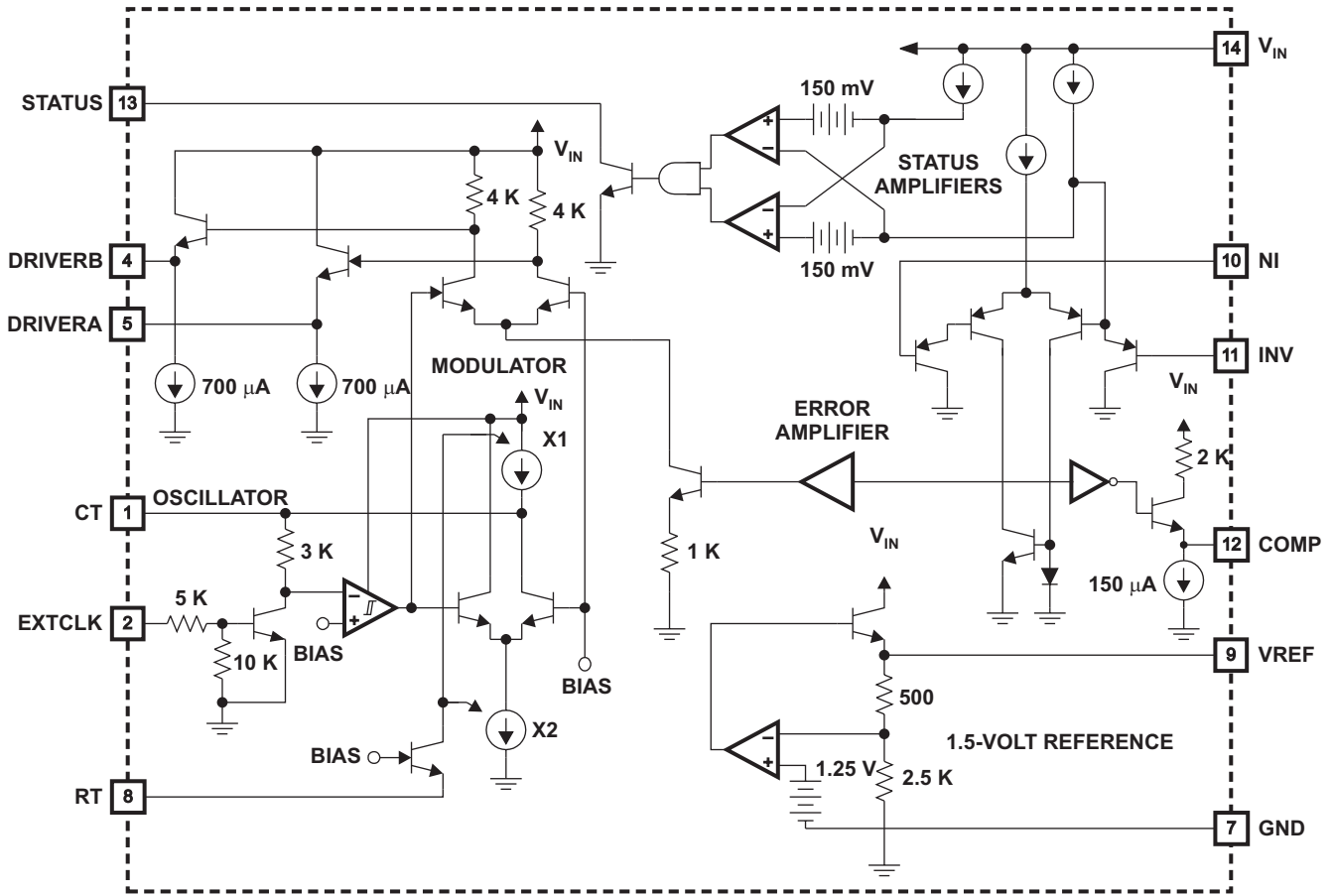
| T _A | PACKAGE ⁽¹⁾ | ORDERABLE PART NUMBER | TOP-SIDE MARKING |
|----------------|------------------------|-----------------------|------------------|
| –55°C to 125°C | D (SOIC) | UC2901MDREP | UC2901MEP |

(1) Package drawings, standard packing quantities, thermal data, symbolization, and PCB design guidelines are available at www.ti.com/sc/package.



Please be aware that an important notice concerning availability, standard warranty, and use in critical applications of Texas Instruments semiconductor products and disclaimers thereto appears at the end of this data sheet.

UC2901 SIMPLIFIED SCHEMATIC



Absolute Maximum Ratings⁽¹⁾

over operating free-air temperature range (unless otherwise noted)

| | | MIN | MAX | UNIT |
|----------|---|------|------|------------------|
| V_{IN} | Input supply voltage | | 40 | V |
| | Reference output current | | -10 | mA |
| | Driver output current | | -35 | mA |
| | Status indicator voltage | | 40 | V |
| | Status indicator current | | 20 | mA |
| | External clock input | | 40 | V |
| | Error amplifier inputs | -0.5 | 35 | V |
| | Power dissipation at $T_A = 25^\circ\text{C}$ | | 1000 | mW |
| | Operating junction temperature range | -55 | 150 | $^\circ\text{C}$ |
| | Storage temperature range ⁽²⁾ | -65 | 150 | $^\circ\text{C}$ |
| | Lead temperature (soldering, 10 seconds) | | 300 | $^\circ\text{C}$ |

(1) Voltages are referenced to ground, pin 7. Currents are positive into, and negative out of the specified terminal.

(2) Long-term high-temperature storage and/or extended use at maximum recommended operating conditions may result in a reduction of overall device life. See http://www.ti.com/ep_quality for additional information on enhanced plastic packaging.

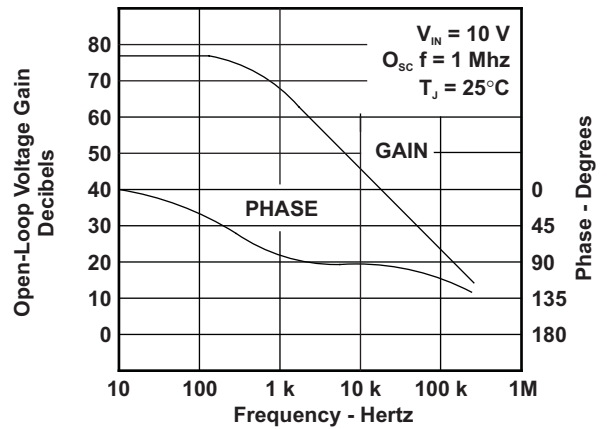
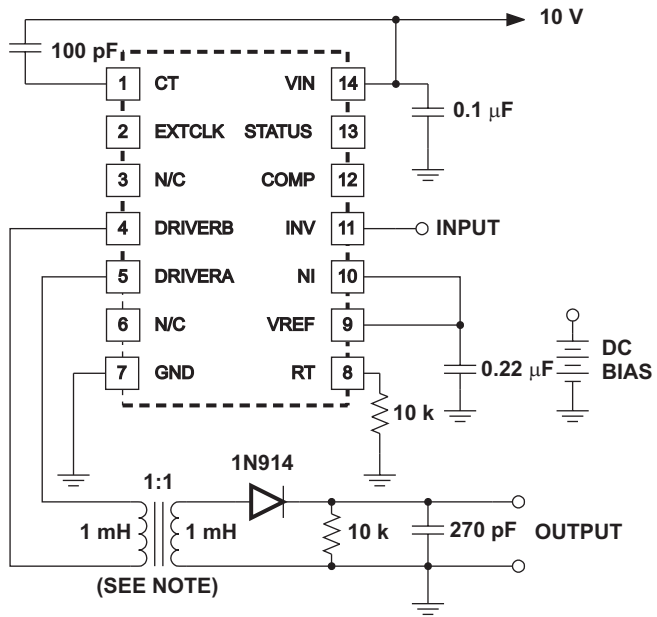
DISSIPATION RATING TABLE - FREE-AIR TEMPERATURE

| PACKAGE | AIR FLOW (CFM) | T _A ≤ 25°C POWER RATING | DERATING FACTOR ABOVE T _A = 25°C | T _A = 70°C POWER RATING | T _A = 85°C POWER RATING | T _A = 125°C POWER RATING |
|---------|----------------|------------------------------------|---|------------------------------------|------------------------------------|-------------------------------------|
| D | 0 | 1000 mW | 8 mW/°C | 630 mW | 510 mW | 180 mW |

Electrical Characteristics

over recommended operating free-air temperature range (unless otherwise noted)

| PARAMETER | TEST CONDITIONS | MIN | TYP | MAX | UNIT |
|--|--|-------|------|-------|------|
| Reference Section | | | | | |
| Output voltage | T _A = 25°C | 1.485 | 1.5 | 1.515 | V |
| | T _{MIN} ≤ T _A ≤ T _{MAX} | 1.470 | 1.5 | 1.530 | |
| Line regulation | V _{IN} = 4.5 to 35 V | | 2 | 10 | mV |
| Load regulation | I _{OUT} = 0 to 5 mA | | 4 | 10 | mV |
| Short-circuit current | T _A = 25°C | | -35 | -55 | mA |
| Error Amplifier Section (To Compensation Terminal) | | | | | |
| Input offset voltage | V _{CM} = 1.5 V | | 1 | 4 | mV |
| Input bias current | V _{CM} = 1.5 V | | -1 | -3 | μA |
| Input offset current | V _{CM} = 1.5 V | | 0.1 | 1 | μA |
| Small-signal open-loop gain | | 40 | 60 | | dB |
| CMRR | V _{CM} = 0.5 V to 7.5 V | 60 | 80 | | dB |
| PSRR | V _{IN} = 5 V to 25 V | 80 | 100 | | dB |
| Output swing, ΔV _O | | 0.4 | 0.7 | | V |
| Maximum sink current | | 90 | 150 | | μA |
| Maximum source current | | -2 | -3 | | mA |
| Gain bandwidth product | | | 1 | | MHz |
| Slew rate | | | 0.3 | | V/μs |
| Modulators/Drivers Section (From Compensation Terminal) | | | | | |
| Voltage gain | | 11 | 12 | 13 | dB |
| Output swing | | ±1.6 | ±2.8 | | V |
| Driver sink current | | 500 | 700 | | μA |
| Driver source current | | -15 | -35 | | mA |
| Gain bandwidth product | | | 25 | | MHz |
| Oscillator Section | | | | | |
| Initial accuracy | T _A = 25°C | 140 | 150 | 160 | kHz |
| | T _{MIN} ≤ T _A ≤ T _{MAX} | 130 | | 170 | |
| Line sensitivity | V _{IN} = 5 V to 35 V | | 0.15 | 0.35 | %/V |
| Maximum frequency | R _T = 10 K, C _T = 10 pF | | 5 | | MHz |
| External clock low threshold | Pin 1 (C _T) = V _{IN} | 0.5 | | | V |
| External clock high threshold | Pin 1 (C _T) = V _{IN} | | | 1.6 | V |
| Status Indicator Section | | | | | |
| Input voltage window | At E/A inputs, V _{CM} = 1.5 V | ±135 | ±150 | ±165 | mV |
| Saturation voltage | E/A Δinput = 0 V, I _{SINK} = 1.6 mA | | | 0.45 | V |
| Maximum output current | Pin 13 = 3 V, E/A Δ input = 0 V | 8 | 15 | | mA |
| Leakage current | Pin 13 = 40 V, E/A Δ input = 0.2 V | | 0.05 | 1 | μA |
| Supply current | V _{IN} = 35 V | | 5 | 8 | mA |
| UVLO Section | | | | | |
| Drivers-enabled threshold | At input supply V _{IN} | | 3.9 | 4.5 | V |
| Status output-enabled threshold | At input supply V _{IN} | | 3.9 | 4.5 | V |
| Change in reference output | When V _{IN} reaches UVLO threshold | | -2 | -30 | mV |



Note: Transformer Data: N1 = N2 = 20 TAWG 26
Core = Ferroxcube 3E2A Ferrite, 0.5" O.D. Toroid
Carrier Frequency = 1 Mhz

Figure 1. Transformer-Coupled Open-Loop Transfer Function

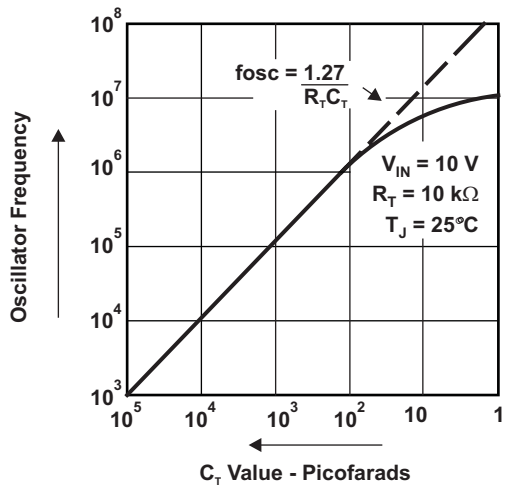


Figure 2. Oscillator Frequency

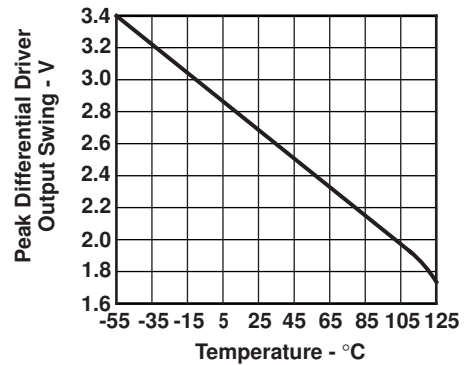


Figure 3. Typical Driver Output Swing vs Temperature

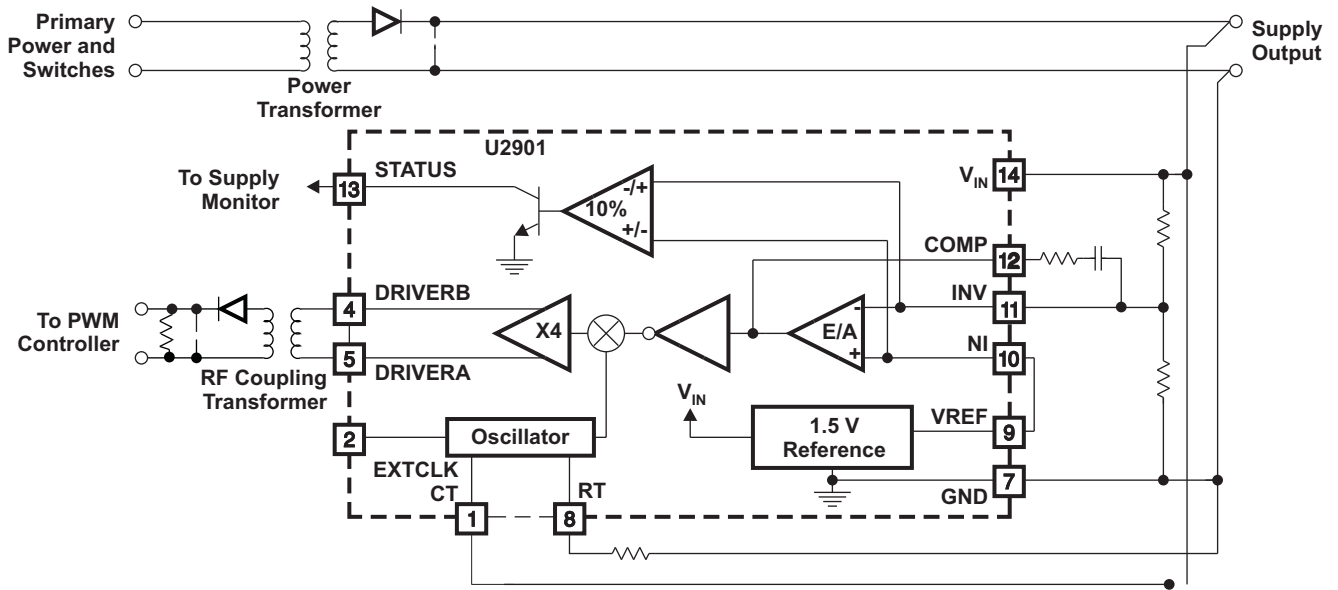


Figure 5. Feedback-Coupled at Switching Frequency

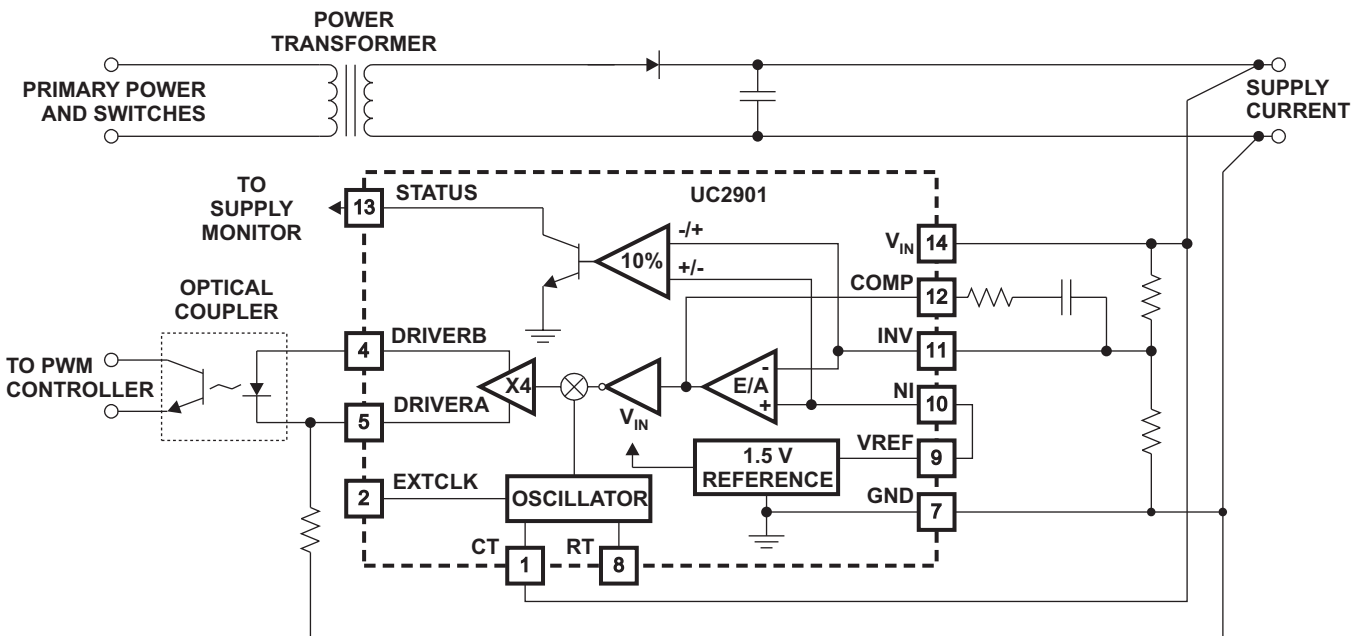


Figure 6. Optically-Coupled DC Feedback

PACKAGING INFORMATION

| Orderable Device | Status ⁽¹⁾ | Package Type | Package Drawing | Pins | Package Qty | Eco Plan ⁽²⁾ | Lead/Ball Finish | MSL Peak Temp ⁽³⁾ |
|------------------|-----------------------|--------------|-----------------|------|-------------|-------------------------|------------------|------------------------------|
| UC2901MDREP | ACTIVE | SOIC | D | 14 | 2500 | Green (RoHS & no Sb/Br) | CU NIPDAU | Level-1-260C-UNLIM |
| UC2901MDREPG4 | ACTIVE | SOIC | D | 14 | 2500 | Green (RoHS & no Sb/Br) | CU NIPDAU | Level-1-260C-UNLIM |
| V62/07609-01XE | ACTIVE | SOIC | D | 14 | 2500 | Green (RoHS & no Sb/Br) | CU NIPDAU | Level-1-260C-UNLIM |

⁽¹⁾ The marketing status values are defined as follows:

ACTIVE: Product device recommended for new designs.

LIFEBUY: TI has announced that the device will be discontinued, and a lifetime-buy period is in effect.

NRND: Not recommended for new designs. Device is in production to support existing customers, but TI does not recommend using this part in a new design.

PREVIEW: Device has been announced but is not in production. Samples may or may not be available.

OBSELETE: TI has discontinued the production of the device.

⁽²⁾ Eco Plan - The planned eco-friendly classification: Pb-Free (RoHS), Pb-Free (RoHS Exempt), or Green (RoHS & no Sb/Br) - please check <http://www.ti.com/productcontent> for the latest availability information and additional product content details.

TBD: The Pb-Free/Green conversion plan has not been defined.

Pb-Free (RoHS): TI's terms "Lead-Free" or "Pb-Free" mean semiconductor products that are compatible with the current RoHS requirements for all 6 substances, including the requirement that lead not exceed 0.1% by weight in homogeneous materials. Where designed to be soldered at high temperatures, TI Pb-Free products are suitable for use in specified lead-free processes.

Pb-Free (RoHS Exempt): This component has a RoHS exemption for either 1) lead-based flip-chip solder bumps used between the die and package, or 2) lead-based die adhesive used between the die and leadframe. The component is otherwise considered Pb-Free (RoHS compatible) as defined above.

Green (RoHS & no Sb/Br): TI defines "Green" to mean Pb-Free (RoHS compatible), and free of Bromine (Br) and Antimony (Sb) based flame retardants (Br or Sb do not exceed 0.1% by weight in homogeneous material)

⁽³⁾ MSL, Peak Temp. -- The Moisture Sensitivity Level rating according to the JEDEC industry standard classifications, and peak solder temperature.

Important Information and Disclaimer:The information provided on this page represents TI's knowledge and belief as of the date that it is provided. TI bases its knowledge and belief on information provided by third parties, and makes no representation or warranty as to the accuracy of such information. Efforts are underway to better integrate information from third parties. TI has taken and continues to take reasonable steps to provide representative and accurate information but may not have conducted destructive testing or chemical analysis on incoming materials and chemicals. TI and TI suppliers consider certain information to be proprietary, and thus CAS numbers and other limited information may not be available for release.

In no event shall TI's liability arising out of such information exceed the total purchase price of the TI part(s) at issue in this document sold by TI to Customer on an annual basis.

OTHER QUALIFIED VERSIONS OF UC2901-EP :

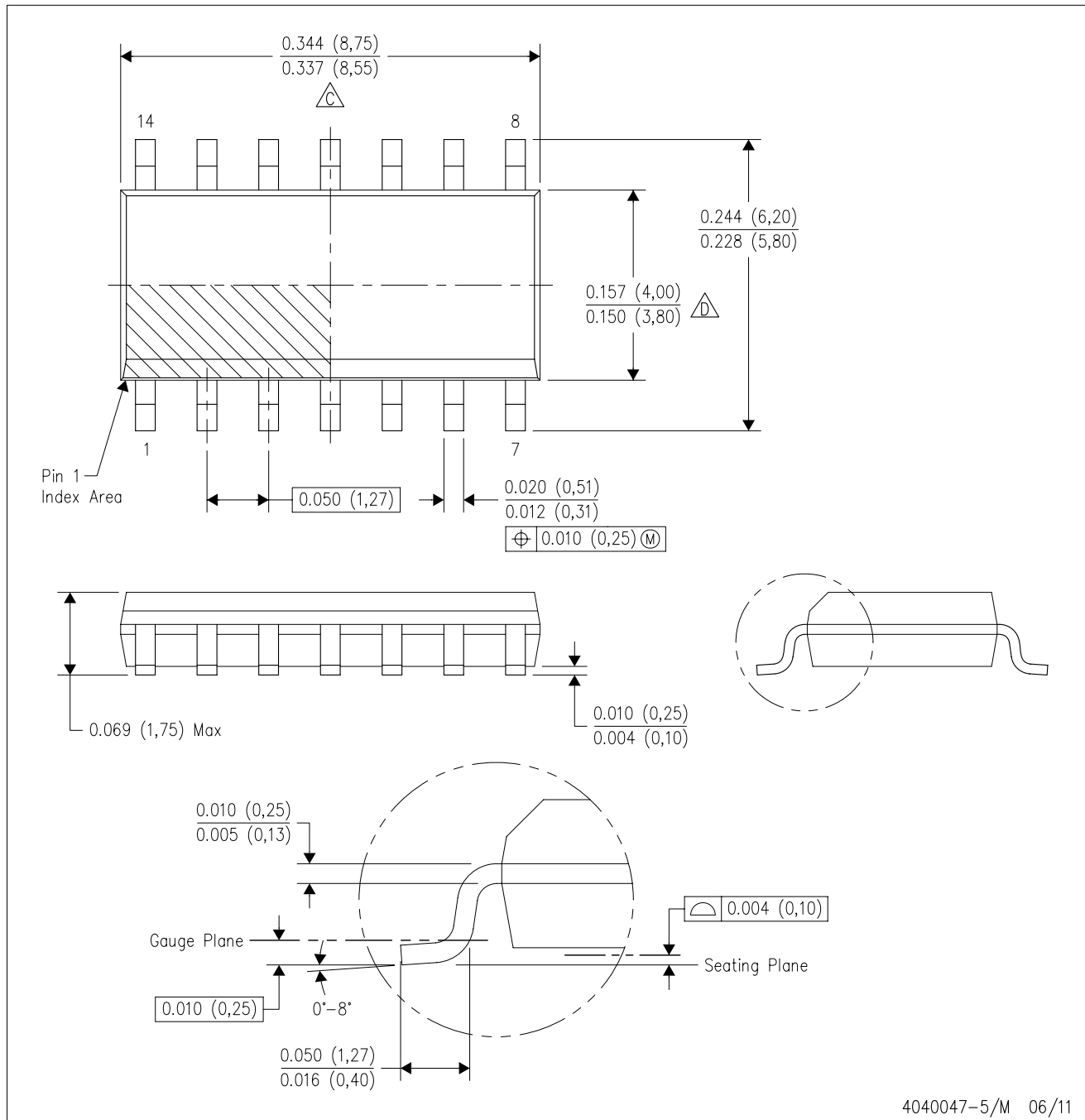
- Catalog: [UC2901](#)

NOTE: Qualified Version Definitions:

- Catalog - TI's standard catalog product

D (R-PDSO-G14)

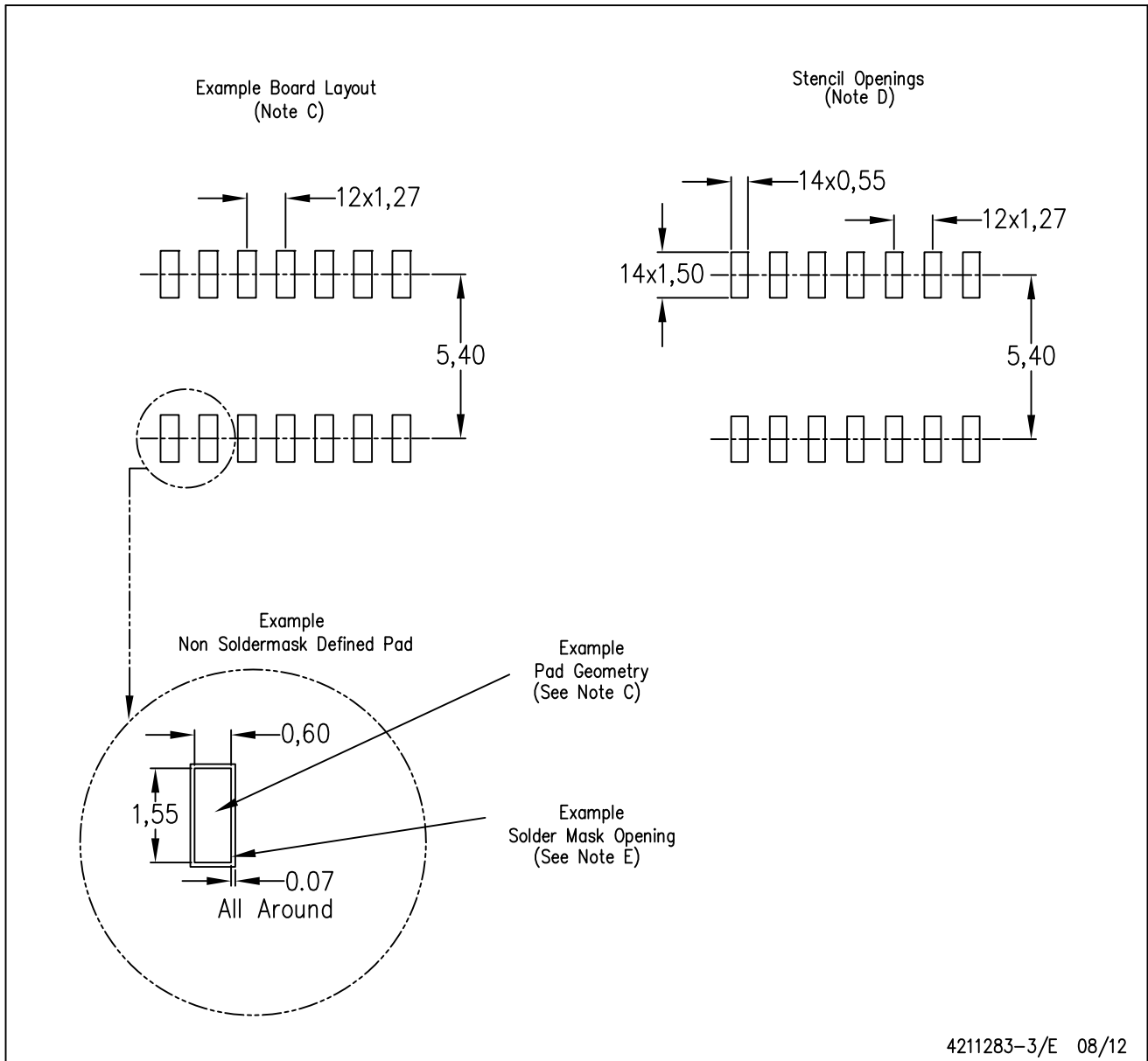
PLASTIC SMALL OUTLINE



- NOTES:
- A. All linear dimensions are in inches (millimeters).
 - B. This drawing is subject to change without notice.
 - $\triangle C$ Body length does not include mold flash, protrusions, or gate burrs. Mold flash, protrusions, or gate burrs shall not exceed 0.006 (0,15) each side.
 - $\triangle D$ Body width does not include interlead flash. Interlead flash shall not exceed 0.017 (0,43) each side.
 - E. Reference JEDEC MS-012 variation AB.

D (R-PDSO-G14)

PLASTIC SMALL OUTLINE



- NOTES:
- A. All linear dimensions are in millimeters.
 - B. This drawing is subject to change without notice.
 - C. Publication IPC-7351 is recommended for alternate designs.
 - D. Laser cutting apertures with trapezoidal walls and also rounding corners will offer better paste release. Customers should contact their board assembly site for stencil design recommendations. Refer to IPC-7525 for other stencil recommendations.
 - E. Customers should contact their board fabrication site for solder mask tolerances between and around signal pads.

IMPORTANT NOTICE

Texas Instruments Incorporated and its subsidiaries (TI) reserve the right to make corrections, enhancements, improvements and other changes to its semiconductor products and services per JESD46, latest issue, and to discontinue any product or service per JESD48, latest issue. Buyers should obtain the latest relevant information before placing orders and should verify that such information is current and complete. All semiconductor products (also referred to herein as "components") are sold subject to TI's terms and conditions of sale supplied at the time of order acknowledgment.

TI warrants performance of its components to the specifications applicable at the time of sale, in accordance with the warranty in TI's terms and conditions of sale of semiconductor products. Testing and other quality control techniques are used to the extent TI deems necessary to support this warranty. Except where mandated by applicable law, testing of all parameters of each component is not necessarily performed.

TI assumes no liability for applications assistance or the design of Buyers' products. Buyers are responsible for their products and applications using TI components. To minimize the risks associated with Buyers' products and applications, Buyers should provide adequate design and operating safeguards.

TI does not warrant or represent that any license, either express or implied, is granted under any patent right, copyright, mask work right, or other intellectual property right relating to any combination, machine, or process in which TI components or services are used. Information published by TI regarding third-party products or services does not constitute a license to use such products or services or a warranty or endorsement thereof. Use of such information may require a license from a third party under the patents or other intellectual property of the third party, or a license from TI under the patents or other intellectual property of TI.

Reproduction of significant portions of TI information in TI data books or data sheets is permissible only if reproduction is without alteration and is accompanied by all associated warranties, conditions, limitations, and notices. TI is not responsible or liable for such altered documentation. Information of third parties may be subject to additional restrictions.

Resale of TI components or services with statements different from or beyond the parameters stated by TI for that component or service voids all express and any implied warranties for the associated TI component or service and is an unfair and deceptive business practice. TI is not responsible or liable for any such statements.

Buyer acknowledges and agrees that it is solely responsible for compliance with all legal, regulatory and safety-related requirements concerning its products, and any use of TI components in its applications, notwithstanding any applications-related information or support that may be provided by TI. Buyer represents and agrees that it has all the necessary expertise to create and implement safeguards which anticipate dangerous consequences of failures, monitor failures and their consequences, lessen the likelihood of failures that might cause harm and take appropriate remedial actions. Buyer will fully indemnify TI and its representatives against any damages arising out of the use of any TI components in safety-critical applications.

In some cases, TI components may be promoted specifically to facilitate safety-related applications. With such components, TI's goal is to help enable customers to design and create their own end-product solutions that meet applicable functional safety standards and requirements. Nonetheless, such components are subject to these terms.

No TI components are authorized for use in FDA Class III (or similar life-critical medical equipment) unless authorized officers of the parties have executed a special agreement specifically governing such use.

Only those TI components which TI has specifically designated as military grade or "enhanced plastic" are designed and intended for use in military/aerospace applications or environments. Buyer acknowledges and agrees that any military or aerospace use of TI components which have **not** been so designated is solely at the Buyer's risk, and that Buyer is solely responsible for compliance with all legal and regulatory requirements in connection with such use.

TI has specifically designated certain components as meeting ISO/TS16949 requirements, mainly for automotive use. In any case of use of non-designated products, TI will not be responsible for any failure to meet ISO/TS16949.

Products

| | |
|------------------------------|--|
| Audio | www.ti.com/audio |
| Amplifiers | amplifier.ti.com |
| Data Converters | dataconverter.ti.com |
| DLP® Products | www.dlp.com |
| DSP | dsp.ti.com |
| Clocks and Timers | www.ti.com/clocks |
| Interface | interface.ti.com |
| Logic | logic.ti.com |
| Power Mgmt | power.ti.com |
| Microcontrollers | microcontroller.ti.com |
| RFID | www.ti-rfid.com |
| OMAP Applications Processors | www.ti.com/omap |
| Wireless Connectivity | www.ti.com/wirelessconnectivity |

Applications

| | |
|-------------------------------|--|
| Automotive and Transportation | www.ti.com/automotive |
| Communications and Telecom | www.ti.com/communications |
| Computers and Peripherals | www.ti.com/computers |
| Consumer Electronics | www.ti.com/consumer-apps |
| Energy and Lighting | www.ti.com/energy |
| Industrial | www.ti.com/industrial |
| Medical | www.ti.com/medical |
| Security | www.ti.com/security |
| Space, Avionics and Defense | www.ti.com/space-avionics-defense |
| Video and Imaging | www.ti.com/video |

TI E2E Community

e2e.ti.com

AMEYA360

Components Supply Platform

Authorized Distribution Brand :



Website :

Welcome to visit www.ameya360.com

Contact Us :

➤ Address :

401 Building No.5, JiuGe Business Center, Lane 2301, Yishan Rd
Minhang District, Shanghai , China

➤ Sales :

Direct +86 (21) 6401-6692

Email amall@ameya360.com

QQ 800077892

Skype [ameyasales1](#) [ameyasales2](#)

➤ Customer Service :

Email service@ameya360.com

➤ Partnership :

Tel +86 (21) 64016692-8333

Email mkt@ameya360.com