

Titanium-3 Lenses for Dragon LEDs



TITANUM-3 S



TITANUM-3 M



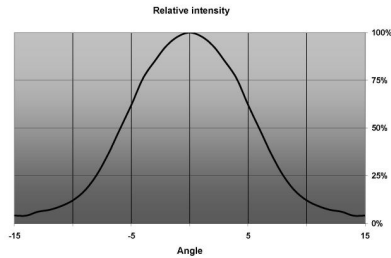
- Use with Osram Dragon series of white and monochromate LEDs
- Lens material optical grade PMMA with high UV and temperature resistance (105°C/220°F)
- High optical efficiency, >85%
- Diameter 50 mm (MR16)
- Use of sub lens gives a smooth, pleasant beam pattern
- Mechanical CAD models available upon request

LENS TYPES

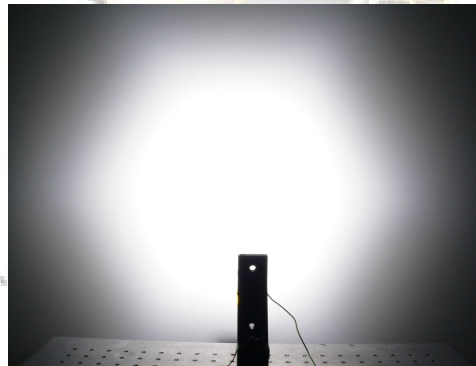
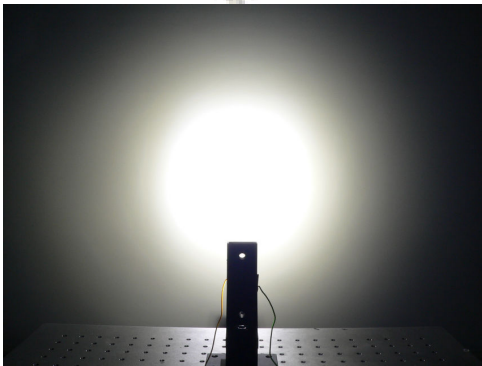
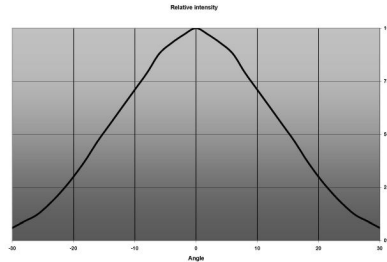
NAME	ORDERING CODE	FWHM Angle
Titanium-3 spot	C10268_Titanum-3-SS	±7°
Titanium-3 medium	CA10368_Titanum-3-M	±15°

MEASUREMENT DATA & PHOTOGRAPHS

TITANUM-3-S

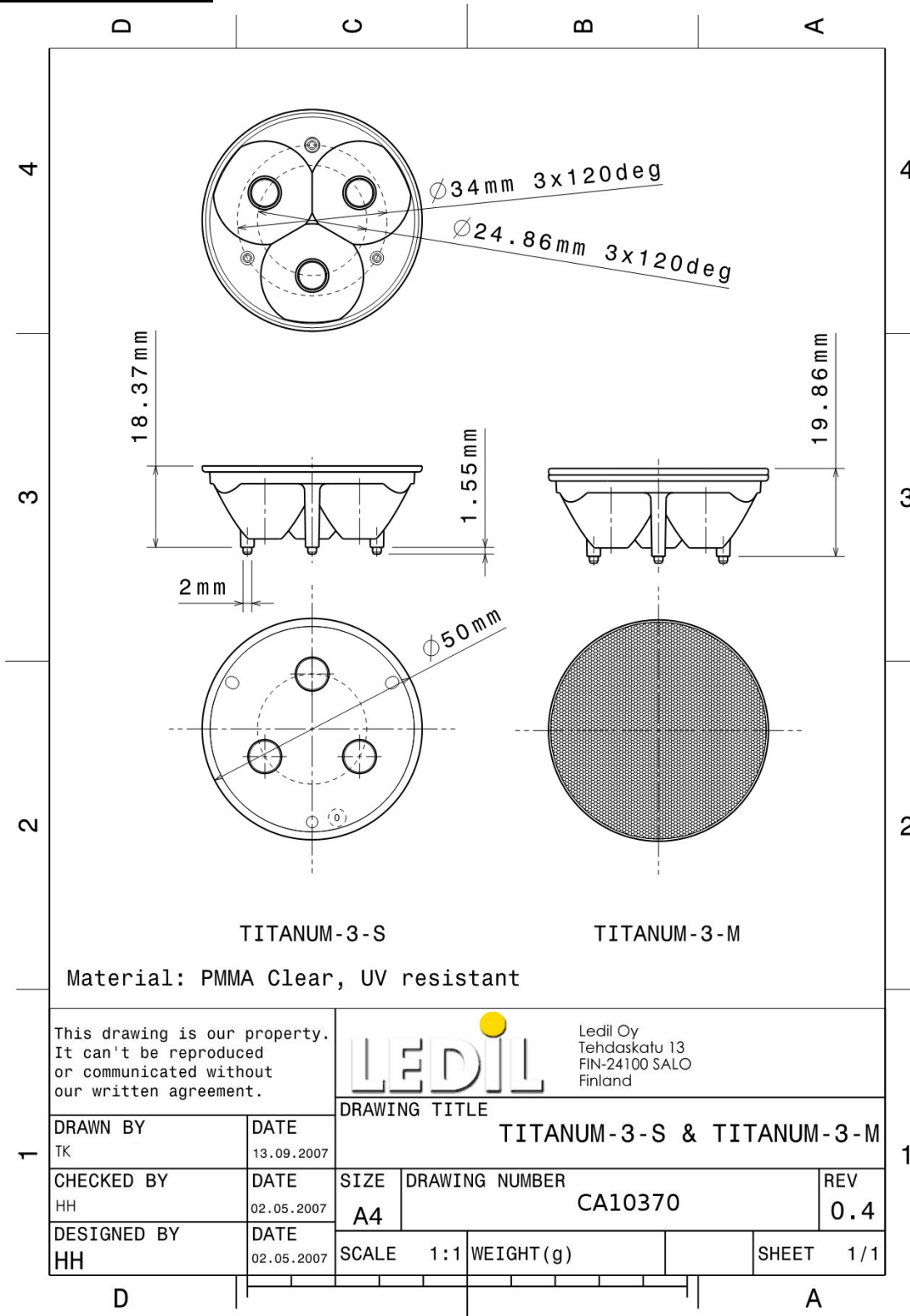


TITANUM-3-M

**PACKAGING**

Lenses are packed on plastic trays in carton boxes of 364 pieces in each box.

DRAWINGS



© Ledil Oy – PRELIMINARY - Subject to change without prior notice

AMEYA360

Components Supply Platform

Authorized Distribution Brand :



Website :

Welcome to visit www.ameya360.com

Contact Us :

➤ Address :

401 Building No.5, JiuGe Business Center, Lane 2301, Yishan Rd
Minhang District, Shanghai , China

➤ Sales :

Direct +86 (21) 6401-6692

Email amall@ameya360.com

QQ 800077892

Skype [ameyasales1](#) [ameyasales2](#)

➤ Customer Service :

Email service@ameya360.com

➤ Partnership :

Tel +86 (21) 64016692-8333

Email mkt@ameya360.com