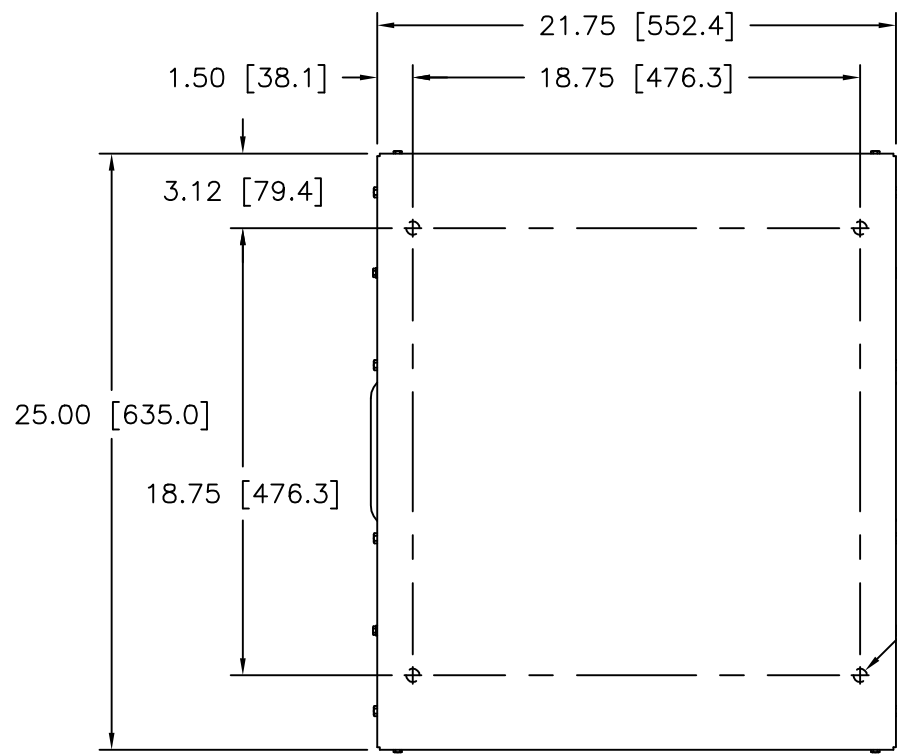
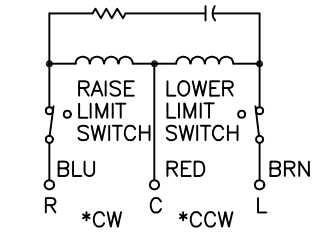
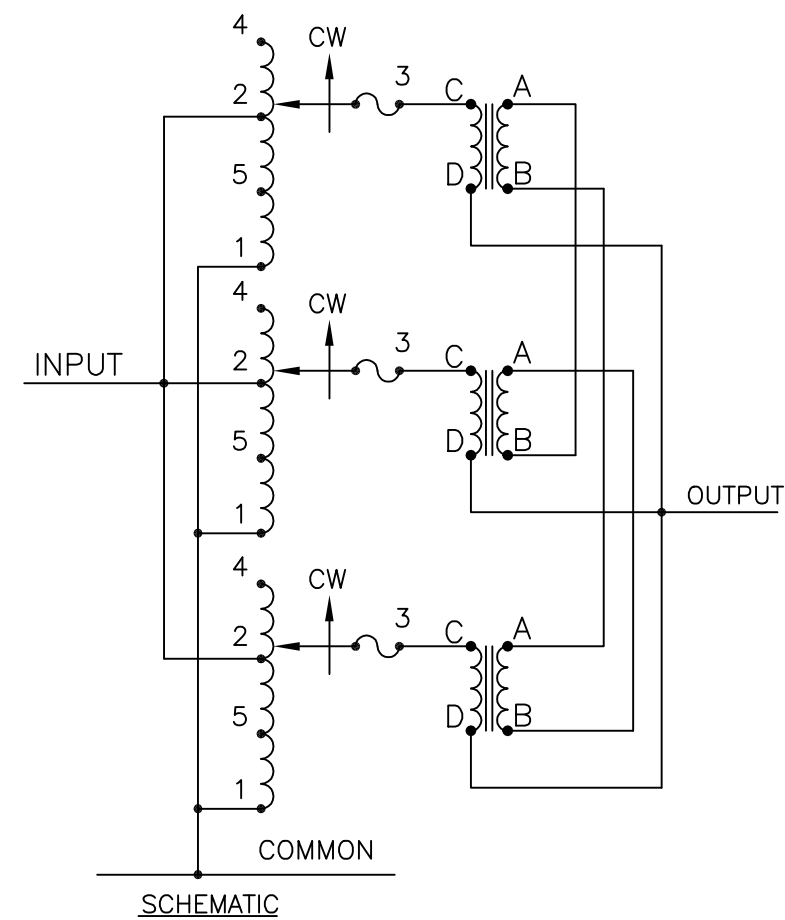


DWG. NO.	032-7685		
REVISIONS			
SYL.	E.C.N.	DATE	APD.
A	23074	2/7/96	
REVISE SCHEMATIC			
B	23337	3/6/97	
REVISED & UPDATED			



.56 [14.3] DIA. HOLE
4 PLACES ON BOTTOM
FLANGES FOR CUSTOMER
MOUNTING



MOTOR CIRCUIT
120V, 50/60 HZ
* ROTATION AS VIEWED
FROM TOP END
MOTOR SPEEDS: SEE CHART

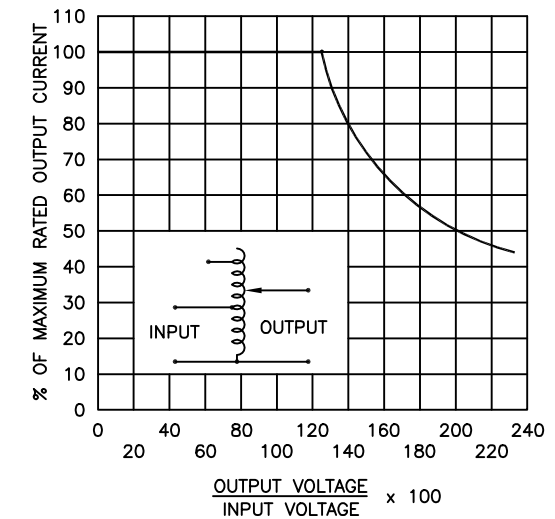


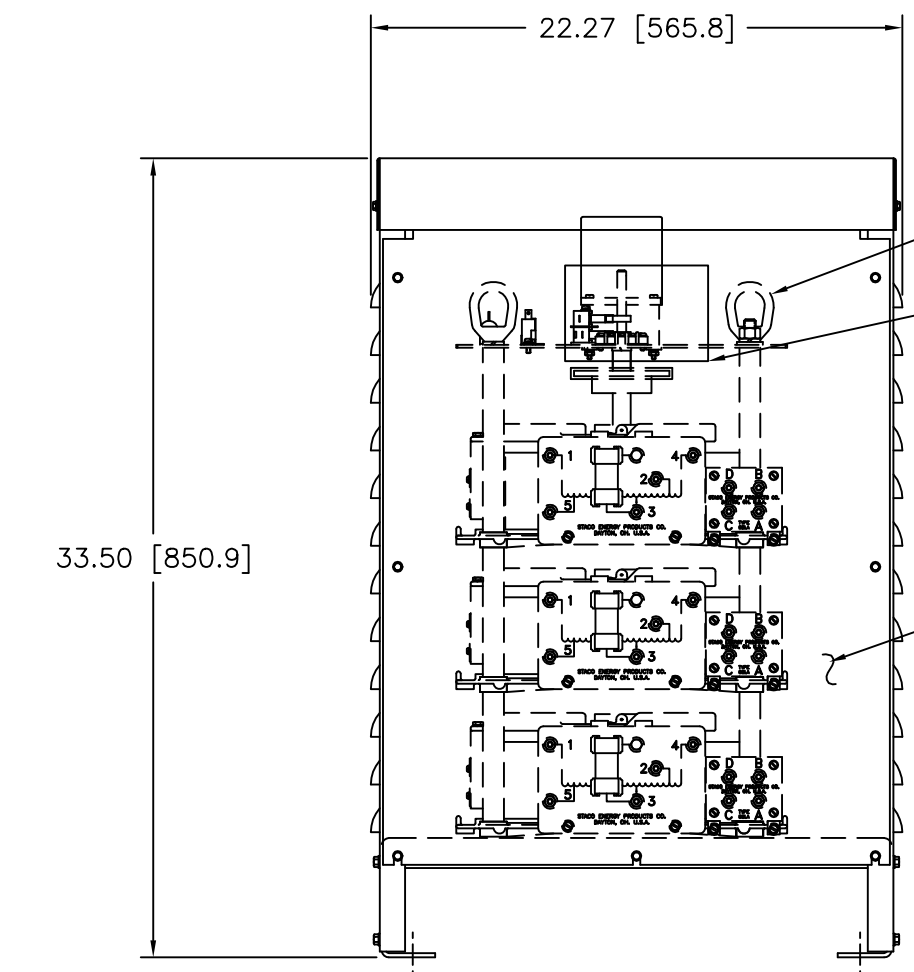
FIGURE A
MAXIMUM OUTPUT CURRENT OF ANY
DUAL INPUT VOLTAGE OR VOLTAGE DOUBLER
UNIT OPERATED AT LOWER INPUT VOLTAGE.

* MAXIMUM OUTPUT CURRENT IN OUTPUT VOLTAGE RANGE FROM 0 TO 25 PERCENT ABOVE LINE VOLTAGE. AT HIGHER OUTPUT VOLTAGES, OUTPUT CURRENT MUST BE REDUCED ACCORDING TO RATING CURVE (SEE FIGURE A).

++ MAXIMUM KVA AT MAXIMUM OUTPUT AND CORRESPONDING DE-RATED CURRENT. MAXIMUM KVA AT LOWER OUTPUT VOLTAGES MAY BE CALCULATED FROM RATING CURVE, (SEE FIGURE A).

V.D. = VOLTAGE DOUBLER.

SPEED (SECONDS)	MODEL NUMBER
5	5M6020E-3P
15	15M6020E-3P
30	30M6020E-3P
60	60M6020E-3P

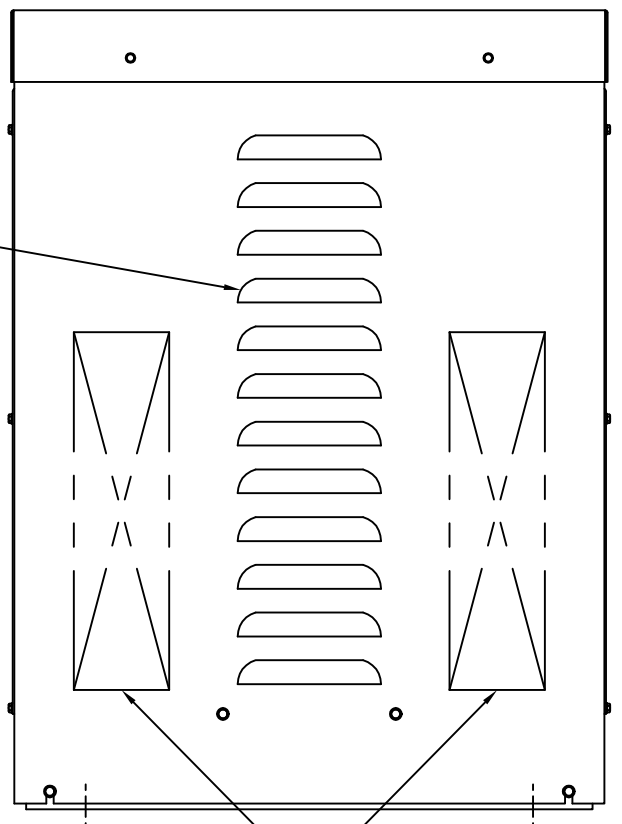


2 EYENUTS
FOR CONVEYING

NAMEPLATE

LOUVER VENTS
BOTH SIDES

ACCESS PANEL TO
FUSES & TERMINALS



RECOMMENDED AREAS
FOR CONDUIT

WIRING	INPUT		OUTPUT			SHAFT ROTATION FOR VOLTAGE INCREASE	TERMINAL CONNECTIONS FOR INCREASING VOLTAGE AS VIEWED FROM TOP	
	VOLTS	HERTZ	VOLTS	CONSTANT CURRENT LOAD			INPUT	OUTPUT
				MAX. AMPS	MAX. KVA			
SINGLE PHASE PARALLEL	240	50/60	0-240	105	25.2	CW	1-4	1-D
			0-280	105	29.4	CW	1-2	1-D
	120	50/60	0-280	105-45 V.D.	12.6 ++	CW	1-5	1-D

UNLESS OTHERWISE SPECIFIED, TOLERANCE IS * DECIMALS Holes .12 DRAFT 1-1/2" UNITS IN [mm] TITLE: SPECIFICATION CONTROL DRAWING MOTORIZED VARIABLE TRANSFORMER M6020E-3P

MATERIAL: ALL DIMENSIONS APPLY AFTER PLATING

DATE: 3/17/95 FIRST USED ON: M6020E-3Y DO NOT SCALE DWG. CUSTOMER APPROVAL: DATE:

DRAWN BY: A.ARAGON CHECKER: ENGINEER: DATE: SCALE: .25=1 SHEET 1 OF 1

STACO ENERGY PRODUCTS CO. DAYTON, OHIO U.S.A.

DWG. NO. 032-7685

Authorized Distribution Brand :



Website :

Welcome to visit www.ameya360.com

Contact Us :

➤ Address :

401 Building No.5, JiuGe Business Center, Lane 2301, Yishan Rd
Minhang District, Shanghai , China

➤ Sales :

Direct +86 (21) 6401-6692

Email amall@ameya360.com

QQ 800077892

Skype ameyasales1 ameyasales2

➤ Customer Service :

Email service@ameya360.com

➤ Partnership :

Tel +86 (21) 64016692-8333

Email mkt@ameya360.com