

Evaluation Board for CS4340A and CS4341A

Features

- Demonstrates recommended layout and grounding arrangements
- CS8414 Receives AES/EBU, S/PDIF, & EIAJ-340 Compatible Digital Audio
- Digital and Analog Patch Areas
- Requires only a digital signal source and power supplies for a complete Digital-to-Analog-Converter system

Description

The CDB4340A/41A evaluation board is an excellent means for quickly evaluating the CS4340A/41A family of 24-bit, stereo D/A converters. Evaluation requires an analog signal analyzer, a digital signal source, a PC for controlling the CS4341A and a power supply. Analog outputs are provided via RCA phono jacks for both channels.

The CS8414 digital audio receiver I.C. provides the system timing necessary to operate the Digital-to-Analog converters and will accept AES/EBU, S/PDIF, and EIAJ-340 compatible audio data. The evaluation board may also be configured to accept external timing signals for operation in a user application during system development.

ORDERING INFORMATION

CDB4340A, CDB4341A

Evaluation Board

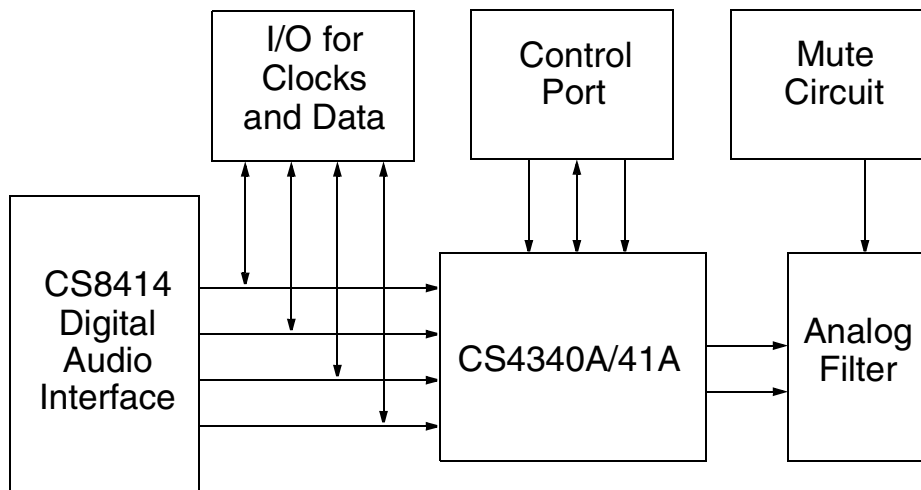


TABLE OF CONTENTS

1. CDB4340A/41A SYSTEM OVERVIEW	4
2. CDB4340A/41A ERRATA	4
3. CS4340A/41A DIGITAL TO ANALOG CONVERTER	4
4. CS8414 DIGITAL AUDIO RECEIVER	4
5. CS8414 DATA FORMAT	4
6. ANALOG OUTPUT FILTER	5
7. INPUT/OUTPUT FOR CLOCKS AND DATA	5
8. POWER SUPPLY CIRCUITRY	5
9. GROUNDING AND POWER SUPPLY DECOUPLING	5
10. CDB4341A CONTROL PORT SOFTWARE	5

LIST OF FIGURES

Figure 1. System Block Diagram and Signal Flow	9
Figure 2. CS4340A/41A	10
Figure 3. Analog Output Passive Filter	11
Figure 4. External Mute Circuit	12
Figure 5. CS8414 Digital Audio Receiver Connections	13
Figure 6. Digital Audio Inputs	14
Figure 7. MCLK Divider and Voltage Level Converter	15
Figure 8. Control Port Interface	16
Figure 9. Reset Circuitry	17
Figure 10. Power Supply	18
Figure 11. I/O for Clocks and Data	19
Figure 12. Silkscreen Top	20
Figure 13. Top Side	21
Figure 14. Bottom Side	22

Contacting Cirrus Logic Support

For a complete listing of Direct Sales, Distributor, and Sales Representative contacts, visit the Cirrus Logic web site at:
<http://www.cirrus.com/corporate/contacts/sales.cfm>

IMPORTANT NOTICE

"Preliminary" product information describes products that are in production, but for which full characterization data is not yet available. "Advance" product information describes products that are in development and subject to development changes. Cirrus Logic, Inc. and its subsidiaries ("Cirrus") believe that the information contained in this document is accurate and reliable. However, the information is subject to change without notice and is provided "AS IS" without warranty of any kind (express or implied). Customers are advised to obtain the latest version of relevant information to verify, before placing orders, that information being relied on is current and complete. All products are sold subject to the terms and conditions of sale supplied at the time of order acknowledgment, including those pertaining to warranty, patent infringement, and limitation of liability. No responsibility is assumed by Cirrus for the use of this information, including use of this information as the basis for manufacture or sale of any items, or for infringement of patents or other rights of third parties. This document is the property of Cirrus and by furnishing this information, Cirrus grants no license, express or implied under any patents, mask work rights, copyrights, trademarks, trade secrets or other intellectual property rights. Cirrus owns the copyrights of the information contained herein and gives consent for copies to be made of the information only for use within your organization with respect to Cirrus integrated circuits or other parts of Cirrus. This consent does not extend to other copying such as copying for general distribution, advertising or promotional purposes, or for creating any work for resale.

An export permit needs to be obtained from the competent authorities of the Japanese Government if any of the products or technologies described in this material and controlled under the "Foreign Exchange and Foreign Trade Law" is to be exported or taken out of Japan. An export license and/or quota needs to be obtained from the competent authorities of the Chinese Government if any of the products or technologies described in this material is subject to the PRC Foreign Trade Law and is to be exported or taken out of the PRC.

CERTAIN APPLICATIONS USING SEMICONDUCTOR PRODUCTS MAY INVOLVE POTENTIAL RISKS OF DEATH, PERSONAL INJURY, OR SEVERE PROPERTY OR ENVIRONMENTAL DAMAGE ("CRITICAL APPLICATIONS"). CIRRUS PRODUCTS ARE NOT DESIGNED, AUTHORIZED, OR WARRANTED TO BE SUITABLE FOR USE IN LIFE-SUPPORT DEVICES OR SYSTEMS OR OTHER CRITICAL APPLICATIONS. INCLUSION OF CIRRUS PRODUCTS IN SUCH APPLICATIONS IS UNDERSTOOD TO BE FULLY AT THE CUSTOMER'S RISK.

Cirrus Logic, Cirrus, and the Cirrus Logic logo designs are trademarks of Cirrus Logic, Inc. All other brand and product names in this document may be trademarks or service marks of their respective owners.

LIST OF TABLES

Table 1. CS8414 Supported Formats	4
Table 2. System Connections	6
Table 3. CDB4340A Jumper Selectable Options	6
Table 4. CDB4341A (I2C Mode) Jumper Selectable Options	7
Table 5. CDB4341A (SPI Mode) Jumper Selectable Options	8

1. CDB4340A/41A SYSTEM OVERVIEW

The CDB4340A/41A evaluation board is an excellent means of quickly evaluating the CS4340A/41A. The CS8414 digital audio interface receiver provides an easy interface to digital audio signal sources including the majority of digital audio test equipment. The evaluation board also allows the user to supply clocks and data through a 10-pin header for system development.

The CDB4340A/41A schematic has been partitioned into 10 schematics shown in Figures 2 through 11. Each partitioned schematic is represented in the system diagram shown in Figure 1. Notice that the system diagram also includes the interconnections between the partitioned schematics.

2. CDB4340A/41A ERRATA

The CS4340A is mounted on the same PCB used to evaluate the CS4340. Please see tables 3 to 5 for jumper settings that are not applicable to the CDB4340A/41A. These jumpers should retain the default setting from the factory. Also, all SDATA net names for the CS4340A shall be interpreted as SDIN, as seen in the pin description of the CS4340A datasheet.

3. CS4340A/41A DIGITAL TO ANALOG CONVERTER

A description of the CS4340A is included in the CS4340A data sheet. A description of the CS4341A is included in the CS4341A data sheet.

4. CS8414 DIGITAL AUDIO RECEIVER

The system receives and decodes the standard S/PDIF data format using a CS8414 Digital Audio Receiver, Figure 5. The outputs of the CS8414 include a serial bit clock, serial data, left-right clock (FSYNC), and a 256 Fs master clock. The operation of the CS8414 and a discussion of the digital

audio interface are included in the CS8414 Datasheet.

During normal operation, the CS8414 operates in the Channel Status mode where the LED's display channel status information for the channel selected by the CSLR/FCK jumper.

When the Error & Frequency button is enabled, the CS8414 operates in the Error and Frequency information mode. The information displayed by the LED's can be decoded by consulting the CS8414 data sheet.

Encoded sample frequency information can be displayed provided a proper clock is being applied to the FCK pin of the CS8414. When an LED is lit, this indicates a "1" on the corresponding pin located on the CS8414. When an LED is off, this indicates a "0" on the corresponding pin. Neither the L or R option of CSLR/FCK should be selected if the FCK pin is being driven by a clock signal.

5. CS8414 DATA FORMAT

The CS8414 data format can be set with jumpers M0, M1, M2, and M3, as described the CS8414 datasheet. The format selected must be compatible with the data format of the CS4340A or CS4341A, shown in the CS4340A and CS4341A datasheets. Please note that the CS8414 does not support all the possible modes of the CS4340A or CS4341A, see Table 1 for details. The default settings for M0-M3 on the evaluation board are given in Tables 3-5.

CS4341A Format	CS4340A Format	CS8414 Format	External SCLK	Internal SCLK
0	-	2	Yes	Yes
1	0	2	Yes	No
2	1	0	No	Yes
3	2	Unsupported	-	-
4	-	Unsupported	-	-
5	3	5	Yes	No
6	-	6	Yes	Yes
7	0	2	Yes	No

Table 1. CS8414 Supported Formats

6. ANALOG OUTPUT FILTER

The evaluation board includes a pair of single pole passive filters. The passive filters, Fig. 3, have a corner frequency of approximately 95 kHz with JP3 and JP6 installed and 190 kHz without JP3 and JP6.

7. INPUT/OUTPUT FOR CLOCKS AND DATA

The evaluation board has been designed to allow the interface to external systems via the 10-pin header, J9. This header allows the evaluation board to accept externally generated clocks and data. The schematic for the clock/data I/O is shown in Figure 11. The 74HC243 transceiver functions as an I/O buffer where jumpers HDR1-HDR6 determine if the transceiver operates as a transmitter or receiver. A transmit function is implemented with the HDR1-HDR6 jumpers in the 8414 position. LRCK, SDATA, and SCLK from the CS8414 will be outputs on J9. The transceiver operates as a receiver with jumpers HDR1-HDR6 in the EXTERNAL position. MCLK, LRCK, SDATA and SCLK on J9 become inputs.

8. POWER SUPPLY CIRCUITRY

Power is supplied to the evaluation board by three binding posts (GND, +5V, +3V/+5V) (see Figure 10). The +5V input supplies power to the +5 Volt digital circuitry (VA+5, VD+5, VDPC+5), while the +3V/+5V input supplies power to the

Voltage Level Converter and the CS4340A/41A for evaluation in either +3 or +5 Volt mode.

9. GROUNDING AND POWER SUPPLY DECOUPLING

The CS4340A/41A requires careful attention to power supply and grounding arrangements to optimize performance. Figure 10 details the power distribution used on this board. The CDB4340A/41A ground plane is split to control the digital return currents in order to minimize digital interference. The decoupling capacitors are located as close to the CS4340A/41A as possible. Extensive use of ground plane fill on both the analog and digital sections of the evaluation board yields large reductions in radiated noise.

10. CDB4341A CONTROL PORT SOFTWARE

The CDB4341A is shipped with Windows based software for interfacing with the CS4341A control port via the DB25 connector, P1. The software can be used to communicate with the CS4341A in either SPI or I²C mode; however, in SPI mode the CS4341A registers are write-only.

Run SETUP.EXE from the distribution diskette to install the software. Further documentation for the software is available on the distribution diskette. The documentation is available in the plain text format file, README.TXT.

CONNECTOR	INPUT/OUTPUT	SIGNAL PRESENT
+5 V	input	+ 5 Volt power
+3V/+5V	input	+ 3 Volt or + 5 Volt power for the CS4340A/41A and the Voltage Level Converter
GND	input	ground connection from power supply
Digital input	input	digital audio interface input via coax
Optical input	input	digital audio interface input via optical
J9	input/output	I/O for master, serial, left/right clocks and serial data
Parallel Port	input/output	parallel connection to PC for SPI/I ² C control port signals
Control I/O	input/output	I/O for SPI/I ² C control port signals
AOUTA	output	channel A analog output with single-pole passive filter
AOUTB	output	channel B analog output with single-pole passive filter

Table 2. System Connections

JUMPER	PURPOSE	POSITION	FUNCTION SELECTED
CSLR/FCK	Selects channel for CS8414 channel status information	HI *LO	See CS8414 Datasheet for details
M0 M1 M2 M3	CS8414 mode selection	*Low *High *Low *Low	See CS8414 Datasheet for details
SCLK	N/A	INT *EXT	N/A
DEM_8414	N/A	*8414 DEM	N/A
HDR1-6	Selects source of clocks and audio data	*8414 EXT	Selects CS8414 as source Digital I/O header becomes an source
HDR 7	Enables the external mute for AOUTA	*ON OFF	Mute Enabled Mute Disabled
HDR 8	Enables the external mute for AOUTB	*ON OFF	Mute Enabled Mute Disabled
MCLK	Selects Single-Speed or Double-Speed Modes	*x1 ÷2	Selects Single-Speed Mode Selects Double-Speed Mode
HDR15	DIF1	HI *LOW	See CS4340A Datasheet for details
HDR16	DIF0	HI *LOW	See CS4340A Datasheet for details
HDR17	DEM0	HI *LOW	See CS4340A Datasheet for details
ENCTRL	Enables/Disables parallel port	Enable *Disable	Invalid for CS4340A Disables parallel port

Table 3. CDB4340A Jumper Selectable Options

*Default setting from factory

JUMPER	PURPOSE	POSITION	FUNCTION SELECTED
CSLR/FCK	Selects channel for CS8414 channel status information	HI *LO	See CS8414 Datasheet for details
M0 M1 M2 M3	CS8414 mode selection	*Low *High *Low *Low	See CS8414 Datasheet for details
SCLK	N/A	INT *EXT	N/A
DEM_8414	N/A	*8414 DEM	“Don’t Care” for CS4341A
HDR1-6	Selects source of clocks and audio data	*8414 EXT	Selects CS8414 as source Digital I/O header becomes an source
HDR 7	Enables the external mute for AOUTA	*ON OFF	Mute Enabled Mute Disabled
HDR 8	Enables the external mute for AOUTB	*ON OFF	Mute Enabled Mute Disabled
MCLK	Selects Single-Speed or Double-Speed Modes	*x1 ÷2	Selects Single-Speed Mode Selects Double-Speed Mode
HDR15	SCL Pull-Up	*HI LOW	SCL pulled high Invalid for I ² C mode
HDR16	SDA Pull-Up	*HI LOW	SDA pulled high Invalid for I ² C mode
HDR17	AD0	HI *LOW	“Don’t Care” for Control Port Mode
ENCTRL	Enables/Disables parallel port	*Enable Disable	Enables parallel port Disables parallel port (must use HDR14)

Table 4. CDB4341A (I²C Mode) Jumper Selectable Options

*Default setting from factory

Notes: The CDB4341A evaluation board is shipped from the factory configured for I²C mode.

JUMPER	PURPOSE	POSITION	FUNCTION SELECTED
CSLR/FCK	Selects channel for CS8414 channel status information	HI *LO	See CS8414 Datasheet for details
M0 M1 M2 M3	CS8414 mode selection	*Low *High *Low *Low	See CS8414 Datasheet for details
SCLK	N/A	INT *EXT	N/A
DEM_8414	N/A	*8414 DEM	“Don’t Care” for CS4341A
HDR1-6	Selects source of clocks and audio data	*8414 EXT	Selects CS8414 as source Digital I/O header becomes an source
HDR 7	Enables the external mute for AOUTA	*ON OFF	Mute Enabled Mute Disabled
HDR 8	Enables the external mute for AOUTB	*ON OFF	Mute Enabled Mute Disabled
MCLK	Selects Single-Speed or Double-Speed Modes	*x1 ÷2	Selects Single-Speed Mode Selects Double-Speed Mode
HDR15	CCLK Pull-up or Pull-down	*HI LOW	“Don’t Care” for SPI mode
HDR16	CDIN Pull-up or Pull-down	*HI LOW	“Don’t Care” for SPI mode
HDR17	CS Pull-up	HI *LOW	“Don’t Care” for Control Port Mode
ENCTRL	Enables/Disables parallel port	*Enable Disable	Enables parallel port Disables parallel port (must use HDR14)

Table 5. CDB4341A (SPI Mode) Jumper Selectable Options

*Default setting from factory

Notes: When in SPI mode, it is not possible to read the control registers of the CS4341A. The CDB4341A evaluation board is shipped from the factory configured for I²C mode.

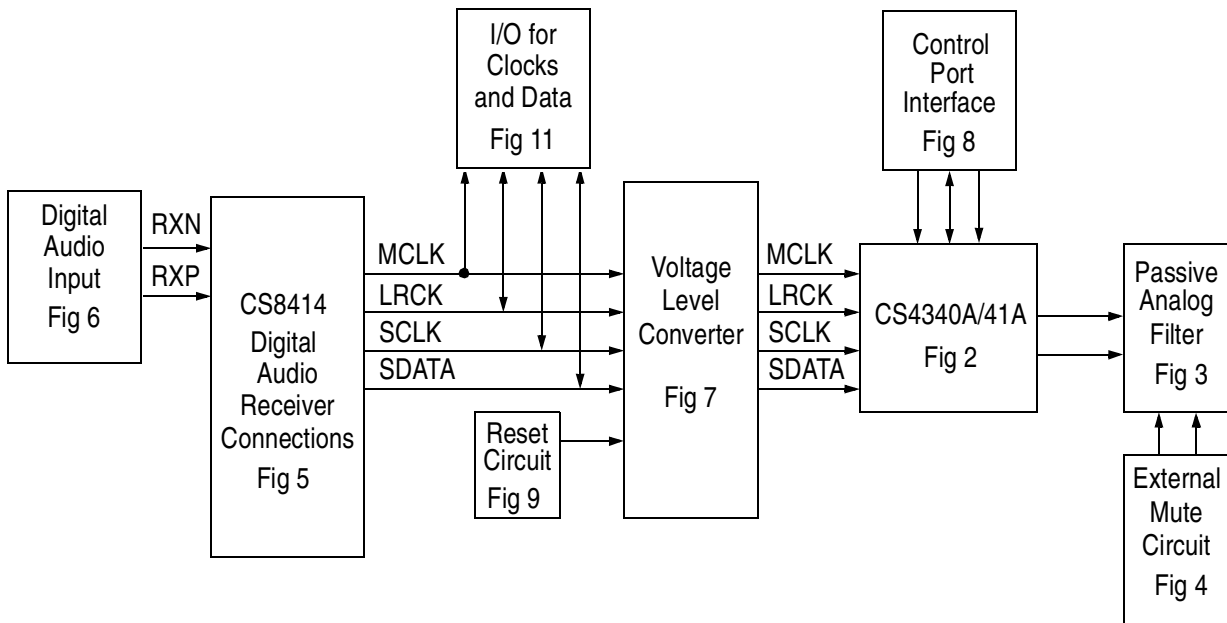
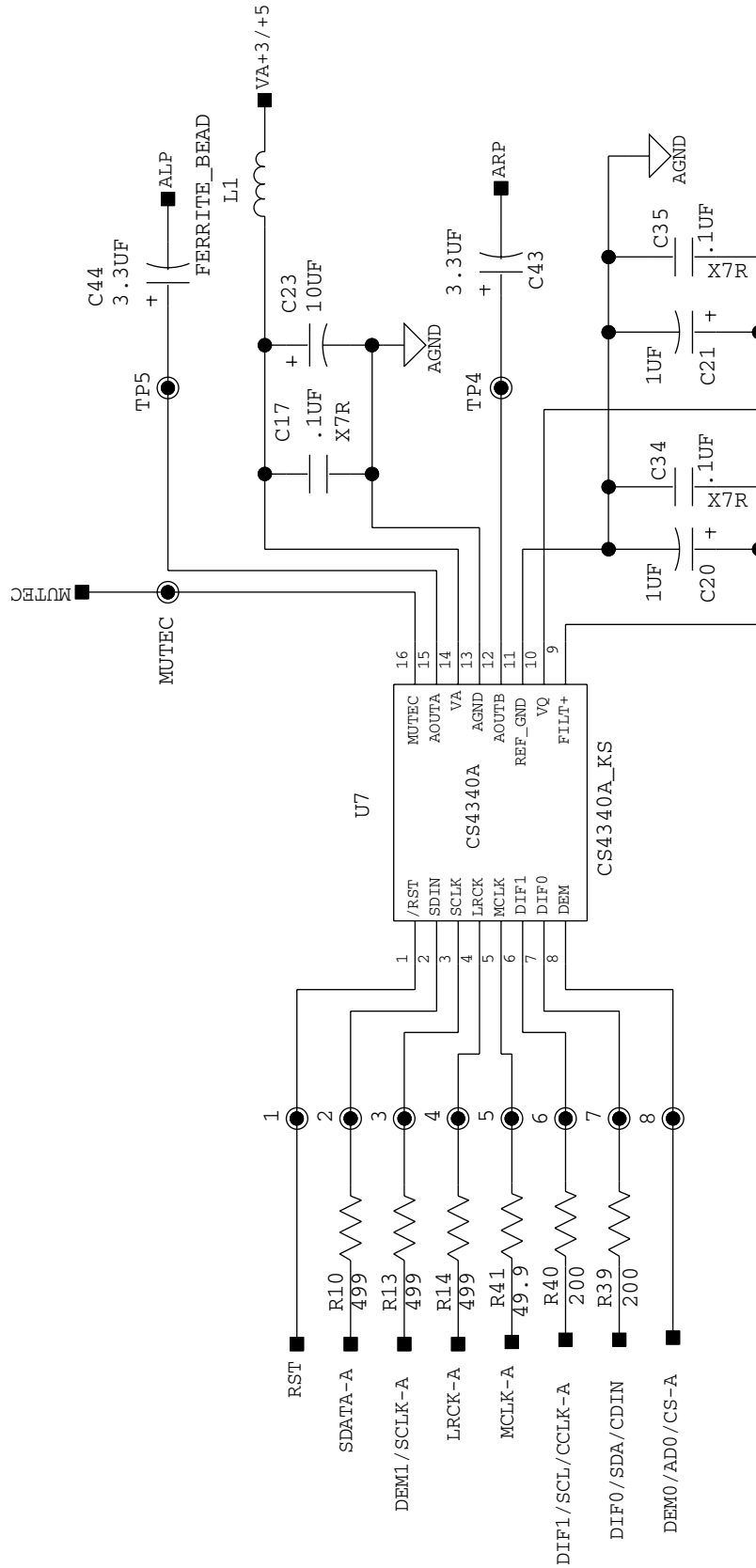
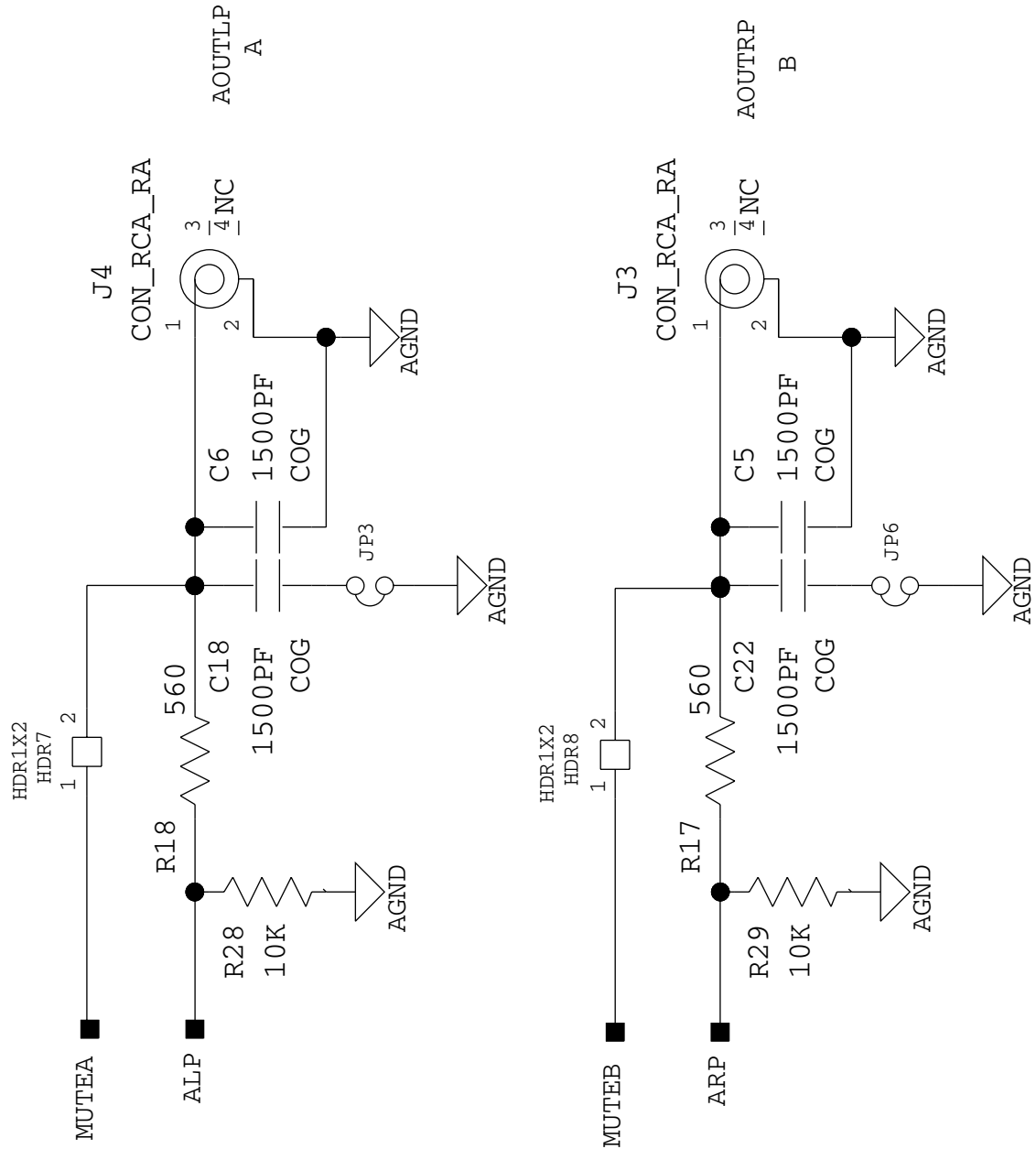


Figure 1. System Block Diagram and Signal Flow


Figure 2. CS4340A/41A


Figure 3. Analog Output Passive Filter

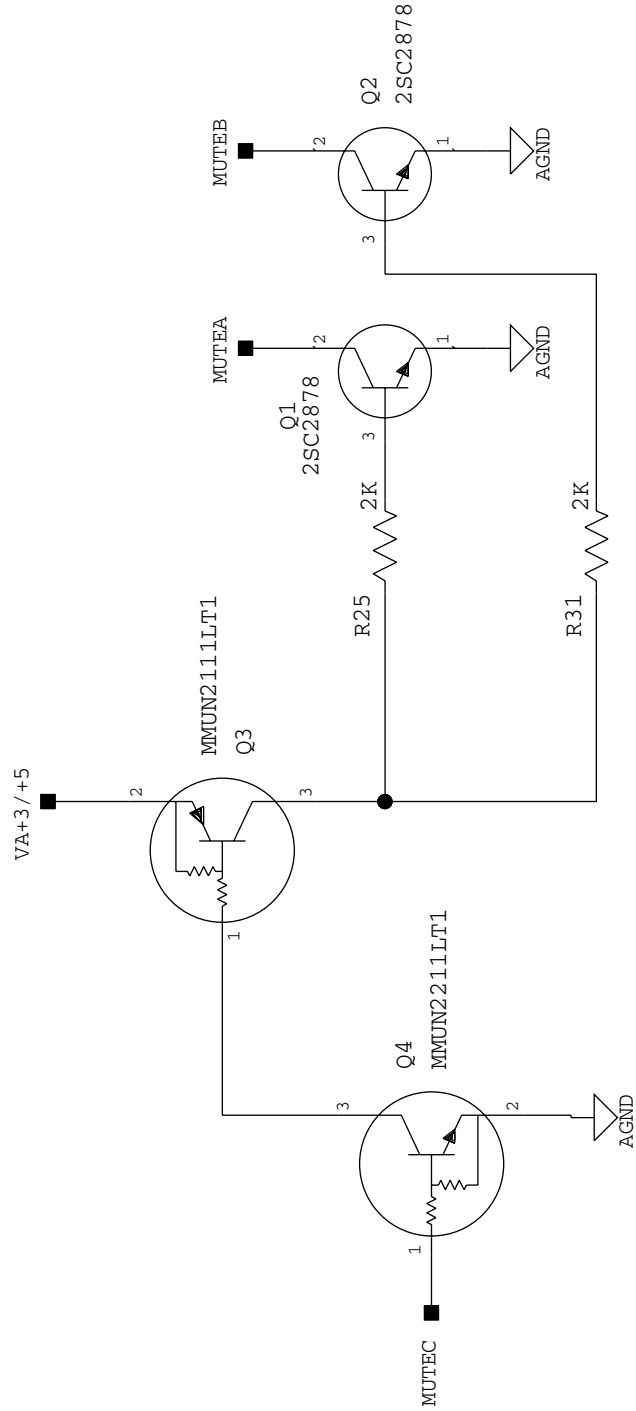


Figure 4. External Mute Circuit

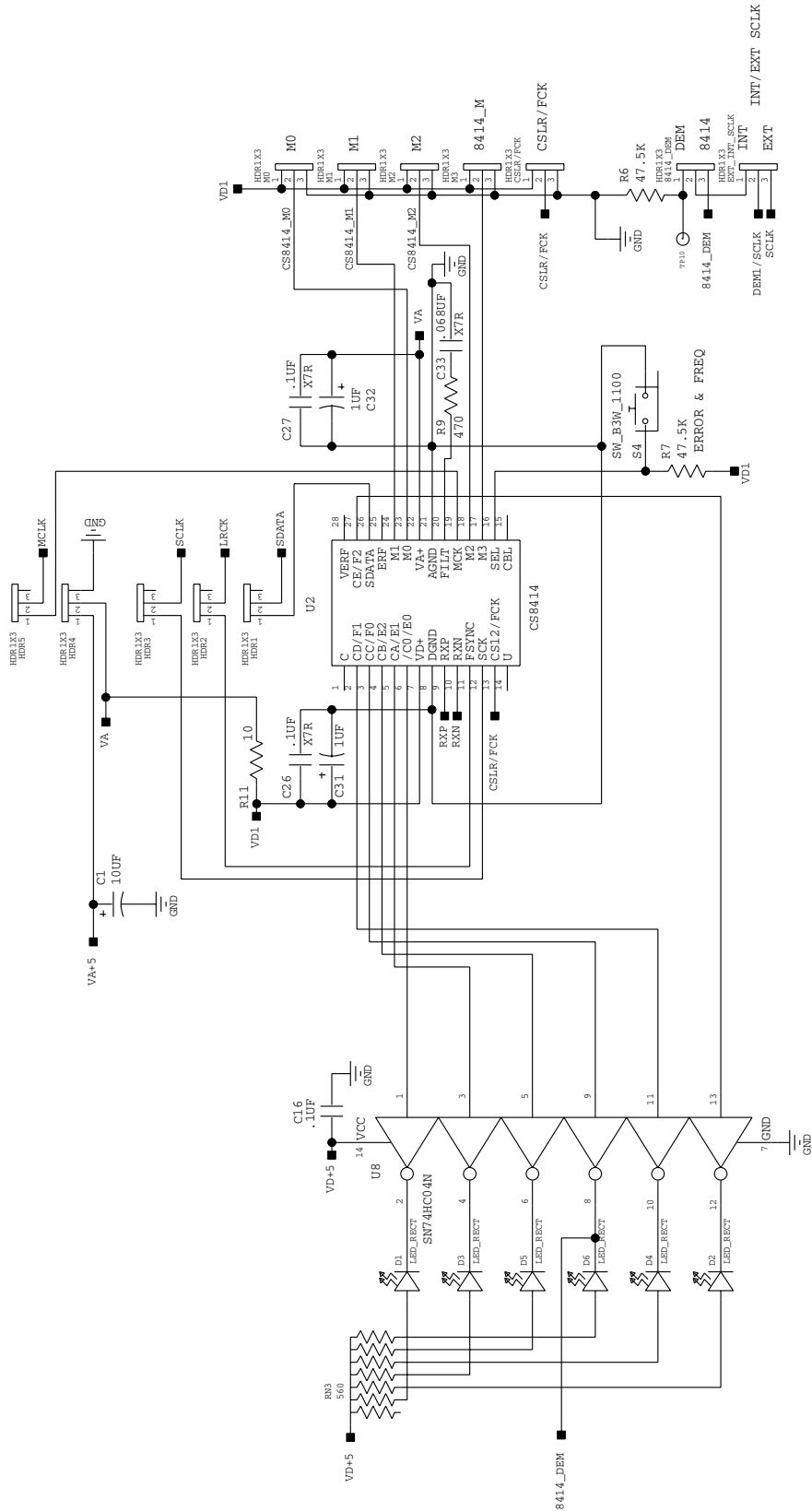


Figure 5. CS8414 Digital Audio Receiver Connections

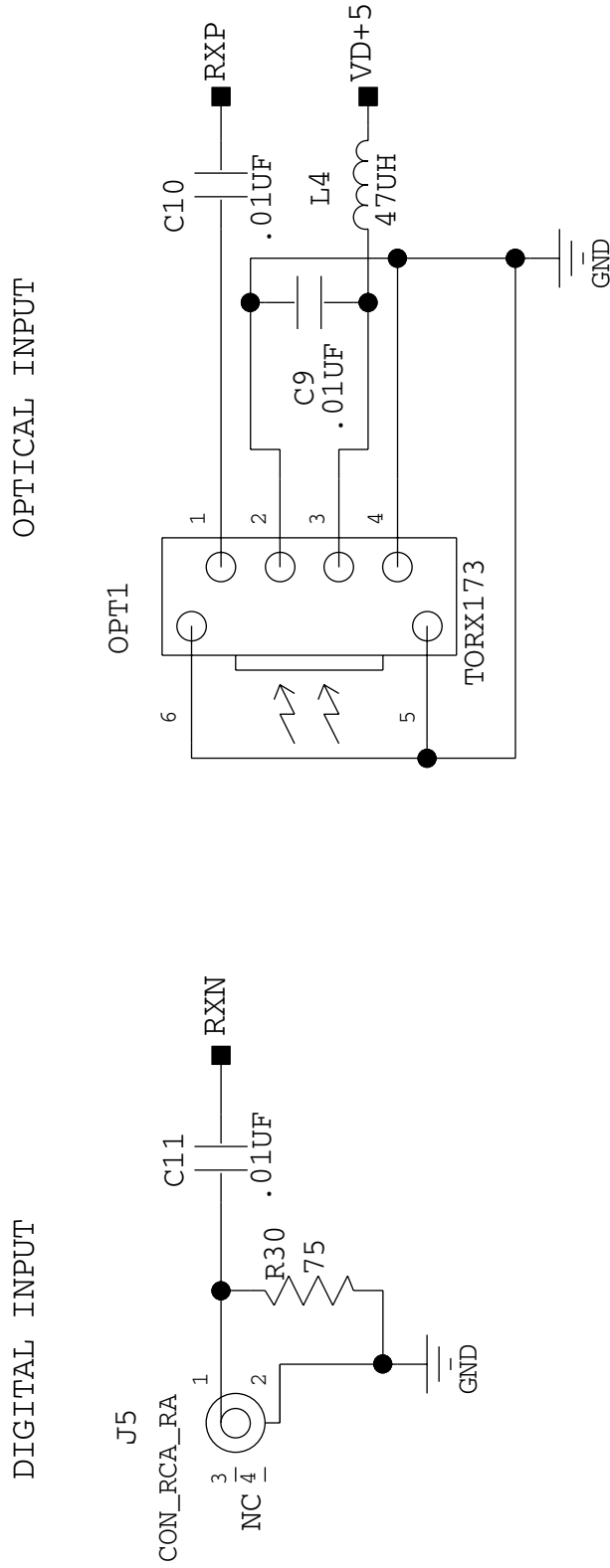


Figure 6. Digital Audio Inputs

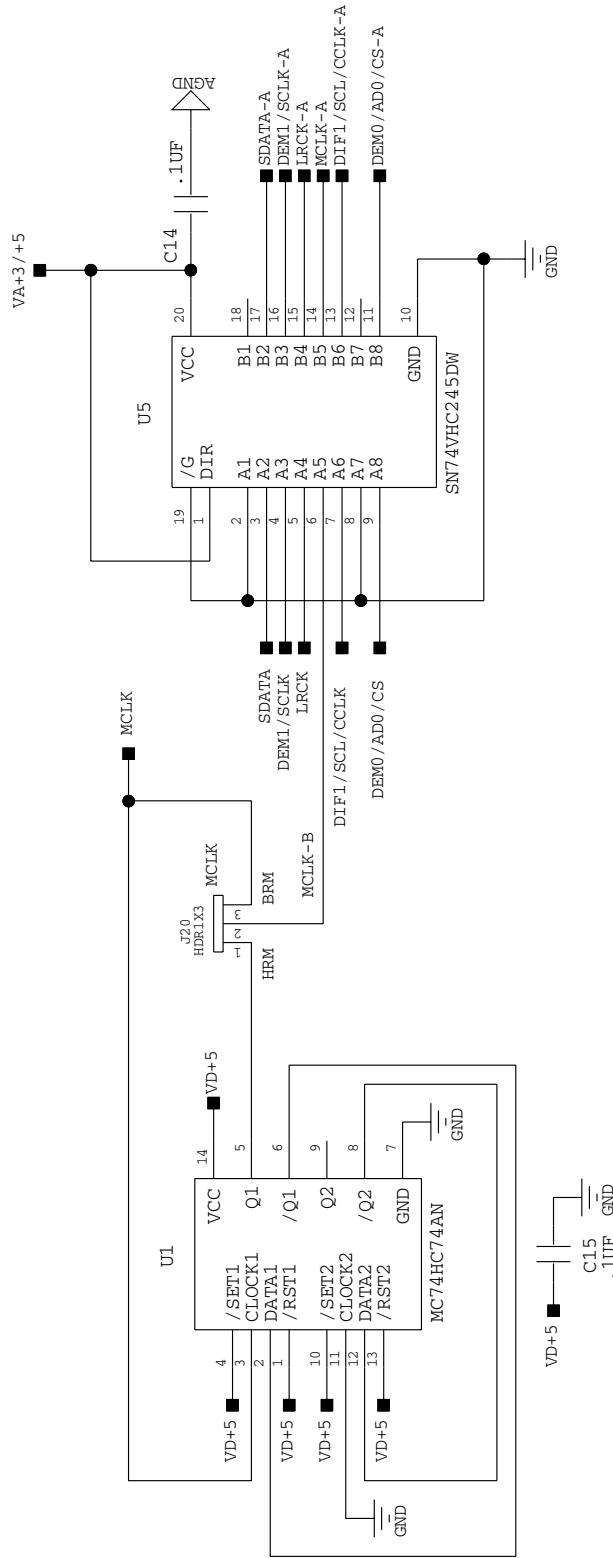


Figure 7. MCLK Divider and Voltage Level Converter

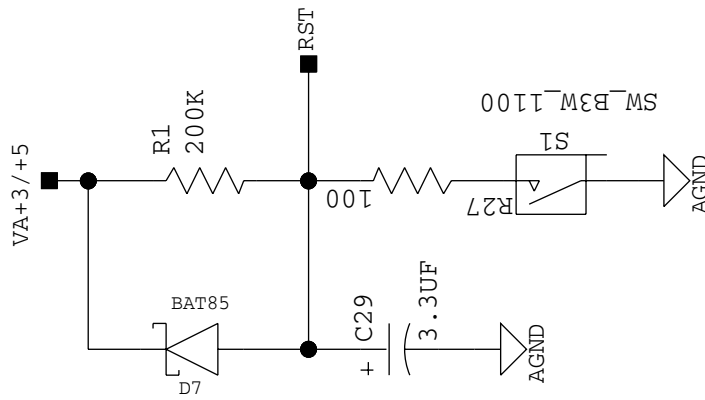


Figure 9. Reset Circuitry

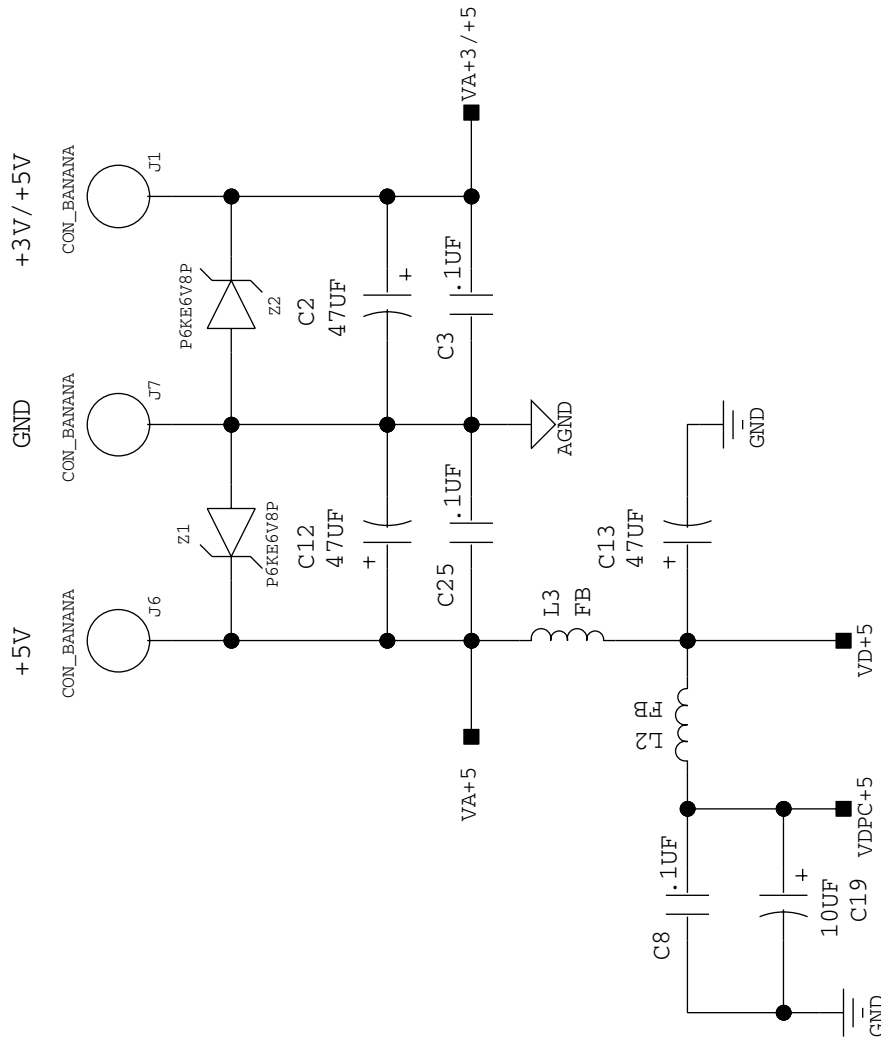


Figure 10. Power Supply

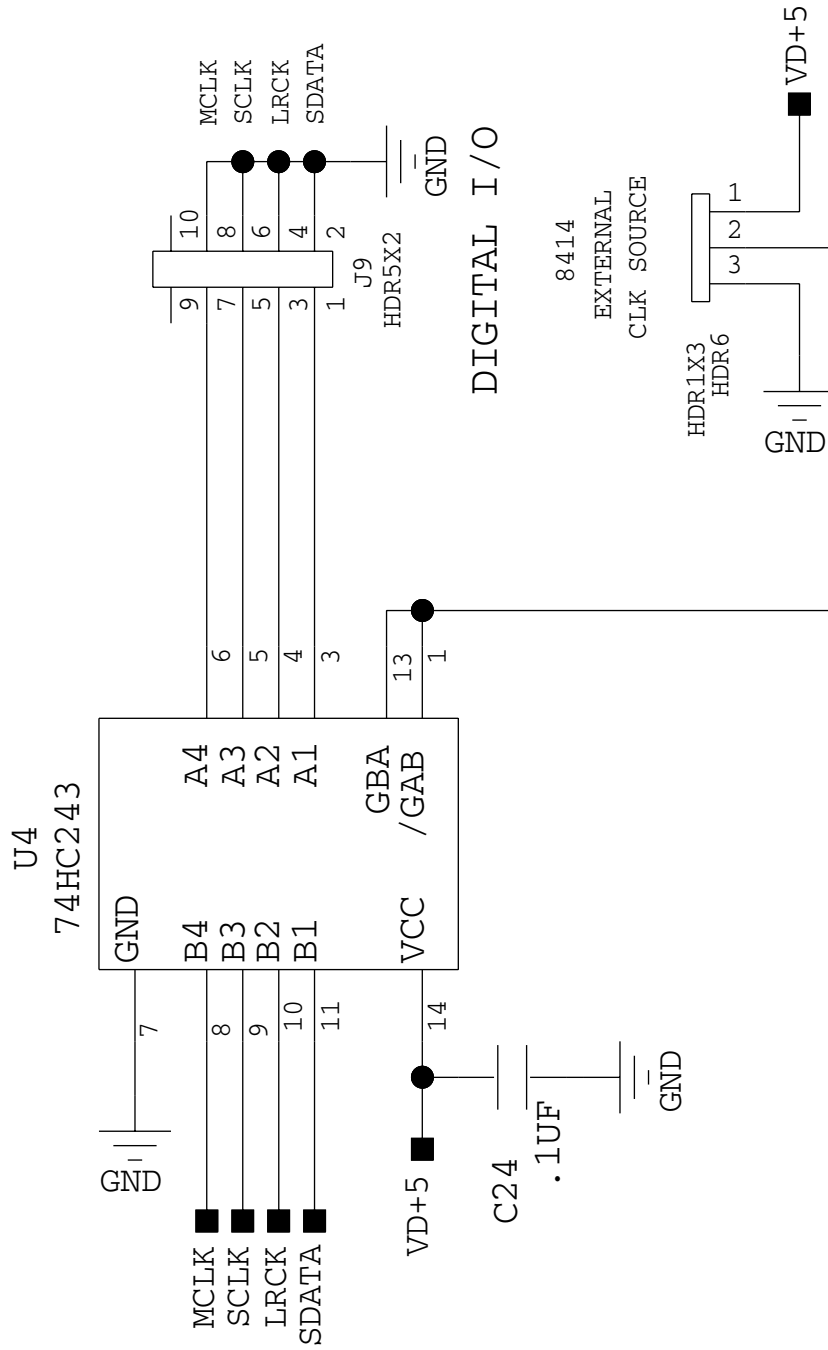
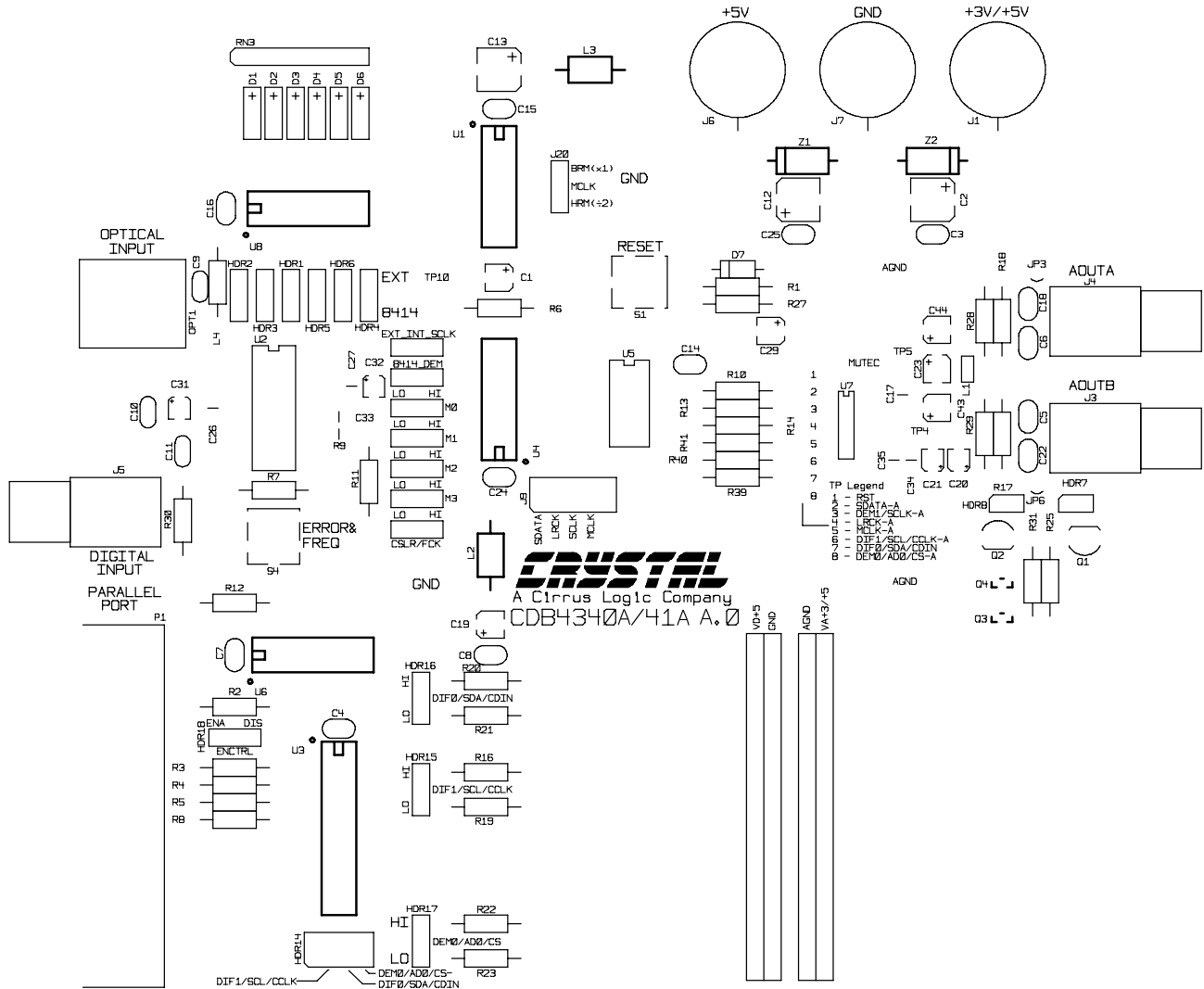


Figure 11. I/O for Clocks and Data

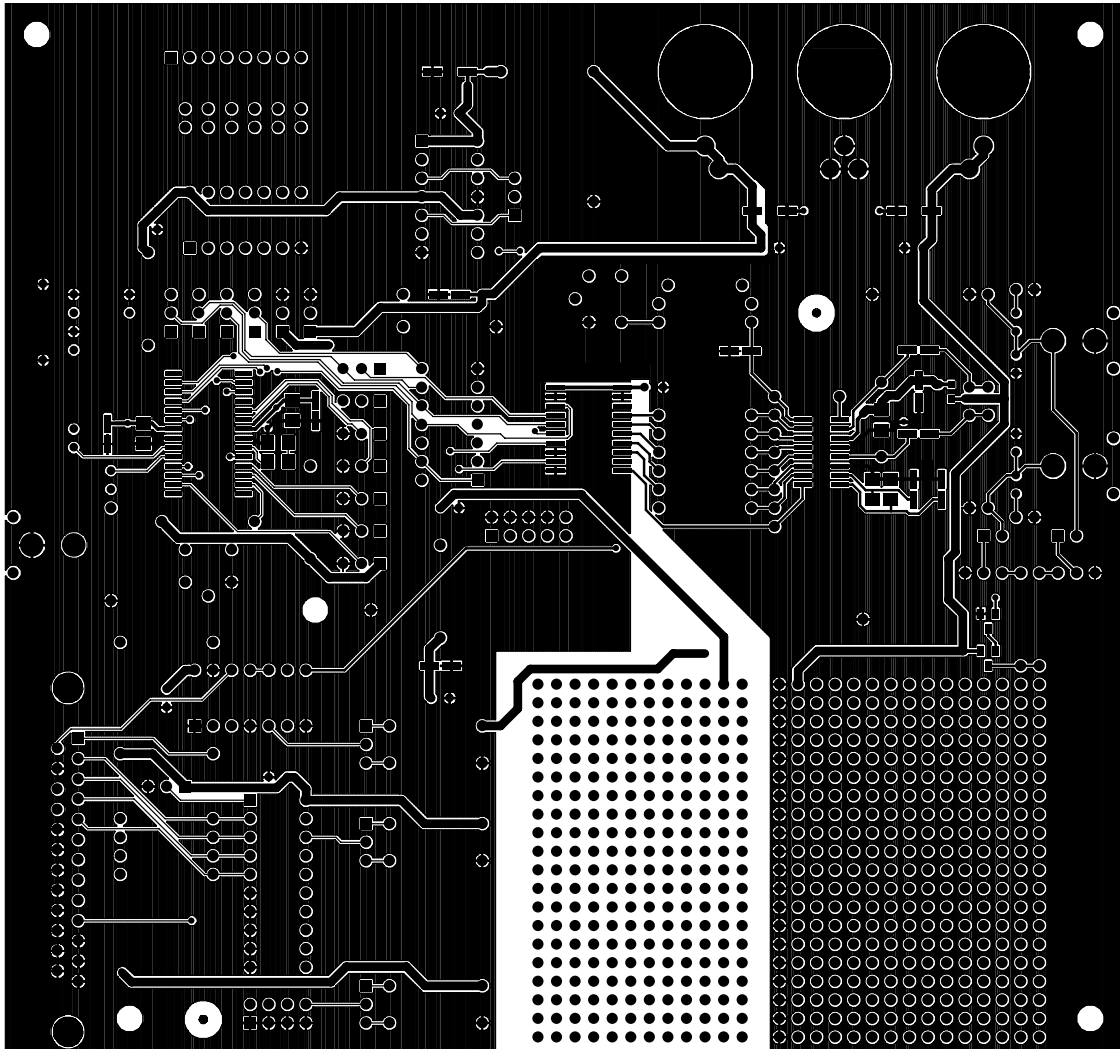
CRYSTAL SEMICONDUCTOR CS4340A CUSTOMER DEMO. BOARD CDB4340A A.0



SILKSCREEN - TOP

Figure 12. Silkscreen Top

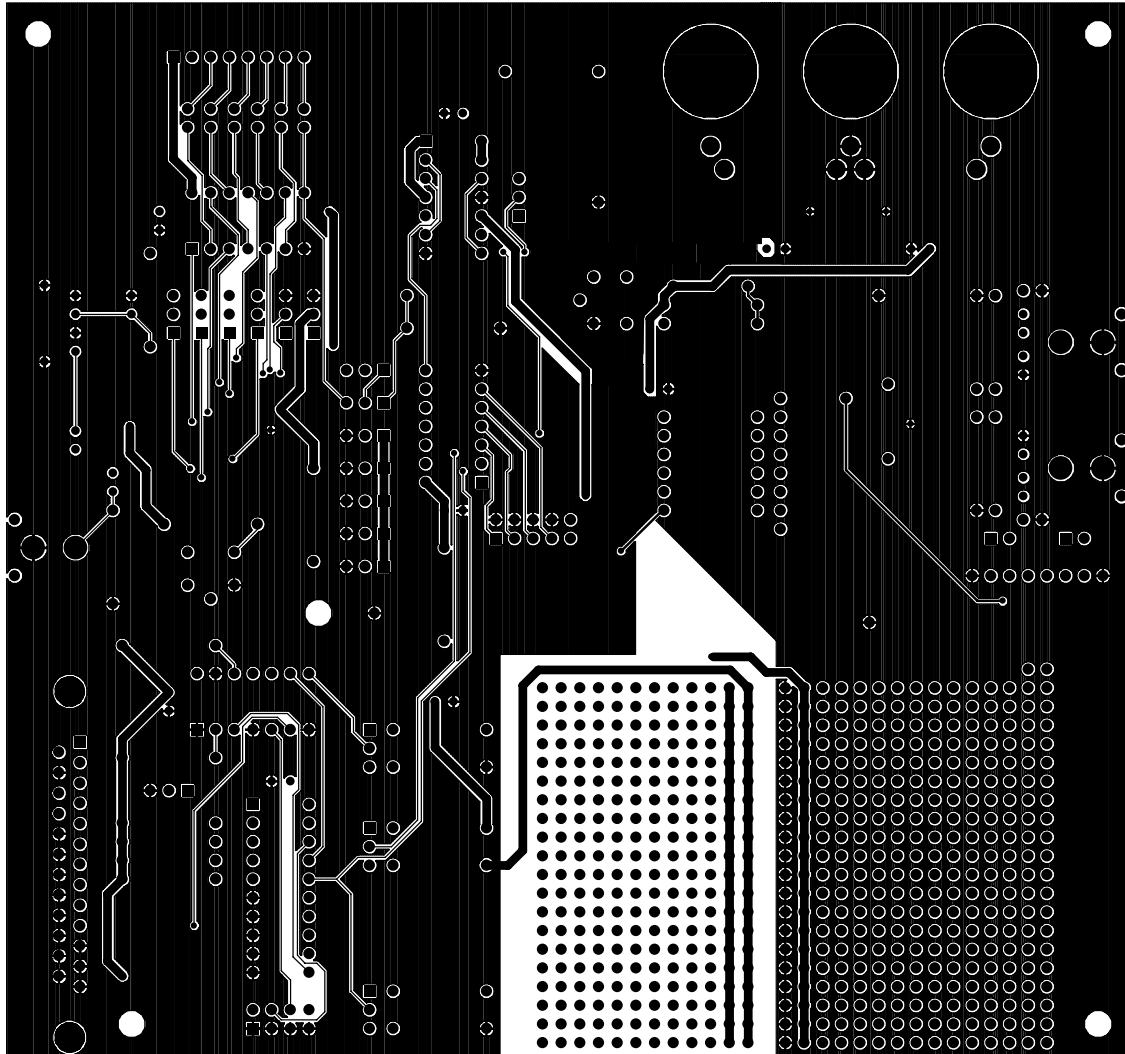
CRYSTAL SEMICONDUCTOR
CS4340A CUSTOMER DEMO. BOARD
CDB4340A A.0



TOP SIDE

Figure 13. Top Side

CRYSTAL SEMICONDUCTOR
CS4340A CUSTOMER DEMO. BOARD
CDB4340A A.0



BOTTOM SIDE

Figure 14. Bottom Side

• **Notes** •



CIRRUS LOGIC[®]

AMEYA360

Components Supply Platform

Authorized Distribution Brand :



Website :

Welcome to visit www.ameya360.com

Contact Us :

➤ Address :

401 Building No.5, JiuGe Business Center, Lane 2301, Yishan Rd
Minhang District, Shanghai , China

➤ Sales :

Direct +86 (21) 6401-6692

Email amall@ameya360.com

QQ 800077892

Skype [ameyasales1](#) [ameyasales2](#)

➤ Customer Service :

Email service@ameya360.com

➤ Partnership :

Tel +86 (21) 64016692-8333

Email mkt@ameya360.com