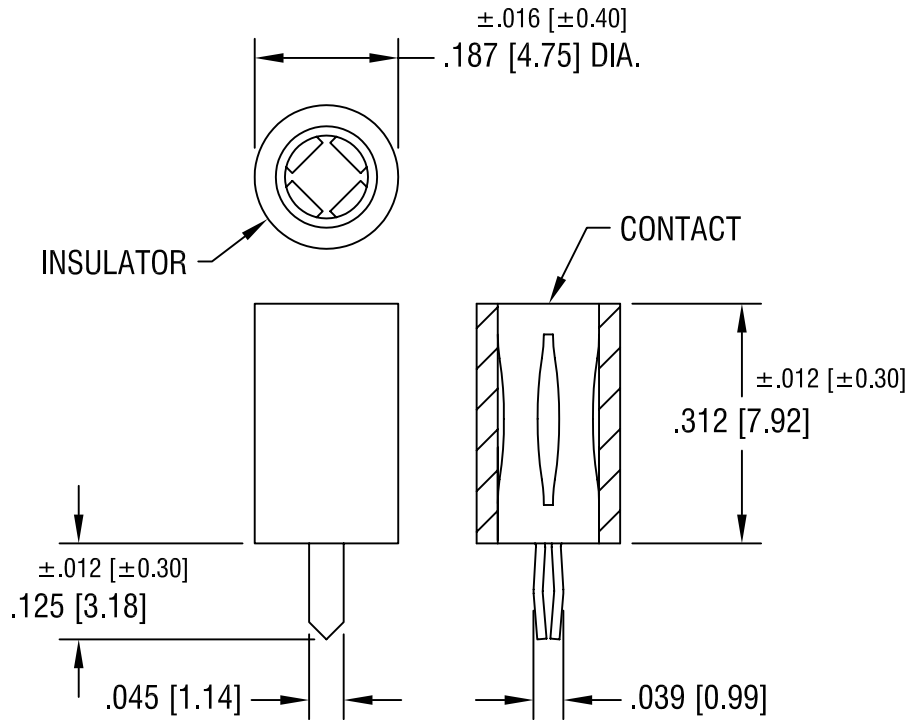


THIS DOCUMENT IS THE PROPERTY OF
KEYSTONE ELECTRONICS CORP. AND
SHALL NOT BE REPRODUCED, DISTRIBUTED
OR USED AS A BASIS FOR MANUFACTURE
WITHOUT PRIOR WRITTEN PERMISSION
FROM KEYSTONE ELECTRONICS CORP.



PART NO.	BODY COLOR
6042	WHITE
6043	RED
6044	BLACK
6045	YELLOW
6046	GREEN
6047	BLUE

NOTES:

- INSULATOR:
MAT'L - NYLON 6/6
- CONTACT :
MAT'L - BERYLLIUM COPPER, SILVER PLATE

DATE	DESCRIPTION	REV.
4.29.08	CHANGE AS PER ECN 08-103	C
4.18.08	CHANGE AS PER ECN 08-102	B
8.24.07	CHANGE AS PER ECN 07-048	A

KEYSTONE ELECTRONICS CORP.			
ASTORIA, N.Y. 11105-2017			
PART NAME SNAP-IN VERTICAL PC TEST JACK			
MATERIAL AS NOTED			
FINISH AS NOTED		DRN BY BOONE	DATE 12.6.06
		APP'D LN	SCALE 4X
TOLERANCES DECIMAL ANGULAR	INCH [MM] $\pm .005 [\pm 0.15]$ $\pm 1^\circ$	CODE C	DWG NO. 6042 - 6047
UNLESS OTHERWISE SPECIFIED			

AMEYA360

Components Supply Platform

Authorized Distribution Brand :



Website :

Welcome to visit www.ameya360.com

Contact Us :

➤ Address :

401 Building No.5, JiuGe Business Center, Lane 2301, Yishan Rd
Minhang District, Shanghai , China

➤ Sales :

Direct +86 (21) 6401-6692

Email amall@ameya360.com

QQ 800077892

Skype [ameyasales1](#) [ameyasales2](#)

➤ Customer Service :

Email service@ameya360.com

➤ Partnership :

Tel +86 (21) 64016692-8333

Email mkt@ameya360.com