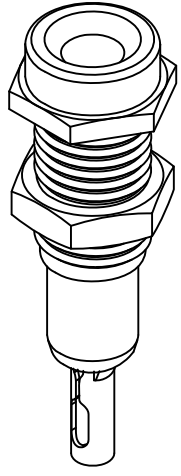
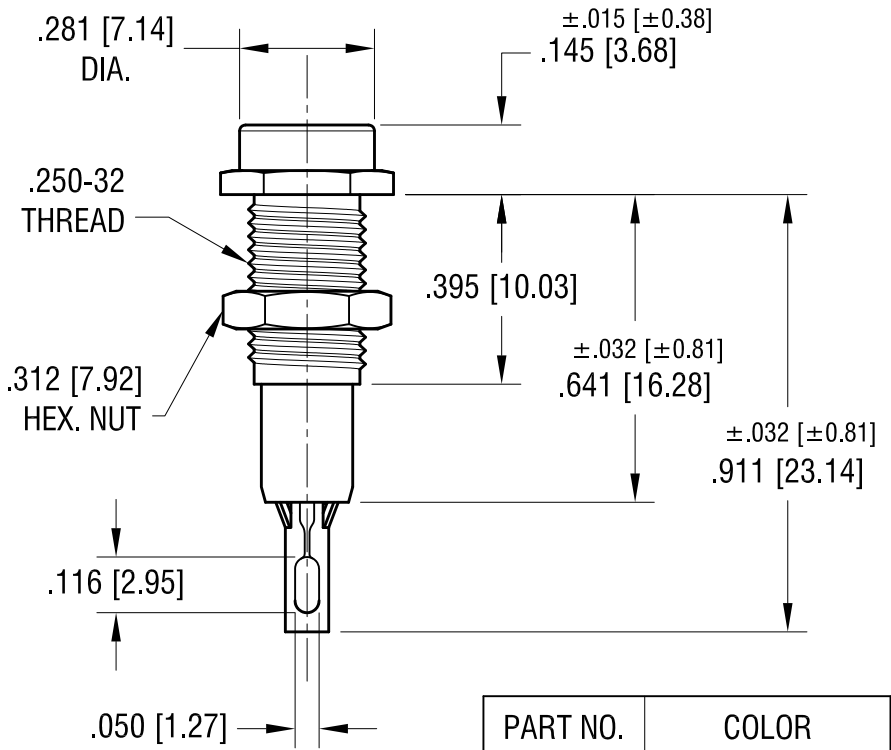
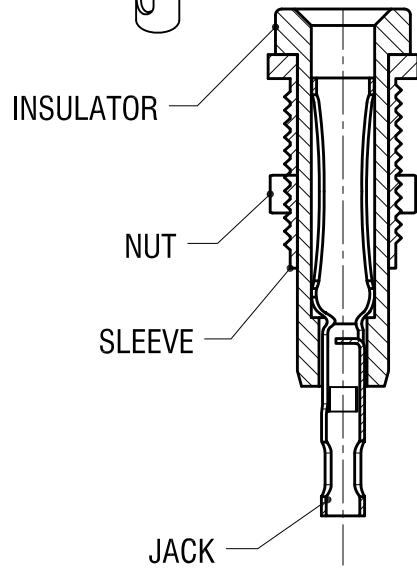
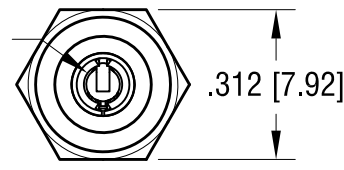


THIS DOCUMENT IS THE PROPERTY OF KEYSTONE ELECTRONICS CORP. AND SHALL NOT BE REPRODUCED, DISTRIBUTED OR USED AS A BASIS FOR MANUFACTURE WITHOUT PRIOR WRITTEN PERMISSION FROM KEYSTONE ELECTRONICS CORP.



SPRING CONTACT TO ACCEPT .080 [2.03] DIA. PIN



RATINGS:
 CURRENT: 10 AMPS
 BREAKDOWN VOLTAGE: 5700 V RMS
 CONTACT RESISTANCE: 0.010 OHMS MAX.
 CONTACT-TO-PANEL C: 2 pF NOMINAL

NOTES:
 1. CONTACT:
 MAT'L - PHOSPHOR BRONZE
 SILVER PLATE
 BODY:
 MAT'L - NYLON 6/6 PER ASTM D4066
 2. SHELL, NUT: BRASS, NICKEL PLATE.
 HARDWARE SUPPLIED
 UNASSEMBLED.

PART NO.	COLOR
6024	WHITE
6025	RED
6026	BLACK
6027	GREEN
6028	YELLOW
6029	BLUE

DATE	DESCRIPTION	REV.
9.26.11	CHANGE AS PER ECN 11-127	B
2.5.03	CHANGE AS PER ECN 03-012	A

KEYSTONE ELECTRONICS CORP.
 www.keyelco.com • ASTORIA, N.Y. 11105-2017 • Tel (718) 956-8900

PART NAME: **INSULATED METAL-CLAD TIP JACK**

MATERIAL: **AS NOTED**

FINISH: AS NOTED	DRN BY: BOONE	DATE: 12.7.82
	APP'D: LN	SCALE: 2.5X

TOLERANCES INCH [MM]
 DECIMAL ± .005 [± 0.13]
 ANGULAR ± 1°
 UNLESS OTHERWISE SPECIFIED

CODE: **C**

DWG NO.: **6024-6029**

AMEYA360

Components Supply Platform

Authorized Distribution Brand :



Website :

Welcome to visit www.ameya360.com

Contact Us :

➤ Address :

401 Building No.5, JiuGe Business Center, Lane 2301, Yishan Rd
Minhang District, Shanghai , China

➤ Sales :

Direct +86 (21) 6401-6692

Email amall@ameya360.com

QQ 800077892

Skype [ameyasales1](#) [ameyasales2](#)

➤ Customer Service :

Email service@ameya360.com

➤ Partnership :

Tel +86 (21) 64016692-8333

Email mkt@ameya360.com