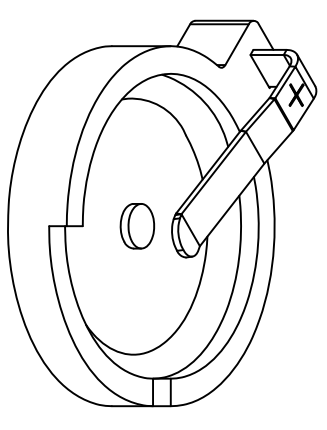
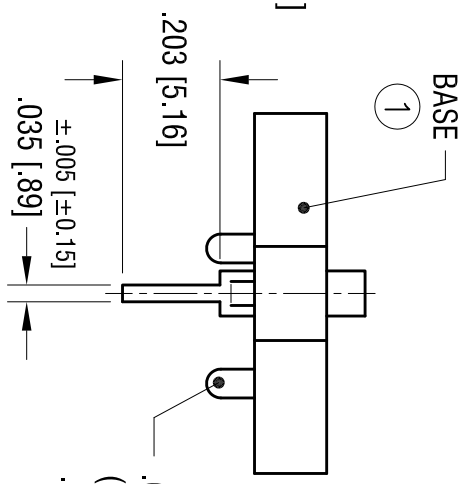
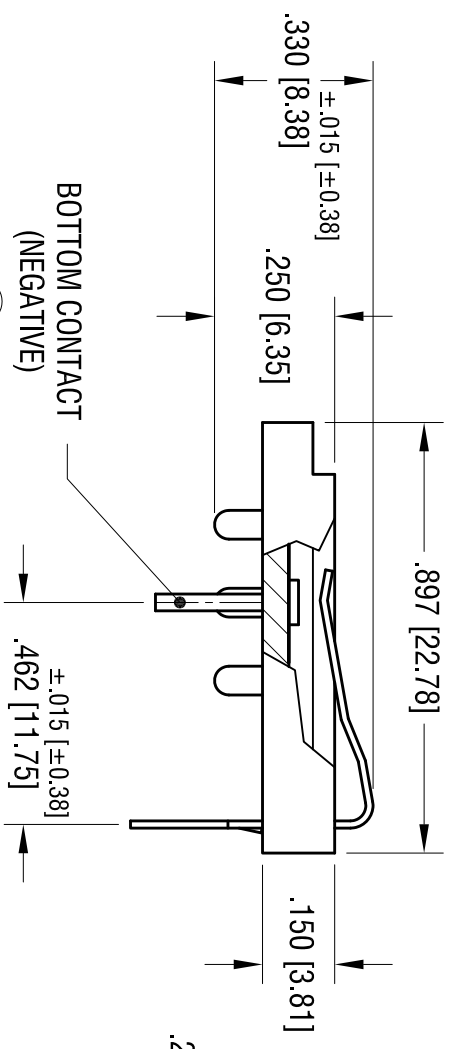
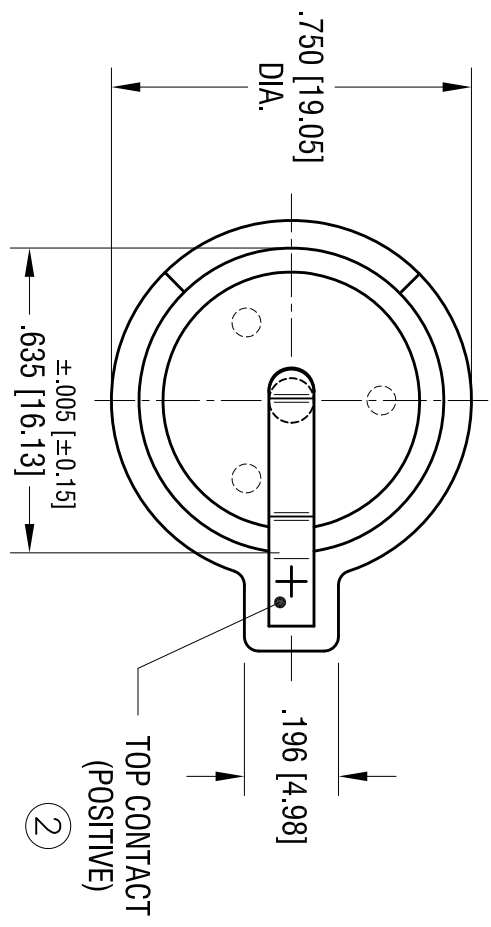


DATE	DESCRIPTION	REV.
11.2.11	CHANGE AS PER ECN 11-144	A



THIS DOCUMENT IS THE PROPERTY OF KEYSTONE ELECTRONICS CORP. AND SHALL NOT BE REPRODUCED, DISTRIBUTED OR USED AS A BASIS FOR MANUFACTURE WITHOUT PRIOR WRITTEN PERMISSION FROM KEYSTONE ELECTRONICS CORP.

**KEYSTONE ELECTRONICS CORP.**

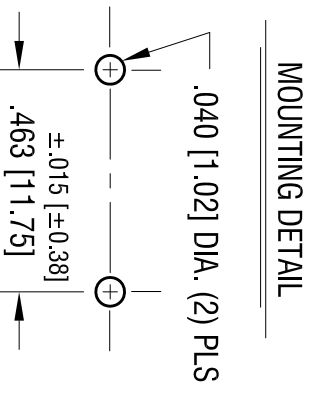
www.keystec.com • ASTORIA, N.Y. 11105-2017 • Tel (718) 956-8900

PART NAME  
**1632 COIN CELL BATTERY HOLDER**

MATERIAL  
**AS NOTED**

FINISH	AS NOTED	DRN BY	BOONE	DATE	10.10.06
TOLERANCES	INCH [MM]	CODE	DWG NO.	App'd	SCALE
DECIMAL	± .010 [± 0.25]	C	502-3	LN	2.5X
ANGULAR	± 1°				
UNLESS OTHERWISE SPECIFIED					

ITEM	DESCRIPTION/MATERIAL	FINISH
①	BASE, BLACK PBT (UL 94V-0)	TIN NICKEL PLATE
②	TOP CONTACT .015 [0.38] THK SPRING STEEL	
③	BOTTOM CONTACT .035 [0.89] DIA, STEEL	



# AMEYA360

## Components Supply Platform

Authorized Distribution Brand :



Website :

Welcome to visit [www.ameya360.com](http://www.ameya360.com)

Contact Us :

➤ Address :

401 Building No.5, JiuGe Business Center, Lane 2301, Yishan Rd  
Minhang District, Shanghai , China

➤ Sales :

Direct +86 (21) 6401-6692

Email [amall@ameya360.com](mailto:amall@ameya360.com)

QQ 800077892

Skype [ameyasales1](#) [ameyasales2](#)

➤ Customer Service :

Email [service@ameya360.com](mailto:service@ameya360.com)

➤ Partnership :

Tel +86 (21) 64016692-8333

Email [mkt@ameya360.com](mailto:mkt@ameya360.com)