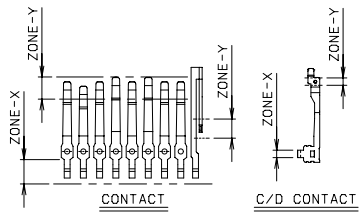
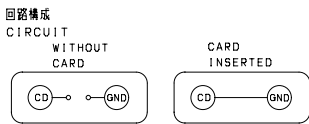
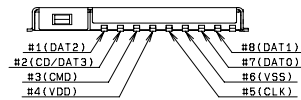
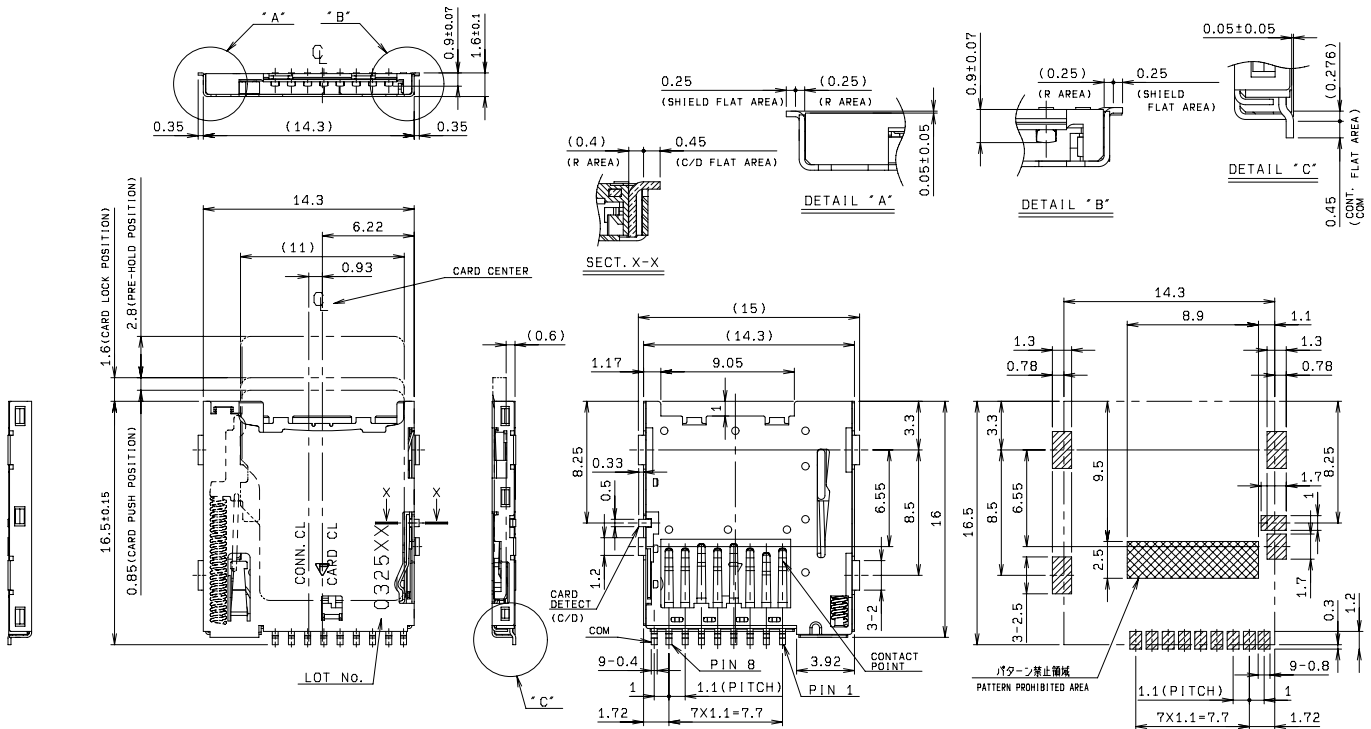


micro SD Card Connector

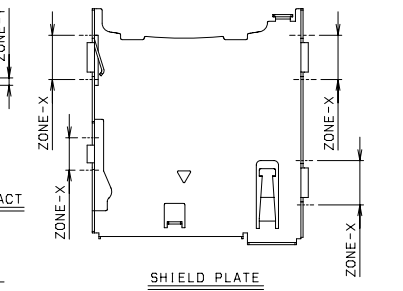
SERIES

5138

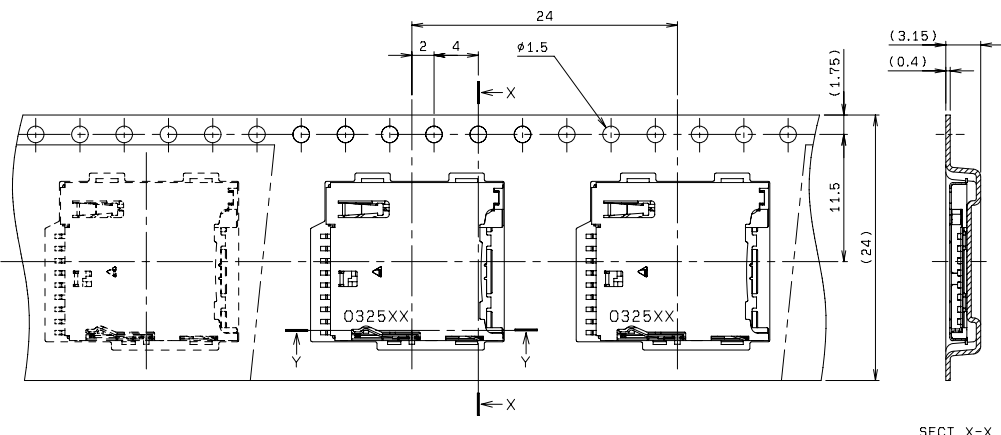
micro SD Card Connector



RECOMMENDED PCB PATTERN LAYOUT



SHIELD PLATE



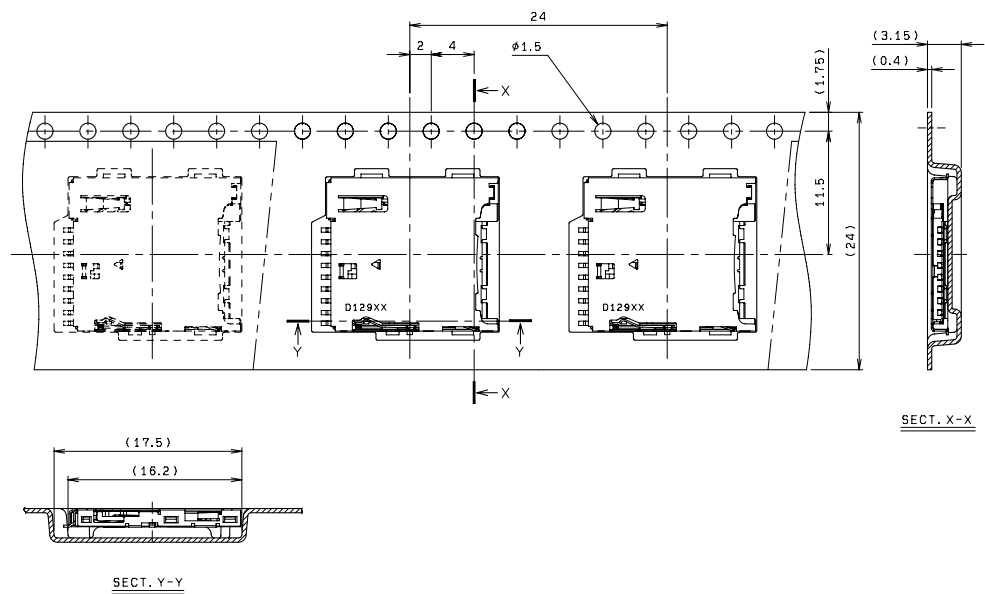
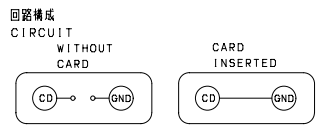
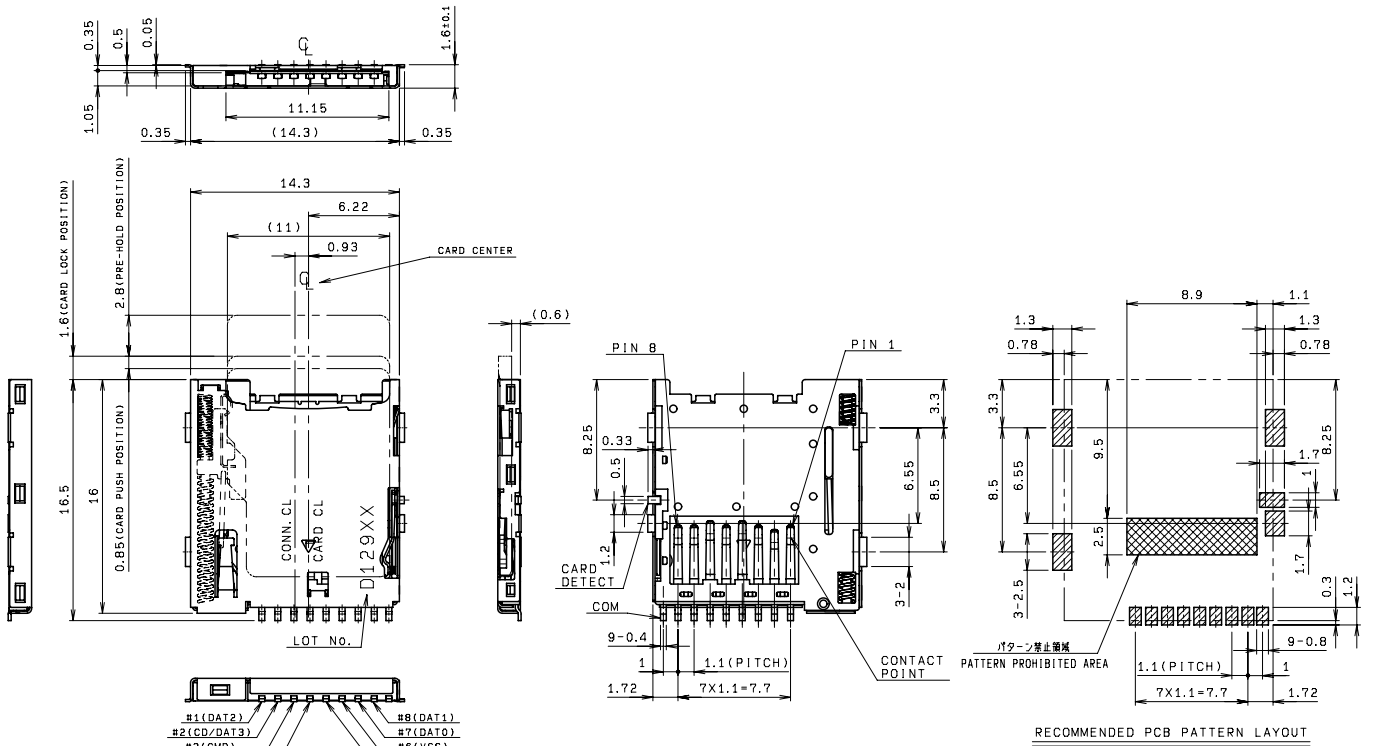
SECT. X-X

SECT. Y-Y

注文コード ORDERING CODE
04 5138 008 100 858 +

RoHS 対応品
RoHS Compliant Product

梱包数量 1000 個 / リール
PACKING QUANTITY : 1000/Reel



注文コード ORDERING CODE
04 5138 008 010 890 +

RoHS 対応品
RoHS Compliant Product

梱包数量 1000 個 / リール
PACKING QUANTITY : 1000/Reel

AMEYA360

Components Supply Platform

Authorized Distribution Brand :



Website :

Welcome to visit www.ameya360.com

Contact Us :

➤ Address :

401 Building No.5, JiuGe Business Center, Lane 2301, Yishan Rd
Minhang District, Shanghai , China

➤ Sales :

Direct +86 (21) 6401-6692

Email amall@ameya360.com

QQ 800077892

Skype [ameyasales1](#) [ameyasales2](#)

➤ Customer Service :

Email service@ameya360.com

➤ Partnership :

Tel +86 (21) 64016692-8333

Email mkt@ameya360.com