

Customer Information Sheet

DRAWING No.: M22-713XXXX

SHEET 2 OF 2

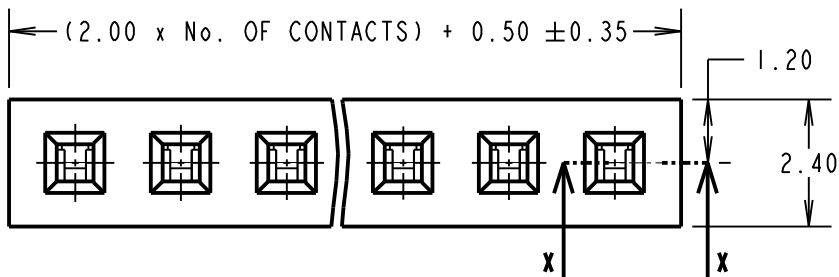
IF IN DOUBT - ASK

©

NOT TO SCALE

THIRD ANGLE PROJECTION

ALL DIMENSIONS IN mm



ORDER CODE:
M22-713XX42

No. OF CONTACTS: _____
03 TO 20 & 25

FINISH: _____
42 = GOLD FLASH ON CONTACT,
100% TIN ON TAILS

SPECIFICATION:

MATERIAL:

MOULDING = LCP UL94V-0, BLACK
CONTACTS = PHOSPHOR BRONZE

FINISH: (OVER NICKEL)

42 = 0.76 - 1.27µ NICKEL ALL OVER,
GOLD ON CONTACT AREA,
2.54µ 100% TIN ON TAILS

MECHANICAL:

INSERTION FORCE = 2N MAX PER PIN
WITHDRAWAL FORCE = 0.2N MIN PER PIN

ELECTRICAL:

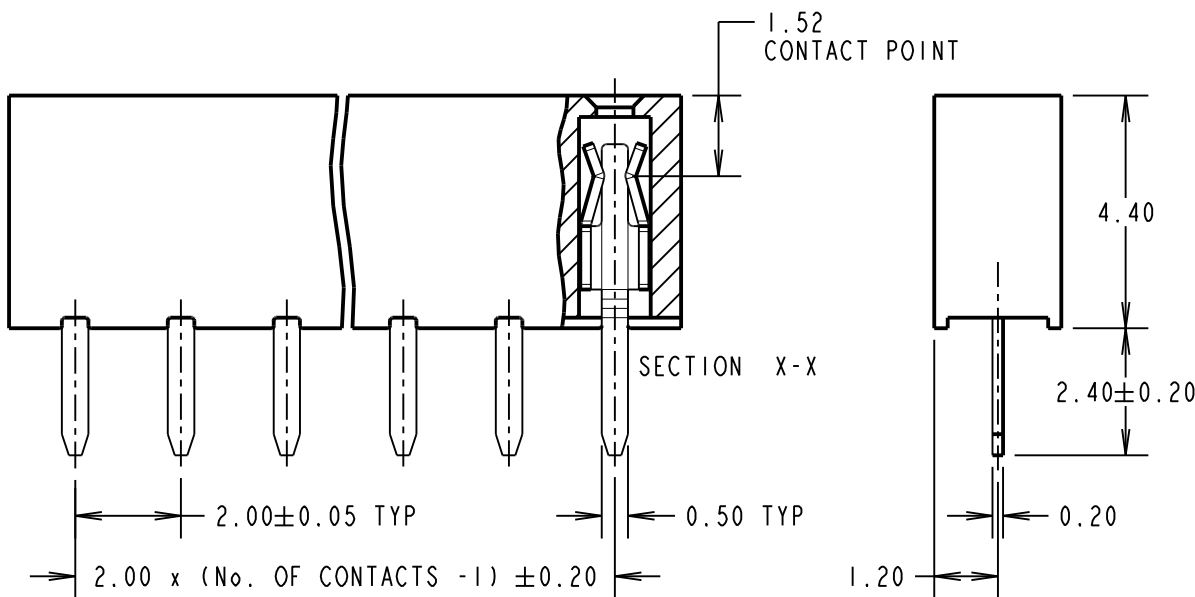
CURRENT RATING = 2A AC/DC
CONTACT RESISTANCE = 20mΩ MAX
INSULATION RESISTANCE = 1000MΩ MIN
DIELECTRIC WITHSTANDING = 500V AC FOR 1 MIN

ENVIRONMENTAL:

TEMPERATURE RANGE = -25° TO +105°

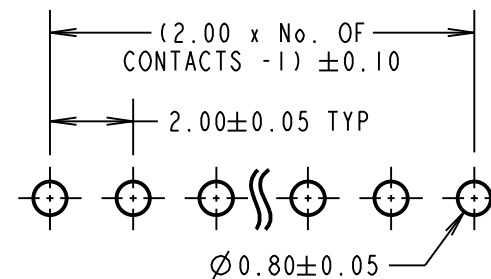
PACKING:

TUBE
FOR COMPLETE SPECIFICATION SEE COMPONENT
SPECIFICATION C018XX (LATEST ISSUE)



NOTE:

1. ALL TOLERANCES ARE ± 0.15 , UNLESS OTHERWISE STATED.



RECOMMENDED PCB LAYOUT

MSP	8	05.06.15	12803
NAME	ISS.	DATE	C/NOTE
APPROVED:			
CHECKED:			
DRAWN:		J. EVANS	
CUSTOMER REF.:			
ASSEMBLY DRG:			

HARWIN

www.harwin.com
technical@harwin.com

THIS DRAWING AND ANY INFORMATION OR DESCRIPTIVE MATTER SET OUT HEREON ARE CONFIDENTIAL AND COPYRIGHT PROPERTY OF THE HARWIN GROUP AND MUST NOT BE DISCLOSED, LOANED, COPIED OR USED FOR MANUFACTURING, TENDERING OR FOR ANY OTHER PURPOSE WITHOUT THEIR WRITTEN PERMISSION.

TOLERANCES
X = ± 1 mm
X.X = ± 0.50 mm
X.XX = ± 0.10 mm
X.XXX = ± 0.01 mm
ANGLES = $\pm 5^\circ$
UNLESS STATED

MATERIAL:

SEE ABOVE

FINISH:

SEE ABOVE

S/AREA:

mm²

TITLE:

2.00mm PITCH SIL
VERTICAL SOCKET ASSEMBLY

DRAWING NUMBER:

M22-713XXXX

SHT

2 OF 2

AMEYA360

Components Supply Platform

Authorized Distribution Brand :



Website :

Welcome to visit www.ameya360.com

Contact Us :

➤ Address :

401 Building No.5, JiuGe Business Center, Lane 2301, Yishan Rd
Minhang District, Shanghai , China

➤ Sales :

Direct +86 (21) 6401-6692

Email amall@ameya360.com

QQ 800077892

Skype [ameyasales1](#) [ameyasales2](#)

➤ Customer Service :

Email service@ameya360.com

➤ Partnership :

Tel +86 (21) 64016692-8333

Email mkt@ameya360.com