



FCIconnect.com

Copyright FCI.

1

2

List of "SFV__R-1/2STBE5HLF" customer document

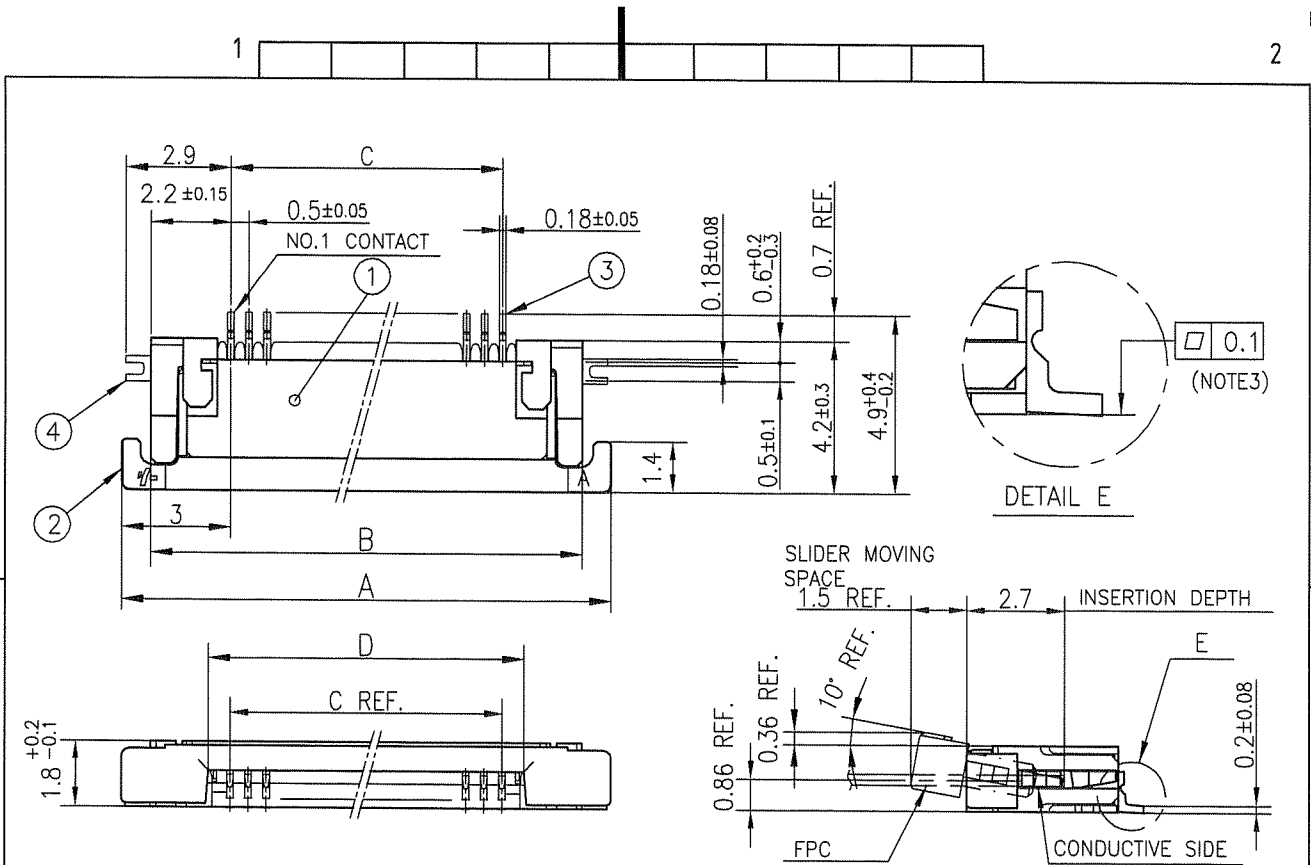
| DOCUMENT NO. | LIST |
|-----------------|---|
| SC-SFV08 | SPEC. |
| 10117738 Sheet2 | CAT.NO.TABLE FOR 0.5mm CONTACT SPACING CONNECTOR (SFV__R-1/2STB_HLF) |
| 10117738 Sheet3 | CONNECTOR USED FOR FPC/FFC WITH 0.5mm CONTACT SPACING (SFV__R-1STB_HLF) |
| 10117738 Sheet4 | CONNECTOR USED FOR FPC/FFC WITH 0.5mm CONTACT SPACING (SFV__R-2STB_HLF) |
| 10117738 Sheet5 | CAT.NO.TABLE FOR PLASTIC TAPE PACKAGED 0.5mm CONTACT SPACING CONNECTOR (SFV__R-1/2STBE5HLF) |
| 10117738 Sheet6 | PLASTIC TAPE PACKAGED 0.5mm CONTACT SPACING CONNECTOR (SFV__R-1STBE5HLF) |
| 10117738 Sheet7 | PLASTIC TAPE PACKAGED 0.5mm CONTACT SPACING CONNECTOR (SFV__R-2STBE5HLF) |
| 10117738 Sheet8 | RECOMMENDED CABLE (FPC) (SFV__R-1/2ST__LF) |
| 10117738 Sheet9 | RECOMMENDED CABLE (FFC) (SFV__R-1/2ST__LF) |
| BUM-SFV101 | HANDLING PROCEDURES |

| | | | | | | | | | | | | | |
|-------------|--|--------------------|--|---|--|----------------------------------|--|---------------------------------------|--|--|--|--------------------|--|
| mat'l. code | | | | surface ISO 1302 <input checked="" type="checkbox"/> | | tolerance ISO 406 ISO 1101 | | projection | | product family 58EF | | CODE JP | |
| ltr A | | ecn no J11-0061 | | dr S.W. | | date 2011-3-8 | | tolerances unless otherwise specified | | title 0.5mm SPACING FPC CONNECTOR DOCUMENT LIST (Cat. No. : SFV__R-1/2STBE5HLF) | | | |
| | | | | angles | | linear | | mm | | scale \propto | | | |
| | | | | dr <i>S. Wether</i> | | 2011-3-8 | | engr <i>S. Wether</i> | | 2011-3-8 | | dwg no 10117738 | |
| | | | | chr <i>Phasome</i> | | 2011-3-8 | | appd <i>M. Wether</i> | | 2011-3-8 | | sheet 1 of 9 A4 | |
| sheet index | | revision sheet | | A | | A | | A | | A | | A | |
| | | 1 | | 2 | | 3 | | 4 | | 5 | | 6 | |
| | | 7 | | 8 | | 9 | | | | | | Rev. A | |

form: A4

1

2

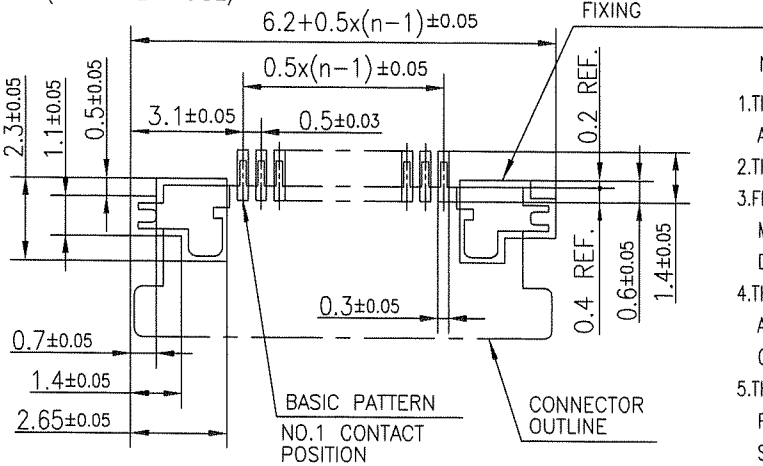


| PT. NO. | PARTS NAME | MATERIAL | Q'TY | NOTE |
|---------|----------------|--|------|------------------------------|
| 1 | HOUSING | 13~35pin : LCP RESIN GLASS REINFORCED (UL94V-0) | 1 | COLOR : BLACK (HALOGEN FREE) |
| | | 4~12pin : POLYAMIDE RESIN GLASS REINFORCED (UL94V-0) | | |
| 2 | SLIDER | PPS RESIN GLASS REINFORCED (UL94V-0) | 1 | COLOR : BLACK (HALOGEN FREE) |
| 3 | CONTACT | PHOSPHOR BRONZE | n | PLATING : GOLD |
| 4 | MOUNTING PLATE | | 2 | PLATING : LEAD FREE |

RECOMMENDED PC BOARD LAYOUT
(COMPONENT SIDE)

PATTERN FOR MOUNTING PLATE
FIXING

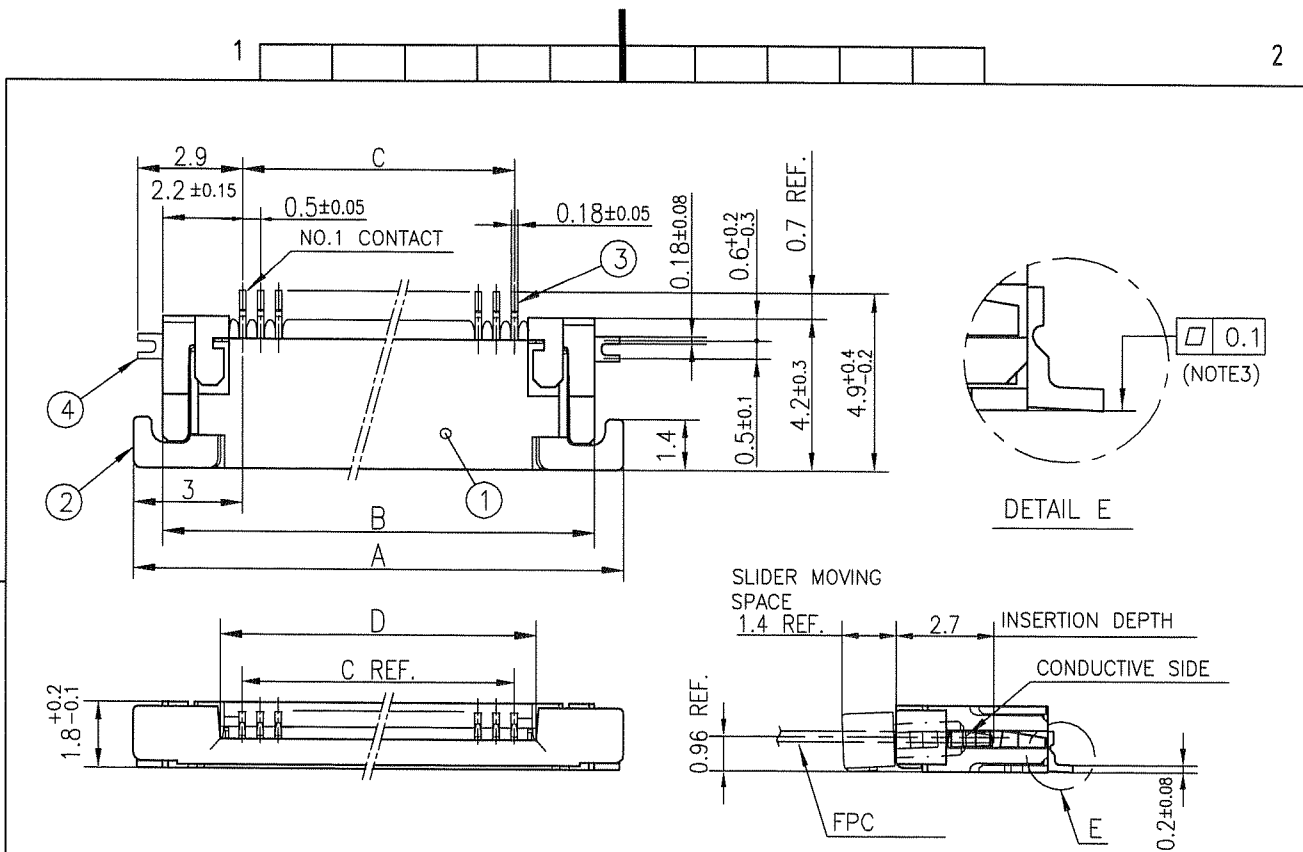
n : NO. OF CONTACTS



NOTES

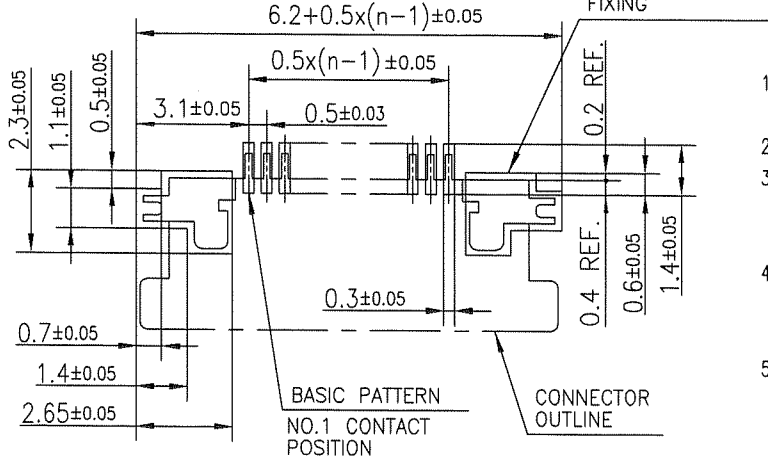
1. THIS PRODUCT IS THE CONNECTOR USED FOR FPC AND COPES WITH AUTOMATIC MOUNTING (SMT).
2. THIS PRODUCT IS LOWER CONTACT TYPE CONNECTOR.
3. FLATNESS OF CONTACT TERMINAL AND MOUNTING PLATE MUST BE WITHIN TOLERANCE IN E PORTION DETAILED DRAWING.
4. THIS PRODUCT MEETS EUROPEAN UNION DIRECTIVES AND OTHER COUNTRY REGULATIONS AS DESCRIBED IN GS-22-008.
5. THE HOUSING WILL WITHSTAND EXPOSURE TO 260°C PEAK TEMPERATURE FOR 10 SECONDS IN A REFLOW SOLDERING OVEN.

| | | | | | | | | | | | | | |
|-------------|--|--|--|--|--|----------------------------------|--|-------------------------|--|--|--|-------------------------|--|
| mat'l. code | | | | surface ISO 1302 ✓ tolerances unless otherwise specified | | tolerance ISO 406 ISO 1101 | | projection mm | | product family 58EF | | CODE JP | |
| ltr | | | | angles | | linear | | scale | | title CONNECTOR USED FOR FPC WITH 0.5 mm CONTACT SPACING (Cat No. : SFV__R-1STB__HLF) | | | |
| A | | | | | | | | | | dwg no 10117738 | | | |
| sheet index | | | | revision sheet | | dr | | enr | | chr | | appd | |
| | | | | | | S. W. T. H. V. 2011-3-8 | | S. W. T. H. V. 2011-3-8 | | Z. Y. S. O. N. E. 2011-3-8 | | M. C. O. N. I. 2011-3-8 | |
| | | | | | | 2011-3-8 | | 2011-3-8 | | 2011-3-8 | | 2011-3-8 | |
| | | | | | | Mar 8 11 | | FCJ | | sheet 3 of 9 | | size A4 | |
| | | | | | | | | | | type Product Customer Drawing | | Rev. A | |



| PT. NO. | PARTS NAME | MATERIAL | Q'TY | NOTE |
|---------|----------------|--|------|------------------------------|
| 1 | HOUSING | 13~35pin : LCP RESIN GLASS REINFORCED (UL94V-0) | 1 | COLOR : BLACK (HALOGEN FREE) |
| | | 4~12pin : POLYAMIDE RESIN GLASS REINFORCED (UL94V-0) | | |
| 2 | SLIDER | PPS RESIN GLASS REINFORCED (UL94V-0) | 1 | COLOR : BLACK (HALOGEN FREE) |
| 3 | CONTACT | PHOSPHOR BRONZE | n | PLATING : GOLD |
| 4 | MOUNTING PLATE | | 2 | PLATING : LEAD FREE |

RECOMMENDED PC BOARD LAYOUT
(COMPONENT SIDE)

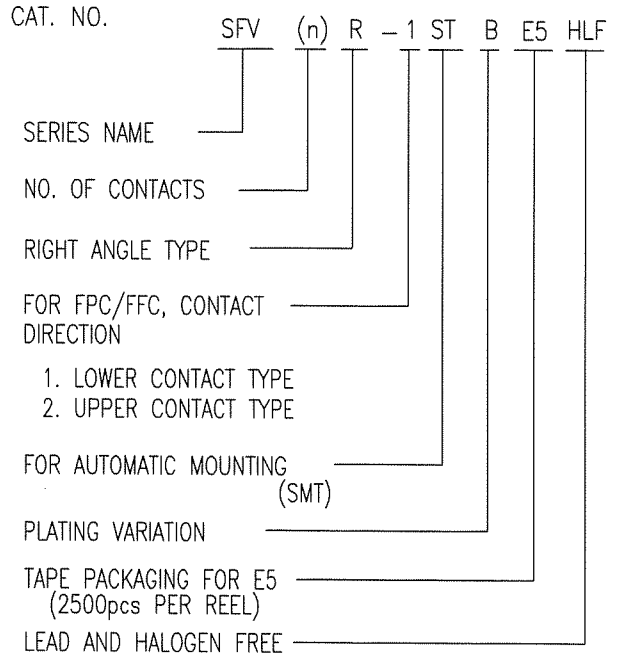


- NOTES
1. THIS PRODUCT IS THE CONNECTOR USED FOR FPC AND COPES WITH AUTOMATIC MOUNTING (SMT).
 2. THIS PRODUCT IS UPPER CONTACT TYPE CONNECTOR.
 3. FLATNESS OF CONTACT TERMINAL AND MOUNTING PLATE MUST BE WITHIN TOLERANCE IN E PORTION DETAILED DRAWING.
 4. THIS PRODUCT MEETS EUROPEAN UNION DIRECTIVES AND OTHER COUNTRY REGULATIONS AS DESCRIBED IN GS-22-008.
 5. THE HOUSING WILL WITHSTAND EXPOSURE TO 260°C PEAK TEMPERATURE FOR 10 SECONDS IN A REFLOW SOLDERING OVEN.

| | | | | | | | | | | | | | |
|--------------------|--|----------------|--|---------------------------------------|--|----------------------------|--|------------|--|--|--|----------------------|--|
| mat'l. code | | | | surface ISO 1302 ✓ | | tolerance ISO 406 ISO 1101 | | projection | | product family 58EF | | CODE JP | |
| ltr ecn no dr date | | | | tolerances unless otherwise specified | | | | mm | | title | | | |
| A | | | | angles linear ±0.2 | | | | scale X | | CONNECTOR USED FOR FPC WITH 0.5 mm CONTACT SPACING (Cat. No. : SFV__R-2STB__HLF) | | | |
| | | | | dr S. Watanabe 2011-3-8 | | enr S. Watanabe 2011-3-8 | | FCJ | | dwg no 10117738 | | sheet 4 of 9 size A4 | |
| | | | | chr T. Yasuda 2011-3-8 | | appd M. Ochi 2011-3-11 | | | | type Product Customer Drawing | | | |
| sheet index | | revision sheet | | | | | | | | | | Rev. A | |

CAT. NO. & DIMENSIONS

| NO. OF CONTACTS (n) | CAT. NO. | DIMENSIONS (NOTE3) | | |
|---------------------|--------------------|--------------------|---------|---------|
| | | F MAX. | G ± 0.3 | H ± 0.1 |
| 4 | SFV4R-1/2STBE5HLF | 22.4 | 16 | — |
| 5 | SFV5R-1/2STBE5HLF | 22.4 | 16 | — |
| 6 | SFV6R-1/2STBE5HLF | 22.4 | 16 | — |
| 7 | SFV7R-1/2STBE5HLF | 30.4 | 24 | — |
| 8 | SFV8R-1/2STBE5HLF | 30.4 | 24 | — |
| 9 | SFV9R-1/2STBE5HLF | 30.4 | 24 | — |
| 10 | SFV10R-1/2STBE5HLF | 30.4 | 24 | — |
| 11 | SFV11R-1/2STBE5HLF | 30.4 | 24 | — |
| 12 | SFV12R-1/2STBE5HLF | 30.4 | 24 | — |
| 13 | SFV13R-1/2STBE5HLF | 30.4 | 24 | — |
| 14 | SFV14R-1/2STBE5HLF | 30.4 | 24 | — |
| 15 | SFV15R-1/2STBE5HLF | 30.4 | 24 | — |
| 16 | SFV16R-1/2STBE5HLF | 30.4 | 24 | — |
| 17 | SFV17R-1/2STBE5HLF | 30.4 | 24 | — |
| 18 | SFV18R-1/2STBE5HLF | 30.4 | 24 | — |
| 19 | SFV19R-1/2STBE5HLF | 30.4 | 24 | — |
| 20 | SFV20R-1/2STBE5HLF | 30.4 | 24 | — |
| 21 | SFV21R-1/2STBE5HLF | 30.4 | 24 | — |
| 22 | SFV22R-1/2STBE5HLF | 30.4 | 24 | — |
| 23 | SFV23R-1/2STBE5HLF | 38.4 | 32 | 28.4 |
| 24 | SFV24R-1/2STBE5HLF | 38.4 | 32 | 28.4 |
| 25 | SFV25R-1/2STBE5HLF | 38.4 | 32 | 28.4 |
| 26 | SFV26R-1/2STBE5HLF | 38.4 | 32 | 28.4 |
| 27 | SFV27R-1/2STBE5HLF | 38.4 | 32 | 28.4 |
| 28 | SFV28R-1/2STBE5HLF | 38.4 | 32 | 28.4 |
| 29 | SFV29R-1/2STBE5HLF | 38.4 | 32 | 28.4 |
| 30 | SFV30R-1/2STBE5HLF | 38.4 | 32 | 28.4 |
| 31 | SFV31R-1/2STBE5HLF | 50.4 | 44 | 40.4 |
| 32 | SFV32R-1/2STBE5HLF | 50.4 | 44 | 40.4 |
| 33 | SFV33R-1/2STBE5HLF | 50.4 | 44 | 40.4 |
| 34 | SFV34R-1/2STBE5HLF | 50.4 | 44 | 40.4 |
| 35 | SFV35R-1/2STBE5HLF | 50.4 | 44 | 40.4 |



NOTES

1. THIS PRODUCT IS THE CONNECTOR USED FOR FPC AND COPES WITH AUTOMATIC MOUNTING (SMT).
2. THIS CATALOG NO. INDICATES PLASTIC TAPE PACKAGED CONNECTOR.
3. SEE PART DRAWINGS FOR DIMENSIONS F~H.

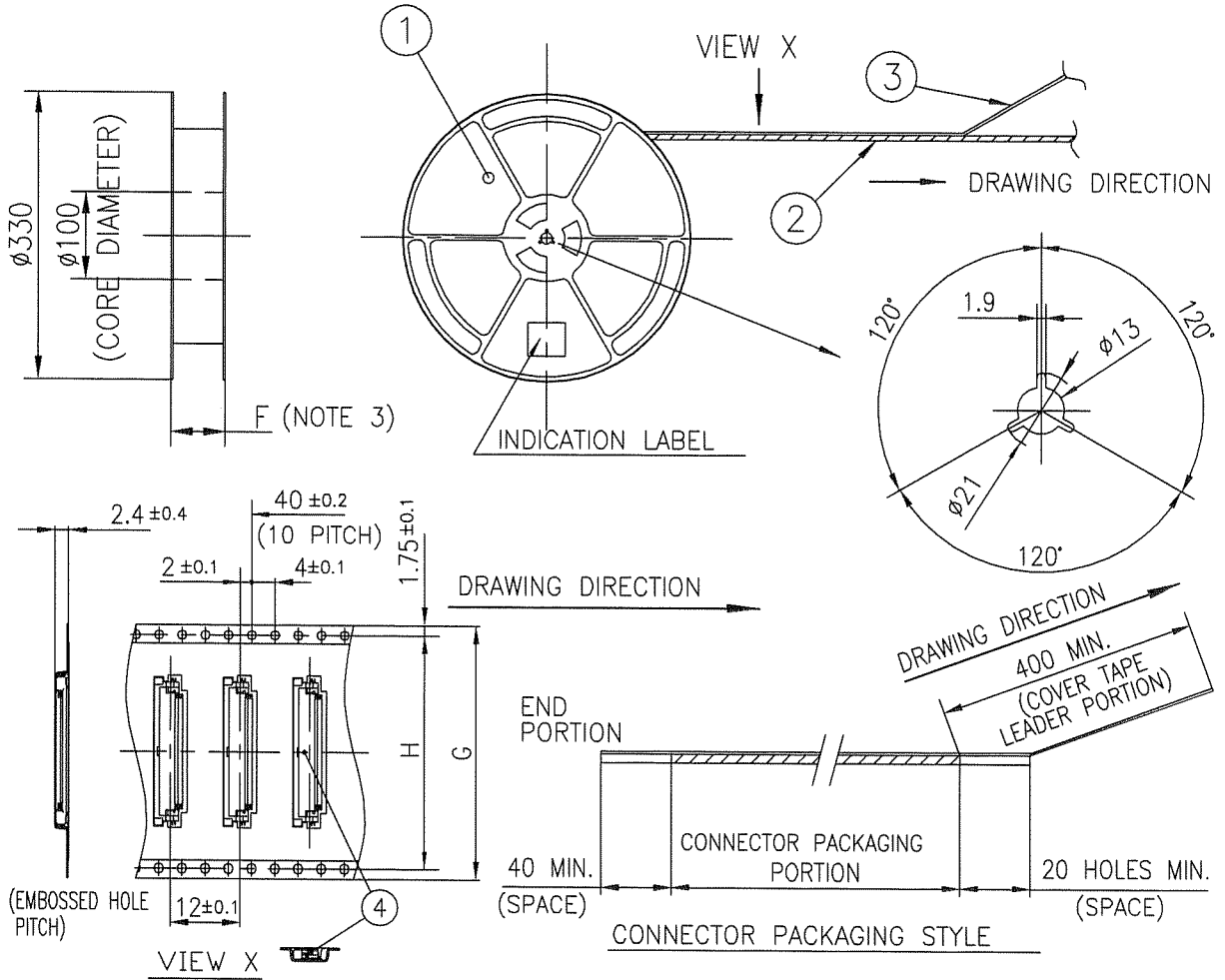


FCIconnect.com

Copyright FCI.

| | | | | | | | | | | | |
|-------------|--|--------------------|--|----------------------------|--|-------------------|--|---------------------------------------|--|---|--|
| mat'l. code | | surface ISO 1302 ✓ | | tolerance ISO 406 ISO 1101 | | projection | | product family 58EF | | CODE JP | |
| ltr | | ecn no | | dr | | date | | tolerances unless otherwise specified | | title | |
| A | | | | | | | | angles linear | | CAT. NO. TABLE FOR PLASTIC TAPE PACKAGED 0.5 mm CONTACT SPACING CONNECTOR (Cat. No. : SFV__R-1/2STBE5HLF) | |
| | | | | | | | | mm | | scale X | |
| | | | | dr | | S. Matar 2011-3-8 | | FCI | | dwg no sheet 5 of 9 size | |
| | | | | enr | | S. Matar 2011-3-8 | | | | 10117738 A4 | |
| | | | | chr | | R. Brown 2011-3-8 | | | | type Product Customer Drawing | |
| | | | | appd | | M. C. 2011-3-8 | | | | Rev. A | |
| sheet index | | revision sheet | | | | | | | | | |

TOLERANCES
UNLESS OTHERWISE SPECIFIED : ± 5 , ANGLE $\pm 5^\circ$



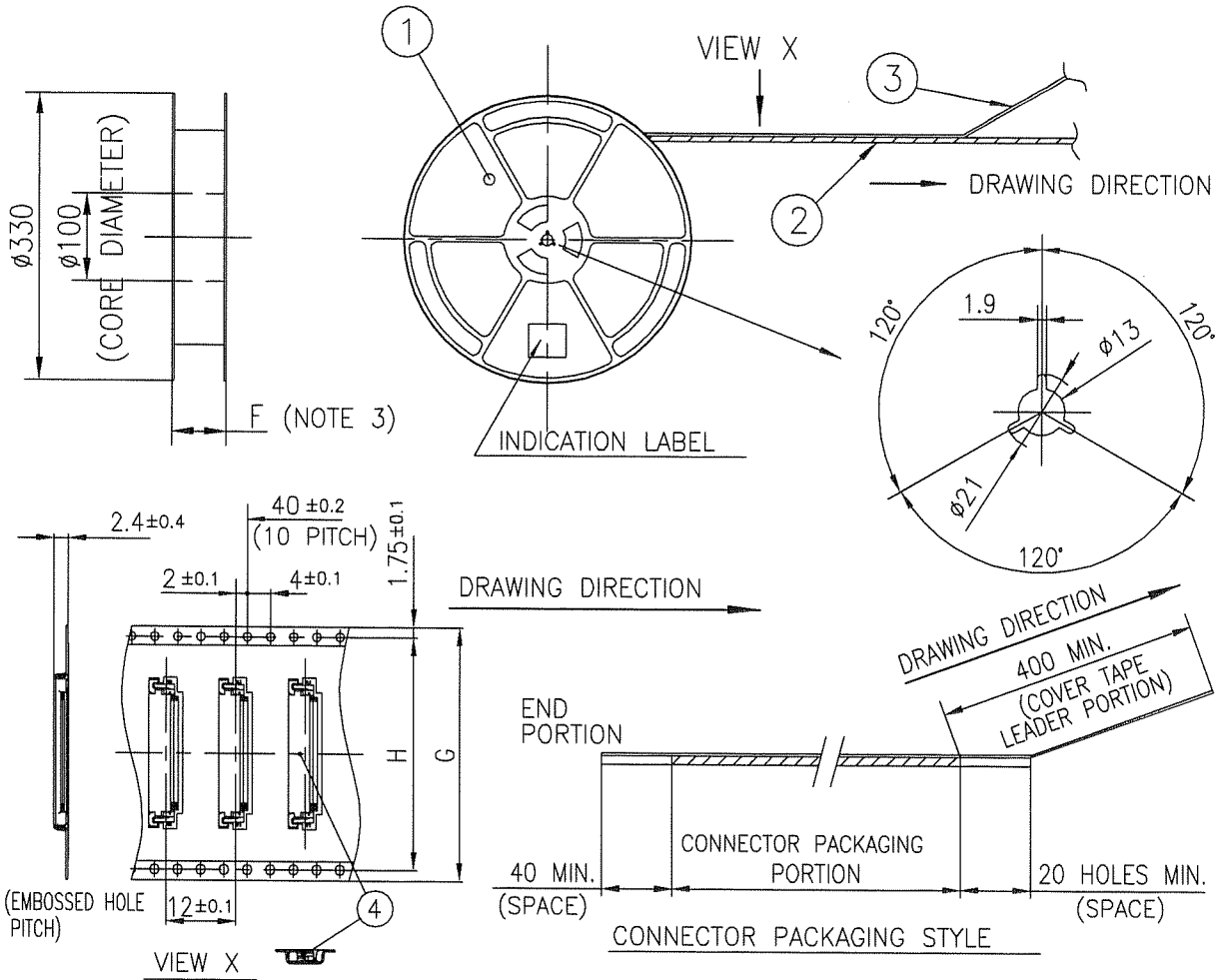
| PT. NO. | PARTS NAME | CAT. NO. | MATERIAL | Q'TY | NOTE |
|---------|-----------------------|-----------------|-------------------|-------|----------------------|
| 1 | REEL | _____ | POLYSTYRENE | 1 | COLOR : BLACK |
| 2 | PLASTIC (EMBOSS) TAPE | _____ | A-PET | _____ | COLOR : TRANSPARENCY |
| 3 | COVER | _____ | POLYESTER | _____ | COLOR : TRANSPARENCY |
| 4 | CONNECTOR | SFV__R-1STB_HLF | SEE ATTACHED DWG. | 2500 | LOWER CONTACT TYPE |

NOTES

- THIS IS PLASTIC TAPE PACKAGED CONNECTOR USED FOR FPC AND COPEs WITH AUTOMATIC MOUNTING (SMT).
- SEE JIS C 0806 (PACKING OF ELECTRONIC COMPONENTS ON CONTINUOUS TAPES (SURFACE MOUNTING DEVICES)) FOR SHAPE AND DIMENSIONS OF PLASTIC (EMBOSS) TAPE AND REEL.
- F DIMENSION IS PORTION OF THE CORE.

| | | | | | | | | | | | |
|-------------|--------|--|------|---|--------|----------------|------|--|--|----------------------|--|
| mat'l. code | | surface ISO 1302 <input checked="" type="checkbox"/> | | tolerance ISO 406 <input checked="" type="checkbox"/> | | projection | | product family 58EF | | CODE JP | |
| ltr | ecn no | dr | date | tolerances unless otherwise specified | | | | title PLASTIC TAPE PACKAGED 0.5 mm CONTACT SPACING CONNECTOR (Cat. No. : SFV__R-1STBE5HLF) | | | |
| A | | | | angles | linear | scale \times | | dwg no 10117738 | | sheet 6 of 9 size A4 | |
| sheet index | | revision sheet | | dr | engr | chr | appd | type Product Customer Drawing | | Rev. A | |
| | | | | | | | | | | | |

TOLERANCES
UNLESS OTHERWISE SPECIFIED : ± 5 , ANGLE $\pm 5^\circ$



| PT. NO. | PARTS NAME | CAT. NO. | MATERIAL | Q'TY | NOTE |
|---------|-----------------------|-----------------|-------------------|-------|----------------------|
| 1 | REEL | _____ | POLYSTYRENE | 1 | COLOR : BLACK |
| 2 | PLASTIC (EMBOSS) TAPE | _____ | A-PET | _____ | COLOR : TRANSPARENCY |
| 3 | COVER | _____ | POLYESTER | _____ | COLOR : TRANSPARENCY |
| 4 | CONNECTOR | SFV__R-2STB_HLF | SEE ATTACHED DWG. | 2500 | UPPER CONTACT TYPE |

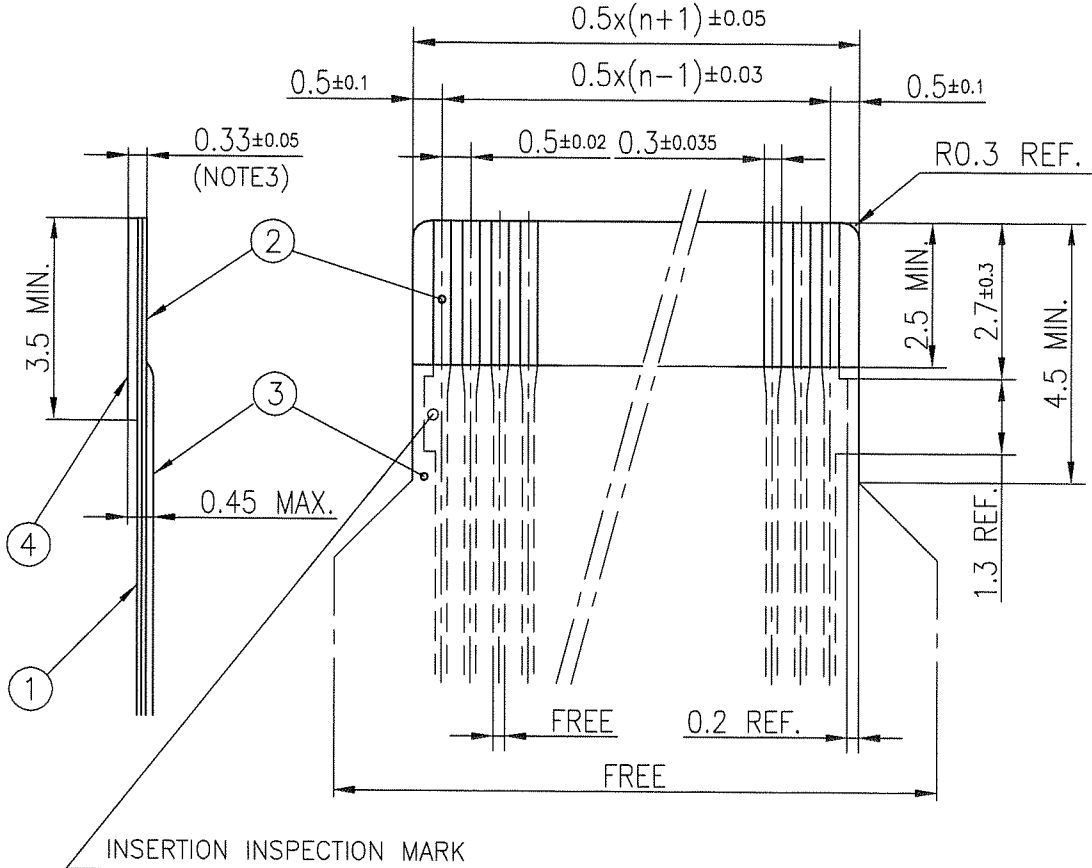
NOTES

- THIS IS PLASTIC TAPE PACKAGED CONNECTOR USED FOR FPC AND COPEs WITH AUTOMATIC MOUNTING (SMT).
- SEE JIS C 0806 (PACKING OF ELECTRONIC COMPONENTS ON CONTINUOUS TAPES (SURFACE MOUNTING DEVICES)) FOR SHAPE AND DIMENSIONS OF PLASTIC (EMBOSS) TAPE AND REEL.
- F DIMENSION IS PORTION OF THE CORE.

| | | | | | | | | |
|-------------|----------------|----|------|---------------------------------------|----------------------------------|----------------|---|------------|
| mat'l. code | | | | surface ISO 1302 | tolerance ISO 406 ISO 1101 | projection | product family 58EF | CODE JP |
| ltr | ecn no | dr | date | tolerances unless otherwise specified | | mm | title PLASTIC TAPE PACKAGED 0.5 mm CONTACT SPACING CONNECTOR (Cat. No. : SFV__R-2STBE5HLF) | |
| A | | | | angles | linear | scale \times | dwg no 10117738 | |
| | | | | dr | 2011-3-8 | | sheet 7 of 9 | |
| | | | | enr | 2011-3-8 | | size A4 | |
| | | | | chr | 2011-3-8 | | type Product Customer Drawing | |
| | | | | appd | Mr. S. U. | | | |
| sheet index | revision sheet | | | | | | | Rev. A |

RECOMMENDED CABLE (FPC)

n : NO. OF CONTACTS



INSERTION INSPECTION MARK

| PT. NO. | PARTS NAME | MATERIAL | THICKNESS (um) |
|---------|-----------------|---------------------------------|----------------|
| 1 | BASE FILM | POLYIMIDE OR POLYESTER OR EQUAL | 25 |
| 2 | CONDUCTOR | COPPER FOIL(PLATING : GOLD) | 35 |
| 3 | OVERLAY | POLYIMIDE OR POLYESTER OR EQUAL | — |
| 4 | SUPPORTING TAPE | POLYESTER OR POLYIMIDE OR EQUAL | 188 |

NOTES

1. NO BURR AT EACH PORTION.
2. NO PEELING IN COMMON USE.
3. TOTAL THICKNESS LIMIT OF EACH MATERIAL (INCLUDING ADHESIVE AGENT) IS SPECIFIED.

| | | | | | | | | | | | | | |
|-------------|--|----------------|--|-----------------------|--|----------------------------------|--|-----------------|--|---|--|--------------------------|--|
| mat'l. code | | | | surface ISO 1302 ✓ | | tolerance ISO 406 ISO 1101 | | projection ⊕ | | product family 58EF | | CODE JP | |
| ltr | | | | ecn no | | dr | | date | | title RECOMMENDED CABLE (Cat. No. : SFV__R-1/2ST__LF) | | | |
| A | | | | | | | | | | | | | |
| | | | | angles | | linear | | mm | | | | | |
| | | | | | | | | scale | | | | | |
| | | | | dr | | 2011-3-8 | | FCJ | | dwg no | | sheet 8 of 9 size | |
| | | | | enr | | 2011-3-8 | | | | 10117738 | | A4 | |
| | | | | chr | | 2011-3-8 | | | | type | | Product Customer Drawing | |
| | | | | appd | | Mar 8/11 | | | | | | | |
| sheet index | | revision sheet | | | | | | | | | | Rev. A | |

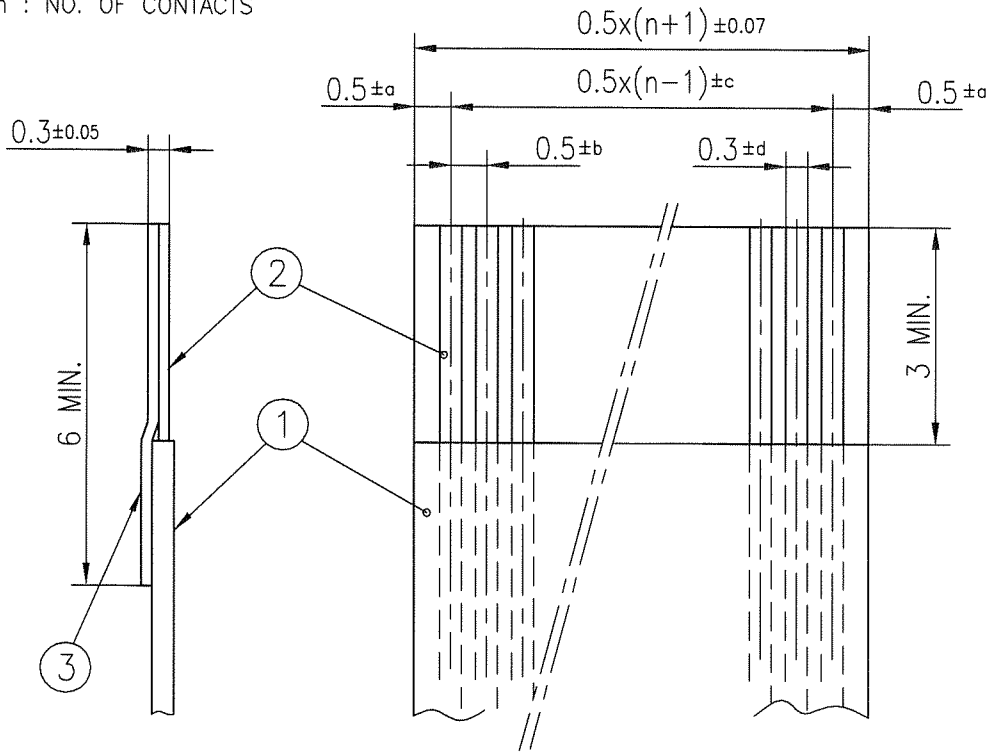


FCIconnect.com

Copyright FCI.

RECOMMENDED CABLE (FFC)

n : NO. OF CONTACTS



| KIND OF FFC (NOTE3) | DIMENSIONAL TOLERANCE | | | |
|---------------------|-----------------------|-------|-------|--------|
| | a | b | c | d |
| 1 | ±0.07 | ±0.04 | ±0.05 | ±0.02 |
| 2 | ±0.1 | ±0.03 | ±0.03 | ±0.025 |

| PT. NO. | PARTS NAME | MATERIAL |
|---------|-----------------|---|
| 1 | INSULATOR | FLAME RESISTING POLYESTER OR EQUIVALENT |
| 2 | CONDUCTOR | COPPER FOIL (PLATING : GOLD) |
| 3 | SUPPORTING TAPE | FLAME RESISTING POLYESTER OR EQUIVALENT |

NOTES

1. NO BURR AT EACH PORTION.
2. NO PEELING IN COMMON USE.
3. EITHER KIND1 OR KIND2 OF FFC CAN ACCEPT DIMENSIONAL TOLERANCE a,b,c AND d.

| | | | | | | | | | | | |
|-------------|--|--|--|---|--|--------------------------|--|-------------------------------|--|--|--|
| mat'l. code | | | | surface ISO 1302 <input checked="" type="checkbox"/> tolerance ISO 406 <input checked="" type="checkbox"/> ISO 1101 | | projection | | product family 58EF | | CODE JP | |
| ltr A | | | | ecn no | | dr | | date | | title | |
| | | | | angles | | linear | | mm | | RECOMMENDED CABLE (Cat. No. : SFV__R-1/2ST__LF) | |
| | | | | scale X | | FCJ | | dwg no 10117738 | | sheet 9 of 9 size A4 | |
| sheet index | | | | revision sheet | | dr S. Nishida 2011-3-8 | | enr S. Nishida 2011-3-8 | | chr S. Nishida 2011-3-8 | |
| | | | | | | appd M. Nishida Mar 8/11 | | type Product Customer Drawing | | Rev. A | |

AMEYA360

Components Supply Platform

Authorized Distribution Brand :



Website :

Welcome to visit www.ameya360.com

Contact Us :

➤ Address :

401 Building No.5, JiuGe Business Center, Lane 2301, Yishan Rd
Minhang District, Shanghai , China

➤ Sales :

Direct +86 (21) 6401-6692

Email amall@ameya360.com

QQ 800077892

Skype [ameyasales1](#) [ameyasales2](#)

➤ Customer Service :

Email service@ameya360.com

➤ Partnership :

Tel +86 (21) 64016692-8333

Email mkt@ameya360.com