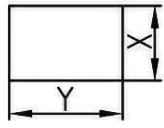
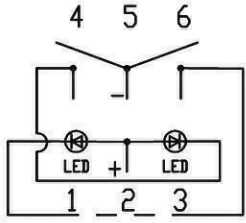
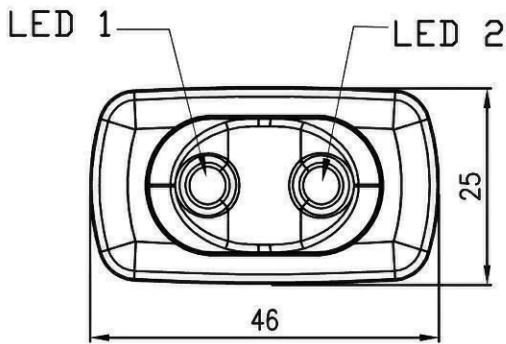
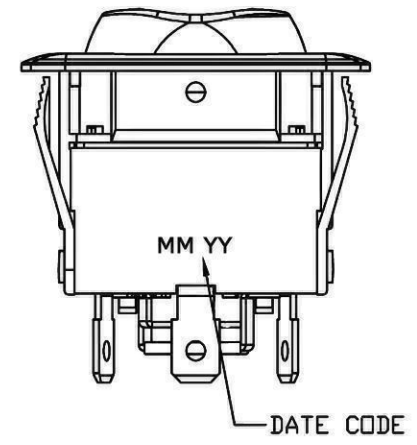
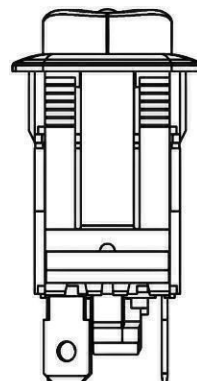
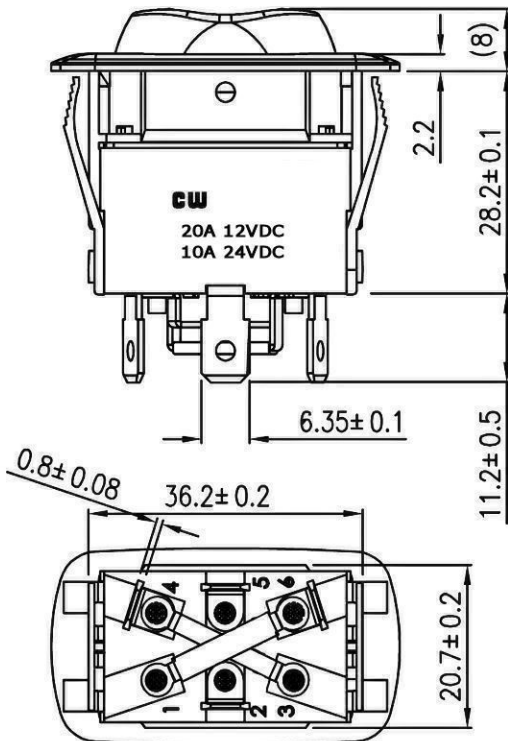


THIS INFORMATION IS CONFIDENTIAL AND PROPRIETARY TO CW INDUSTRIES INCORPORATED AND ITS AFFILIATES. IT MAY NOT BE DISCLOSED TO ANYONE, OTHER THAN CW INDUSTRIES PERSONNEL, WITHOUT WRITTEN AUTHORIZATION FROM CW INDUSTRIES INCORPORATED, SOUTHAMPTON, PENNSYLVANIA USA.

<b>Rating</b>	21A 14VDC													
<b>Contact Resistance</b>	50m ohm Max.													
<b>Insulation Resistance</b>	DC 500V 100M ohm Min.													
<b>Dielectric Strength</b>	AC 1500V 1 minute													
<b>Switch Function</b>	4P SPDT ON-OFF-ON													
<b>Operation Temperature</b>	-20°C~85°C	<table border="1"> <tr> <th>Thickness</th> <th>X</th> <th>Y</th> </tr> <tr> <td>0.75~1.25</td> <td>21.2±0.1</td> <td>36.6±0.1</td> </tr> <tr> <td>1.25~2</td> <td>21.2±0.1</td> <td>36.8±0.1</td> </tr> <tr> <td>2~3</td> <td>21.2±0.1</td> <td>37.0±0.1</td> </tr> </table>	Thickness	X	Y	0.75~1.25	21.2±0.1	36.6±0.1	1.25~2	21.2±0.1	36.8±0.1	2~3	21.2±0.1	37.0±0.1
Thickness	X	Y												
0.75~1.25	21.2±0.1	36.6±0.1												
1.25~2	21.2±0.1	36.8±0.1												
2~3	21.2±0.1	37.0±0.1												



Material:  
 Frame: Black, Nylon#66  
 Actuator: Black, Nylon#66  
 LED 1: Green  
 LED 2: Red  
 Printed: None  
 Water proof and dust proof to fit IP-56



RoHS Compliant

1 SPDT Was SPST & Removed AC Ratings & added DC Ratings. 8/17/10

**CW INDUSTRIES**  
 Southampton, Pa. 18966  
 Tel 215.355.7080/www.cwind.com

Date Drawn: 5/18/10

Rev. 1

Unit: mm

Checked By: G. Guld

Title: **ROCKER SWITCH**

CW P/N: **GRB263D2BBGR2D1**

# AMEYA360

## Components Supply Platform

Authorized Distribution Brand :



Website :

Welcome to visit [www.ameya360.com](http://www.ameya360.com)

Contact Us :

➤ Address :

401 Building No.5, JiuGe Business Center, Lane 2301, Yishan Rd  
Minhang District, Shanghai , China

➤ Sales :

Direct +86 (21) 6401-6692

Email [amall@ameya360.com](mailto:amall@ameya360.com)

QQ 800077892

Skype [ameyasales1](#) [ameyasales2](#)

➤ Customer Service :

Email [service@ameya360.com](mailto:service@ameya360.com)

➤ Partnership :

Tel +86 (21) 64016692-8333

Email [mkt@ameya360.com](mailto:mkt@ameya360.com)