



ELECTRONICS, INC.

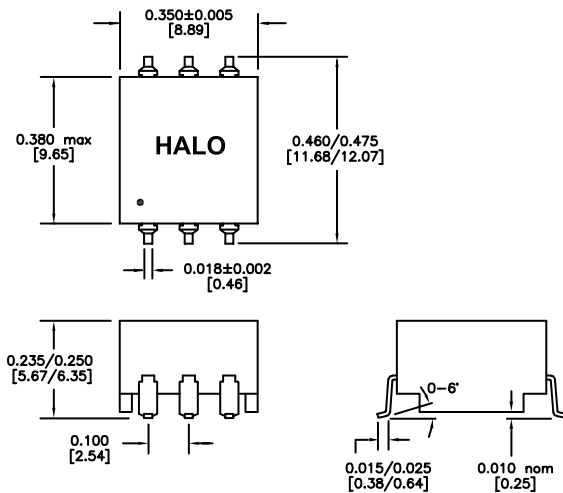
**SMD 1.5KV Isolation Transformers
For Analog Devices Quad Channel Isolators**

The TGAD-NARL series of 6 pin transformers has been designed specifically to work in conjunction with the Analog Devices, Inc. Quad Channel Isolators with integrated transformer drivers. These "Operational" isolation modules are UL/EN60950 recognized for SELV applications. Other series are available with isolation voltages up to 4.5KVrms. Analog Devices is a trademark of Analog Devices Inc. For more information please go to iCoupler_digital_isolation_portfolio.



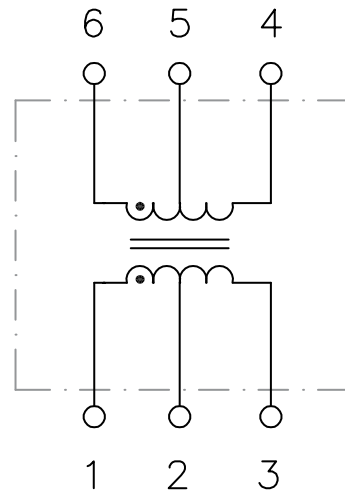
**SMD 1.5KV Isolation Transformers
For Analog Devices Quad Channel Isolators**

TGAD-NARL Package



DIMENSIONS: Inch(mm)
CO-PLANARITY: 0.004(0.102)

Circuit Diagram



Patented Construction

US Pat Nbrs: 5,656,985 6,297,721 B1
6,297,720 B1 6,320,489 B1
6,344,785 B1 6,662,431 B1

Electrical Specifications @ 25°C
Operating Temp: -40 to +85°C
PRI Pins: 1-3
PRI OCL: 389µH typ.
PRI DCR: 0.8Ω



Part Number SMD	Turns Ratio +/-3% PRI : SEC	ET Constant V-us Min*	Isolation Vrms
TGAD-260NARL	1CT:2CT	14	1,500
TGAD-290NARL	1CT:3CT	14	1,500
TGAD-292NARL	1CT:5CT	14	1,500

* Minimum ET Constant over operating temperature range

AMEYA360

Components Supply Platform

Authorized Distribution Brand :



Website :

Welcome to visit www.ameya360.com

Contact Us :

➤ Address :

401 Building No.5, JiuGe Business Center, Lane 2301, Yishan Rd
Minhang District, Shanghai , China

➤ Sales :

Direct +86 (21) 6401-6692

Email amall@ameya360.com

QQ 800077892

Skype [ameyasales1](#) [ameyasales2](#)

➤ Customer Service :

Email service@ameya360.com

➤ Partnership :

Tel +86 (21) 64016692-8333

Email mkt@ameya360.com