



SERIES 320 SWITCHES

TACT SWITCHES



FEATURES & BENEFITS

- ▶ Multiple cap & color options
- ▶ High reliability dome technology
- ▶ Excellent tactile feedback

APPLICATIONS/MARKETS

- ▶ Telecommunications
- ▶ Networking
- ▶ Computers/servers
- ▶ Performance audio
- ▶ Instrumentation
- ▶ Low power on/off designs
- ▶ External hard drives and modems

SPECIFICATIONS

| | |
|------------------------|-------------------------------------|
| Contact Rating: | 25mA @ 50 VDC |
| Life Expectancy: | 1,000,000 cycles min. |
| Contact Resistance: | 50mΩ, max. initial @ 2-4 VDC, 100mA |
| Insulation Resistance: | 1,000MΩ min. |
| Dielectric Strength: | >500 VAC rms at sea level |
| Actuation Force: | 135 ± 50 gf |
| Operating Temperature: | -20°C to 70°C |
| Travel: | .6mm Typ. |

MATERIALS

| | |
|---------------------|----------------------------|
| Housing: | Nylon 4/6 |
| Cover/Cap: | ABS or Polycarbonate |
| Dome Contact: | Gold over stainless steel |
| Terminals/Contacts: | Silver plated copper alloy |



HOW TO ORDER

| CAP STYLE | CIRCUIT | CAP COLOR | ADDITIONAL CAP (Fits over cap styles 320.02 & 320.03 only.) | CAP COLOR |
|---|--|--|---|--|
| <input type="checkbox"/> <input type="checkbox"/> <input type="checkbox"/> <input type="checkbox"/> <input type="checkbox"/> <input type="checkbox"/> | <input type="checkbox"/> <input type="checkbox"/> <input type="checkbox"/> | <input type="checkbox"/> <input type="checkbox"/> <input type="checkbox"/> | <input type="checkbox"/> <input type="checkbox"/> <input type="checkbox"/> <input type="checkbox"/> <input type="checkbox"/> <input type="checkbox"/> <input type="checkbox"/> <input type="checkbox"/> | <input type="checkbox"/> <input type="checkbox"/> <input type="checkbox"/> |
| 320 320.01 320.02 320.03 320.04 320.22 320.08* 320.09* 320.094* 320.2 320.21 | E11 (SPST) | BLK = Black GRY = Grey YEL = Yellow BLU = Blue GRN = Green WHT = White RED = Red | See Cap Section | |



Example Ordering Number

320.08-E1-1-YEL

*Note: Assembled using the 320.02 plungered cap.

Specifications subject to change without notice.

320



SERIES 320 SWITCHES

TACT SWITCHES

TACT SWITCHES

320.01



NAVIGATION SWITCHES

PUSHBUTTON SWITCHES

TOGGLE SWITCHES

320.02



ROCKER SWITCHES

SLIDE SWITCHES

320.03

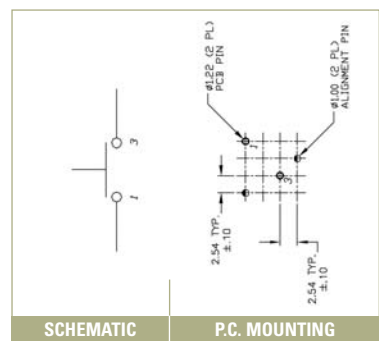


SNAP-ACTION SWITCHES

DIP SWITCHES

KEYLOCK SWITCHES

320.04



ROTARY SWITCHES

DETECTOR SWITCHES

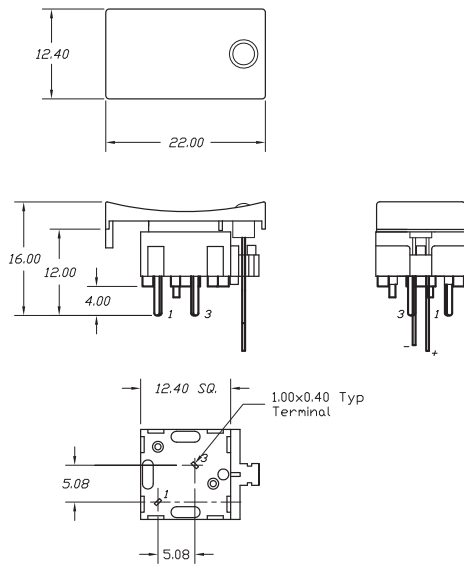
CAP OPTIONS



320.22



320.2



320.21



AMEYA360

Components Supply Platform

Authorized Distribution Brand :



Website :

Welcome to visit www.ameya360.com

Contact Us :

➤ Address :

401 Building No.5, JiuGe Business Center, Lane 2301, Yishan Rd
Minhang District, Shanghai , China

➤ Sales :

Direct +86 (21) 6401-6692

Email amall@ameya360.com

QQ 800077892

Skype [ameyasales1](#) [ameyasales2](#)

➤ Customer Service :

Email service@ameya360.com

➤ Partnership :

Tel +86 (21) 64016692-8333

Email mkt@ameya360.com