

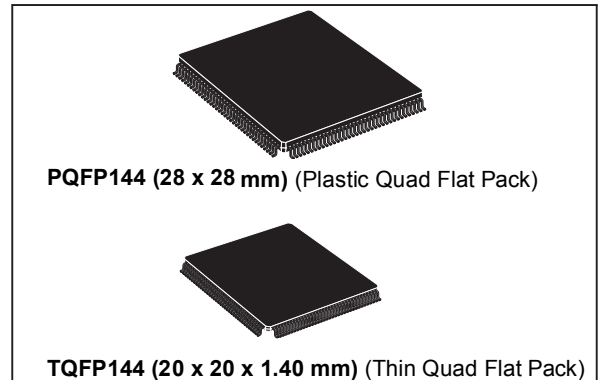


ST10F269Zx

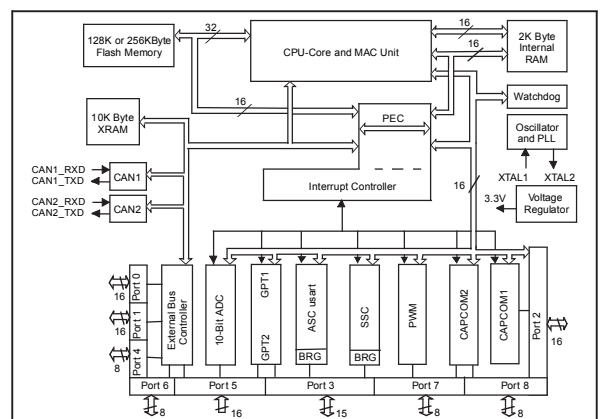
16-BIT MCU WITH MAC UNIT, 128K to 256K BYTE FLASH MEMORY AND 12K BYTE RAM

DATASHEET

- **HIGH PERFORMANCE 32 OR 40 MHZ CPU WITH DSP FUNCTION**
 - 16-bit CPU With 4-stage Pipeline
 - 50ns (or 62.5ns) Instruction Cycle Time at 40MHz (or 32MHz) Max CPU Clock
 - Multiply/accumulate Unit (Mac) 16 X 16-bit Multiplication, 40-bit Accumulator
 - Repeat Unit
 - Enhanced Boolean Bit Manipulation Facilities
 - Additional Instructions to Support HLL and Operating Systems
 - Single-cycle Context Switching Support
- **MEMORY ORGANIZATION**
 - 128K or 256K Byte On-chip Flash Memory Single Voltage With Erase/program Controller
 - Up to 1K Erasing/programming Cycles
 - Up to 16 MByte Linear Address Space For Code And Data (5 MBytes With CAN)
 - 2K Byte On-chip Internal RAM (IRAM)
 - 10K Byte On-chip Extension RAM (XRAM)
- **FAST AND FLEXIBLE BUS**
 - Programmable External Bus Characteristics for Different Address Ranges
 - 8-bit or 16-bit External Data Bus
 - Multiplexed or Demultiplexed External Address/data Buses
 - Five Programmable Chip-select Signals
 - Hold-acknowledge Bus Arbitration Support
- **INTERRUPT**
 - 8-channel Peripheral Event Controller for Single Cycle Interrupt Driven Data Transfer
 - 16-priority-level Interrupt System with 56 Sources, Sampling Rate Down to 25ns at 40MHz (31.25ns at 32MHz)
- **TIMERS**
 - Two Multi-functional General Purpose Timer Units with 5 Timers
- **TWO 16-CHANNEL CAPTURE / COMPARE UNITS**
- **A/D CONVERTER**
 - 16-channel 10-bit
 - 4.85µs Conversion Time at 40MHz CPU Clock (6.06µs at 32MHz)
- **4-CHANNEL PWM UNIT**
- **SERIAL CHANNELS**
 - Synchronous / Asynchronous Serial Channel
 - High-speed Synchronous Channel



- **TWO CAN 2.0B INTERFACES OPERATING ON ONE OR TWO CAN BUSES (30 OR 2x15 MESSAGE OBJECTS)**
- **FAIL-SAFE PROTECTION**
 - Programmable Watchdog Timer
 - Oscillator Watchdog
- **ON-CHIP BOOTSTRAP LOADER**
- **CLOCK GENERATION**
 - On-chip PLL
 - Direct or Prescaled Clock Input
- **REAL TIME CLOCK**
- **UP TO 111 GENERAL PURPOSE I/O LINES**
 - Individually Programmable as Input, Output or Special Function
 - Programmable Threshold (Hysteresis)
- **IDLE AND POWER DOWN MODES**
- **SINGLE VOLTAGE SUPPLY: 5V ±10% (EMBEDDED REGULATOR FOR 2.7 or 3.3 V CORE SUPPLY).**
- **TEMPERATURE RANGES: -40 +125°C / -40 to 85°C**
- **144-PIN PQFP/TQFP PACKAGES**



ST10F269

| | | |
|-----------|---|----|
| 1 - | Introduction | 6 |
| 2 - | Pin Data | 7 |
| 3 - | Functional Description | 13 |
| 4 - | Memory Organization | 14 |
| 5 - | Internal Flash Memory | 17 |
| 5.1 - | OVERVIEW | 17 |
| 5.2 - | OPERATIONAL OVERVIEW | 17 |
| 5.3 - | ARCHITECTURAL DESCRIPTION | 19 |
| 5.3.1 - | Read Mode | 19 |
| 5.3.2 - | Command Mode | 19 |
| 5.3.3 - | Ready/Busy Signal | 19 |
| 5.3.4 - | Flash Status Register | 19 |
| 5.3.5 - | Flash Protection Register | 21 |
| 5.3.6 - | Instructions Description | 21 |
| 5.3.7 - | Reset Processing and Initial State | 26 |
| 5.4 - | FLASH MEMORY CONFIGURATION | 26 |
| 5.5 - | APPLICATION EXAMPLES | 26 |
| 5.5.1 - | Handling of Flash Addresses | 26 |
| 5.5.2 - | Basic Flash Access Control | 27 |
| 5.5.3 - | Programming Examples | 28 |
| 5.6 - | BOOTSTRAP LOADER | 31 |
| 5.6.1 - | Entering the Bootstrap Loader | 31 |
| 5.6.2 - | Memory Configuration After Reset | 32 |
| 5.6.3 - | Loading the Startup Code | 33 |
| 5.6.4 - | Exiting Bootstrap Loader Mode | 33 |
| 5.6.5 - | Choosing the Baud Rate for the BSL | 34 |
| 6 - | Central Processing Unit (CPU) | 35 |
| 6.1 - | MULTIPLIER-ACCUMULATOR UNIT (MAC) | 36 |
| 6.1.1 - | Features | 37 |
| 6.1.1.1 - | Enhanced Addressing Capabilities | 37 |
| 6.1.1.2 - | Multiply-Accumulate Unit | 37 |
| 6.1.1.3 - | Program Control | 37 |
| 6.2 - | INSTRUCTION SET SUMMARY | 38 |
| 6.3 - | MAC COPROCESSOR SPECIFIC INSTRUCTIONS | 39 |
| 7 - | External Bus Controller | 43 |
| 7.1 - | PROGRAMMABLE CHIP SELECT TIMING CONTROL | 43 |
| 7.2 - | READY PROGRAMMABLE POLARITY | 43 |
| 8 - | Interrupt System | 45 |
| 8.1 - | EXTERNAL INTERRUPTS | 45 |
| 8.2 - | INTERRUPT REGISTERS AND VECTORS LOCATION LIST | 46 |
| 8.3 - | INTERRUPT CONTROL REGISTERS | 47 |

| TABLE OF CONTENTS | | PAGE |
|-------------------|--|------|
| 8.4 - | EXCEPTION AND ERROR TRAPS LIST | 48 |
| 9 - | Capture/Compare (CAPCOM) Units | 49 |
| 10 - | General Purpose Timer Unit | 52 |
| 10.1 - | GPT1 | 52 |
| 10.2 - | GPT2 | 53 |
| 11 - | PWM Module | 56 |
| 12 - | Parallel Ports | 57 |
| 12.1 - | INTRODUCTION | 57 |
| 12.2 - | I/O'S SPECIAL FEATURES | 59 |
| 12.2.1 - | Open Drain Mode | 59 |
| 12.2.2 - | Input Threshold Control | 59 |
| 12.2.3 - | Output Driver Control | 60 |
| 12.2.4 - | Alternate Port Functions | 62 |
| 12.3 - | PORT0 | 63 |
| 12.3.1 - | Alternate Functions of PORT0 | 64 |
| 12.4 - | PORT1 | 66 |
| 12.4.1 - | Alternate Functions of PORT1 | 66 |
| 12.5 - | PORT 2 | 68 |
| 12.5.1 - | Alternate Functions of Port 2 | 68 |
| 12.6 - | PORT 3 | 71 |
| 12.6.1 - | Alternate Functions of Port 3 | 73 |
| 12.7 - | PORT 4 | 76 |
| 12.7.1 - | Alternate Functions of Port 4 | 77 |
| 12.8 - | PORT 5 | 80 |
| 12.8.1 - | Alternate Functions of Port 5 | 81 |
| 12.8.2 - | Port 5 Schmitt Trigger Analog Inputs | 82 |
| 12.9 - | PORT 6 | 82 |
| 12.9.1 - | Alternate Functions of Port 6 | 83 |
| 12.10 - | PORT 7 | 86 |
| 12.10.1 - | Alternate Functions of Port 7 | 87 |
| 12.11 - | PORT 8 | 90 |
| 12.11.1 - | Alternate Functions of Port 8 | 91 |
| 13 - | A/D Converter | 93 |
| 14 - | Serial Channels | 95 |
| 14.1 - | ASYNCHRONOUS / SYNCHRONOUS SERIAL INTERFACE (ASCO) | 95 |
| 14.1.1 - | ASCO in Asynchronous Mode | 95 |
| 14.1.2 - | ASCO in Synchronous Mode | 98 |
| 14.2 - | HIGH SPEED SYNCHRONOUS SERIAL CHANNEL (SSC) | 101 |
| 15 - | CAN Modules | 103 |
| 15.1 - | CAN MODULES MEMORY MAPPING | 103 |
| 15.1.1 - | CAN1 | 103 |
| 15.1.2 - | CAN2 | 103 |
| 15.2 - | CAN BUS CONFIGURATIONS | 103 |

| TABLE OF CONTENTS | | PAGE |
|-------------------|---|------|
| 16 - | Real Time Clock | 105 |
| 16.1 - | RTC REGISTERS | 106 |
| 16.1.1 - | RTCCON: RTC Control Register | 106 |
| 16.1.2 - | RTCPH & RTCPL: RTC PRESCALER Registers | 108 |
| 16.1.3 - | RTCDH & RTCDL: RTC DIVIDER Counters | 108 |
| 16.1.4 - | RTCH & RTCL: RTC Programmable COUNTER Registers | 109 |
| 16.1.5 - | RTCAH & RTCAL: RTC ALARM Registers | 110 |
| 16.2 - | PROGRAMMING THE RTC | 110 |
| 17 - | Watchdog Timer | 112 |
| 18 - | System Reset | 114 |
| 18.1 - | LONG HARDWARE RESET | 114 |
| 18.1.1 - | Asynchronous Reset | 114 |
| 18.1.2 - | Synchronous Reset (RSTIN pulse > 1040TCL and RPD pin at high level) | 115 |
| 18.1.3 - | Exit of Long Hardware Reset | 116 |
| 18.2 - | SHORT HARDWARE RESET | 116 |
| 18.3 - | SOFTWARE RESET | 117 |
| 18.4 - | WATCHDOG TIMER RESET | 117 |
| 18.5 - | RSTOUT, RSTIN, BIDIRECTIONAL RESET | 118 |
| 18.5.1 - | RSTOUT Pin | 118 |
| 18.5.2 - | Bidirectional Reset | 118 |
| 18.5.3 - | RSTIN pin | 118 |
| 18.6 - | RESET CIRCUITRY | 118 |
| 19 - | Power Reduction Modes | 122 |
| 19.1 - | IDLE MODE | 122 |
| 19.2 - | POWER DOWN MODE | 122 |
| 19.2.1 - | Protected Power Down Mode | 122 |
| 19.2.2 - | Interruptible Power Down Mode | 122 |
| 20 - | Special Function Register Overview | 125 |
| 20.1 - | IDENTIFICATION REGISTERS | 131 |
| 20.2 - | SYSTEM CONFIGURATION REGISTERS | 132 |
| 21 - | Electrical Characteristics | 139 |
| 21.1 - | ABSOLUTE MAXIMUM RATINGS | 139 |
| 21.2 - | PARAMETER INTERPRETATION | 139 |
| 21.3 - | DC CHARACTERISTICS | 139 |
| 21.3.1 - | A/D Converter Characteristics | 144 |
| 21.3.2 - | Conversion Timing Control | 145 |
| 21.4 - | AC CHARACTERISTICS | 146 |
| 21.4.1 - | Test Waveforms | 146 |
| 21.4.2 - | Definition of Internal Timing | 146 |
| 21.4.3 - | Clock Generation Modes | 148 |
| 21.4.4 - | Prescaler Operation | 149 |
| 21.4.5 - | Direct Drive | 149 |
| 21.4.6 - | Oscillator Watchdog (OWD) | 149 |

| TABLE OF CONTENTS | PAGE |
|--|------|
| 21.4.7 - Phase Locked Loop | 149 |
| 21.4.8 - External Clock Drive XTAL1 | 150 |
| 21.4.9 - Memory Cycle Variables | 151 |
| 21.4.10 - Multiplexed Bus | 152 |
| 21.4.11 - Demultiplexed Bus | 160 |
| 21.4.12 - CLKOUT and READY | 168 |
| 21.4.13 - External Bus Arbitration | 171 |
| 21.4.14 - High-Speed Synchronous Serial Interface (SSC) Timing | 174 |
| 21.4.14.1 Master Mode | 174 |
| 21.4.14.2 Slave mode | 175 |
| 22 - Package Mechanical Data | 178 |
| 23 - Ordering Information | 180 |

ERRATA SHEET

| | |
|--|-----|
| 1 - DESCRIPTION | 181 |
| 2 - FUNCTIONAL PROBLEMS | 181 |
| 2.1 - PWRDN.1 - EXECUTION OF PWRDN INSTRUCTION | 181 |
| 2.2 - MAC.9 - COCMP INSTRUCTION INVERTED OPERANDS | 182 |
| 2.3 - MAC.10 - E FLAG EVALUATION FOR COSHR AND COASHR INSTRUCTIONS WHEN SATURATION MODE IS ENABLED | 182 |
| 2.4 - ST_PORT.3 - BAD BEHAVIOR OF HYSTERESIS FUNCTION ON INPUT FALLING EDGE | 183 |
| 3 - DEVIATIONS FROM DC/AC PRELIMINARY SPECIFICATION | 183 |
| 4 - ERRATA SHEET VERSION INFORMATION | 183 |

1 - INTRODUCTION

The ST10F269 is a derivative of the STMicroelectronics ST10 family of 16-bit single-chip CMOS microcontrollers. It combines high CPU performance (up to 20 million instructions per second) with high peripheral functionality and enhanced I/O-capabilities. It also provides on-chip high-speed single voltage Flash memory, on-chip high-speed RAM, and clock generation via PLL.

ST10F269 is processed in 0.35µm CMOS technology. The MCU core and the logic is supplied with a 5V to 3.3V on chip voltage regulator on PQFP144 devices (or 5V to 2.7V on TQFP144 devices). The part is supplied with a single 5V supply and I/Os work at 5V.

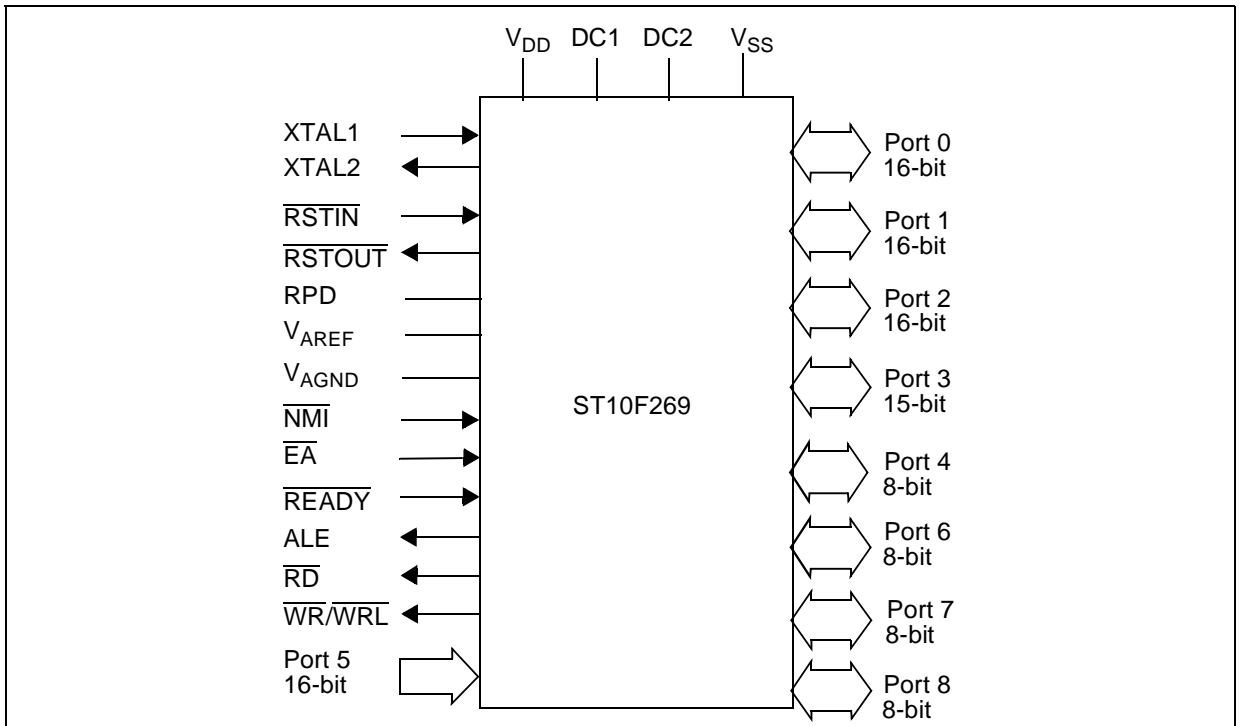
The device is upward compatible with the ST10F168 device, with the following set of differences:

- The Multiply/Accumulate unit is available as standard. This MAC unit adds powerful DSP functions to the ST10 architecture, but maintains full compatibility for existing code.
- Flash control interface is now based on STMicroelectronics third generation of stand-alone Flash memories, with an embedded Erase/Program Controller. This completely

frees up the CPU during programming or erasing the Flash.

- 128-KByte Flash Option
- Two dedicated pins (DC1 and DC2) on the 144-pin package are used for decoupling the internally generated 3.3V (or 2.7V on TQFP144 devices) core logic supply. **Do not connect these two pins to 5.0V external supply.** Instead, these pins should be connected to a decoupling capacitor (ceramic type, value ≥ 330 nF).
- The A/D Converter characteristics are different from previous ST10 derivatives ones. Refer to *Section 21.3.1* -.
- The AC and DC parameters are adapted to the 40MHz maximum CPU frequency on PQFP144 devices (32MHz on TQFP144 devices). The characterization is performed with $C_L = 50pF$ max on output pins. Refer to *Section 21.3* -.
- In order to reduce EMC, the rise/fall time and the sink/source capability of the drivers of the I/O pads are programmable. Refer to *Section 12.2* -.
- The Real Time Clock functionality is added.
- The external interrupt sources can be selected with the EXISEL register.
- The reset source is identified by a dedicated status bit in the WDTCON register.

Figure 1 : Logic Symbol



2 - PIN DATA

Figure 2 : Pin Configuration (top view)

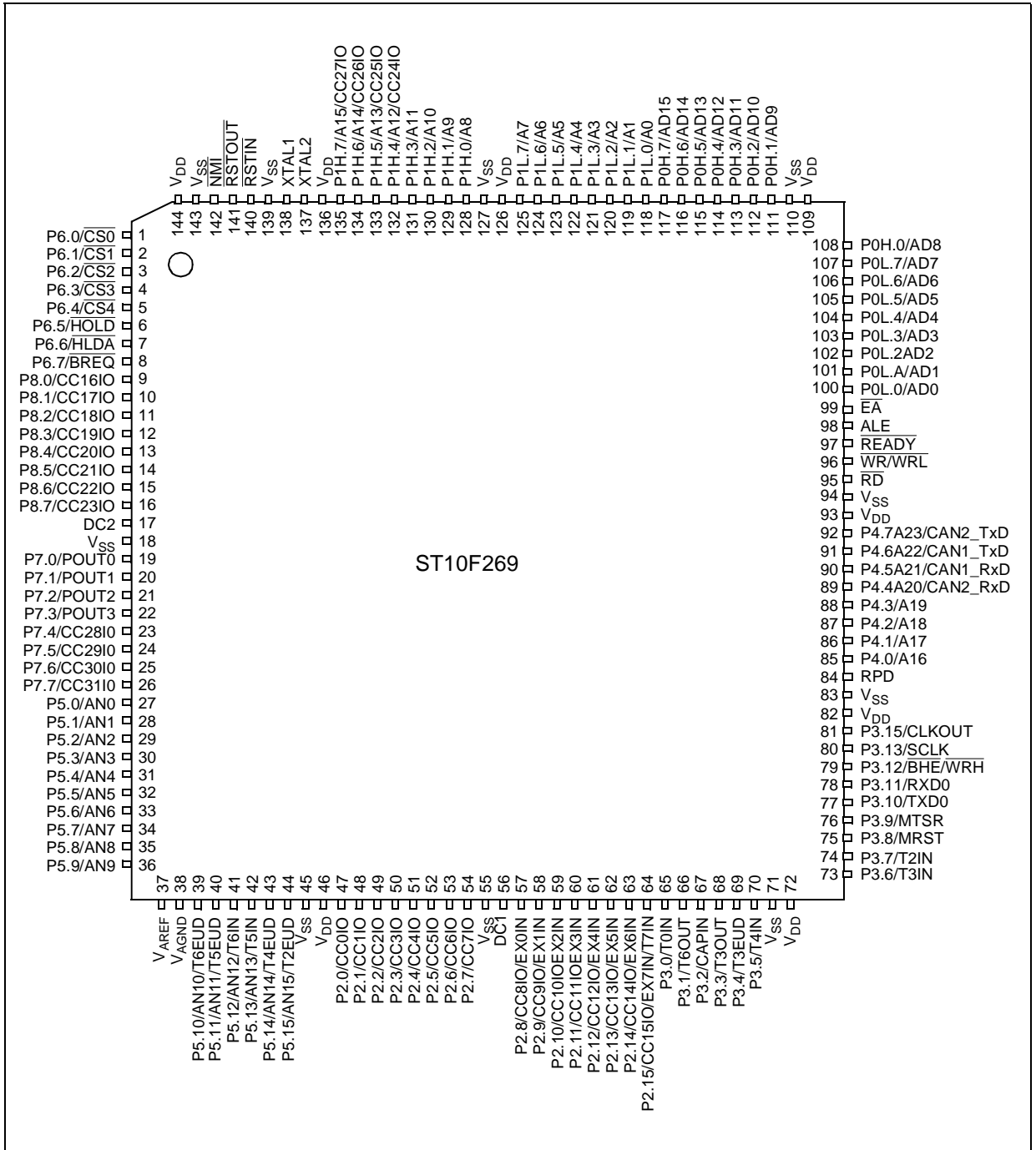


Table 1 : Pin Description

| Symbol | Pin | Type | Function |
|------------------------------|----------------|--------|---|
| P6.0 - P6.7 | 1 - 8 | I/O | 8-bit bidirectional I/O port, bit-wise programmable for input or output via direction bit. Programming an I/O pin as input forces the corresponding output driver to high impedance state. Port 6 outputs can be configured as push-pull or open drain drivers. The following Port 6 pins have alternate functions: |
| | 1 | O | P6.0 $\overline{CS0}$ Chip Select 0 Output |
| | ... | ... | |
| | 5 | O | P6.4 $\overline{CS4}$ Chip Select 4 Output |
| | 6 | I | P6.5 \overline{HOLD} External Master Hold Request Input |
| | 7 | O | P6.6 \overline{HLDA} Hold Acknowledge Output |
| | 8 | O | P6.7 \overline{BREQ} Bus Request Output |
| P8.0 - P8.7 | 9-16 | I/O | 8-bit bidirectional I/O port, bit-wise programmable for input or output via direction bit. Programming an I/O pin as input forces the corresponding output driver to high impedance state. Port 8 outputs can be configured as push-pull or open drain drivers. The input threshold of Port 8 is selectable (TTL or special). The following Port 8 pins have alternate functions: |
| | 9 | I/O | P8.0 CC16IO CAPCOM2: CC16 Capture Input / Compare Output |
| | ... | ... | |
| | 16 | I/O | P8.7 CC23IO CAPCOM2: CC23 Capture Input / Compare Output |
| P7.0 - P7.7 | 19-26 | I/O | 8-bit bidirectional I/O port, bit-wise programmable for input or output via direction bit. Programming an I/O pin as input forces the corresponding output driver to high impedance state. Port 7 outputs can be configured as push-pull or open drain drivers. The input threshold of Port 7 is selectable (TTL or special). The following Port 7 pins have alternate functions: |
| | 19 | O | P7.0 POUT0 PWM Channel 0 Output |
| | ... | ... | |
| | 22 | O | P7.3 POUT3 PWM Channel 3 Output |
| | 23 | I/O | P7.4 CC28IO CAPCOM2: CC28 Capture Input / Compare Output |
| | ... | ... | |
| | 26 | I/O | P7.7 CC31IO CAPCOM2: CC31 Capture Input / Compare Output |
| P5.0 - P5.9 P5.10 - P5.15 | 27-36 39-44 | I I | 16-bit input-only port with Schmitt-Trigger characteristics. The pins of Port 5 can be the analog input channels (up to 16) for the A/D converter, where P5.x equals ANx (Analog input channel x), or they are timer inputs: |
| | 39 | I | P5.10 T6EUD GPT2 Timer T6 External Up / Down Control Input |
| | 40 | I | P5.11 T5EUD GPT2 Timer T5 External Up / Down Control Input |
| | 41 | I | P5.12 T6IN GPT2 Timer T6 Count Input |
| | 42 | I | P5.13 T5IN GPT2 Timer T5 Count Input |
| | 43 | I | P5.14 T4EUD GPT1 Timer T4 External Up / Down Control Input |
| | 44 | I | P5.15 T2EUD GPT1 Timer T2 External Up / Down Control Input |

| Symbol | Pin | Type | Function | | |
|---------------------------------------|------------------------|-------------------|--|-------------------------|---|
| P2.0 - P2.7 P2.8 - P2.15 | 47-54 57-64 | I/O | 16-bit bidirectional I/O port, bit-wise programmable for input or output via direction bit. Programming an I/O pin as input forces the corresponding output driver to high impedance state. Port 2 outputs can be configured as push-pull or open drain drivers. The input threshold of Port 2 is selectable (TTL or special). The following Port 2 pins have alternate functions: | | |
| | 47 | I/O | P2.0 | CC0IO | CAPCOM: CC0 Capture Input / Compare Output |
| | ... | ... | ... | ... | ... |
| | 54 | I/O | P2.7 | CC7IO | CAPCOM: CC7 Capture Input / Compare Output |
| | 57 | I/O | P2.8 | CC8IO | CAPCOM: CC8 Capture Input / Compare Output |
| | | I | | EX0IN | Fast External Interrupt 0 Input |
| | ... | ... | ... | ... | ... |
| | 64 | I/O | P2.15 | CC15IO | CAPCOM: CC15 Capture Input / Compare Output |
| | | I | | EX7IN | Fast External Interrupt 7 Input |
| | | I | | T7IN | CAPCOM2 Timer T7 Count Input |
| P3.0 - P3.5 P3.6 - P3.13, P3.15 | 65-70, 73-80, 81 | I/O I/O I/O | 15-bit (P3.14 is missing) bidirectional I/O port, bit-wise programmable for input or output via direction bit. Programming an I/O pin as input forces the corresponding output driver to high impedance state. Port 3 outputs can be configured as push-pull or open drain drivers. The input threshold of Port 3 is selectable (TTL or special). The following Port 3 pins have alternate functions: | | |
| | 65 | I | P3.0 | T0IN | CAPCOM Timer T0 Count Input |
| | 66 | O | P3.1 | T6OUT | GPT2 Timer T6 Toggle Latch Output |
| | 67 | I | P3.2 | CAPIN | GPT2 Register CAPREL Capture Input |
| | 68 | O | P3.3 | T3OUT | GPT1 Timer T3 Toggle Latch Output |
| | 69 | I | P3.4 | T3EUD | GPT1 Timer T3 External Up / Down Control Input |
| | 70 | I | P3.5 | T4IN | GPT1 Timer T4 Input for Count / Gate / Reload / Capture |
| | 73 | I | P3.6 | T3IN | GPT1 Timer T3 Count / Gate Input |
| | 74 | I | P3.7 | T2IN | GPT1 Timer T2 Input for Count / Gate / Reload / Capture |
| | 75 | I/O | P3.8 | MRST | SSC Master-Receiver / Slave-Transmitter I/O |
| | 76 | I/O | P3.9 | MTSR | SSC Master-Transmitter / Slave-Receiver O/I |
| | 77 | O | P3.10 | TxD0 | ASC0 Clock / Data Output (Asynchronous / Synchronous) |
| | 78 | I/O | P3.11 | RxD0 | ASC0 Data Input (Asynchronous) or I/O (Synchronous) |
| | 79 | O | P3.12 | $\overline{\text{BHE}}$ | External Memory High Byte Enable Signal |
| | | | | $\overline{\text{WRH}}$ | External Memory High Byte Write Strobe |
| | 80 | I/O | P3.13 | SCLK | SSC Master Clock Output / Slave Clock Input |
| | 81 | O | P3.15 | CLKOUT | System Clock Output (=CPU Clock) |

| Symbol | Pin | Type | Function |
|---------------------|-------|------|--|
| P4.0 –P4.7 | 85-92 | I/O | Port 4 is an 8-bit bidirectional I/O port. It is bit-wise programmable for input or output via direction bit. Programming an I/O pin as input forces the corresponding output driver to high impedance state. The input threshold is selectable (TTL or special). Port 4.6 & 4.7 outputs can be configured as push-pull or open drain drivers. In case of an external bus configuration, Port 4 can be used to output the segment address lines: |
| | 85 | O | P4.0 A16 Segment Address Line |
| | 86 | O | P4.1 A17 Segment Address Line |
| | 87 | O | P4.2 A18 Segment Address Line |
| | 88 | O | P4.3 A19 Segment Address Line |
| | 89 | O | P4.4 A20 Segment Address Line |
| | | I | CAN2_RxD CAN2 Receive Data Input |
| | 90 | O | P4.5 A21 Segment Address Line |
| | | I | CAN1_RxD CAN1 Receive Data Input |
| | 91 | O | P4.6 A22 Segment Address Line |
| | | O | CAN1_TxD CAN1 Transmit Data Output |
| | 92 | O | P4.7 A23 Most Significant Segment Address Line |
| | | O | CAN2_TxD CAN2 Transmit Data Output |
| \overline{RD} | 95 | O | External Memory Read Strobe. \overline{RD} is activated for every external instruction or data read access. |
| $\overline{WR/WRL}$ | 96 | O | External Memory Write Strobe. In \overline{WR} -mode this pin is activated for every external data write access. In \overline{WRL} mode this pin is activated for low Byte data write accesses on a 16-bit bus, and for every data write access on an 8-bit bus. See WRCFG in the SYSCON register for mode selection. |
| READY/ READY | 97 | I | Ready Input. The active level is programmable. When the Ready function is enabled, the selected inactive level at this pin, during an external memory access, will force the insertion of waitstate cycles until the pin returns to the selected active level. |
| ALE | 98 | O | Address Latch Enable Output. In case of use of external addressing or of multiplexed mode, this signal is the latch command of the address lines. |
| \overline{EA} | 99 | I | External Access Enable pin. A low level applied to this pin during and after Reset forces the ST10F269 to start the program from the external memory space. A high level forces the MCU to start in the internal memory space. |

| Symbol | Pin | Type | Function | | | | | | | | | | | | | | | | | | | | |
|--|-----------------------------|------------|--|-----------------------------|-------|--------|----------------|-----------------------------|---------|---------------|-------|----------|-----------------------------|-------|--------|----------------|-----------|-----------------------------|---------------|----------|------------|--------|-----------------------------|
| P0L.0 - P0L.7, P0H.0 P0H.1 - P0H.7 | 100-107, 108, 111-117 | I/O | <p>Two 8-bit bidirectional I/O ports P0L and P0H, bit-wise programmable for input or output via direction bit. Programming an I/O pin as input forces the corresponding output driver to high impedance state.</p> <p>In case of an external bus configuration, PORT0 serves as the address (A) and as the address / data (AD) bus in multiplexed bus modes and as the data (D) bus in demultiplexed bus modes.</p> <p>Demultiplexed bus modes</p> <table> <tr> <td>Data Path Width:</td> <td>8-bit</td> <td>16-bit</td> </tr> <tr> <td>P0L.0 – P0L.7:</td> <td>D0 – D7</td> <td>D0 - D7</td> </tr> <tr> <td>P0H.0 – P0H.7</td> <td>I/O</td> <td>D8 - D15</td> </tr> </table> <p>Multiplexed bus modes</p> <table> <tr> <td>Data Path Width:</td> <td>8-bit</td> <td>16-bit</td> </tr> <tr> <td>P0L.0 – P0L.7:</td> <td>AD0 – AD7</td> <td>AD0 - AD7</td> </tr> <tr> <td>P0H.0 – P0H.7</td> <td>A8 – A15</td> <td>AD8 - AD15</td> </tr> </table> | Data Path Width: | 8-bit | 16-bit | P0L.0 – P0L.7: | D0 – D7 | D0 - D7 | P0H.0 – P0H.7 | I/O | D8 - D15 | Data Path Width: | 8-bit | 16-bit | P0L.0 – P0L.7: | AD0 – AD7 | AD0 - AD7 | P0H.0 – P0H.7 | A8 – A15 | AD8 - AD15 | | |
| Data Path Width: | 8-bit | 16-bit | | | | | | | | | | | | | | | | | | | | | |
| P0L.0 – P0L.7: | D0 – D7 | D0 - D7 | | | | | | | | | | | | | | | | | | | | | |
| P0H.0 – P0H.7 | I/O | D8 - D15 | | | | | | | | | | | | | | | | | | | | | |
| Data Path Width: | 8-bit | 16-bit | | | | | | | | | | | | | | | | | | | | | |
| P0L.0 – P0L.7: | AD0 – AD7 | AD0 - AD7 | | | | | | | | | | | | | | | | | | | | | |
| P0H.0 – P0H.7 | A8 – A15 | AD8 - AD15 | | | | | | | | | | | | | | | | | | | | | |
| P1L.0 - P1L.7 P1H.0 - P1H.7 | 118-125 128-135 | I/O | <p>Two 8-bit bidirectional I/O ports P1L and P1H, bit-wise programmable for input or output via direction bit. Programming an I/O pin as input forces the corresponding output driver to high impedance state. PORT1 is used as the 16-bit address bus (A) in demultiplexed bus modes and also after switching from a demultiplexed bus mode to a multiplexed bus mode.</p> <p>The following PORT1 pins have alternate functions:</p> <table> <tr> <td>132</td> <td>I</td> <td>P1H.4</td> <td>CC24IO</td> <td>CAPCOM2: CC24 Capture Input</td> </tr> <tr> <td>133</td> <td>I</td> <td>P1H.5</td> <td>CC25IO</td> <td>CAPCOM2: CC25 Capture Input</td> </tr> <tr> <td>134</td> <td>I</td> <td>P1H.6</td> <td>CC26IO</td> <td>CAPCOM2: CC26 Capture Input</td> </tr> <tr> <td>135</td> <td>I</td> <td>P1H.7</td> <td>CC27IO</td> <td>CAPCOM2: CC27 Capture Input</td> </tr> </table> | 132 | I | P1H.4 | CC24IO | CAPCOM2: CC24 Capture Input | 133 | I | P1H.5 | CC25IO | CAPCOM2: CC25 Capture Input | 134 | I | P1H.6 | CC26IO | CAPCOM2: CC26 Capture Input | 135 | I | P1H.7 | CC27IO | CAPCOM2: CC27 Capture Input |
| 132 | I | P1H.4 | CC24IO | CAPCOM2: CC24 Capture Input | | | | | | | | | | | | | | | | | | | |
| 133 | I | P1H.5 | CC25IO | CAPCOM2: CC25 Capture Input | | | | | | | | | | | | | | | | | | | |
| 134 | I | P1H.6 | CC26IO | CAPCOM2: CC26 Capture Input | | | | | | | | | | | | | | | | | | | |
| 135 | I | P1H.7 | CC27IO | CAPCOM2: CC27 Capture Input | | | | | | | | | | | | | | | | | | | |
| XTAL1 XTAL2 | 138 137 | I O | <p>XTAL1 Oscillator amplifier and/or external clock input.</p> <p>XTAL2 Oscillator amplifier circuit output.</p> <p>To clock the device from an external source, drive XTAL1 while leaving XTAL2 unconnected. Minimum and maximum high / low and rise / fall times specified in the AC Characteristics must be observed.</p> | | | | | | | | | | | | | | | | | | | | |
| RSTIN | 140 | I | Reset Input with Schmitt-Trigger characteristics. A low level at this pin for a specified duration while the oscillator is running resets the ST10F269. An internal pull-up resistor permits power-on reset using only a capacitor connected to V _{SS} . In bidirectional reset mode (enabled by setting bit BDRSTEN in SYSCON register), the RSTIN line is pulled low for the duration of the internal reset sequence. | | | | | | | | | | | | | | | | | | | | |
| RSTOUT | 141 | O | Internal Reset Indication Output. This pin is driven to a low level during hardware, software or watchdog timer reset. RSTOUT remains low until the EINIT (end of initialization) instruction is executed. | | | | | | | | | | | | | | | | | | | | |
| NMI | 142 | I | Non-Maskable Interrupt Input. A high to low transition at this pin causes the CPU to vector to the NMI trap routine. If bit PWDCFG = '0' in SYSCON register, when the PWRDN (power down) instruction is executed, the NMI pin must be low in order to force the ST10F269 to go into power down mode. If NMI is high and PWDCFG = '0', when PWRDN is executed, the part will continue to run in normal mode. If not used, pin NMI should be pulled high externally. | | | | | | | | | | | | | | | | | | | | |
| V _{AREF} | 37 | - | A/D converter reference voltage. | | | | | | | | | | | | | | | | | | | | |
| V _{AGND} | 38 | - | A/D converter reference ground. | | | | | | | | | | | | | | | | | | | | |
| RPD | 84 | - | Timing pin for the return from interruptible powerdown mode and synchronous / asynchronous reset selection. | | | | | | | | | | | | | | | | | | | | |

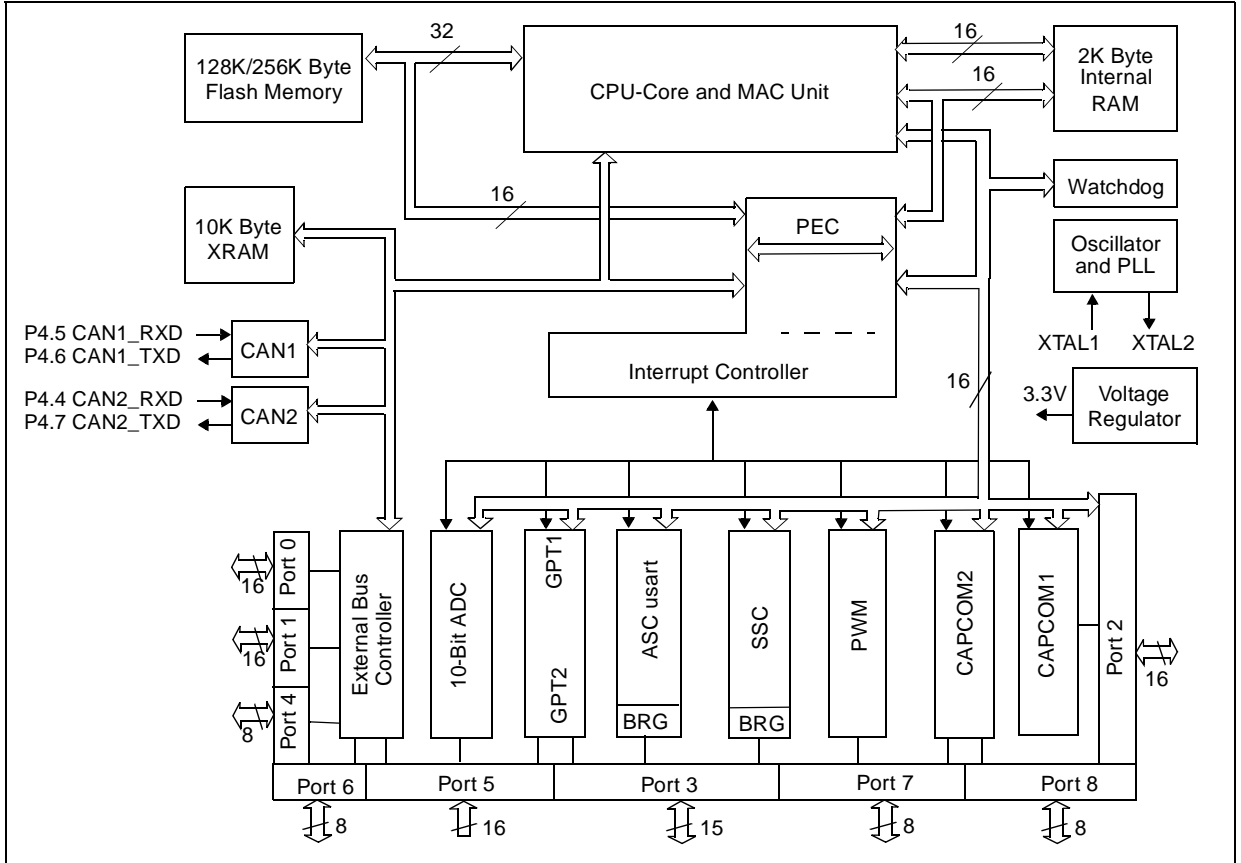
| Symbol | Pin | Type | Function |
|------------|--|--------|---|
| V_{DD} | 46, 72, 82,93, 109, 126, 136, 144 | - | Digital Supply Voltage: = + 5V during normal operation and idle mode. |
| V_{SS} | 18,45, 55,71, 83,94, 110, 127, 139, 143 | - | Digital Ground. |
| DC1 DC2 | 56 17 | - - | 3.3V Decoupling pin (2.7V on TQFP144 devices): a decoupling capacitor of ≥ 330 nF must be connected between this pin and nearest V_{SS} pin. |

3 - FUNCTIONAL DESCRIPTION

The architecture of the ST10F269 combines advantages of both RISC and CISC processors and an advanced peripheral subsystem. The

block diagram gives an overview of the different on-chip components and the high bandwidth internal bus structure of the ST10F269.

Figure 3 : Block Diagram



4 - MEMORY ORGANIZATION

The memory space of the ST10F269 is configured in a unified memory architecture. Code memory, data memory, registers and I/O ports are organized within the same linear address space of 16M Bytes. The entire memory space can be accessed Byte wise or Word wise. Particular portions of the on-chip memory have additionally been made directly bit addressable.

Flash: 128K or 256K Bytes of on-chip Flash memory.

IRAM: 2K Bytes of on-chip internal RAM (dual-port) is provided as a storage for data, system stack, general purpose register banks and code. A register bank is 16 Wordwide (R0 to R15) and / or Byte-wide (RL0, RH0, ..., RL7, RH7) general purpose registers.

XRAM: 10K Bytes of on-chip extension RAM (single port XRAM) is provided as a storage for data, user stack and code.

The XRAM is divided into 2 areas, the first 2K Bytes named XRAM1 and the second 8K Bytes named XRAM2, connected to the internal XBUS and are accessed like an external memory in 16-bit demultiplexed bus-mode without wait state or read/write delay (50ns access at 40MHz CPU clock on PQFP144 devices and 62.5ns access at 32MHz CPU clock on TQFP144 devices). Byte and Word accesses are allowed.

The XRAM1 address range is 00'E000h - 00'E7FFh if XPEN (bit 2 of SYSCON register), and XRAM1EN (bit 2 of XPERCON register) are set. If XRAM1EN or XPEN is cleared, then any access in the address range 00'E000h - 00'E7FFh will be directed to external memory interface, using the BUSCONx register corresponding to address matching ADDRSELx register

The XRAM2 address range is 00'C000h - 00'DFFFh if XPEN (bit 2 of SYSCON register), and XRAM2 (bit 3 of XPERCON register are set). If bit XRAM2EN or XPEN is cleared, then any access in the address range 00'C000h - 00'DFFFh will be directed to external memory interface, using the BUSCONx register corresponding to address matching ADDRSELx register.

As the XRAM appears like external memory, it cannot be used as system stack or as register banks. The XRAM is not provided for single bit storage and therefore is not bit addressable.

SFR/ESFR: 1024 Bytes (2 x 512 Bytes) of address space is reserved for the special function register areas. SFRs are Wordwide registers

which are used to control and to monitor the function of the different on-chip units.

CAN1: Address range 00'EF00h - 00'EFFFh is reserved for the CAN1 Module access. The CAN1 is enabled by setting XPEN bit 2 of the SYSCON register and by setting CAN1EN bit 0 of the new XPERCON register. Accesses to the CAN Module use demultiplexed addresses and a 16-bit data bus (Byte accesses are possible). Two wait states give an access time of 100ns at 40MHz CPU clock on PQFP144 devices (or 125ns at 32MHz CPU clock on TQFP144 devices). No tri-state wait states are used.

CAN2: Address range 00'EE00h - 00'EEFFh is reserved for the CAN2 Module access. The CAN2 is enabled by setting XPEN bit 2 of the SYSCON register and by setting CAN2EN bit 1 of the new XPERCON register. Accesses to the CAN Module use demultiplexed addresses and a 16-bit data bus (Byte accesses are possible). Two wait states give an access time of 100ns at 40MHz CPU clock on PQFP144 devices (or 125ns at 32MHz CPU clock on TQFP144 devices). No tri-state wait states are used.

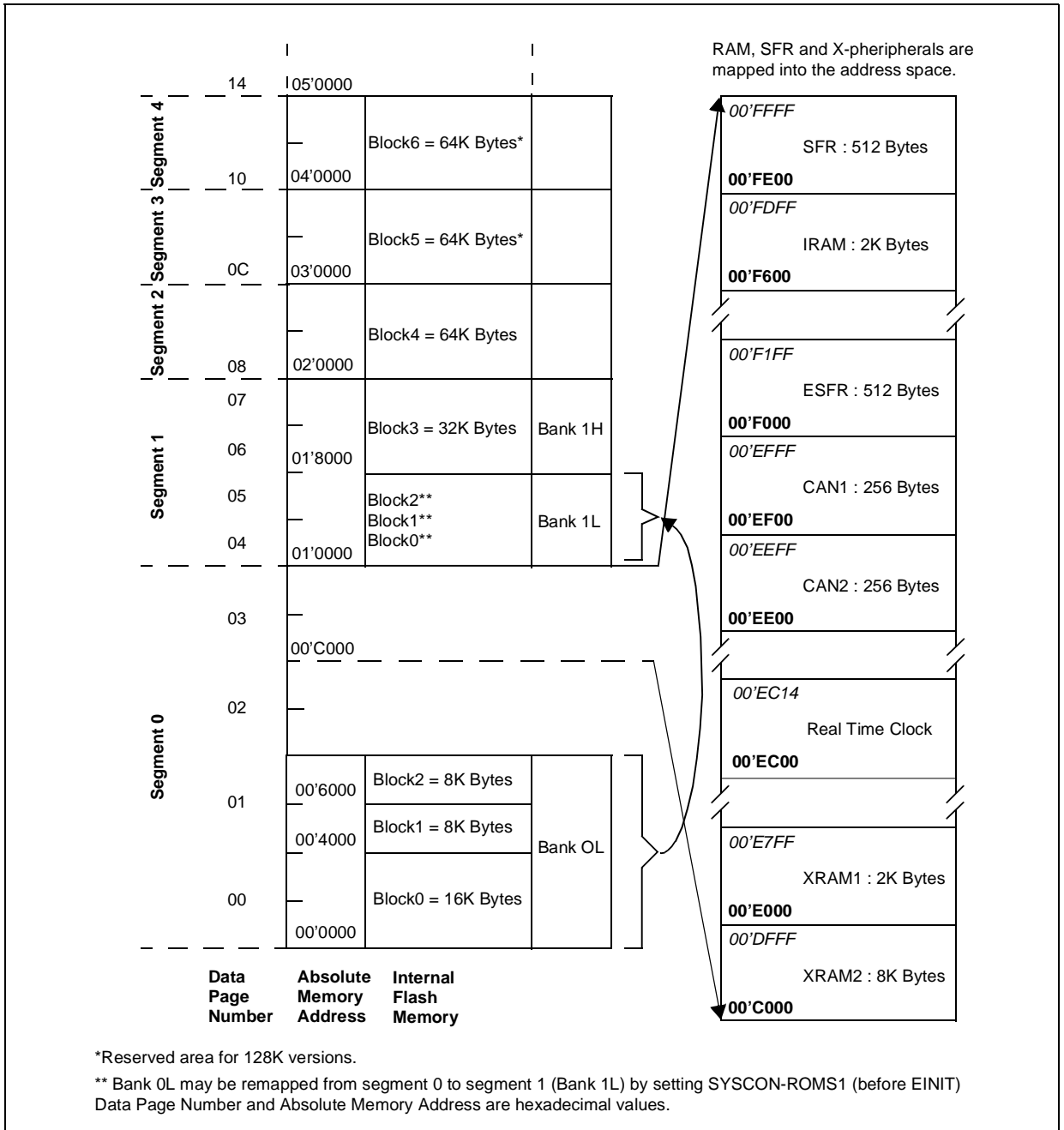
In order to meet the needs of designs where more memory is required than is provided on chip, up to 16M Bytes of external RAM and/or ROM can be connected to the microcontroller.

Note If one or the two CAN modules are used, Port 4 cannot be programmed to output all 8 segment address lines. Thus, only 4 segment address lines can be used, reducing the external memory space to 5M Bytes (1M Byte per \overline{CS} line).

Visibility of XBUS Peripherals

In order to keep the ST10F269 compatible with the ST10C167 and with the ST10F167, the XBUS peripherals can be selected to be visible and / or accessible on the external address / data bus. CAN1EN and CAN2EN bits of XPERCON register must be set. If these bits are cleared before the global enabling with XPEN-bit in SYSCON register, the corresponding address space, port pins and interrupts are not occupied by the peripheral, thus the peripheral is not visible and not available. Refer to Chapter : *Special Function Register Overview* on page 125.

Figure 4 : ST10F269 On-chip Memory Mapping



XPERCON (F024h / 12h)

ESFR

Reset Value: - - 05h

| | | | | | | | | | | | | | | | |
|----|----|----|----|----|----|---|---|---|---|---|-------|---------|---------|--------|--------|
| 15 | 14 | 13 | 12 | 11 | 10 | 9 | 8 | 7 | 6 | 5 | 4 | 3 | 2 | 1 | 0 |
| - | - | - | - | - | - | - | - | - | - | - | RTCEN | XRAM2EN | XRAM1EN | CAN2EN | CAN1EN |
| | | | | | | | | | | | RW | RW | RW | RW | RW |

| | |
|---------|--|
| CAN1EN | <p>CAN1 Enable Bit</p> <p>'0': Accesses to the on-chip CAN1 XPeripheral and its functions are disabled. P4.5 and P4.6 pins can be used as general purpose I/Os. Address range 00'EF00h-00'EFFh is only directed to external memory if CAN2EN is also '0'.</p> <p>'1': The on-chip CAN1 XPeripheral is enabled and can be accessed.</p> |
| CAN2EN | <p>CAN2 Enable Bit</p> <p>'0': Accesses to the on-chip CAN2 XPeripheral and its functions are disabled. P4.4 and P4.7 pins can be used as general purpose I/Os. Address range 00'EE00h-00'EEFFh is only directed to external memory if CAN1EN is also '0'.</p> <p>'1': The on-chip CAN2 XPeripheral is enabled and can be accessed.</p> |
| XRAM1EN | <p>XRAM1 Enable Bit</p> <p>'0': Accesses to external memory within space 00'E000h to 00'E7FFh. The 2K Bytes of internal XRAM1 are disabled.</p> <p>'1': Accesses to the internal 2K Bytes of XRAM1.</p> |
| XRAM2EN | <p>XRAM2 Enable Bit</p> <p>'0': Accesses to the external memory within space 00'C000h to 00'DFFFh. The 8K Bytes of internal XRAM2 are disabled.</p> <p>'1': Accesses to the internal 8K Bytes of XRAM2.</p> |
| RTCEN | <p>RTC Enable Bit</p> <p>'0': Accesses to the on-chip Real Time Clock are disabled, external access is performed. Address range 00'EC00h-00'ECFFh is only directed to external memory if CAN1EN and CAN2EN are '0' also</p> <p>'1': The on-chip Real Time Clock is enabled and can be accessed.</p> |

- Note:
- When both CAN are disabled via XPERCON setting, then any access in the address range 00'EE00h - 00'EFFh will be directed to external memory interface, using the BUSCONx register corresponding to address matching ADDRSELx register. P4.4 and P4.7 can be used as General Purpose I/O when CAN2 is disabled, and P4.5 and P4.6 can be used as General Purpose I/O when CAN1 is disabled.
 - The default XPER selection after Reset is identical to XBUS configuration of ST10C167: XCAN1 is enabled, XCAN2 is disabled, XRAM1 (2K Byte compatible XRAM) is enabled, XRAM2 (new 8K Byte XRAM) is disabled.
 - Register XPERCON cannot be changed after the global enabling of XPeripherals, i.e. after the setting of bit XPEN in the SYSCON register.
 - In EMUlation mode, all the XPERipherals are enabled (XPERCON bit are all set).

- The access to external memory and/or XBus is controlled by the bondout chip.
- When the Real Time Clock is disabled (RTCEN = 0), the clock oscillator is switch-off if the ST10 enters in power-down mode. Otherwise, when the Real Time Clock is enabled, the bit RTCOFF of the RTCCON register allows to choose the power-down mode of the clock oscillator (See Chapter : *Real Time Clock* on page 105).

5 - INTERNAL FLASH MEMORY

5.1 - Overview

- 128K or 256K Byte on-chip Flash memory
- Two possibilities of Flash mapping into the CPU address space
- Flash memory can be used for code and data storage
- 32-bit, zero waitstate read access (50ns cycle time at $f_{CPU} = 40\text{MHz}$ on PQFP144 devices and 62.5ns cycle time at $f_{CPU} = 32\text{MHz}$ on TQFP144 devices)
- Erase-Program Controller (EPC) similar to M29F400B STM's stand-alone Flash memory
 - Word-by-Word Programmable (16 μs typical)
 - Data polling and Toggle Protocol for EPC Status
 - Ready/Busy signal connected on XP2INT interrupt line
 - Internal Power-On detection circuit
- Memory Erase in blocks
 - One 16K Byte, two 8K Byte, one 32K Byte, one to three 64K Byte blocks
 - Each block can be erased separately (1.5 second typical)
 - Chip erase (8.5 second typical)
 - Each block can be separately protected against programming and erasing
 - Each protected block can be temporary unprotected
 - When enabled, the read protection prevents access to data in Flash memory using a program running out of the Flash memory space.

Access to data of internal Flash can only be performed with an inner protected program

- Erase Suspend and Resume Modes
 - Read and Program another Block during erase suspend
- Single Voltage operation, no need of dedicated supply pin
- Low Power Consumption:
 - 45mA max. Read current
 - 60mA max. Program or Erase current
 - Automatic Stand-by-mode (50 μA maximum)
- 1000 Erase-Program Cycles per block, 20 years of data retention time
- Operating temperature: -40 to +125 $^{\circ}\text{C}$ / -40 to +125 $^{\circ}\text{C}$

5.2 - Operational Overview

Read Mode

In standard mode (the normal operating mode) the Flash appears like an on-chip ROM with the same timing and functionality. The Flash module offers a fast access time, allowing zero waitstate access with CPU frequency up to 40MHz on PQFP144 devices and up to 32MHz on TQFP144 devices. Instruction fetches and data operand reads are performed with all addressing modes of the ST10F269 instruction set.

In order to optimize the programming time of the internal Flash, blocks of 8K Bytes, 16K Bytes, 32K Bytes, 64K Bytes can be used. But the size of the blocks does not apply to the whole memory space, see details in Table 2.

Table 2 : 128K or 256K Byte Flash Memory Block Organization

| Block | Addresses (Segment 0) | Addresses (Segment 1) | Size (byte) |
|-------|-----------------------|-----------------------|-------------|
| 0 | 00'0000h to 00'3FFFh | 01'0000h to 01'3FFFh | 16K |
| 1 | 00'4000h to 00'5FFFh | 01'4000h to 01'5FFFh | 8K |
| 2 | 00'6000h to 00'7FFFh | 01'6000h to 01'7FFFh | 8K |
| 3 | 01'8000h to 01'FFFFh | 01'8000h to 01'FFFFh | 32K |
| 4 | 02'0000h to 02'FFFFh | 02'0000h to 02'FFFFh | 64K |
| 5* | 03'0000h to 03'FFFFh* | 03'0000h to 03'FFFFh* | 64K* |
| 6* | 04'0000h to 04'FFFFh* | 04'0000h to 04'FFFFh* | 64K* |

*Not available on 128K versions (reserved areas).

Instructions and Commands

All operations besides normal read operations are initiated and controlled by command sequences written to the Flash Command Interface (CI). The Command Interface (CI) interprets words written to the Flash memory and enables one of the following operations:

- Read memory array
- Program Word
- Block Erase
- Chip Erase
- Erase Suspend
- Erase Resume
- Block Protection
- Block Temporary Unprotection
- Code Protection

Commands are composed of several write cycles at specific addresses of the Flash memory. The different write cycles of such command sequences offer a fail-safe feature to protect against an inadvertent write.

A command only starts when the Command Interface has decoded the last write cycle of an operation. Until that last write is performed, Flash memory remains in Read Mode

Notes: 1. As it is not possible to perform write operations in the Flash while fetching code from Flash, the Flash commands must be written by instructions executed from internal RAM or external memory.

2. Command write cycles do not need to be consecutively received, pauses are allowed, save for Block Erase command. During this operation all Erase Confirm commands must be sent to complete any block erase operation before time-out period expires (typically 96 μ s). Command sequencing must be followed exactly. Any invalid combination of commands will reset the Command Interface to Read Mode.

Status Register

This register is used to flag the status of the memory and the result of an operation. This register can be accessed by read cycles during the Erase-Program Controller (EPC) operation.

Erase Operation

This Flash memory features a block erase architecture with a chip erase capability too. Erase is accomplished by executing the six cycle erase command sequence. Additional command write

cycles can then be performed to erase more than one block in parallel. When a time-out period elapses (96 μ s) after the last cycle, the Erase-Program Controller (EPC) automatically starts and times the erase pulse and executes the erase operation. There is no need to program the block to be erased with '0000h' before an erase operation. Termination of operation is indicated in the Flash status register. After erase operation, the Flash memory locations are read as 'FFFFh' value.

Erase Suspend

A block erase operation is typically executed within 1.5 second for a 64K Byte block. Erasure of a memory block may be suspended, in order to read data from another block or to program data in another block, and then resumed.

In-System Programming

In-system programming is fully supported. No special programming voltage is required. Because of the automatic execution of erase and programming algorithms, write operations are reduced to transferring commands and data to the Flash and reading the status. Any code that programs or erases Flash memory locations (that writes data to the Flash) must be executed from memory outside the on-chip Flash memory itself (on-chip RAM or external memory).

A boot mechanism is provided to support in-system programming. It works using serial link via USART interface and a PC compatible or other programming host.

Read/Write Protection

The Flash module supports read and write protection in a very comfortable and advanced protection functionality. If Read Protection is installed, the whole Flash memory is protected against any "external" read access; read accesses are only possible with instructions fetched directly from program Flash memory. For update of the Flash memory a temporary disable of Flash Read Protection is supported.

The device also features a block write protection. Software locking of selectable memory blocks is provided to protect code and data. This feature will disable both program and erase operations in the selected block(s) of the memory. Block Protection is accomplished by block specific lock-bit which are programmed by executing a four cycle command sequence. The locked state of blocks is indicated by specific flags in the according block status registers. A block may only

be temporarily unlocked for update (write) operations.

With the two possibilities for write protection - whole memory or block specific - a flexible installation of write protection is supported to protect the Flash memory or parts of it from unauthorized programming or erase accesses and to provide virus-proof protection for all system code blocks. All write protection also is enabled during boot operation.

Power Supply, Reset

The Flash module uses a single power supply for both read and write functions. Internally generated and regulated voltages are provided for the program and erase operations from 5V supply. Once a program or erase cycle has been completed, the device resets to the standard read mode. At power-on, the Flash memory has a setup phase of some microseconds (dependent on the power supply ramp-up). During this phase, Flash can not be read. Thus, if EA pin is high (execution will start from Flash memory), the CPU will remain in reset state until the Flash can be accessed.

5.3 - Architectural Description

The Flash module distinguishes two basic operating modes, the standard read mode and the command mode. The initial state after power-on and after reset is the standard read mode.

5.3.1 - Read Mode

The Flash module enters the standard operating mode, the read mode:

- After Reset command
- After every completed erase operation
- After every completed programming operation
- After every other completed command execution
- Few microseconds after a CPU-reset has started
- After incorrect address and data values of command sequences or writing them in an improper sequence
- After incorrect write access to a read protected Flash memory

The read mode remains active until the last command of a command sequence is decoded which starts directly a Flash array operation, such as:

- erase one or several blocks
- program a word into Flash array
- protect / temporary unprotect a block.

In the standard read mode read accesses are directly controlled by the Flash memory array, delivering a 32-bit double Word from the addressed position. Read accesses are always aligned to double Word boundaries. Thus, both low order address bit A1 and A0 are not used in the Flash array for read accesses. The high order address bit A17/A16 define the physical 64K Byte segment being accessed within the Flash array.

5.3.2 - Command Mode

Every operation besides standard read operations is initiated by commands written to the Flash command register. The addresses used for command cycles define in conjunction with the actual state the specific step within command sequences. With the last command of a command sequence, the Erase-Program Controller (EPC) starts the execution of the command. The EPC status is indicated during command execution by:

- The Status Register,
- The Ready/Busy signal.

5.3.3 - Ready/Busy Signal

The Ready/Busy (\bar{R}/B) signal is connected to the XPER2 interrupt node (XP2IC). When \bar{R}/B is high, the Flash is busy with a Program or Erase operation and will not accept any additional program or erase instruction. When \bar{R}/B is Low, the Flash is ready for any Read/Write or Erase operation. The \bar{R}/B will also be low when the memory is put in Erase Suspend mode.

This signal can be polled by reading XP2IC register, or can be used to trigger an interrupt when the Flash goes from Busy to Ready.

5.3.4 - Flash Status Register

The Flash Status register is used to flag the status of the Flash memory and the result of an operation. This register can be accessed by Read cycles during the program-Erase Controller operations. The program or erase operation can be controlled by data polling on bit FSB.7 of Status Register, detection of Toggle on FSB.6 and FSB.2, or Error on FSB.5 and Erase Time-out on FSB.3 bit. Any read attempt in Flash during EPC operation will automatically output these five bits. The EPC sets bit FSB.2, FSB.3, FSB.5, FSB.6 and FSB.7. Other bits are reserved for future use and should be masked.

Flash Status (see note for address)

| | | | | | | | | | | | | | | | |
|----|----|----|----|----|----|---|---|-------|-------|-------|---|-------|-------|---|---|
| 15 | 14 | 13 | 12 | 11 | 10 | 9 | 8 | 7 | 6 | 5 | 4 | 3 | 2 | 1 | 0 |
| - | - | - | - | - | - | - | - | FSB.7 | FSB.6 | FSB.5 | - | FSB.3 | FSB.2 | - | - |
| | | | | | | | | R | R | R | | R | R | | |

| | |
|-------|--|
| FSB.7 | <p>Flash Status bit 7: Data Polling Bit</p> <p>Programming Operation: this bit outputs the complement of the bit 7 of the word being programmed, and after completion, will output the bit 7 of the word programmed.</p> <p>Erasing Operation: outputs a '0' during erasing, and '1' after erasing completion.</p> <p>If the block selected for erasure is (are) protected, FSB.7 will be set to '0' for about 100 µs, and then return to the previous addressed memory data value.</p> <p>FSB.7 will also flag the Erase Suspend Mode by switching from '0' to '1' at the start of the Erase Suspend.</p> <p>During Program operation in Erase Suspend Mode, FSB.7 will have the same behaviour as in normal Program execution outside the Suspend mode.</p> |
| FSB.6 | <p>Flash Status bit 6: Toggle Bit</p> <p>Programming or Erasing Operations: successive read operations of Flash Status register will deliver complementary values. FSB.6 will toggle each time the Flash Status register is read. The Program operation is completed when two successive reads yield the same value. The next read will output the bit last programmed, or a '1' after Erase operation</p> <p>FSB.6 will be set to '1' if a read operation is attempted on an Erase Suspended block. In addition, an Erase Suspend/Resume command will cause FSB.6 to toggle.</p> |
| FSB.5 | <p>Flash Status bit 5: Error Bit</p> <p>This bit is set to '1' when there is a failure of Program, block or chip erase operations. This bit will also be set if a user tries to program a bit to '1' to a Flash location that is currently programmed with '0'.</p> <p>The error bit resets after Read/Reset instruction.</p> <p>In case of success, the Error bit will be set to '0' during Program or Erase and then will output the bit last programmed or a '1' after erasing</p> |
| FSB.3 | <p>Flash Status bit 3: Erase Time-out Bit</p> <p>This bit is cleared by the EPC when the last Block Erase command has been entered to the Command Interface and it is awaiting the Erase start. When the time-out period is finished, after 96 µs, FSB.3 returns back to '1'.</p> |
| FSB.2 | <p>Flash Status bit 2: Toggle Bit</p> <p>This toggle bit, together with FSB.6, can be used to determine the chip status during the Erase Mode or Erase Suspend Mode. It can be used also to identify the block being Erased Suspended. A Read operation will cause FSB.2 to Toggle during the Erase Mode. If the Flash is in Erase Suspend Mode, a Read operation from the Erase suspended block or a Program operation into the Erase suspended block will cause FSB.2 to toggle.</p> <p>When the Flash is in Program Mode during Erase Suspend, FSB.2 will be read as '1' if address used is the address of the word being programmed.</p> <p>After Erase completion with an Error status, FSB.2 will toggle when reading the faulty sector.</p> |

Note: The Address of Flash Status Register is the address of the word being programmed when Programming operation is in progress, or an address within block being erased when Erasing operation is in progress.

5.3.5 - Flash Protection Register

The Flash Protection register is a non-volatile register that contains the protection status. This register can be read by using the Read Protection Status (RP) command, and programmed by using the dedicated Set Protection command.

Flash Protection Register (PR)

| | | | | | | | | | | | | | | | |
|----|----|----|----|----|----|---|---|---|------|------|-----|-----|-----|-----|-----|
| 15 | 14 | 13 | 12 | 11 | 10 | 9 | 8 | 7 | 6 | 5 | 4 | 3 | 2 | 1 | 0 |
| CP | - | - | - | - | - | - | - | - | BP6* | BP5* | BP4 | BP3 | BP2 | BP1 | BP0 |

*Not available for 128K versions (reserved areas)

| | |
|-----|---|
| BPx | <p>Block x Protection Bit (x = 0...6)</p> <p>'0': the Block Protection is enabled for block x. Programming or erasing the block is not possible, unless a Block Temporary Unprotection command is issued.</p> <p>'1': the Block Protection is disabled for block x.</p> <p>Bit is '1' by default, and can be programmed permanently to '0' using the Set Protection command but then cannot be set to '1' again. It is therefore possible to temporarily disable the Block Protection using the Block Temporary Unprotection instruction.</p> |
| CP | <p>Code Protection Bit</p> <p>'0': the Flash Code Protection is enabled. Read accesses to the Flash for execution not performed in the Flash itself are not allowed, the returned value will be 009Bh, whatever the content of the Flash is.</p> <p>'1': the Flash Code Protection is disabled: read accesses to the Flash from external or internal RAM are allowed</p> <p>Bit is '1' by default, and can be programmed permanently to '0' using the Set Protection command but then cannot be set to '1' again. It is therefore possible to temporarily disable the Code Protection using the Code Temporary Unprotection instruction.</p> |

5.3.6 - Instructions Description

Twelve instructions dedicated to Flash memory accesses are defined as follow:

Read/Reset (RD). The Read/Reset instruction consist of one write cycle with data XXF0h. It can be optionally preceded by two CI enable coded cycles (data xxA8h at address 1554h + data xx54h at address 2AA8h). Any successive read cycle following a Read/Reset instruction will read the memory array. A Wait cycle of 10µs is necessary after a Read/Reset command if the memory was in program or Erase mode.

Program Word (PW). This instruction uses four write cycles. After the two CI enable coded cycles, the Program Word command xxA0h is written at address 1554h. The following write cycle will latch the address and data of the word to be programmed. Memory programming can be done only by writing 0's instead of 1's, otherwise an error occurs. During programming, the Flash

Status is checked by reading the Flash Status bit FSB.2, FSB.5, FSB.6 and FSB.7 which show the status of the EPC. FSB.2, FSB.6 and FSB.7 determine if programming is on going or has completed, and FSB.5 allows a check to be made for any possible error.

Block Erase (BE). This instruction uses a minimum of six command cycles. The erase enable command xx80h is written at address 1554h after the two-cycle CI enable sequence.

The erase confirm code xx30h must be written at an address related to the block to be erased preceded by the execution of a second CI enable sequence. Additional erase confirm codes must be given to erase more than one block in parallel. Additional erase confirm commands must be written within a defined time-out period. The input of a new Block Erase command will restart the time-out period.

When this time-out period has elapsed, the erase starts. The status of the internal timer can be monitored through the level of FSB.3, if FSB.3 is '0', the Block Erase command has been given and

the time-out is running; if FSB.3 is '1', the time-out has expired and the EPC is erasing the block(s).

If the second command given is not an erase confirm or if the coded cycles are wrong, the instruction aborts, and the device is reset to Read Mode. It is not necessary to program the block with 0000h as the EPC will do this automatically before the erasing to FFFFh. Read operations after the EPC has started, output the Flash Status Register.

During the execution of the erase by the EPC, the device accepts only the Erase Suspend and Read/Reset instructions. Data Polling bit FSB.7 returns '0' while the erasure is in progress, and '1' when it has completed. The Toggle bit FSB.2 and FSB.6 toggle during the erase operation. They stop when erase is completed. After completion, the Error bit FSB.5 returns '1' if there has been an erase failure because erasure has not completed even after the maximum number of erase cycles have been executed by the EPC, in this case, it will be necessary to input a Read/Reset to the Command Interface in order to reset the EPC.

Chip Erase (CE). This instruction uses six write cycles. The Erase Enable command xx80h, must be written at address 1554h after CI-Enable cycles. The Chip Erase command xx10h must be given on the sixth cycle after a second CI-Enable sequence. An error in command sequence will reset the CI to Read mode. It is NOT necessary to program the block with 0000h as the EPC will do this automatically before the erasing to FFFFh. Read operations after the EPC has started output the Flash Status Register. During the execution of the erase by the EPC, Data Polling bit FSB.7 returns '0' while the erasure is in progress, and '1' when it has completed. The FSB.2 and FSB.6 bit toggle during the erase operation. They stop when erase is finished. The FSB.5 error bit returns "1" in case of failure of the erase operation. The error flag is set after the maximum number of erase cycles have been executed by the EPC. In this case, it will be necessary to input a Read/Reset to the Command Interface in order to reset the EPC.

Erase Suspend (ES). This instruction can be used to suspend a Block Erase operation by giving the command xxB0h without any specific address. No CI-Enable cycles is required. Erase Suspend operation allows reading of data from another block and/or the programming in another block while erase is in progress. If this command is given during the time-out period, it will terminate the time-out period in addition to erase Suspend. The Toggle bit FSB.6, when monitored at an address that belongs to the block being erased, stops toggling when Erase Suspend Command is effective, It happens between 0.1µs and 15µs

after the Erase Suspend Command has been written. The Flash will then go in normal Read Mode, and read from blocks not being erased is valid, while read from block being erased will output FSB.2 toggling. During a Suspend phase the only instructions valid are Erase Resume and Program Word. A Read / Reset instruction during Erase suspend will definitely abort the Erase and result in invalid data in the block being erased.

Erase Resume (ER). This instruction can be given when the memory is in Erase Suspend State. Erase can be resumed by writing the command xx30h at any address without any CI-enable sequence.

Program during Erase Suspend. The Program Word instruction during Erase Suspend is allowed only on blocks that are not Erase-suspended. This instruction is the same than the Program Word instruction.

Set Protection (SP). This instruction can be used to enable both Block Protection (to protect each block independently from accidental Erasing-Programming Operation) and Code Protection (to avoid code dump). The Set Protection Command must be given after a special CI-Protection Enable cycles (see instruction table). The following Write cycle, will program the Protection Register. To protect the block x (x = 0 to 6), the data bit x must be at '0'. To protect the code, bit 15 of the data must be '0'. Enabling Block or Code Protection is **permanent** and can be cleared only by STM. Block Temporary Unprotection and Code Temporary Unprotection instructions are available to allow the customer to update the code.

Notes: 1. The new value programmed in protection register will only become active after a reset.

2. Bit that are already at '0' in protection register must be confirmed at '0' also in data latched during the 4th cycle of set protection command, otherwise an error may occur.

Read Protection Status (RP). This instruction is used to read the Block Protection status and the Code Protection status. To read the protection register (see Table 3), the CI-Protection Enable cycles must be executed followed by the command xx90h at address x2A54h. The following Read Cycles at any odd word address will output the Block Protection Status. The Read/Reset command xxF0h must be written to reset the protection interface.

Note: After a modification of protection register (using Set Protection command), the Read

Protection Status will return the new PR value only after a reset.

Block Temporary Unprotection (BTU). This Instruction can be used to temporary unprotect all the blocks from Program / Erase protection. The Unprotection is disabled after a Reset cycle. The Block Temporary Unprotection command `xxC1h` must be given to enable Block Temporary Unprotection. The Command must be preceded by the CI-Protection Enable cycles and followed by the Read/Reset command `xxF0h`.

Set Code Protection (SCP). This kind of protection allows the customer to protect the proprietary code written in Flash. If installed and active, Flash Code Protection prevents data operand accesses and program branches into the on-chip Flash area from any location outside the Flash memory itself. Data operand accesses and branches to Flash locations are only and exclusively allowed for instructions executed from the Flash memory itself. Every read or jump to Flash performed from another memory (like internal RAM, external memory) while Code Protection is enabled, will give the opcode `009Bh` related to TRAP #00 illegal instruction. The CI-Protection Enable cycles must be sent to set the Code Protection. By writing data `7FFFh` at any odd word address, the Code Protected status is stored in the Flash Protection Register (PR). Protection is permanent and cannot be cleared by the user. It is possible to temporarily disable the Code Protection using Code Temporary Unprotection instruction.

Note: Bits that are already at '0' in protection register must be confirmed at '0' also in data latched during the 4th cycle of set protection command, otherwise an error may occur.

Code Temporary Unprotection (CTU). This instruction must be used to temporary disable Code Protection. This instruction is effective only if executed from Flash memory space. To restore the protection status, without using a reset, it is necessary to use a Code Temporary Protection instruction. System reset will reset also the Code Temporary Unprotected status. The Code Temporary Unprotection command consists of the following write cycle:

```
MOV  MEM, Rn      ; This instruction MUST be executed from Flash memory space
```

Where MEM is an absolute address inside memory space, Rn is a register loaded with data `0FFFFh`.

Code Temporary Protection (CTP). This instruction allows to restore Code Protection. This operation is effective only if executed from Flash memory and is necessary to restore the protection status after the use of a Code Temporary Unprotection instruction.

The Code Temporary Protection command consists of the following write cycle:

```
MOV  MEM, Rn      ; This instruction MUST be executed from Flash memory space
```

Where MEM is an absolute address inside memory space, Rn is a register loaded with data `0FFFBh`.

Note that Code Temporary Unprotection instruction must be used when it is necessary to modify the Flash with protected code (SCP), since the write/erase routines must be executed from a memory external to Flash space. Usually, the write/erase routines, executed in RAM, ends with a return to Flash space where a CTP instruction restore the protection.

Table 3 : Instructions

| Instruction | Mne | Cycle | | 1 st Cycle | 2 nd Cycle | 3 rd Cycle | 4 th Cycle | 5 th Cycle | 6 th Cycle | 7 th Cycle |
|------------------------------|-----|-------|--------------------|-----------------------|---|-----------------------|--|--|-----------------------|-----------------------|
| Read/Reset | RD | 1+ | Addr. ¹ | X ² | Read Memory Array until a new write cycle is initiated | | | | | |
| | | | Data | xxF0h | | | | | | |
| Read/Reset | RD | 3+ | Addr. ¹ | x1554h | x2AA8h | xxxxxh | Read Memory Array until a new write cycle is initiated | | | |
| | | | Data | xxA8h | xx54h | xxF0h | | | | |
| Program Word | PW | 4 | Addr. ¹ | x1554h | x2AA8h | x1554h | WA ³ | Read Data Polling or Toggle bit until Program completes. | | |
| | | | Data | xxA8h | xx54h | xxA0h | WD ⁴ | | | |
| Block Erase | BE | 6 | Addr. ¹ | x1554h | x2AA8h | x1554h | x1554h | x2AA8h | BA | BA' ⁵ |
| | | | Data | xxA8h | xx54h | xx80h | xxA8h | xx54h | xx30h | xx30h |
| Chip Erase | CE | 6 | Addr. ¹ | x1554h | x2AA8h | x1554h | x1554h | x2AA8h | x1554h | Note ⁶ |
| | | | Data | xxA8h | xx54h | xx80h | xxA8h | xx54h | xx10h | |
| Erase Suspend | ES | 1 | Addr. ¹ | X ² | Read until Toggle stops, then read or program all data needed from block(s) not being erased then Resume Erase. | | | | | |
| | | | Data | xxB0h | | | | | | |
| Erase Resume | ER | 1 | Addr. ¹ | X ² | Read Data Polling or Toggle bit until Erase completes or Erase is suspended another time. | | | | | |
| | | | Data | xx30h | | | | | | |
| Set Block/Code Protection | SP | 4 | Addr. ¹ | x2A54h | x15A8h | x2A54h | Any odd word address ⁹ | | | |
| | | | Data | xxA8h | xx54h | xxC0h | WPR ⁷ | | | |
| Read Protection Status | RP | 4 | Addr. ¹ | x2A54h | x15A8h | x2A54h | Any odd word address ⁹ | Read Protection Register until a new write cycle is initiated. | | |
| | | | Data | xxA8h | xx54h | xx90h | Read PR | | | |
| Block Temporary Unprotection | BTU | 4 | Addr. ¹ | x2A54h | x15A8h | x2A54h | X ² | | | |
| | | | Data | xxA8h | xx54h | xxC1h | xxF0h | | | |
| Code Temporary Unprotection | CTU | 1 | Addr. ¹ | MEM ⁸ | Write cycles must be executed from Flash. | | | | | |
| | | | Data | FFFFh | | | | | | |
| Code Temporary Protection | CTP | 1 | Addr. ¹ | MEM ⁸ | Write cycles must be executed from Flash. | | | | | |
| | | | Data | FFFBh | | | | | | |

Notes 1. Address bit A14, A15 and above are don't care for coded address inputs.

2. X = Don't Care.

3. WA = Write Address: address of memory location to be programmed.

4. WD = Write Data: 16-bit data to be programmed

5. Optional, additional blocks addresses must be entered within a time-out delay (96 µs) after last write entry, time-out status can be verified through FSB.3 value. When full command is entered, read Data Polling or Toggle bit until Erase is completed or suspended.

6. Read Data Polling or Toggle bit until Erase completes.

7. WPR = Write protection register. To protect code, bit 15 of WPR must be '0'. To protect block N (N=0,1,...), bit N of WPR must be '0'. Bit that are already at '0' in protection register must also be '0' in WPR, else a writing error will occurs (it is not possible to write a '1' in a bit already programmed at '0').

8. MEM = any address inside the Flash memory space. Absolute addressing mode must be used (MOV MEM, Rn), and instruction must be executed from Flash memory space.

9. Odd word address = $4n-2$ where $n = 0, 1, 2, 3, \dots$, ex. 0002h, 0006h...

- Generally, command sequences cannot be written to Flash by instructions fetched from the Flash itself. Thus, the Flash commands must be written by instructions, executed from internal RAM or external memory.
- Command cycles on the CPU interface need not to be consecutively received (pauses allowed). The CPU interface delivers dummy read data for not used cycles within command sequences.
- All addresses of command cycles shall be defined only with **Register-indirect** addressing mode in the according move instructions. Direct addressing is not allowed for command sequences. Address segment or data page pointer are taken into account for the command address value.

5.3.7 - Reset Processing and Initial State

The Flash module distinguishes two kinds of CPU reset types

The lengthening of CPU reset:

- Is not reported to external devices by bidirectional pin
- Is not enabled in case of external start of CPU after reset.

5.4 - Flash Memory Configuration

The default memory configuration of the ST10F269 Memory is determined by the state of the \overline{EA} pin at reset. This value is stored in the Internal ROM Enable bit (named ROMEN) of the SYSCON register.

When ROMEN = 0, the internal Flash is disabled and external ROM is used for startup control. Flash memory can later be enabled by setting the ROMEN bit of SYSCON to 1. The code performing this setting must not run from a segment of the external ROM to be replaced by a segment of the Flash memory, otherwise unexpected behaviour may occur.

For example, if external ROM code is located in the first 32K Bytes of segment 0, the first 32K Bytes of the Flash must then be enabled in segment 1. This is done by setting the ROMS1 bit of SYSCON to 0 before or simultaneously with setting of ROMEN bit. This must be done in the externally supplied program before the execution of the EINIT instruction.

If program execution starts from external memory, but access to the Flash memory mapped in segment 0 is later required, then the code that

performs the setting of ROMEN bit must be executed either in the segment 0 but above address 00'8000h, or from the internal RAM.

Bit ROMS1 only affects the mapping of the first 32K Bytes of the Flash memory. All other parts of the Flash memory (addresses 01'8000h - 04'FFFFh) remain unaffected.

The SGTDIS Segmentation Disable / Enable must also be set to 0 to allow the use of the full 256K Bytes of on-chip memory in addition to the external boot memory. The correct procedure on changing the segmentation registers must also be observed to prevent an unwanted trap condition:

- Instructions that configure the internal memory must only be executed from external memory or from the internal RAM.
- An Absolute Inter-Segment Jump (JMPS) instruction must be executed after Flash enabling, to the next instruction, even if this next instruction is located in the consecutive address.
- Whenever the internal Memory is disabled, enabled or remapped, the DPPs must be explicitly (re)loaded to enable correct data accesses to the internal memory and/or external memory.

5.5 - Application Examples

5.5.1 - Handling of Flash Addresses

All command, Block, Data and register addresses to the Flash have to be located within the active Flash memory space. The active space is that address range to which the physical Flash addresses are mapped as defined by the user. When using data page pointer (DPP) for block addresses make sure that address bit A15 and A14 of the block address are reflected in both LSBs of the selected DPPS.

Note: - For Command Instructions, address bit A14, A15, A16 and A17 are don't care. This simplify a lot the application software, because it minimize the use of DPP registers when using Command in the Command Interface.

- Direct addressing is not allowed for Command sequence operations to the Flash. Only Register-indirect addressing can be used for command, block or write-data accesses.

5.5.2 - Basic Flash Access Control

When accessing the Flash all command write addresses have to be located within the active Flash memory space. The active Flash memory space is that logical address range which is covered by the Flash after mapping. When using data page pointer (DPP) for addressing the Flash, make sure that address bit A15 and A14 of the command addresses are reflected in both LSBs of the selected data page pointer (A15 - DPPx.1 and A14 - DPPx.0).

In case of the command write addresses, address bit A14, A15 and above are don't care. Thus, command writes can be performed by only using one DPP register. This allow to have a more simple and compact application software.

Another - advantageous - possibility is to use the extended segment instruction for addressing.

Note: The direct addressing mode is not allowed for write access to the Flash address/command register. Be aware that the C compiler may use this kind of addressing. For write accesses to Flash module always the **indirect** addressing mode has to be selected.

The following basic instruction sequences show examples for different addressing possibilities.

Principle example of address generation for Flash commands and registers:

When using data page pointer (DPP0 is this example)

```
MOV   DPP0, #08h           ;adjust data page pointers according to the
                           ;addresses: DPP0 is used in this example, thus
                           ;ADDRESS must have A14 and A15 bit set to '0'.
MOV   Rw_m, #ADDRESS      ;ADDRESS could be a dedicated command sequence
                           ;address (2AA8h, 1554h ... ) or the Flash write
                           ;address
MOV   Rw_n, #DATA         ;DATA could be a dedicated command sequence data
                           ;(xxA0h,xx80h ... ) or data to be programmed
MOV   [Rw_m], Rw_n        ;indirect addressing
```

When using the extended segment instruction:

```
MOV   Rw_m, #ADDRESS      ;ADDRESS could be a dedicated command sequence
                           ;address (2AA8h, 1554h ... ) or the Flash write
                           ;address
MOV   Rw_o, #DATA         ;DATA could be a dedicated command sequence data
                           ;(xxA0h,xx80h ... ) or data to be programmed
MOV   Rw_n, #SEGMENT      ;the value of SEGMENT represents the segment
                           ;number and could be 0, 1, 2, 3 or 4 (depending
                           ;on sector mapping) for 256KByte Flash.
EXTS  Rw_n, #LENGTH       ;the value of Rwn determines the 8-bit segment
                           ;valid for the corresponding data access for any
                           ;long or indirect address in the following(s)
                           ;instruction(s). LENGTH defines the number of
                           ;the effected instruction(s) and has to be a value
                           ;between 1...4
MOV   [Rw_m], Rw_o        ;indirect addressing with segment number from
                           ;EXTS
```

5.5.3 - Programming Examples

Most of the microcontroller programs are written in the C language where the data page pointers are automatically set by the compiler. But because the C compiler may use the not allowed direct addressing mode for Flash write addresses, it is necessary to program the organizational Flash accesses (command sequences) with assembler in-line routines which use indirect addressing.

Example 1 Performing the command Read/Reset

We assume that in the initialization phase the lowest 32K Bytes of Flash memory (sector 0) have been mapped to segment 1.

According to the usual way of ST10 data addressing with data page pointers, address bit A15 and A14 of a 16-bit command write address select the data page pointer (DPP) which contains the upper 10-bit for building the 24-bit physical data address. Address bit A13...A0 represent the address offset. As the bit A14...A17 are "don't care" when written a Flash command in the Command Interface (CI), we can choose the most convenient DPPx register for address handling.

The following examples are making usage of DPP0. We just have to make sure, that DPP0 points to active Flash memory space.

To be independent of mapping of sector 0 we choose for all DPPs which are used for Flash address handling, to point to segment 2.

For this reason we load DPP0 with value 08h (00 0000 1000b).

```
MOV    R5, #01554h           ;load auxiliary register R5 with command address
                               ;(used in command cycle 1)
MOV    R6, #02AA8h           ;load auxiliary register R6 with command address
                               ;(used in command cycle 2)
SCXT   DPP0, #08h            ;push data page pointer 0 and load it to point to
                               ;segment 2
MOV    R7, #0A8h             ;load register R7 with 1st CI enable command
MOV    [R5], R7               ;command cycle 1
MOV    R7, #054h             ;load register R7 with 2cd CI enable command
MOV    [R6], R7               ;command cycle 2
MOV    R7, #0F0h             ;load register R7 with Read/Reset command
MOV    [R5], R7               ;command cycle 3. Address is don't care
POP    DPP0                   ;restore DPP0 value
```

In the example above the 16-bit registers R5 and R6 are used as auxiliary registers for indirect addressing.

Example 2 Performing a Program Word command

We assume that in the initialization phase the lowest 32K Bytes of Flash memory (sector 0) have been mapped to segment 1. The data to be written is loaded in register R13, the address to be programmed is loaded in register R11/R12 (segment number in R11, segment offset in R12).

```
MOV    R5, #01554h           ;load auxiliary register R5 with command address
                               ;(used in command cycle 1)
MOV    R6, #02AA8h           ;load auxiliary register R6 with command address
                               ;(used in command cycle 2)
SXCT   DPP0, #08h            ;push data page pointer 0 and load it to point to
                               ;segment 2
MOV    R7, #0A8h             ;load register R7 with 1st CI enable command
MOV    [R5], R7               ;command cycle 1
MOV    R7, #054h             ;load register R7 with 2cd CI enable command
MOV    [R6], R7               ;command cycle 2
MOV    R7, #0A0h             ;load register R7 with Program Word command
MOV    [R5], R7               ;command cycle 3
POP    DPP0                   ;restore DPP0: following addressing to the Flash
                               ;will use EXTended instructions
                               ;R11 contains the segment to be programmed
```

```

;R12 contains the segment offset address to be
;programmed
;R13 contains the data to be programmed
EXTS R11, #1 ;use EXTENDED addressing for next MOV instruction
MOV [R12], R13 ;command cycle 4: the EPC starts execution of
;Programming Command

Data_Polling:
EXTS R11, #1 ;use EXTENDED addressing for next MOV instruction
MOV R7, [R12] ;read Flash Status register (FSB) in R7
MOV R6, R7 ;save it in R6 register
;Check if FSB.7 = Data.7 (i.e. R7.7 = R13.7)
XOR R7, R13
JNB R7.7, Prog_OK

;Check if FSB.5 = 1 (Programming Error)
JNB R6.5, Data_Polling

;Programming Error: verify is Flash programmed
;data is OK
EXTS R11, #1 ;use EXTENDED addressing for next MOV instruction
MOV R7, [R12] ;read Flash Status register (FSB) in R7
;Check if FSB.7 = Data.7
XOR R7, R13
JNB R7.7, Prog_OK

;Programming failed: Flash remains in Write
;Operation.
;To go back to normal Read operations, a Read/Reset
;command
;must be performed

Prog_Error:
MOV R7, #0F0h ;load register R7 with Read/Reset command
EXTS R11, #1 ;use EXTENDED addressing for next MOV instruction
MOV [R12], R7 ;address is don't care for Read/Reset command
... ;here place specific Error handling code
...
...

;When programming operation finished succesfully,
;Flash is set back automatically to normal Read Mode

Prog_OK:
....
....

```

Example 3 Performing the Block Erase command

We assume that in the initialization phase the lowest 32K Bytes of Flash memory (sector 0) have been mapped to segment 1. The registers R11/R12 contain an address related to the block to be erased (segment number in R11, segment offset in R12, for example R11 = 01h, R12= 4000h will erase the block 1 - first 8K byte block).

```

MOV    R5, #01554h           ;load auxiliary register R5 with command address
                                ;(used in command cycle 1)
MOV    R6, #02AA8h           ;load auxiliary register R6 with command address
                                ;(used in command cycle 2)
SXCT   DPP0, #08h            ;push data page pointer 0 and load it to point ;to
                                ;segment 2
MOV    R7, #0A8h             ;load register R7 with 1st CI enable command
MOV    [R5], R7              ;command cycle 1
MOV    R7, #054h             ;load register R7 with 2cd CI enable command
MOV    [R6], R7              ;command cycle 2
MOV    R7, #080h             ;load register R7 with Block Erase command
MOV    [R5], R7              ;command cycle 3
MOV    R7, #0A8h             ;load register R7 with 1st CI enable command
MOV    [R5], R7              ;command cycle 4
MOV    R7, #054h             ;load register R7 with 2cd CI enable command
MOV    [R6], R7              ;command cycle 5
POP    DPP0                  ;restore DPP0: following addressing to the Flash
                                ;will use EXTended instructions
                                ;R11 contains the segment of the block to be erased
                                ;R12 contains the segment offset address of the
                                ;block to be erased

MOV    R7, #030h             ;load register R7 with erase confirm code
EXTS   R11, #1                ;use EXTended addressing for next MOV instruction
MOV    [R12], R7             ;command cycle 6: the EPC starts execution of
                                ;Erasing Command

Erase_Polling:
EXTS   R11, #1                ;use EXTended addressing for next MOV instruction
MOV    R7, [R12]             ;read Flash Status register (FSB) in R7
                                ;Check if FSB.7 = '1' (i.e. R7.7 = '1')

JB     R7.7, Erase_OK

                                ;Check if FSB.5 = 1 (Erasing Error)

JNB    R7.5, Erase_Polling

                                ;Programming failed: Flash remains in Write
                                ;Operation.
                                ;To go back to normal Read operations, a Read/Reset
                                ;command
                                ;must be performed

Erase_Error:
MOV    R7, #0F0h             ;load register R7 with Read/Reset command
EXTS   R11, #1                ;use EXTended addressing for next MOV instruction
MOV    [R12], R7             ;address is don't care for Read/Reset command
...
...
...

                                ;When erasing operation finished succesfully,
                                ;Flash is set back automatically to normal Read Mode

Erase_OK:
....

```

5.6 - Bootstrap Loader

The built-in bootstrap loader (BSL) of the ST10F269 provides a mechanism to load the startup program through the serial interface after reset. In this case, no external memory or internal Flash memory is required for the initialization code starting at location 00'0000h (see Figure 5).

The bootstrap loader moves code/data into the internal RAM, but can also transfer data via the serial interface into an external RAM using a second level loader routine. Flash Memory (internal or external) is not necessary, but it may be used to provide lookup tables or "core-code" like a set of general purpose subroutines for I/O operations, number crunching, system initialization, etc.

The bootstrap loader can be used to load the complete application software into ROMless systems, to load temporary software into complete systems for testing or calibration, or to load a programming routine for Flash devices.

The BSL mechanism can be used for standard system startup as well as for special occasions like system maintenance (firmware update) or end-of-line programming or testing.

5.6.1 - Entering the Bootstrap Loader

The ST10F269 enters BSL mode when pin P0L.4 is sampled low at the end of a hardware reset. In this case the built-in bootstrap loader is activated independent of the selected bus mode.

The bootstrap loader code is stored in a special Boot-ROM. No part of the standard mask Memory or Flash Memory area is required for this.

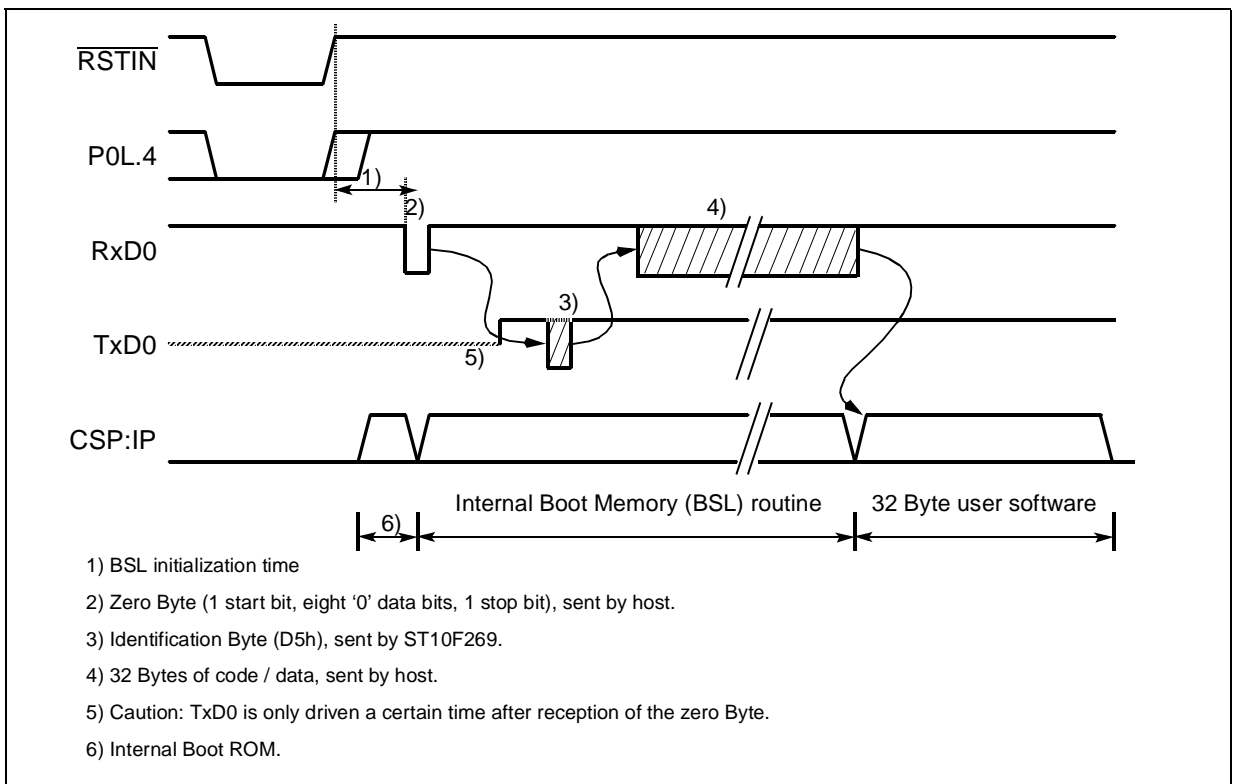
After entering BSL mode and the respective initialization the ST10F269 scans the RXD0 line to receive a zero Byte, one start bit, eight '0' data bits and one stop bit.

From the duration of this zero Byte it calculates the corresponding Baud rate factor with respect to the current CPU clock, initializes the serial interface ASC0 accordingly and switches pin TxD0 to output.

Using this Baud rate, an identification Byte is returned to the host that provides the loaded data.

This identification Byte identifies the device to be booted. The identification byte is D5h for ST10F269.

Figure 5 : Bootstrap Loader Sequence



When the ST10F269 has entered BSL mode, the following configuration is automatically set (values that deviate from the normal reset values, are **marked**):

| | | | |
|---------------------|-------------------|-------------------|-------------------------------|
| Watchdog Timer: | Disabled | Register SYSCON: | 0E00h |
| Context Pointer CP: | FA00h | Register STKUN: | FA40h |
| Stack Pointer SP: | FA40h | Register STKOV: | FA0Ch 0<->C |
| Register S0CON: | 8011h | Register BUSCON0: | acc. to startup configuration |
| Register S0BG: | Acc. to '00' Byte | P3.10 / TXD0: | '1' |
| | | DP3.10: | '1' |

In this case, the watchdog timer is disabled, so the bootstrap loading sequence is not time limited.

Pin TXD0 is configured as output, so the ST10F269 can return the identification Byte.

Even if the internal Flash is enabled, no code can be executed out of it.

The hardware that activates the BSL during reset may be a simple pull-down resistor on P0L.4 for systems that use this feature upon every hardware reset.

A switchable solution (via jumper or an external signal) can be used for systems that only temporarily use the bootstrap loader (see Figure 6).

After sending the identification Byte the ASC0 receiver is enabled and is ready to receive the initial 32 Bytes from the host. A half duplex connection is therefore sufficient to feed the BSL.

5.6.2 - Memory Configuration After Reset

The configuration (and the accessibility) of the ST10F269's memory areas after reset in Bootstrap-Loader mode differs from the standard case. Pin \overline{EA} is not evaluated when BSL mode is selected, and accesses to the internal Flash area are partly redirected, while the ST10F269 is in BSL mode (see Figure 7). All code fetches are made from the special Boot-ROM, while data accesses read from the internal user Flash. Data accesses will return undefined values on ROMless devices.

The code in the Boot-ROM is not an invariant feature of the ST10F269. User software should not try to execute code from the internal Flash area while the BSL mode is still active, as these fetches will be redirected to the Boot-ROM. The Boot-ROM will also "move" to segment 1, when the internal Flash area is mapped to segment 1 (see Figure 7).

Figure 6 : Hardware Provisions to Activate the BSL

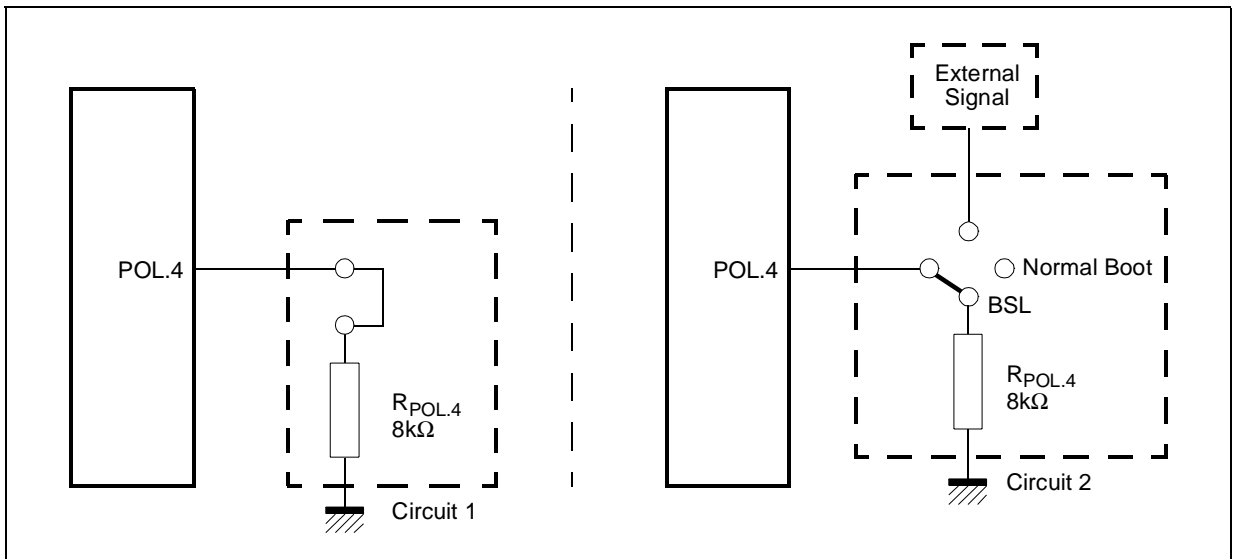


Figure 7 : Memory Configuration after Reset

| | 16M Bytes Segment 255 - - 2 - 1 - 0 ↑ IRAM Test Flash User Flash internal Flash enabled | 16M Bytes Segment 255 - - 2 - 1 - 0 ↑ IRAM Test Flash User Flash internal Flash enabled | 16M Bytes Segment 255 - - 2 - 1 - 0 ↑ IRAM User Flash depends on reset config EA, Port0 depends on reset config EA, Port0 |
|-------------------------------------|---|---|--|
| BSL mode active | Yes (POL.4='0') | Yes (POL.4='0') | No (POL.4='1') |
| \overline{EA} pin | High | Low | Access to application |
| Code fetch from internal Flash area | Test-Flash access | Test-Flash access | User Flash access |
| Data fetch from internal Flash area | User Flash access | User Flash access | User Flash access |

5.6.3 - Loading the Startup Code

After sending the identification Byte the BSL enters a loop to receive 32 Bytes via ASC0. These Bytes are stored sequentially into locations 00'FA40h through 00'FA5Fh of the internal RAM. So up to 16 instructions may be placed into the RAM area. To execute the loaded code the BSL then jumps to location 00'FA40h, which is the first loaded instruction.

The bootstrap loading sequence is now terminated, the ST10F269 remains in BSL mode, however. Most probably the initially loaded routine will load additional code or data, as an average application is likely to require substantially more than 16 instructions. This second receive loop may directly use the pre-initialized interface ASC0 to receive data and store it to arbitrary user-defined locations.

This second level of loaded code may be the final application code. It may also be another, more sophisticated, loader routine that adds a transmission protocol to enhance the integrity of the loaded code or data. It may also contain a code sequence to change the system configuration and enable the bus interface to store the received data into external memory.

This process may go through several iterations or may directly execute the final application. In all

cases the ST10F269 will still run in BSL mode, that means with the watchdog timer disabled and limited access to the internal Flash area.

All code fetches from the internal Flash area (00'0000h...00'7FFFh or 01'0000h...01'7FFFh, if mapped to segment 1) are redirected to the special Boot-ROM. Data fetches access will access the internal Boot-ROM of the ST10F269, if any is available, but will return undefined data on ROMless devices.

5.6.4 - Exiting Bootstrap Loader Mode

In order to execute a program in normal mode, the BSL mode must be terminated first. The ST10F269 exits BSL mode upon a software reset (ignores the level on POL.4) or a hardware reset (POL.4 must be high). After a reset the ST10F269 will start executing from location 00'0000h of the internal Flash or the external memory, as programmed via pin \overline{EA} .

5.6.5 - Choosing the Baud Rate for the BSL

The calculation of the serial Baud rate for ASC0 from the length of the first zero Byte that is received, allows the operation of the bootstrap loader of the ST10F269 with a wide range of Baud rates. However, the upper and lower limits have to be kept, in order to insure proper data transfer.

$$B_{ST10F269} = \frac{f_{CPU}}{32 \times (S0BRL + 1)}$$

The ST10F269 uses timer T6 to measure the length of the initial zero Byte. The quantization uncertainty of this measurement implies the first deviation from the real Baud rate, the next deviation is implied by the computation of the S0BRL reload value from the timer contents. The formula below shows the association:

$$S0BRL = \frac{T6 - 36}{72}, \quad T6 = \frac{9}{4} \times \frac{f_{CPU}}{B_{Host}}$$

For a correct data transfer from the host to the ST10F269 the maximum deviation between the internal initialized Baud rate for ASC0 and the real Baud rate of the host should be below 2.5%. The deviation (F_B , in percent) between host Baud rate and ST10F269 Baud rate can be calculated via the formula below:

$$F_B = \left| \frac{B_{Contr} - B_{Host}}{B_{Contr}} \right| \times 100 \%,$$

$$F_B \leq 2.5 \%$$

Note: Function (F_B) does not consider the tolerances of oscillators and other devices supporting the serial communication.

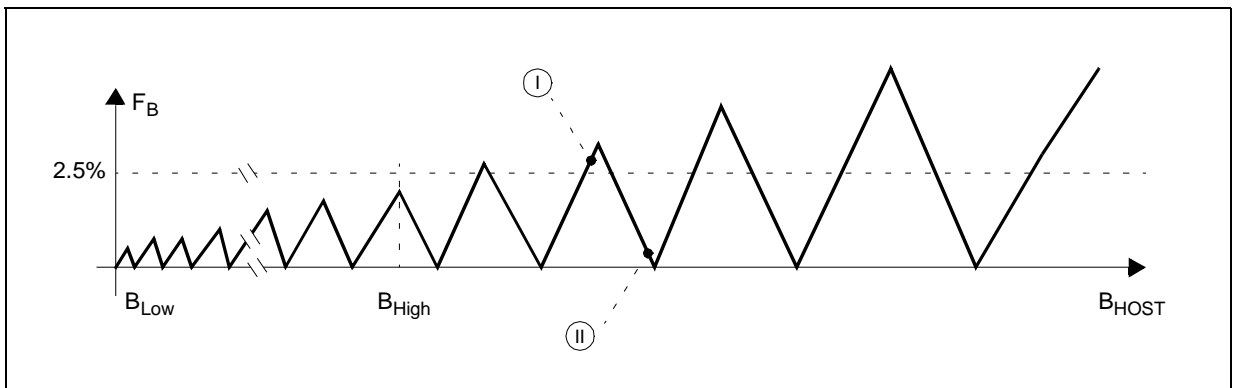
This Baud rate deviation is a nonlinear function depending on the CPU clock and the Baud rate of the host. The maxima of the function (F_B) increase with the host Baud rate due to the smaller Baud rate pre-scaler factors and the implied higher quantization error (see Figure 8).

The minimum Baud rate (B_{Low} in the Figure 8) is determined by the maximum count capacity of timer T6, when measuring the zero Byte, and it depends on the CPU clock. Using the maximum T6 count 2^{16} in the formula the minimum Baud rate can be calculated. The lowest standard Baud rate in this case would be 1200 Baud. Baud rates below B_{Low} would cause T6 to overflow. In this case ASC0 cannot be initialized properly.

The maximum Baud rate (B_{High} in the Figure 8) is the highest Baud rate where the deviation still does not exceed the limit, so all Baud rates between B_{Low} and B_{High} are below the deviation limit. The maximum standard Baud rate that fulfills this requirement is 19200 Baud.

Higher Baud rates, however, may be used as long as the actual deviation does not exceed the limit. A certain Baud rate (marked 'I' in Figure 8) may violate the deviation limit, while an even higher Baud rate (marked 'II' in Figure 8) stays very well below it. This depends on the host interface.

Figure 8 : Baud Rate Deviation Between Host and ST10F269



6 - CENTRAL PROCESSING UNIT (CPU)

The CPU includes a 4-stage instruction pipeline, a 16-bit arithmetic and logic unit (ALU) and dedicated SFRs. Additional hardware has been added for a separate multiply and divide unit, a bit-mask generator and a barrel shifter.

Most of the ST10F269 instructions can be executed in one instruction cycle which requires 50ns at 40MHz CPU clock (PQFP144 devices) and 62.5ns at 32MHz CPU clock (TQFP144 devices). For example, shift and rotate instructions are processed in one instruction cycle independent of the number of bits to be shifted.

Multiple-cycle instructions have been optimized: branches are carried out in 2 cycles, 16 x 16-bit multiplication in 5 cycles and a 32/16-bit division in 10 cycles.

The jump cache reduces the execution time of repeatedly performed jumps in a loop, from 2 cycles to 1 cycle.

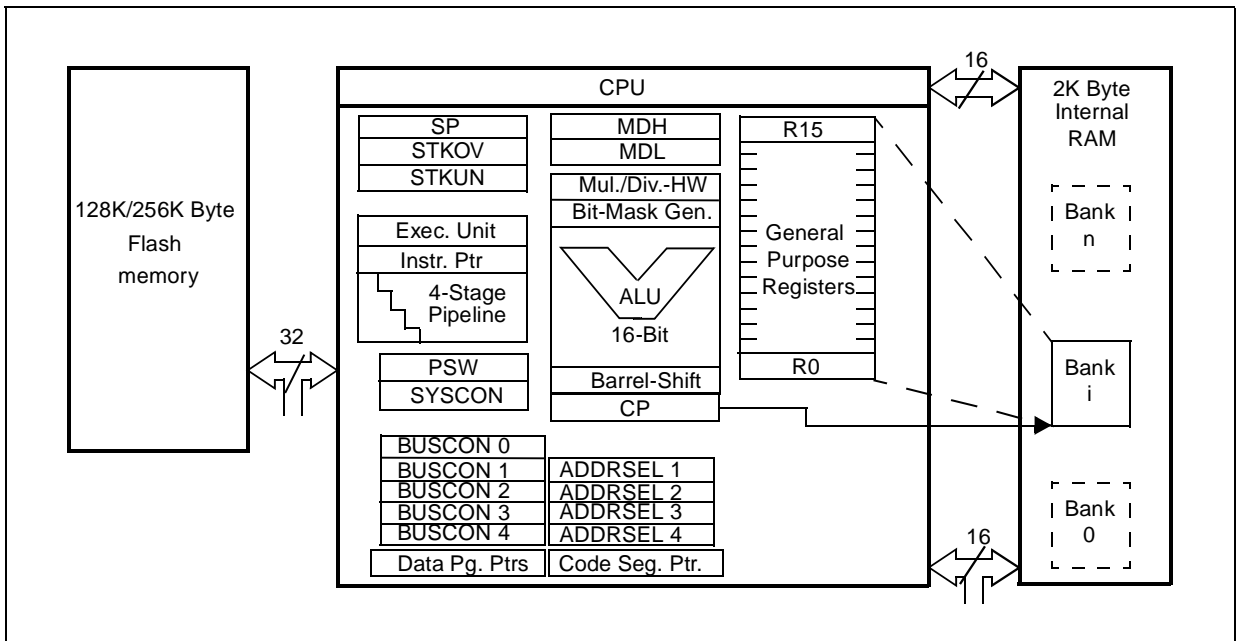
The CPU uses a bank of 16 word registers to run the current context. This bank of General Purpose Registers (GPR) is physically stored within the on-chip Internal RAM (IRAM) area. A Context Pointer (CP) register determines the base address of the active register bank to be accessed by the CPU.

The number of register banks is only restricted by the available Internal RAM space. For easy parameter passing, a register bank may overlap others.

A system stack of up to 1024 bytes is provided as a storage for temporary data. The system stack is allocated in the on-chip RAM area, and it is accessed by the CPU via the stack pointer (SP) register.

Two separate SFRs, STKOV and STKUN, are implicitly compared against the stack pointer value upon each stack access for the detection of a stack overflow or underflow.

Figure 9 : CPU Block Diagram (MAC Unit not included)



The System Configuration Register SYSCON

This bit-addressable register provides general system configuration and control functions. The reset value for register SYSCON depends on the state of the PORT0 pins during reset.

| SYSCON (FF12h / 89h) | | | | | | | | | | SFR | | | | | Reset Value: 0xx0h | |
|----------------------|--------|---------|-----------------|-----------------|--------|-----------------|--------|---------|---------|----------|------|----------|------------|----|--------------------|--|
| 15 | 14 | 13 | 12 | 11 | 10 | 9 | 8 | 7 | 6 | 5 | 4 | 3 | 2 | 1 | 0 | |
| STKSZ | ROM S1 | SGT DIS | ROM EN | BYT DIS | CLK EN | WR CFG | CS CFG | PWD CFG | OWD DIS | BDR STEN | XPEN | VISI BLE | XPER-SHARE | | | |
| RW | RW | RW | RW ¹ | RW ¹ | RW | RW ¹ | RW | RW | RW | RW | RW | RW | RW | RW | RW | |

Notes: 1. These bits are set directly or indirectly according to PORT0 and \overline{EA} pin configuration during reset sequence.
2. Register SYSCON cannot be changed after execution of the EINIT instruction.

| Bit | Function |
|---------|--|
| XPEN | <p>XBUS Peripheral Enable Bit</p> <p>0 Accesses to the on-chip X-Peripherals and their functions are disabled</p> <p>1 The on-chip X-Peripherals are enabled and can be accessed.</p> |
| BDRSTEN | <p>Bidirectional Reset Enable</p> <p>0 \overline{RSTIN} pin is an input pin only. SW Reset or WDT Reset have no effect on this pin</p> <p>1 \overline{RSTIN} pin is a bidirectional pin. This pin is pulled low during 1024 TCL during reset sequence.</p> |
| OWDDIS | <p>Oscillator Watchdog Disable Control</p> <p>0 Oscillator Watchdog (OWD) is enabled. If PLL is bypassed, the OWD monitors XTAL1 activity. If there is no activity on XTAL1 for at least 1 μs, the CPU clock is switched automatically to PLL's base frequency (2 to 10MHz).</p> <p>1 OWD is disabled. If the PLL is bypassed, the CPU clock is always driven by XTAL1 signal. The PLL is turned off to reduce power supply current.</p> |
| PWDCFG | <p>Power Down Mode Configuration Control</p> <p>0 Power Down Mode can only be entered during PWRDN instruction execution if \overline{NMI} pin is low, otherwise the instruction has no effect. To exit Power Down Mode, an external reset must occur by asserting the \overline{RSTIN} pin.</p> <p>1 Power Down Mode can only be entered during PWRDN instruction execution if all enabled fast external interrupt EXxIN pins are in their inactive level. Exiting this mode can be done by asserting one enabled EXxIN pin.</p> |
| CSCFG | <p>Chip Select Configuration Control</p> <p>0 Latched Chip Select lines: CSx change 1 TCL after rising edge of ALE</p> <p>1 Unlatched Chip Select lines: CSx change with rising edge of ALE</p> |

6.1 - Multiplier-accumulator Unit (MAC)

The MAC co-processor is a specialized co-processor added to the ST10 CPU Core in order to improve the performances of the ST10 Family in signal processing algorithms.

Signal processing needs at least three specialized units operating in parallel to achieve maximum performance:

- A Multiply-Accumulate Unit,
- An Address Generation Unit, able to feed the MAC Unit with 2 operands per cycle,
- A Repeat Unit, to execute series of multiply-accumulate instructions.

The existing ST10 CPU has been modified to include new addressing capabilities which enable the CPU to supply the new co-processor with up to 2 operands per instruction cycle.

This new co-processor (so-called MAC) contains a fast multiply-accumulate unit and a repeat unit.

The co-processor instructions extend the ST10 CPU instruction set with multiply, multiply-accumulate, 32-bit signed arithmetic operations.

A new transfer instruction CoMOV has also been added to take benefit of the new addressing capabilities.

6.1.1 - Features

6.1.1.1 - Enhanced Addressing Capabilities

- New addressing modes including a double indirect addressing mode with pointer post-modification.
- Parallel Data Move: this mechanism allows one operand move during Multiply-Accumulate instructions without penalty.
- New transfer instructions CoSTORE (for fast access to the MAC SFRs) and CoMOV (for fast memory to memory table transfer).

6.1.1.2 - Multiply-Accumulate Unit

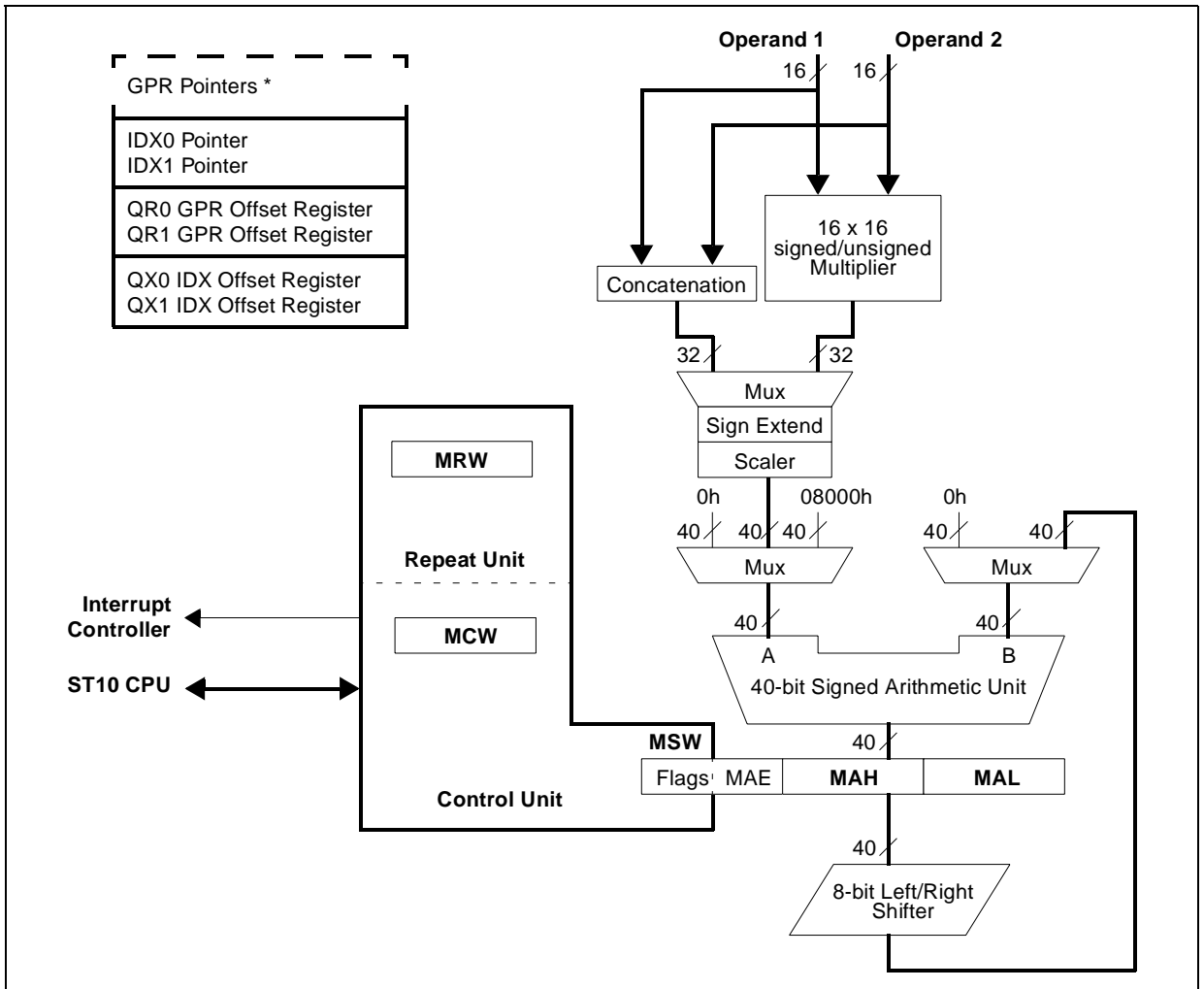
- One-cycle execution for all MAC operations.

- 16 x 16-bit signed/unsigned parallel multiplier.
- 40-bit signed arithmetic unit with automatic saturation mode.
- 40-bit accumulator.
- 8-bit left/right shifter.
- Full instruction set with multiply and multiply-accumulate, 32-bit signed arithmetic and compare instructions.

6.1.1.3 - Program Control

- Repeat Unit: allows some MAC co-processor instructions to be repeated up to 8192 times. Repeated instructions may be interrupted.
- MAC interrupt (Class B Trap) on MAC condition flags.

Figure 10 : MAC Unit Architecture



Note: * Shared with standard ALU.

6.2 - Instruction Set Summary

The Table 4 lists the instructions of the ST10F269. The various addressing modes, instruction operation, parameters for conditional execution of instructions, opcodes and a detailed description of each instruction can be found in the "ST10 Family Programming Manual".

Table 4 : Instruction Set Summary

| Mnemonic | Description | Bytes |
|------------------|---|-------|
| ADD(B) | Add word (byte) operands | 2 / 4 |
| ADDC(B) | Add word (byte) operands with Carry | 2 / 4 |
| SUB(B) | Subtract word (byte) operands | 2 / 4 |
| SUBC(B) | Subtract word (byte) operands with Carry | 2 / 4 |
| MUL(U) | (Un)Signed multiply direct GPR by direct GPR (16-/16-bit) | 2 |
| DIV(U) | (Un)Signed divide register MDL by direct GPR (16-/16-bit) | 2 |
| DIVL(U) | (Un)Signed long divide reg. MD by direct GPR (32-/16-bit) | 2 |
| CPL(B) | Complement direct word (byte) GPR | 2 |
| NEG(B) | Negate direct word (byte) GPR | 2 |
| AND(B) | Bit-wise AND, (word/byte operands) | 2 / 4 |
| OR(B) | Bit-wise OR, (word/byte operands) | 2 / 4 |
| XOR(B) | Bit-wise XOR, (word/byte operands) | 2 / 4 |
| BCLR | Clear direct bit | 2 |
| BSET | Set direct bit | 2 |
| BMOV(N) | Move (negated) direct bit to direct bit | 4 |
| BAND, BOR, BXOR | AND/OR/XOR direct bit with direct bit | 4 |
| BCMP | Compare direct bit to direct bit | 4 |
| BFLDH/L | Bit-wise modify masked high/low byte of bit-addressable direct word memory with immediate data | 4 |
| CMP(B) | Compare word (byte) operands | 2 / 4 |
| CMPD1/2 | Compare word data to GPR and decrement GPR by 1/2 | 2 / 4 |
| CMPI1/2 | Compare word data to GPR and increment GPR by 1/2 | 2 / 4 |
| PRIOR | Determine number of shift cycles to normalize direct word GPR and store result in direct word GPR | 2 |
| SHL / SHR | Shift left/right direct word GPR | 2 |
| ROL / ROR | Rotate left/right direct word GPR | 2 |
| ASHR | Arithmetic (sign bit) shift right direct word GPR | 2 |
| MOV(B) | Move word (byte) data | 2 / 4 |
| MOVBS | Move byte operand to word operand with sign extension | 2 / 4 |
| MOVBZ | Move byte operand to word operand with zero extension | 2 / 4 |
| JMPA, JMPI, JMPR | Jump absolute/indirect/relative if condition is met | 4 |
| JMPS | Jump absolute to a code segment | 4 |
| J(N)B | Jump relative if direct bit is (not) set | 4 |
| JBC | Jump relative and clear bit if direct bit is set | 4 |

Table 4 : Instruction Set Summary

| Mnemonic | Description | Bytes |
|---------------------|---|-------|
| JNBS | Jump relative and set bit if direct bit is not set | 4 |
| CALLA, CALLI, CALLR | Call absolute/indirect/relative subroutine if condition is met | 4 |
| CALLS | Call absolute subroutine in any code segment | 4 |
| PCALL | Push direct word register onto system stack and call absolute subroutine | 4 |
| TRAP | Call interrupt service routine via immediate trap number | 2 |
| PUSH, POP | Push/pop direct word register onto/from system stack | 2 |
| SCXT | Push direct word register onto system stack and update register with word operand | 4 |
| RET | Return from intra-segment subroutine | 2 |
| RETS | Return from inter-segment subroutine | 2 |
| RETP | Return from intra-segment subroutine and pop direct word register from system stack | 2 |
| RETI | Return from interrupt service subroutine | 2 |
| SRST | Software Reset | 4 |
| IDLE | Enter Idle Mode | 4 |
| PWRDN | Enter Power Down Mode (supposes $\overline{\text{NMI}}$ -pin being low) | 4 |
| SRVWDT | Service Watchdog Timer | 4 |
| DISWDT | Disable Watchdog Timer | 4 |
| EINIT | Signify End-of-Initialization on RSTOUT-pin | 4 |
| ATOMIC | Begin ATOMIC sequence | 2 |
| EXTR | Begin EXTended Register sequence | 2 |
| EXTP(R) | Begin EXTended Page (and Register) sequence | 2 / 4 |
| EXTS(R) | Begin EXTended Segment (and Register) sequence | 2 / 4 |
| NOP | Null operation | 2 |

6.3 - MAC Coprocessor Specific Instructions

The following table gives an overview of the MAC instruction set. All the mnemonics are listed with the addressing modes that can be used with each instruction.

For each combination of mnemonic and addressing mode this table indicates if it is repeatable or not.

New addressing capabilities enable the CPU to supply the MAC with up to 2 operands per instruction cycle. MAC instructions: multiply, multiply-accumulate, 32-bit signed arithmetic operations and the CoMOV transfer instruction have been added to the standard instruction set. Full details are provided in the 'ST10 Family Programming Manual'. Double indirect addressing requires two pointers. Any GPR can be used for one pointer, the other pointer is provided by one of

two specific SFRs IDX0 and IDX1. Two pairs of offset registers QR0/QR1 and QX0/QX1 are associated with each pointer (GPR or IDX_i).

The GPR pointer allows access to the entire memory space, but IDX_i are limited to the internal Dual-Port RAM, except for the CoMOV instruction.

| Mnemonic | Addressing Modes | Repeatability |
|--|---|-------------------|
| CoMUL CoMULu CoMULus CoMULsu CoMUL- CoMULu- CoMULus- CoMULsu- CoMUL, rnd CoMULu, rnd CoMULus, rnd CoMULsu, rnd | Rw_n, Rw_m [IDX_i], [Rw_m] $Rw_n, [Rw_m]$ | No No No |
| CoMAC CoMACu CoMACus CoMACsu CoMAC- CoMACu- CoMACus- CoMACsu- CoMAC, rnd CoMACu, rnd CoMACus, rnd CoMACsu, rnd CoMACR CoMACRu | Rw_n, Rw_m [IDX_i], [Rw_m] $Rw_n, [Rw_m]$ | No Yes Yes |
| CoMACRus CoMACRsu CoMACR, rnd CoMACRu, rnd CoMACRus, rnd CoMACRsu, rnd | Rw_n, Rw_m [IDX_i], [Rw_n] $Rw_n, [Rw_m]$ | No No No |
| CoNOP | $[Rw_m]$ [IDX_i] [IDX_i], [Rw_m] | Yes Yes Yes |
| CoNEG CoNEG, rnd CoRND | - | No |
| CoSTORE | $Rw_n, CoReg$ [Rw_n], Coreg | No Yes |
| CoMOV | [IDX_i], [Rw_m] | Yes |

| Mnemonic | Addressing Modes | Repeatability |
|---|--|------------------|
| CoMACM CoMACMu CoMACMus CoMACMsu CoMACM- CoMACMu- CoMACMus- CoMACMsu- CoMACM, rnd CoMACMu, rnd CoMACMus, rnd CoMACMsu, rnd CoMACMR CoMACMRu CoMACMRus CoMACMRsu CoMACMR, rnd CoMACMRu, rnd CoMACMRus, rnd CoMACMRsu, rnd | [IDX _i ⊗], [Rw _m ⊗] | Yes |
| CoADD CoADD2 CoSUB CoSUB2 CoSUBR CoSUB2R CoMAX CoMIN | Rw _n , Rw _m [IDX _i ⊗], [Rw _m ⊗] Rw _n , [Rw _m ⊗] | No Yes Yes |
| CoLOAD CoLOAD- CoLOAD2 CoLOAD2- CoCMP | Rw _n , Rw _m [IDX _i ⊗], [Rw _m ⊗] Rw _n , [Rw _m ⊗] | No No No |
| CoSHL CoSHR CoASHR CoASHR, rnd | Rw _m #data4 [Rw _m ⊗] | Yes No Yes |
| CoABS | - Rw _n , Rw _m [IDX _i ⊗], [Rw _m ⊗] Rw _n , [Rw _m ⊗] | No No No |

The Table 5 shows the various combinations of pointer post-modification for each of these 2 new addressing modes. In this document the symbols “[Rw_n⊗]” and “[IDX_i⊗]” refer to these addressing modes.

Table 5 : Pointer Post-modification Combinations for IDX_i and Rwn

| Symbol | Mnemonic | Address Pointer Operation |
|-----------------------------------|---------------------------------------|--|
| “[IDX _i ⊗]” stands for | [IDX _i] | (IDX _i) ← (IDX _i) (no-op) |
| | [IDX _i ++] | (IDX _i) ← (IDX _i) + 2 (i=0,1) |
| | [IDX _i --] | (IDX _i) ← (IDX _i) - 2 (i=0,1) |
| | [IDX _i + QX _j] | (IDX _i) ← (IDX _i) + (QX _j) (i, j =0,1) |
| | [IDX _i - QX _j] | (IDX _i) ← (IDX _i) - (QX _j) (i, j =0,1) |
| “[Rw _n ⊗]” stands for | [Rwn] | (Rwn) ← (Rwn) (no-op) |
| | [Rwn+] | (Rwn) ← (Rwn) + 2 (n=0-15) |
| | [Rwn-] | (Rwn) ← (Rwn) - 2 (n=0-15) |
| | [Rwn + QR _j] | (Rwn) ← (Rwn) + (QR _j) (n=0-15; j =0,1) |
| | [Rwn - QR _j] | (Rwn) ← (Rwn) - (QR _j) (n=0-15; j =0,1) |

Table 6 : MAC Registers Referenced as ‘CoReg’

| Registers | Description | Address in Opcode |
|-----------|---------------------------|-------------------|
| MSW | MAC-Unit Status Word | 00000b |
| MAH | MAC-Unit Accumulator High | 00001b |
| MAS | “limited” MAH /signed | 00010b |
| MAL | MAC-Unit Accumulator Low | 00100b |
| MCW | MAC-Unit Control Word | 00101b |
| MRW | MAC-Unit Repeat Word | 00110b |

7 - EXTERNAL BUS CONTROLLER

All of the external memory accesses are performed by the on-chip external bus controller.

The EBC can be programmed to single chip mode when no external memory is required, or to one of four different external memory access modes:

- 16- / 18- / 20- / 24-bit addresses and 16-bit data, demultiplexed
- 16- / 18- / 20- / 24-bit addresses and 16-bit data, multiplexed
- 16- / 18- / 20- / 24-bit addresses and 8-bit data, multiplexed
- 16- / 18- / 20- / 24-bit addresses and 8-bit data, demultiplexed

In demultiplexed bus modes addresses are output on PORT1 and data is input / output on PORT0 or P0L, respectively. In the multiplexed bus modes both addresses and data use PORT0 for input / output.

Timing characteristics of the external bus interface (memory cycle time, memory tri-state time, length of ALE and read / write delay) are programmable giving the choice of a wide range of memories and external peripherals.

Up to 4 independent address windows may be defined (using register pairs ADDRSELx / BUSCONx) to access different resources and bus characteristics.

These address windows are arranged hierarchically where BUSCON4 overrides BUSCON3 and BUSCON2 overrides BUSCON1.

All accesses to locations not covered by these 4 address windows are controlled by BUSCON0. Up to 5 external \overline{CS} signals (4 windows plus default) can be generated in order to save external glue logic. Access to very slow memories is supported by a 'Ready' function.

A \overline{HOLD} / \overline{HLDA} protocol is available for bus arbitration which shares external resources with other bus masters.

The bus arbitration is enabled by setting bit HLDEN in register PSW. After setting HLDEN once, pins P6.7...P6.5 (\overline{BREQ} , \overline{HLDA} , \overline{HOLD}) are automatically controlled by the EBC. In master mode (default after reset) the \overline{HLDA} pin is an output. By setting bit DP6.7 to '1' the slave mode is selected where pin \overline{HLDA} is switched to input. This directly connects the slave controller to another master controller without glue logic.

For applications which require less external memory space, the address space can be restricted to 1M Byte, 256K Bytes or to 64K Bytes.

Port 4 outputs all 8 address lines if an address space of 16M Bytes is used, otherwise four, two or no address lines.

Chip select timing can be made programmable. By default (after reset), the CSx lines change half a CPU clock cycle after the rising edge of ALE. With the CSCFG bit set in the SYSCON register the CSx lines change with the rising edge of ALE. The active level of the READY pin can be set by bit RDYPOL in the BUSCONx registers. When the READY function is enabled for a specific address window, each bus cycle within the window must be terminated with the active level defined by bit RDYPOL in the associated BUSCON register.

7.1 - Programmable Chip Select Timing Control

The ST10F269 allows the user to adjust the position of the CSx line changes. By default (after reset), the CSx lines change half a CPU clock cycle (12.5ns at 40MHz of CPU clock on PQFP144 devices and 31.25ns at 32MHz of CPU clock on TQFP144 devices) after the rising edge of ALE. With the CSCFG bit set in the SYSCON register the CSx lines change with the rising edge of ALE, thus the CSx lines and the address lines change at the same time (see Figure 11).

7.2 - READY Programmable Polarity

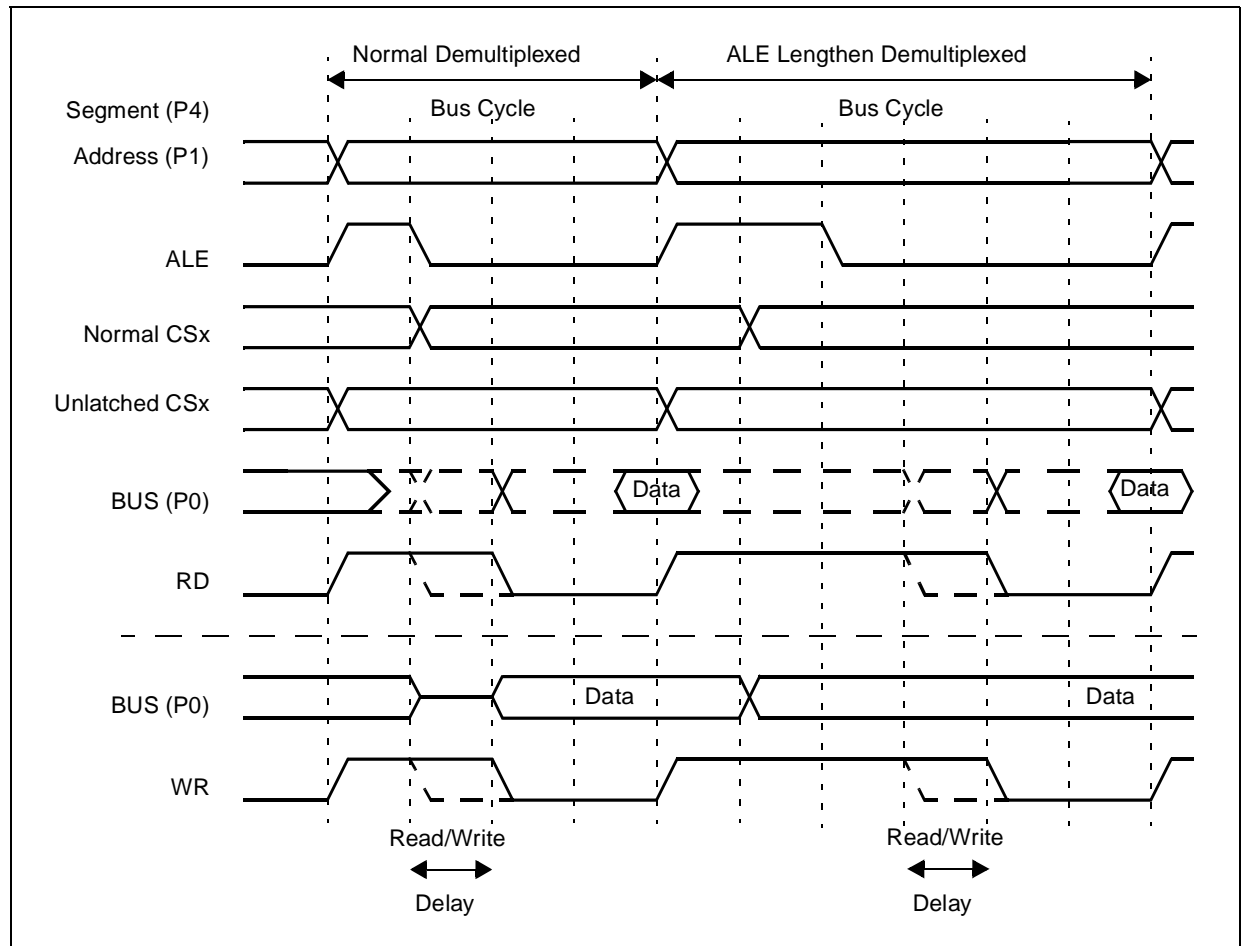
The active level of the READY pin can be selected by software via the RDYPOL bit in the BUSCONx registers.

When the READY function is enabled for a specific address window, each bus cycle within this window must be terminated with the active level defined by this RDYPOL bit in the associated BUSCON register.

BUSCONx registers are described in Section 20.2 -> *System Configuration Registers*.

Note ST10F269 as no internal pull-up resistor on READY pin.

Figure 11 : Chip Select Delay



8 - INTERRUPT SYSTEM

The interrupt response time for internal program execution is from 125ns to 300ns at 40MHz CPU clock on PQFP144 devices and 156.25ns to 375ns at 32MHz of CPU clock on TQFP144 devices.

The ST10F269 architecture supports several mechanisms for fast and flexible response to service requests that can be generated from various sources (internal or external) to the microcontroller. Any of these interrupt requests can be serviced by the Interrupt Controller or by the Peripheral Event Controller (PEC).

In contrast to a standard interrupt service where the current program execution is suspended and a branch to the interrupt vector table is performed, just one cycle is 'stolen' from the current CPU activity to perform a PEC service. A PEC service implies a single Byte or Word data transfer between any two memory locations with an additional increment of either the PEC source or destination pointer. An individual PEC transfer counter is implicitly decremented for each PEC service except when performing in the continuous transfer mode. When this counter reaches zero, a standard interrupt is performed to the corresponding source related vector location. PEC services are very well suited to perform the transmission or the reception of blocks of data. The ST10F269 has 8 PEC channels, each of

them offers such fast interrupt-driven data transfer capabilities.

An interrupt control register which contains an interrupt request flag, an interrupt enable flag and an interrupt priority bit-field is dedicated to each existing interrupt source. Thanks to its related register, each source can be programmed to one of sixteen interrupt priority levels. Once starting to be processed by the CPU, an interrupt service can only be interrupted by a higher prioritized service request. For the standard interrupt processing, each of the possible interrupt sources has a dedicated vector location.

Software interrupts are supported by means of the 'TRAP' instruction in combination with an individual trap (interrupt) number.

8.1 - External Interrupts

Fast external interrupt inputs are provided to service external interrupts with high precision requirements. These fast interrupt inputs feature programmable edge detection (rising edge, falling edge or both edges).

Fast external interrupts may also have interrupt sources selected from other peripherals; for example the CANx controller receive signal (CANx_RxD) can be used to interrupt the system. This new function is controlled using the 'External Interrupt Source Selection' register EXISEL.

EXISEL (F1DAh / EDh)

ESFR

Reset Value: 0000h

| | | | | | | | | | | | | | | | |
|--------|--------|--------|--------|--------|--------|--------|--------|---|---|---|---|---|---|---|---|
| 15 | 14 | 13 | 12 | 11 | 10 | 9 | 8 | 7 | 6 | 5 | 4 | 3 | 2 | 1 | 0 |
| EXI7SS | EXI6SS | EXI5SS | EXI4SS | EXI3SS | EXI2SS | EXI1SS | EXI0SS | | | | | | | | |
| RW | RW | RW | RW | RW | RW | RW | RW | | | | | | | | |

| | |
|--------|--|
| EXIxSS | External Interrupt x Source Selection (x=7...0) '00': Input from associated Port 2 pin. '01': Input from "alternate source". '10': Input from Port 2 pin ORed with "alternate source". '11': Input from Port 2 pin ANDed with "alternate source". |
|--------|--|

| EXIxSS | Port 2 pin | Alternate Source |
|--------|------------|------------------|
| 0 | P2.8 | CAN1_RxD |
| 1 | P2.9 | CAN2_RxD |
| 2 | P2.10 | RTCSI (Timed) |
| 3 | P2.11 | RTCAI (Alarm) |
| 4...7 | P2.12...15 | Not used (zero) |

8.2 - Interrupt Registers and Vectors Location List

Table 7 shows all the available ST10F269 interrupt sources and the corresponding hardware-related interrupt flags, vectors, vector locations and trap (interrupt) numbers:

Table 7 : Interrupt Sources

| Source of Interrupt or PEC Service Request | Request Flag | Enable Flag | Interrupt Vector | Vector Location | Trap Number |
|--|--------------|-------------|------------------|-----------------|-------------|
| CAPCOM Register 0 | CC0IR | CC0IE | CC0INT | 00'0040h | 10h |
| CAPCOM Register 1 | CC1IR | CC1IE | CC1INT | 00'0044h | 11h |
| CAPCOM Register 2 | CC2IR | CC2IE | CC2INT | 00'0048h | 12h |
| CAPCOM Register 3 | CC3IR | CC3IE | CC3INT | 00'004Ch | 13h |
| CAPCOM Register 4 | CC4IR | CC4IE | CC4INT | 00'0050h | 14h |
| CAPCOM Register 5 | CC5IR | CC5IE | CC5INT | 00'0054h | 15h |
| CAPCOM Register 6 | CC6IR | CC6IE | CC6INT | 00'0058h | 16h |
| CAPCOM Register 7 | CC7IR | CC7IE | CC7INT | 00'005Ch | 17h |
| CAPCOM Register 8 | CC8IR | CC8IE | CC8INT | 00'0060h | 18h |
| CAPCOM Register 9 | CC9IR | CC9IE | CC9INT | 00'0064h | 19h |
| CAPCOM Register 10 | CC10IR | CC10IE | CC10INT | 00'0068h | 1Ah |
| CAPCOM Register 11 | CC11IR | CC11IE | CC11INT | 00'006Ch | 1Bh |
| CAPCOM Register 12 | CC12IR | CC12IE | CC12INT | 00'0070h | 1Ch |
| CAPCOM Register 13 | CC13IR | CC13IE | CC13INT | 00'0074h | 1Dh |
| CAPCOM Register 14 | CC14IR | CC14IE | CC14INT | 00'0078h | 1Eh |
| CAPCOM Register 15 | CC15IR | CC15IE | CC15INT | 00'007Ch | 1Fh |
| CAPCOM Register 16 | CC16IR | CC16IE | CC16INT | 00'00C0h | 30h |
| CAPCOM Register 17 | CC17IR | CC17IE | CC17INT | 00'00C4h | 31h |
| CAPCOM Register 18 | CC18IR | CC18IE | CC18INT | 00'00C8h | 32h |
| CAPCOM Register 19 | CC19IR | CC19IE | CC19INT | 00'00CCh | 33h |
| CAPCOM Register 20 | CC20IR | CC20IE | CC20INT | 00'00D0h | 34h |
| CAPCOM Register 21 | CC21IR | CC21IE | CC21INT | 00'00D4h | 35h |
| CAPCOM Register 22 | CC22IR | CC22IE | CC22INT | 00'00D8h | 36h |
| CAPCOM Register 23 | CC23IR | CC23IE | CC23INT | 00'00DCh | 37h |
| CAPCOM Register 24 | CC24IR | CC24IE | CC24INT | 00'00E0h | 38h |
| CAPCOM Register 25 | CC25IR | CC25IE | CC25INT | 00'00E4h | 39h |
| CAPCOM Register 26 | CC26IR | CC26IE | CC26INT | 00'00E8h | 3Ah |
| CAPCOM Register 27 | CC27IR | CC27IE | CC27INT | 00'00ECh | 3Bh |
| CAPCOM Register 28 | CC28IR | CC28IE | CC28INT | 00'00F0h | 3Ch |
| CAPCOM Register 29 | CC29IR | CC29IE | CC29INT | 00'0110h | 44h |
| CAPCOM Register 30 | CC30IR | CC30IE | CC30INT | 00'0114h | 45h |
| CAPCOM Register 31 | CC31IR | CC31IE | CC31INT | 00'0118h | 46h |
| CAPCOM Timer 0 | T0IR | T0IE | T0INT | 00'0080h | 20h |

Table 7 : Interrupt Sources (continued)

| Source of Interrupt or PEC Service Request | Request Flag | Enable Flag | Interrupt Vector | Vector Location | Trap Number |
|--|--------------|-------------|------------------|-----------------|-------------|
| CAPCOM Timer 1 | T1IR | T1IE | T1INT | 00'0084h | 21h |
| CAPCOM Timer 7 | T7IR | T7IE | T7INT | 00'00F4h | 3Dh |
| CAPCOM Timer 8 | T8IR | T8IE | T8INT | 00'00F8h | 3Eh |
| GPT1 Timer 2 | T2IR | T2IE | T2INT | 00'0088h | 22h |
| GPT1 Timer 3 | T3IR | T3IE | T3INT | 00'008Ch | 23h |
| GPT1 Timer 4 | T4IR | T4IE | T4INT | 00'0090h | 24h |
| GPT2 Timer 5 | T5IR | T5IE | T5INT | 00'0094h | 25h |
| GPT2 Timer 6 | T6IR | T6IE | T6INT | 00'0098h | 26h |
| GPT2 CAPREL Register | CRIR | CRIE | CRINT | 00'009Ch | 27h |
| A/D Conversion Complete | ADCIR | ADCIE | ADCINT | 00'00A0h | 28h |
| A/D Overrun Error | ADEIR | ADEIE | ADEINT | 00'00A4h | 29h |
| ASC0 Transmit | S0TIR | S0TIE | S0TINT | 00'00A8h | 2Ah |
| ASC0 Transmit Buffer | S0TBIR | S0TBIE | S0TBINT | 00'011Ch | 47h |
| ASC0 Receive | S0RIR | S0RIE | S0RINT | 00'00ACh | 2Bh |
| ASC0 Error | S0EIR | S0EIE | S0EINT | 00'00B0h | 2Ch |
| SSC Transmit | SCTIR | SCTIE | SCTINT | 00'00B4h | 2Dh |
| SSC Receive | SCRIR | SCRIE | SCRINT | 00'00B8h | 2Eh |
| SSC Error | SCEIR | SCEIE | SCEINT | 00'00BCh | 2Fh |
| PWM Channel 0...3 | PWMIR | PWMIE | PWMINT | 00'00FCh | 3Fh |
| CAN1 Interface | XP0IR | XP0IE | XP0INT | 00'0100h | 40h |
| CAN2 Interface | XP1IR | XP1IE | XP1INT | 00'0104h | 41h |
| FLASH Ready / Busy | XP2IR | XP2IE | XP2INT | 00'0108h | 42h |
| PLL Unlock/OWD | XP3IR | XP3IE | XP3INT | 00'010Ch | 43h |

Hardware traps are exceptions or error conditions that arise during run-time. They cause immediate non-maskable system reaction similar to a standard interrupt service (branching to a dedicated vector table location).

The occurrence of a hardware trap is additionally signified by an individual bit in the trap flag register (TFR). Except when another higher prioritized trap service is in progress, a hardware trap will interrupt any other program execution. Hardware trap services cannot not be interrupted by standard interrupt or by PEC interrupts.

8.3 - Interrupt Control Registers

All interrupt control registers are identically organized. The lower 8 bits of an interrupt control register contain the complete interrupt status information of the associated source, which is

required during one round of prioritization, the upper 8 bits of the respective register are reserved. All interrupt control registers are bit addressable and all bits can be read or written via software.

This allows each interrupt source to be programmed or modified with just one instruction. When accessing interrupt control registers through instructions which operate on Word data types, their upper 8 bits (15...8) will return zeros, when read, and will discard written data.

The layout of the Interrupt Control registers shown below applies to each xxIC register, where xx stands for the mnemonic for the respective source.

| xxIC (yyyyh / zzh) | | | | | | | | | | SFR Area | | | | Reset Value: - - 00h | |
|--------------------|----|----|----|----|----|---|---|------|------|----------|---|---|------|----------------------|---|
| 15 | 14 | 13 | 12 | 11 | 10 | 9 | 8 | 7 | 6 | 5 | 4 | 3 | 2 | 1 | 0 |
| - | - | - | - | - | - | - | - | xxIR | xxIE | ILVL | | | GLVL | | |
| | | | | | | | | RW | RW | RW | | | RW | | |

| Bit | Function |
|------|--|
| GLVL | Group Level Defines the internal order for simultaneous requests of the same priority. 3: Highest group priority 0: Lowest group priority |
| ILVL | Interrupt Priority Level Defines the priority level for the arbitration of requests. Fh: Highest priority level 0h: Lowest priority level |
| xxIE | Interrupt Enable Control Bit (individually enables/disables a specific source) '0': Interrupt Request is disabled '1': Interrupt Request is enabled |
| xxIR | Interrupt Request Flag '0': No request pending '1': This source has raised an interrupt request |

8.4 - Exception and Error Traps List

Table 8 shows all of the possible exceptions or error conditions that can arise during run-time:

Table 8 : Trap Priorities

| Exception Condition | Trap Flag | Trap Vector | Vector Location | Trap Number | Trap* Priority |
|--|--|---|--|---------------------------------|----------------------------|
| Reset Functions: Hardware Reset Software Reset Watchdog Timer Overflow | | RESET RESET RESET | 00'0000h 00'0000h 00'0000h | 00h 00h 00h | III III III |
| Class A Hardware Traps: Non-Maskable Interrupt Stack Overflow Stack Underflow | NMI STKOF STKUF | NMITRAP STOTRAP STUTRAP | 00'0008h 00'0010h 00'0018h | 02h 04h 06h | II II II |
| Class B Hardware Traps: Undefined Opcode Protected Instruction Fault Illegal word Operand Access Illegal Instruction Access Illegal External Bus Access | UNDOPC PRTFLT ILLOPA ILLINA ILLBUS | BTRAP BTRAP BTRAP BTRAP BTRAP | 00'0028h 00'0028h 00'0028h 00'0028h 00'0028h | 0Ah 0Ah 0Ah 0Ah 0Ah | I I I I I |
| Reserved | | | [002Ch - 003Ch] | [0Bh - 0Fh] | |
| Software Traps TRAP Instruction | | | Any 0000h – 01FCh in steps of 4h | Any [00h - 7Fh] | Current CPU Priority |

* - All the class B traps have the same trap number (and vector) and the same lower priority compare to the class A traps and to the resets.

- Each class A traps has a dedicated trap number (and vector). They are prioritized in the second priority level.

- The resets have the highest priority level and the same trap number.

- The PSW.ILVL CPU priority is forced to the highest level (15) when these exceptions are serviced.

9 - CAPTURE/COMPARE (CAPCOM) UNITS

The ST10F269 has two 16 channels CAPCOM units as described in Figure 12. These support generation and control of timing sequences on up to 32 channels with a maximum resolution of 200ns at 40MHz CPU clock on PQFP144 devices and 250ns at 32MHz CPU clock on TQFP144 devices. The CAPCOM units are typically used to handle high speed I/O tasks such as pulse and waveform generation, pulse width modulation (PMW), Digital to Analog (D/A) conversion, software timing, or time recording relative to external events.

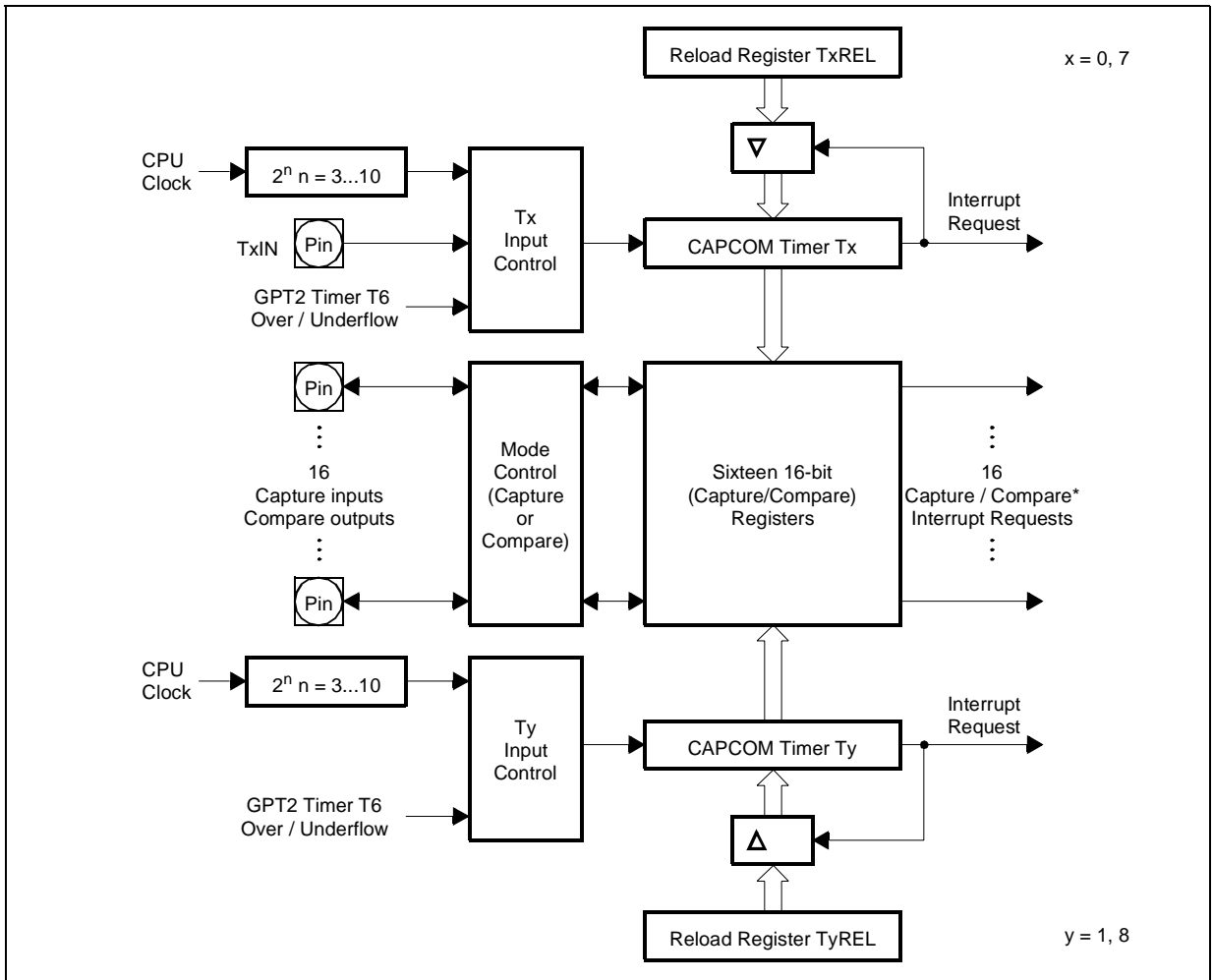
Four 16-bit timers (T0/T1, T7/T8) with reload registers provide two independent time bases for the capture/compare register array (See Figures Figure 13 and Figure 14).

The input clock for the timers is programmable to several prescaled values of the internal system clock, or may be derived from an overflow/

underflow of timer T6 in module GPT2. This provides a wide range of variation for the timer period and resolution and allows precise adjustments to application specific requirements. In addition, external count inputs for CAPCOM timers T0 and T7 allow event scheduling for the capture/compare registers relative to external events.

Each of the two capture/compare register arrays contain 16 dual purpose capture/compare registers, each of which may be individually allocated to either CAPCOM timer T0 or T1 (T7 or T8, respectively), and programmed for capture or compare functions. Each of the 32 registers has one associated port pin which serves as an input pin for triggering the capture function, or as an output pin to indicate the occurrence of a compare event. Figure 12 shows the basic structure of the two CAPCOM units.

Figure 12 : CAPCOM Unit Block Diagram



* The CAPCOM2 unit provides 16 capture inputs, but only 12 compare outputs. CC24I to CC27I are inputs only.

Figure 13 : Block Diagram of CAPCOM Timers T0 and T7

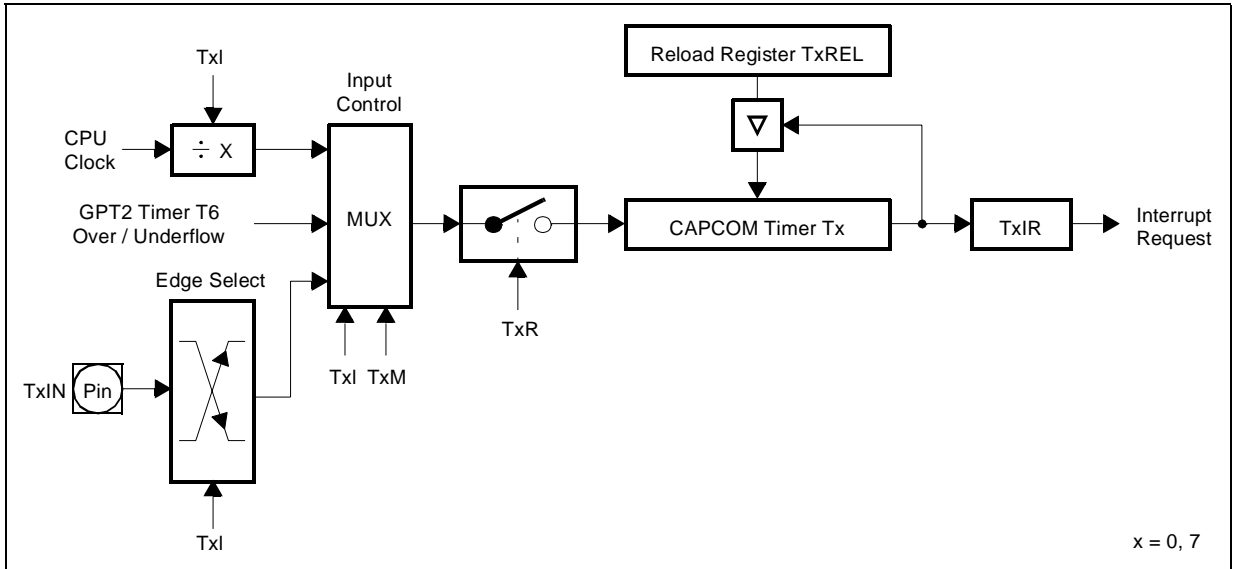
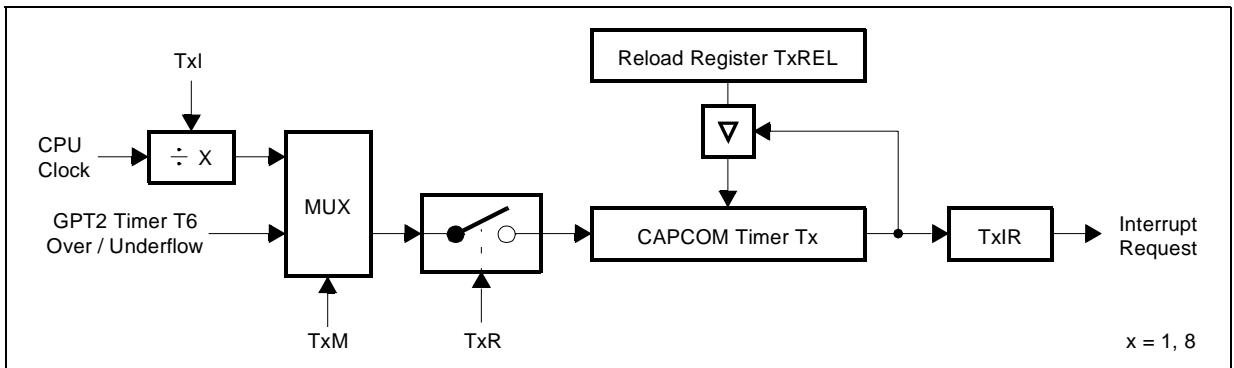


Figure 14 : Block Diagram of CAPCOM Timers T1 and T8



Note: When an external input signal is connected to the input lines of both T0 and T7, these timers count the input signal synchronously. Thus the two timers can be regarded as one timer whose contents can be compared with 32 capture registers.

When a capture/compare register has been selected for capture mode, the current contents of the allocated timer will be latched (captured) into the capture/compare register in response to an external event at the port pin which is associated with this register. In addition, a specific interrupt request for this capture/compare register is generated.

Either a positive, a negative, or both a positive and a negative external signal transition at the pin can be selected as the triggering event. The contents of all registers which have been selected for one of the five compare modes are continuously

compared with the contents of the allocated timers.

When a match occurs between the timer value and the value in a capture /compare register, specific actions will be taken based on the selected compare mode (see Table 9).

The input frequencies f_{Tx} , for the timer input selector Tx, are determined as a function of the CPU clocks. The timer input frequencies, resolution and periods which result from the selected pre-scaler option in TxI when using a 40MHz CPU clock on PQFP144 devices (or a 32MHz CPU clock on TQFP144 devices) are listed in Table 10 and Table 11 .

The numbers for the timer periods are based on a reload value of 0000h. Note that some numbers may be rounded to 3 significant figures.

Table 9 : Compare Modes

| Compare Modes | Function |
|----------------------|--|
| Mode 0 | Interrupt-only compare mode; several compare interrupts per timer period are possible |
| Mode 1 | Pin toggles on each compare match; several compare events per timer period are possible |
| Mode 2 | Interrupt-only compare mode; only one compare interrupt per timer period is generated |
| Mode 3 | Pin set '1' on match; pin reset '0' on compare time overflow; only one compare event per timer period is generated |
| Double Register Mode | Two registers operate on one pin; pin toggles on each compare match; several compare events per timer period are possible. |

Table 10 : CAPCOM Timer Input Frequencies, Resolution and Periods (PQFP144 devices)

| $f_{CPU} = 40\text{MHz}$ | Timer Input Selection TxI | | | | | | | |
|--------------------------|---------------------------|--------|-------------|-------------|-------------|-------------|--------------|--------------|
| | 000b | 001b | 010b | 011b | 100b | 101b | 110b | 111b |
| Pre-scaler for f_{CPU} | 8 | 16 | 32 | 64 | 128 | 256 | 512 | 1024 |
| Input Frequency | 5MHz | 2.5MHz | 1.25MHz | 625kHz | 312.5kHz | 156.25kHz | 78.125kHz | 39.1kHz |
| Resolution | 200ns | 400ns | 0.8 μ s | 1.6 μ s | 3.2 μ s | 6.4 μ s | 12.8 μ s | 25.6 μ s |
| Period | 13.1ms | 26.2ms | 52.4ms | 104.8ms | 209.7ms | 419.4ms | 838.9ms | 1.678s |

Table 11 : CAPCOM Timer Input Frequencies, Resolution and Periods (TQFP144 devices)

| $f_{CPU} = 32\text{MHz}$ | Timer Input Selection TxI | | | | | | | |
|--------------------------|---------------------------|--------|-----------|-----------|-----------|-----------|------------|------------|
| | 000b | 001b | 010b | 011b | 100b | 101b | 110b | 111b |
| Pre-scaler for f_{CPU} | 8 | 16 | 32 | 64 | 128 | 256 | 512 | 1024 |
| Input Frequency | 4MHz | 2MHz | 1MHz | 500KHz | 250KHz | 125KHz | 62.5KHz | 31.125KHz |
| Resolution | 250ns | 500ns | 1 μ s | 2 μ s | 4 μ s | 8 μ s | 16 μ s | 32 μ s |
| Period | 16.4ms | 32.8ms | 65.5ms | 131ms | 262.1ms | 524.3ms | 1.05s | 2.1s |

10 - GENERAL PURPOSE TIMER UNIT

The GPT unit is a flexible multifunctional timer/counter structure which is used for time related tasks such as event timing and counting, pulse width and duty cycle measurements, pulse generation, or pulse multiplication. The GPT unit contains five 16-bit timers organized into two separate modules GPT1 and GPT2. Each timer in each module may operate independently in several different modes, or may be concatenated with another timer of the same module.

10.1 - GPT1

Each of the three timers T2, T3, T4 of the GPT1 module can be configured individually for one of four basic modes of operation: **timer, gated timer, counter mode and incremental interface mode.**

In timer mode, the input clock for a timer is derived from the CPU clock, divided by a programmable prescaler.

In counter mode, the timer is clocked in reference to external events.

Pulse width or duty cycle measurement is supported in gated timer mode where the operation of a timer is controlled by the 'gate' level on an external input pin. For these purposes, each timer has one associated port pin (TxIN) which serves as gate or clock input.

Table 12 GPT1 Timer Input Frequencies, Resolution and Periods (PQFP144 devices) and Table 13 GPT1 Timer Input Frequencies, Resolution and Periods (TQFP144 devices) list the timer input frequencies, resolution and periods for each pre-scaler option at 40MHz (Table 12 GPT1 Timer Input Frequencies, Resolution and Periods (PQFP144 devices)) or 32MHz (Table 13 GPT1 Timer Input Frequencies, Resolution and Periods (TQFP144 devices)) CPU clock. This also

applies to the Gated Timer Mode of T3 and to the auxiliary timers T2 and T4 in Timer and Gated Timer Mode. The count direction (up/down) for each timer is programmable by software or may be altered dynamically by an external signal on a port pin (TxEUD).

In Incremental Interface Mode, the GPT1 timers (T2, T3, T4) can be directly connected to the incremental position sensor signals A and B by their respective inputs TxIN and TxEUD.

Direction and count signals are internally derived from these two input signals so that the contents of the respective timer Tx corresponds to the sensor position. The third position sensor signal TOP0 can be connected to an interrupt input.

Timer T3 has output toggle latches (TxOTL) which changes state on each timer over flow / underflow. The state of this latch may be output on port pins (TxOUT) for time out monitoring of external hardware components, or may be used internally to clock timers T2 and T4 for high resolution of long duration measurements.

In addition to their basic operating modes, timers T2 and T4 may be configured as reload or capture registers for timer T3. When used as capture or reload registers, timers T2 and T4 are stopped. The contents of timer T3 is captured into T2 or T4 in response to a signal at their associated input pins (TxIN).

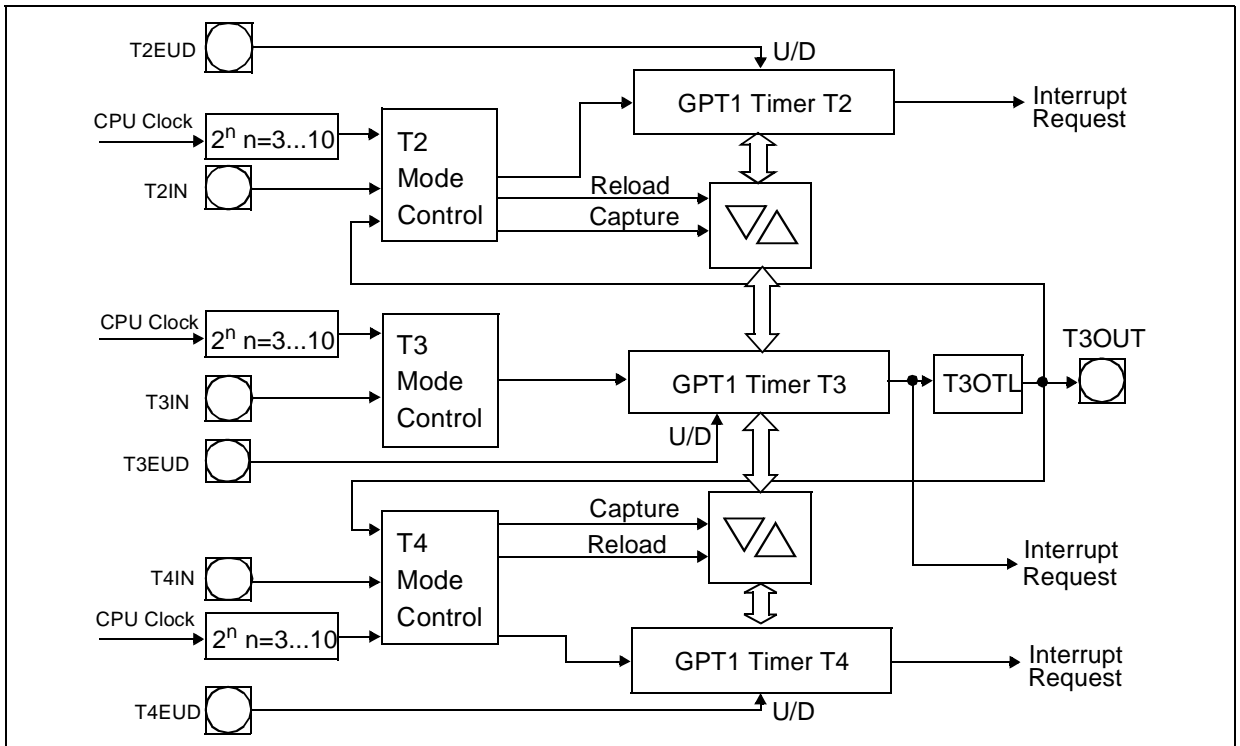
Timer T3 is reloaded with the contents of T2 or T4 triggered either by an external signal or by a selectable state transition of its toggle latch T3OTL. When both T2 and T4 are configured to alternately reload T3 on opposite state transitions of T3OTL with the low and high times of a PWM signal, this signal can be constantly generated without software intervention.

Table 12 : GPT1 Timer Input Frequencies, Resolution and Periods (PQFP144 devices)

| f _{CPU} = 40MHz | Timer Input Selection T2I / T3I / T4I | | | | | | | |
|--------------------------|---------------------------------------|--------|---------|---------|----------|-----------|-----------|---------|
| | 000b | 001b | 010b | 011b | 100b | 101b | 110b | 111b |
| Pre-scaler factor | 8 | 16 | 32 | 64 | 128 | 256 | 512 | 1024 |
| Input Freq | 5MHz | 2.5MHz | 1.25MHz | 625kHz | 312.5kHz | 156.25kHz | 78.125kHz | 39.1kHz |
| Resolution | 200ns | 400ns | 0.8µs | 1.6µs | 3.2µs | 6.4µs | 12.8µs | 25.6µs |
| Period maximum | 13.1ms | 26.2ms | 52.4ms | 104.8ms | 209.7ms | 419.4ms | 838.9ms | 1.678s |

Table 13 : GPT1 Timer Input Frequencies, Resolution and Periods (TQFP144 devices)

| $f_{CPU} = 32MHz$ | Timer Input Selection T2I / T3I / T4I | | | | | | | |
|-------------------|---------------------------------------|--------|-----------|-----------|-----------|-----------|------------|------------|
| | 000b | 001b | 010b | 011b | 100b | 101b | 110b | 111b |
| Pre-scaler factor | 8 | 16 | 32 | 64 | 128 | 256 | 512 | 1024 |
| Input Freq | 4MHz | 2MHz | 1MHz | 500KHz | 250KHz | 125KHz | 62.5KHz | 31.125KHz |
| Resolution | 250ns | 500ns | 1 μ s | 2 μ s | 4 μ s | 8 μ s | 16 μ s | 32 μ s |
| Period maximum | 16.4ms | 32.8ms | 65.5ms | 131ms | 262.1ms | 524.3ms | 1.05s | 2.1s |

Figure 15 : Block Diagram of GPT1

10.2 - GPT2

The GPT2 module provides precise event control and time measurement. It includes two timers (T5, T6) and a capture/reload register (CAPREL). Both timers can be clocked with an input clock which is derived from the CPU clock via a programmable prescaler or with external signals. The count direction (up/down) for each timer is programmable by software or may additionally be altered dynamically by an external signal on a port pin (TxEUD). Concatenation of the timers is supported via the output toggle latch (T6OTL) of timer T6 which changes its state on each timer overflow/underflow.

The state of this latch may be used to clock timer T5, or it may be output on a port pin (T6OUT). The overflow / underflow of timer T6 can additionally

be used to clock the CAPCOM timers T0 or T1, and to cause a reload from the CAPREL register. The CAPREL register may capture the contents of timer T5 based on an external signal transition on the corresponding port pin (CAPIN), and timer T5 may optionally be cleared after the capture procedure. This allows absolute time differences to be measured or pulse multiplication to be performed without software overhead.

The capture trigger (timer T5 to CAPREL) may also be generated upon transitions of GPT1 timer T3 inputs T3IN and/or T3EUD. This is advantageous when T3 operates in Incremental Interface Mode.

Table 14 GPT2 Timer Input Frequencies, Resolution and Period (PQFP144 devices) and Table 15 GPT2 Timer Input Frequencies,

Resolution and Period (TQFP144 devices) list the timer input frequencies, resolution and periods for each pre-scaler option at 40MHz (or 32MHz) CPU clock. This also applies to the Gated Timer Mode of T6 and to the auxiliary timer T5 in Timer and Gated Timer Mode.

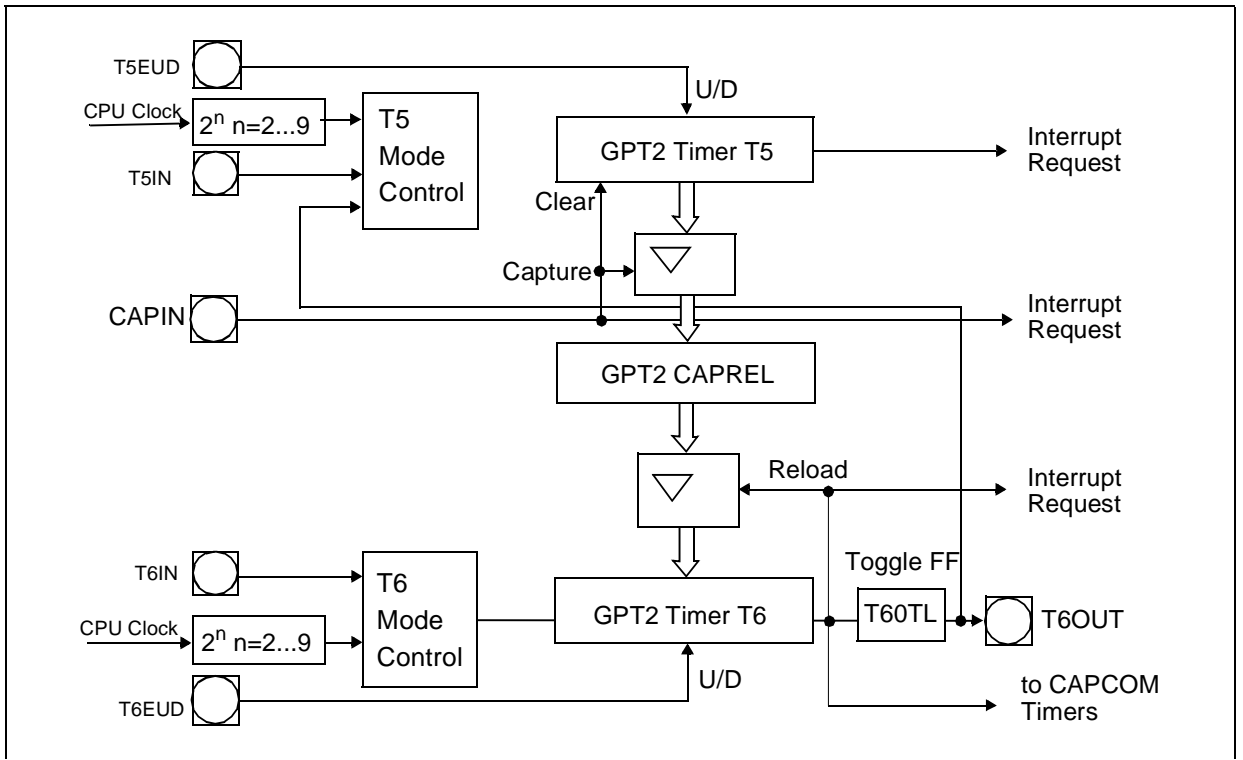
Table 14 : GPT2 Timer Input Frequencies, Resolution and Period (PQFP144 devices)

| $f_{\text{CPU}} = 40\text{MHz}$ | Timer Input Selection T5I / T6I | | | | | | | |
|---------------------------------|---------------------------------|--------|--------|-------------------|-------------------|-------------------|-------------------|--------------------|
| | 000b | 001b | 010b | 011b | 100b | 101b | 110b | 111b |
| Pre-scaler factor | 4 | 8 | 16 | 32 | 64 | 128 | 256 | 512 |
| Input Freq | 10MHz | 5MHz | 2.5MHz | 1.25MHz | 625kHz | 312.5kHz | 156.25kHz | 78.125kHz |
| Resolution | 100ns | 200ns | 400ns | 0.8 μs | 1.6 μs | 3.2 μs | 6.4 μs | 12.8 μs |
| Period maximum | 6.55ms | 13.1ms | 26.2ms | 52.4ms | 104.8ms | 209.7ms | 419.4ms | 838.9ms |

Table 15 : GPT2 Timer Input Frequencies, Resolution and Period (TQFP144 devices)

| $f_{\text{CPU}} = 32\text{MHz}$ | Timer Input Selection T5I / T6I | | | | | | | |
|---------------------------------|---------------------------------|--------|--------|-----------------|-----------------|-----------------|-----------------|------------------|
| | 000b | 001b | 010b | 011b | 100b | 101b | 110b | 111b |
| Pre-scaler factor | 4 | 8 | 16 | 32 | 64 | 128 | 256 | 512 |
| Input Freq | 8MHz | 4MHz | 2MHz | 1MHz | 500KHz | 250KHz | 125KHz | 62.5KHz |
| Resolution | 125ns | 250ns | 500ns | 1 μs | 2 μs | 4 μs | 8 μs | 16 μs |
| Period maximum | 8.19ms | 16.4ms | 32.8ms | 65.5ms | 131ms | 262.1ms | 524.3ms | 1.05s |

Figure 16 : Block Diagram of GPT2



11 - PWM MODULE

The pulse width modulation module can generate up to four PWM output signals using edge-aligned or centre-aligned PWM. In addition, the PWM module can generate PWM burst signals and

single shot outputs. Table 16 and Table 17 show the PWM frequencies for different resolutions. The level of the output signals is selectable and the PWM module can generate interrupt requests.

Figure 17 : Block Diagram of PWM Module

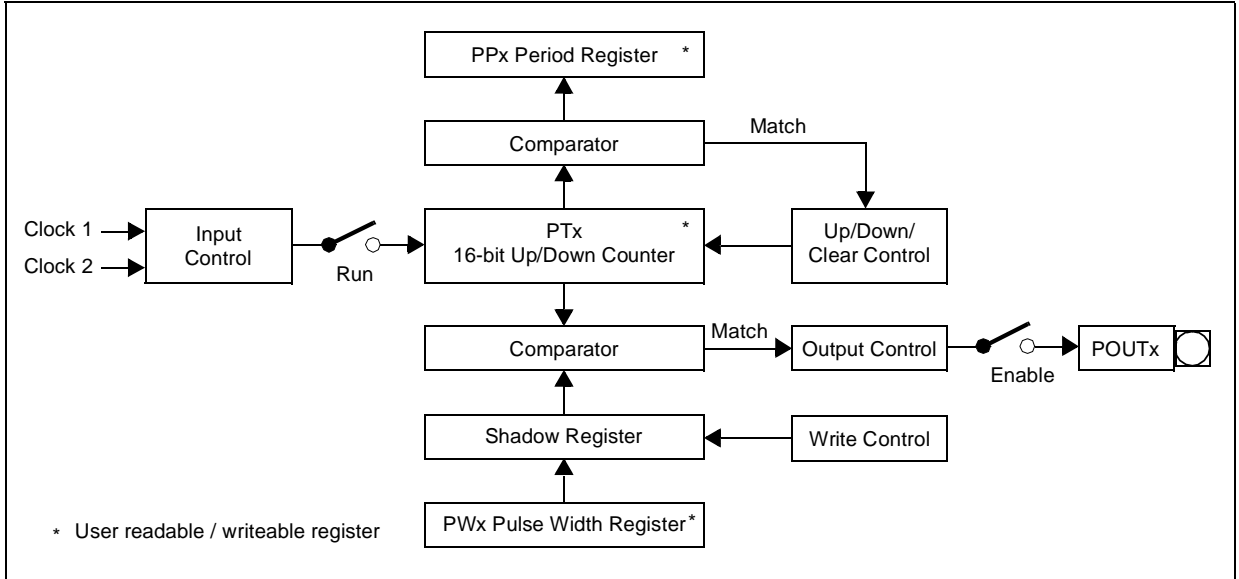


Table 16 : PWM Unit Frequencies and Resolution at 40MHz CPU Clock (PQFP144 devices)

| Mode 0 | Resolution | 8-bit | 10-bit | 12-bit | 14-bit | 16-bit |
|--------------|------------|-----------|----------|---------|---------|----------|
| CPU Clock/1 | 25ns | 156.25kHz | 39.1kHz | 9.77kHz | 2.44Hz | 610Hz |
| CPU Clock/64 | 1.6µs | 2.44Hz | 610Hz | 152.6Hz | 38.15Hz | 9.54Hz |
| Mode 1 | Resolution | 8-bit | 10-bit | 12-bit | 14-bit | 16-bit |
| CPU Clock/1 | 25ns | 78.12kHz | 19.53kHz | 4.88kHz | 1.22kHz | 305.17Hz |
| CPU Clock/64 | 1.6µs | 1.22kHz | 305.17Hz | 76.29Hz | 19.07Hz | 4.77Hz |

Table 17 : PWM Unit Frequencies and Resolution at 32MHz CPU Clock (TQFP144 devices)

| Mode 0 | Resolution | 8-bit | 10-bit | 12-bit | 14-bit | 16-bit |
|--------------|------------|----------|----------|---------|----------|---------|
| CPU Clock/1 | 31.25ns | 125KHz | 31.25KHz | 7.81KHz | 1.953KHz | 976.6Hz |
| CPU Clock/64 | 2.00µs | 1.953KHz | 488.3Hz | 122.1Hz | 30.52Hz | 7.63Hz |
| Mode 1 | Resolution | 8-bit | 10-bit | 12-bit | 14-bit | 16-bit |
| CPU Clock/1 | 31.25ns | 62.5KHz | 15.62KHz | 3.90KHz | 976.6Hz | 244.1Hz |
| CPU Clock/64 | 2.00µs | 976.6Hz | 244.1Hz | 61Hz | 15.26Hz | 3.81Hz |

12 - PARALLEL PORTS

12.1 - Introduction

The ST10F269 MCU provides up to 111 I/O lines with programmable features. These capabilities bring very flexible adaptation of this MCU to wide range of applications.

ST10F269 has 9 groups of I/O lines gathered as following:

- Port 0 is a 2 time 8-bit port named P0L (Low as less significant Byte) and P0H (high as most significant Byte)
- Port 1 is a 2 time 8-bit port named P1L and P1H
- Port 2 is a 16-bit port
- Port 3 is a 15-bit port (P3.14 line is not implemented)
- Port 4 is a 8-bit port
- Port 5 is a 16-bit port input only
- Port 6, Port 7 and Port 8 are 8-bit port

These ports may be used as general purpose bidirectional input or output, software controlled with dedicated registers.

For example the output drivers of six of the ports (2, 3, 4, 6, 7, 8) can be configured (bit-wise) for push-pull or open drain operation using ODPx registers.

In addition, the sink and the source capability and the rise / fall time of the transition of the signal of some of the push-pull buffers can be programmed to fit the driving requirements of the application and to minimize EMI. This feature is implemented on Port 0, 1, 2, 3, 4, 6, 7 and 8 with the control registers POCONx. The output drivers capabilities of ALE, \overline{RD} , \overline{WR} control lines are programmable with the dedicated bits of POCON20 control register.

The input threshold levels are programmable (TTL/CMOS) for 5 ports (2, 3, 4, 7, 8). The logic level of a pin is clocked into the input latch once per state time, regardless whether the port is configured for input or output. The threshold is selected with the PICON register control bits.

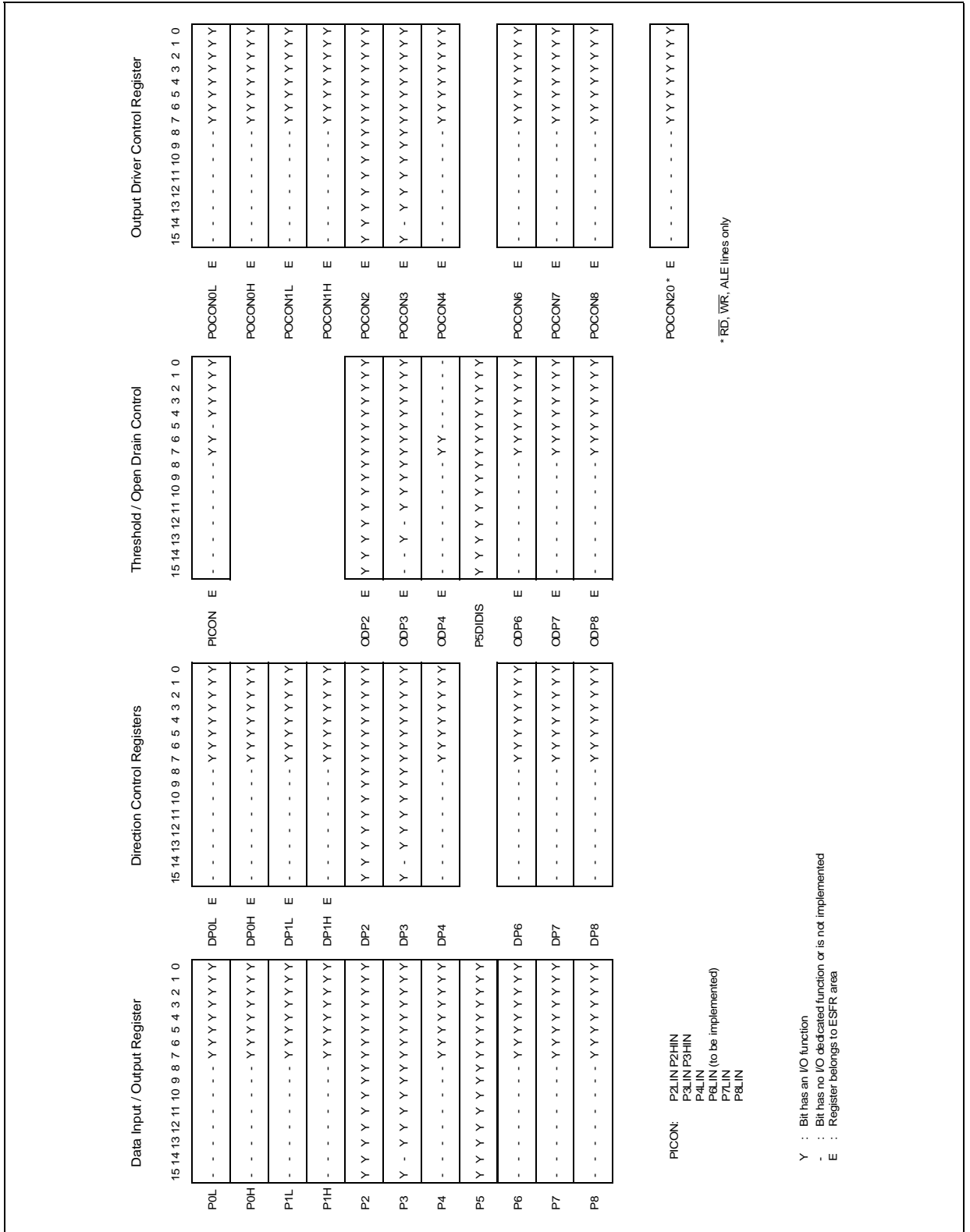
A write operation to a port pin configured as an input causes the value to be written into the port output latch, while a read operation returns the latched state of the pin itself. A read-modify-write operation reads the value of the pin, modifies it, and writes it back to the output latch.

Writing to a pin configured as an output (DPx.y='1') causes the output latch and the pin to have the written value, since the output buffer is enabled. Reading this pin returns the value of the output latch. A read-modify-write operation reads

the value of the output latch, modifies it, and writes it back to the output latch, thus also modifying the level at the pin.

I/O lines support an alternate function which is detailed in the following description of each port.

Figure 18 : SFRs and Pins Associated with the Parallel Ports



12.2 - I/O's Special Features

12.2.1 - Open Drain Mode

Some of the I/O ports of ST10F269 support the open drain capability. This programmable feature may be used with an external pull-up resistor, in order to get an AND wired logical function.

This feature is implemented for ports P2, P3, P4, P6, P7 and P8 (see respective sections), and is controlled through the respective Open Drain Control Registers ODPx. These registers allow the individual bit-wise selection of the open drain mode for each port line. If the respective control bit ODPx.y is '0' (default after reset), the output driver is in the push-pull mode. If ODPx.y is '1', the open drain configuration is selected. Note that all ODPx registers are located in the ESRF space (See Figure 19).

12.2.2 - Input Threshold Control

The standard inputs of the ST10F269 determine the status of input signals according to TTL levels. In order to accept and recognize noisy signals, CMOS-like input thresholds can be selected instead of the standard TTL thresholds for all pins of Port 2, Port 3, Port 4, Port 7 and Port 8. These special thresholds are defined above the TTL thresholds and feature a defined hysteresis to prevent the inputs from toggling while the respective input signal level is near the thresholds.

The Port Input Control register PICON is used to select these thresholds for each Byte of the indicated ports, this means the 8-bit ports P4, P7 and P8 are controlled by one bit each while ports P2 and P3 are controlled by two bits each.

All options for individual direction and output mode control are available for each pin, independent of the selected input threshold. The input hysteresis provides stable inputs from noisy or slowly changing external signals (See Figure 20).

| PICON (F1C4h / E2h) | | | | | | | | ESFR | | | | | | | Reset Value: --00h |
|---------------------|----|----|----|----|----|---|---|-------|-------|---|-------|-------|-------|-------|--------------------|
| 15 | 14 | 13 | 12 | 11 | 10 | 9 | 8 | 7 | 6 | 5 | 4 | 3 | 2 | 1 | 0 |
| - | - | - | - | - | - | - | - | P8LIN | P7LIN | - | P4LIN | P3HIN | P3LIN | P2HIN | P2LIN |
| | | | | | | | | RW | RW | | RW | RW | RW | RW | RW |

| Bit | Function |
|-------|--|
| PxLIN | Port x Low Byte Input Level Selection 0: Pins Px.7...Px.0 switch on standard TTL input levels 1: Pins Px.7...Px.0 switch on special threshold input levels |
| PxHIN | Port x High Byte Input Level Selection 0: Pins Px.15...Px.8 switch on standard TTL input levels 1: Pins Px.15...Px.8 switch on special threshold input levels |

Figure 19 : Output Drivers in Push-pull Mode and in Open Drain Mode

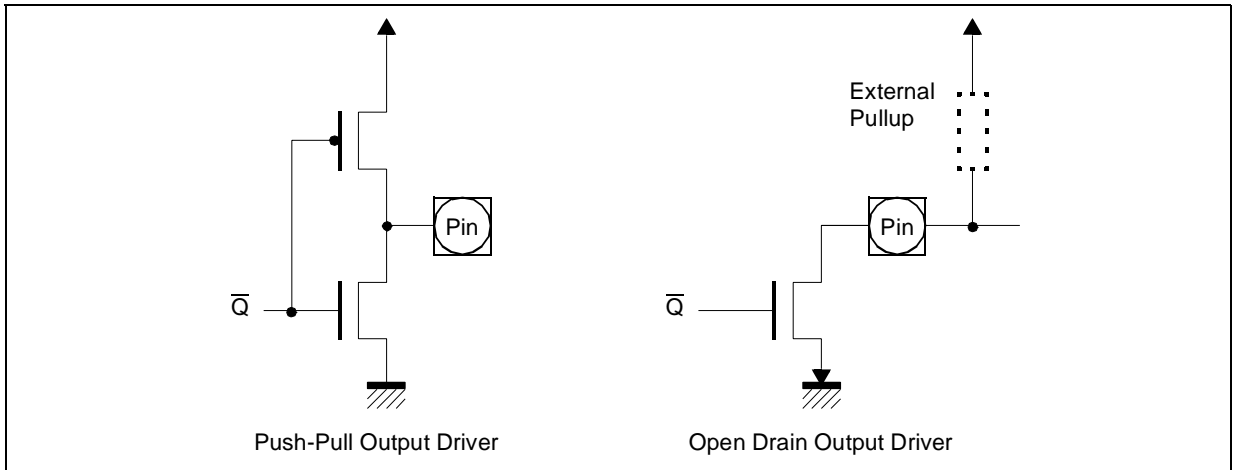
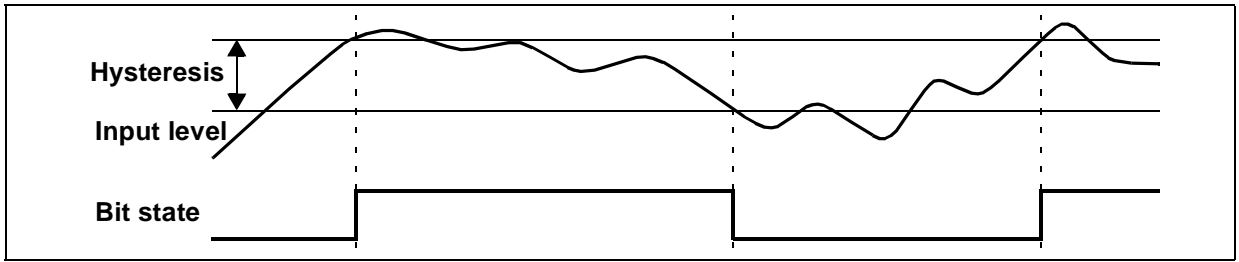


Figure 20 : Hysteresis for Special Input Thresholds



12.2.3 - Output Driver Control

The port output control registers POCONx allow to select the port output driver characteristics of a port. The aim of these selections is to adapt the output drivers to the application's requirements, and to improve the EMI behaviour of the device. Two characteristics may be selected:

Edge characteristic defines the rise/fall time for the respective output. Slow edges reduce the peak currents that are sinked/sourced when changing the voltage level of an external capacitive load. For a bus interface or pins that are changing at frequency higher than 1MHz, however, fast edges may still be required.

Driver characteristic defines either the general driving capability of the respective driver, or if the

driver strength is reduced after the target output level has been reached or not. Reducing the driver strength increases the output's internal resistance, which attenuates noise that is imported via the output line. For driving LEDs or power transistors, however, a stable high output current may still be required as described below.

This rise / fall time of 4 I/O pads (a nibble) is selected using 2-bit named **PNxEC**. That means **Port Nibble (x = nibble number, it could be 3 as for Port 2.15 to 2.12) Edge Characteristic**.

The sink / source capability of the same 4 I/O pads is selected using 2-bit named **PNxDC**. That means **Port Nibble (x = nibble number) Drive Characteristic (See Table 18)**.

POCONx (F0yyh / zzh) for 8-bit Ports

ESFR

Reset Value: --00h

| | | | | | | | | | | | | | | | |
|----|----|----|----|----|----|---|---|-------|-------|-------|-------|---|---|---|---|
| 15 | 14 | 13 | 12 | 11 | 10 | 9 | 8 | 7 | 6 | 5 | 4 | 3 | 2 | 1 | 0 |
| - | - | - | - | - | - | - | - | PN1DC | PN1EC | PN0DC | PN0EC | | | | |
| | | | | | | | | RW | RW | RW | RW | | | | |

POCONx (F0yyh / zzh) for 16-bit Ports

ESFR

Reset Value: 0000h

| | | | | | | | | | | | | | | | |
|-------|-------|-------|-------|-------|-------|-------|-------|---|---|---|---|---|---|---|---|
| 15 | 14 | 13 | 12 | 11 | 10 | 9 | 8 | 7 | 6 | 5 | 4 | 3 | 2 | 1 | 0 |
| PN3DC | PN3EC | PN2DC | PN2EC | PN1DC | PN1EC | PN0DC | PN0EC | | | | | | | | |
| RW | RW | RW | RW | RW | RW | RW | RW | | | | | | | | |

| Bit | Function |
|-------|--|
| PNxEC | <p>Port Nibble x Edge Characteristic (rise/fall time)</p> <p>00: Fast edge mode, rise/fall times depend on the size of the driver.</p> <p>01: Slow edge mode, rise/fall times ~60 ns</p> <p>10: Reserved</p> <p>11: Reserved</p> |
| PNxDC | <p>Port Nibble x Driver Characteristic (output current)</p> <p>00: High Current mode: Driver always operates with maximum strength.</p> <p>01: Dynamic Current mode: Driver strength is reduced after the target level has been reached.</p> <p>10: Low Current mode: Driver always operates with reduced strength.</p> <p>11: Reserved</p> |

Note: In case of reading an 8 bit POCONX register, high Byte (bit 15..8) is read as 00h

The table lists the defined POCON registers and the allocation of control bit-fields and port pins.

Table 18 : Port Control Register Allocation

| Control Register | Physical Address | 8-bit Address | Controlled Port Nibble | | | |
|------------------|------------------|---------------|------------------------|-----------|-----------|-----------|
| | | | 3 | 2 | 1 | 0 |
| POCON0L | F080h | 40h | | | P0L.7...4 | P0L.3...0 |
| POCON0H | F082h | 41h | | | P0H.7...4 | P0H.3...0 |
| POCON1L | F084h | 42h | | | P1L.7...4 | P1L.3...0 |
| POCON1H | F086h | 43h | | | P1H.7...4 | P1H.3...0 |
| POCON2 | F088h | 44h | P2.15...12 | P2.11...8 | P2.7...4 | P2.3...0 |
| POCON3 | F08Ah | 45h | P3.15, 3.13, 3.12 | P3.11...8 | P3.7...4 | P3.3...0 |
| POCON4 | F08Ch | 46h | | | P4.7...4 | P4.3...0 |
| POCON6 | F08Eh | 47h | | | P6.7...4 | P6.3...0 |
| POCON7 | F090h | 48h | | | P7.7...4 | P7.3...0 |
| POCON8 | F092h | 49h | | | P8.7...4 | P8.3...0 |

Dedicated Pins Output Control

Programmable pad drivers also are supported for the dedicated pins ALE, \overline{RD} and \overline{WR} . For these pads, a special POCON20 register is provided.

POCON20 (F0AAh / 55h)

ESFR

Reset Value: --00h

| 15 | 14 | 13 | 12 | 11 | 10 | 9 | 8 | 7 | 6 | 5 | 4 | 3 | 2 | 1 | 0 |
|----|----|----|----|----|----|---|---|---|-------|-------|-------|-------|---|---|---|
| - | - | - | - | - | - | - | - | - | PN1DC | PN1EC | PN0DC | PN0EC | | | |
| | | | | | | | | | RW | RW | RW | RW | | | |

| | |
|-------|---|
| PN0EC | \overline{RD}, \overline{WR} Edge Characteristic (rise/fall time) 00: Fast edge mode, rise/fall times depend on the size of the driver. 01: Slow edge mode, rise/fall times ~60 ns 10: Reserved 11: Reserved |
| PN0DC | \overline{RD}, \overline{WR} Driver Characteristic (output current) 00: High Current mode: Driver always operates with maximum strength. 01: Dynamic Current mode: Driver strength is reduced after the target level has been reached. 10: Low Current mode: Driver always operates with reduced strength. 11: Reserved |
| PN1EC | ALE Edge Characteristic (rise/fall time) 00: Fast edge mode, rise/fall times depend on the size of the driver. 01: Slow edge mode, rise/fall times ~60 ns 10: Reserved 11: Reserved |
| PN1DC | ALE Driver Characteristic (output current) 00: High Current mode: Driver always operates with maximum strength. 01: Dynamic Current mode: Driver strength is reduced after the target level has been reached. 10: Low Current mode: Driver always operates with reduced strength. 11: Reserved |

12.2.4 - Alternate Port Functions

Each port line has one associated programmable alternate input or output function.

- PORT0 and PORT1 may be used as address and data lines when accessing external memory.
- Port 2, Port 7 and Port 8 are associated with the capture inputs or compare outputs of the CAP-COM units and/or with the outputs of the PWM module.
Port 2 is also used for fast external interrupt inputs and for timer 7 input.
- Port 3 includes the alternate functions of timers, serial interfaces, the optional bus control signal BHE and the system clock output (CLKOUT).
- Port 4 outputs the additional segment address bit A16 to A23 in systems where segmentation is enabled to access more than 64K Bytes of memory.
- Port 5 is used as analog input channels of the A/D converter or as timer control signals.
- Port 6 provides optional bus arbitration signals (BREQ, HLDA, HOLD) and chip select signals.

If an alternate output function of a pin is to be used, the direction of this pin must be programmed for output (DPx.y='1'), except for some signals that are used directly after reset and are configured automatically. Otherwise the pin remains in the high-impedance state and is not effected by the alternate output function. The respective port latch should hold a '1', because its output is ANDed with the alternate output data (except for PWM output signals).

If an alternate input function of a pin is used, the direction of the pin must be programmed for input (DPx.y='0') if an external device is driving the pin. The input direction is the default after reset. If no external device is connected to the pin, however, one can also set the direction for this pin to output.

```
SINGLE_BIT: BSET      P4.7           ; Initial output level is "high"
           BSET      DP4.7         ; Switch on the output driver
BIT_GROUP: BFLDH     P4, #24H, #24H ; Initial output level is "high"
           BFLDH     DP4, #24H, #24H ; Switch on the output drivers
```

Note: When using several BSET pairs to control more pins of one port, these pairs must be separated by instructions, which do not apply to the respective port (See Chapter : *Central Processing Unit (CPU)* on page 35).

In this case, the pin reflects the state of the port output latch. Thus, the alternate input function reads the value stored in the port output latch. This can be used for testing purposes to allow a software trigger of an alternate input function by writing to the port output latch.

On most of the port lines, the application software must set the proper direction when using an alternate input or output function of a pin. This is done by setting or clearing the direction control bit DPx.y of the pin before enabling the alternate function. There are port lines, however, where the direction of the port line is switched automatically.

For instance, in the multiplexed external bus modes of PORT0, the direction must be switched several times for an instruction fetch in order to output the addresses and to input the data. Obviously, this cannot be done through instructions. In these cases, the direction of the port line is switched automatically by hardware if the alternate function of such a pin is enabled.

To determine the appropriate level of the port output latches check how the alternate data output is combined with the respective port latch output.

There is one basic structure for all port lines supporting only one alternate input function. Port lines with only one alternate output function, however, have different structures. It has to be adapted to support the normal and the alternate function features.

All port lines that are not used for these alternate functions may be used as general purpose I/O lines. When using port pins for general purpose output, the initial output value should be written to the port latch prior to enabling the output drivers, in order to avoid undesired transitions on the output pins. This applies to single pins as well as to pin groups (see examples below).

12.3 - PORT0

The two 8-bit ports P0H and P0L represent the higher and lower part of PORT0, respectively. Both halves of PORT0 can be written (via a PEC transfer) without effecting the other half.

If this port is used for general purpose I/O, the direction of each line can be configured via the corresponding direction registers DP0H and DP0L.

P0L (FF00h / 80h)

SFR

Reset Value: --00h

| | | | | | | | | | | | | | | | |
|----|----|----|----|----|----|---|---|-------|-------|-------|-------|-------|-------|-------|-------|
| 15 | 14 | 13 | 12 | 11 | 10 | 9 | 8 | 7 | 6 | 5 | 4 | 3 | 2 | 1 | 0 |
| - | - | - | - | - | - | - | - | P0L.7 | P0L.6 | P0L.5 | P0L.4 | P0L.3 | P0L.2 | P0L.1 | P0L.0 |
| | | | | | | | | RW | RW | RW | RW | RW | RW | RW | RW |

P0H (FF02h / 81h)

SFR

Reset Value: --00h

| | | | | | | | | | | | | | | | |
|----|----|----|----|----|----|---|---|-------|-------|-------|-------|-------|-------|-------|-------|
| 15 | 14 | 13 | 12 | 11 | 10 | 9 | 8 | 7 | 6 | 5 | 4 | 3 | 2 | 1 | 0 |
| - | - | - | - | - | - | - | - | P0H.7 | P0H.6 | P0H.5 | P0H.4 | P0H.3 | P0H.2 | P0H.1 | P0H.0 |
| | | | | | | | | RW | RW | RW | RW | RW | RW | RW | RW |

| | |
|-------|--|
| P0X.y | Port Data Register P0H or P0L Bit y |
|-------|--|

DP0L (F100h / 80h)

ESFR

Reset Value: --00h

| | | | | | | | | | | | | | | | |
|----|----|----|----|----|----|---|---|--------|--------|--------|--------|--------|--------|--------|--------|
| 15 | 14 | 13 | 12 | 11 | 10 | 9 | 8 | 7 | 6 | 5 | 4 | 3 | 2 | 1 | 0 |
| - | - | - | - | - | - | - | - | DP0L.7 | DP0L.6 | DP0L.5 | DP0L.4 | DP0L.3 | DP0L.2 | DP0L.1 | DP0L.0 |
| | | | | | | | | RW | RW | RW | RW | RW | RW | RW | RW |

DP0H (F102h / 81h)

ESFR

Reset Value: --00h

| | | | | | | | | | | | | | | | |
|----|----|----|----|----|----|---|---|--------|--------|--------|--------|--------|--------|--------|--------|
| 15 | 14 | 13 | 12 | 11 | 10 | 9 | 8 | 7 | 6 | 5 | 4 | 3 | 2 | 1 | 0 |
| - | - | - | - | - | - | - | - | DP0H.7 | DP0H.6 | DP0H.5 | DP0H.4 | DP0H.3 | DP0H.2 | DP0H.1 | DP0H.0 |
| | | | | | | | | RW | RW | RW | RW | RW | RW | RW | RW |

| | |
|--------|---|
| DP0X.y | Port Direction Register DP0H or DP0L Bit y DP0X.y = 0: Port line P0X.y is an input (high-impedance) DP0X.y = 1: Port line P0X.y is an output |
|--------|---|

12.3.1 - Alternate Functions of PORT0

When an external bus is enabled, PORT0 is used as data bus or address/data bus.

Note that an external 8-bit demultiplexed bus only uses P0L, while P0H is free for I/O (provided that no other bus mode is enabled).

PORT0 is also used to select the system start-up configuration. During reset, PORT0 is configured to input, and each line is held high through an internal pull-up device.

Each line can now be individually pulled to a low level (see Section 21.3 -: *DC Characteristics*) through an external pull-down device. A default configuration is selected when the respective PORT0 lines are at a high level. Through pulling individual lines to a low level, this default can be changed according to the needs of the applications.

The internal pull-up devices are designed in such way that an external pull-down resistors (see Data Sheet specification) can be used to apply a correct low level.

These external pull-down resistors can remain connected to the PORT0 pins also during normal operation, however, care has to be taken in order to not disturb the normal function of PORT0 (this might be the case, for example, if the external resistor value is too low).

With the end of reset, the selected bus configuration will be written to the BUSCON0 register.

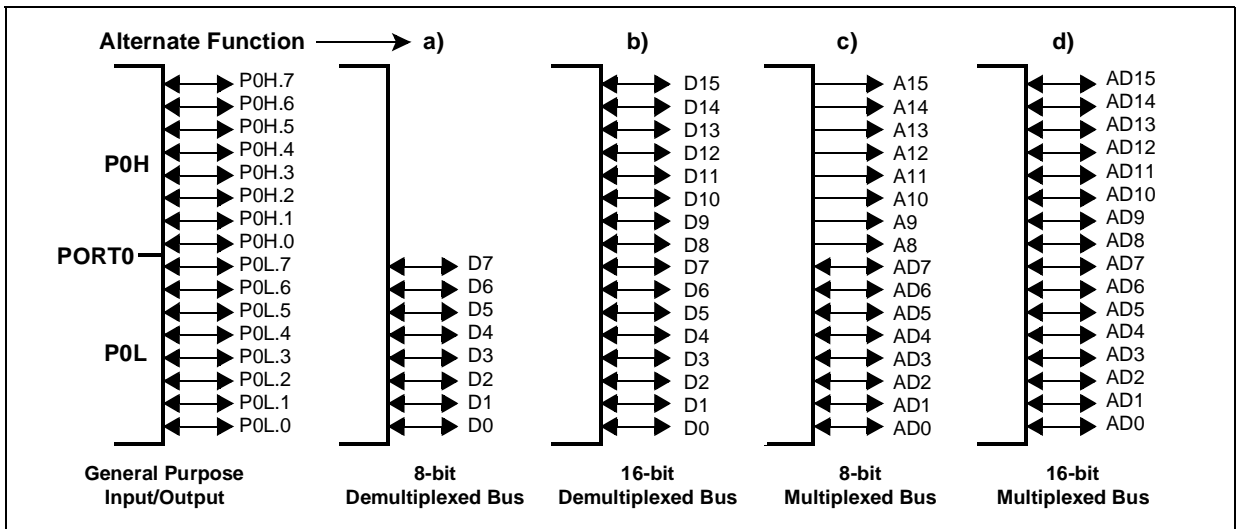
The configuration of the high byte of PORT0, will be copied into the special register RP0H. This read-only register holds the selection for the number of chip selects and segment addresses. Software can read this register in order to react according to the selected configuration, if required.

When the reset is terminated, the internal pull-up devices are switched off, and PORT0 will be switched to the appropriate operating mode.

During external accesses in multiplexed bus modes PORT0 first outputs the 16-bit intra-segment address as an alternate output function. PORT0 is then switched to high-impedance input mode to read the incoming instruction or data. In 8-bit data bus mode, two memory cycles are required for word accesses, the first for the low Byte and the second for the high Byte of the Word.

During write cycles PORT0 outputs the data Byte or Word after outputting the address. During external accesses in demultiplexed bus modes PORT0 reads the incoming instruction or data Word or outputs the data Byte or Word.

Figure 21 : PORT0 I/O and Alternate Functions



When an external bus mode is enabled, the direction of the port pin and the loading of data into the port output latch are controlled by the bus controller hardware.

The input of the port output Buffer is disconnected from the internal bus and is switched to the line labeled “Alternate Data Output” via a multiplexer.

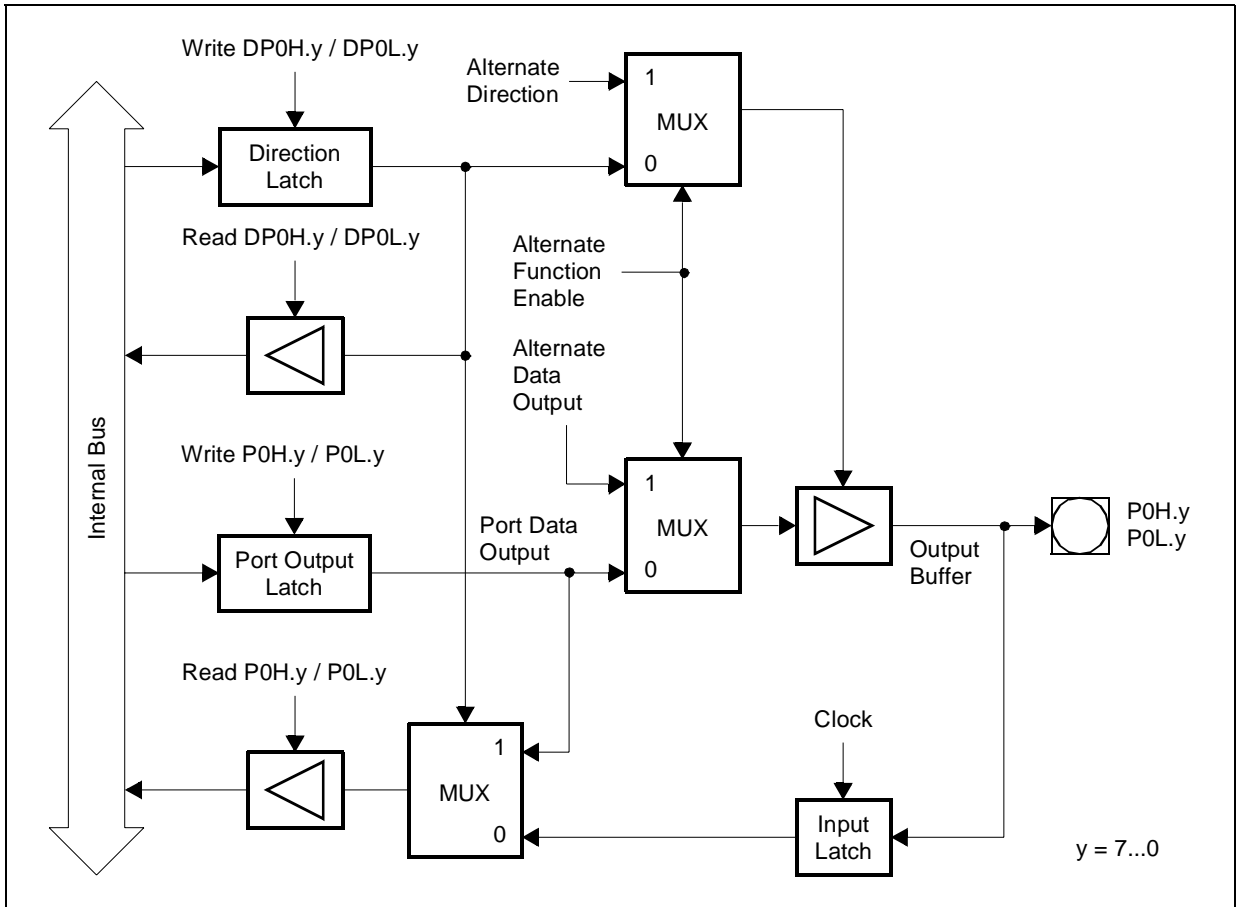
The alternate data can be the 16-bit intra-segment address or the 8/16-bit data information. The incoming data on PORT0 is read on the line

“Alternate Data Input”. While an external bus mode is enabled, the user software should not write to the port output latch, otherwise unpredictable results may occur.

When the external bus modes are disabled, the contents of the direction register last written by the user becomes active.

The Figure 22 shows the structure of a PORT0 pin.

Figure 22 : Block Diagram of a PORT0 Pin



12.4 - PORT1

The two 8-bit ports P1H and P1L represent the higher and lower part of PORT1, respectively. Both halves of PORT1 can be written (via a PEC transfer) without effecting the other half.

If this port is used for general purpose I/O, the direction of each line can be configured via the corresponding direction registers DP1H and DP1L.

| P1L (FF04h / 82h) | | | | | | | | SFR | | | | | | | | Reset Value: --00h | |
|-------------------|----|----|----|----|----|---|---|-------|-------|-------|-------|-------|-------|-------|-------|--------------------|--|
| 15 | 14 | 13 | 12 | 11 | 10 | 9 | 8 | 7 | 6 | 5 | 4 | 3 | 2 | 1 | 0 | | |
| - | - | - | - | - | - | - | - | P1L.7 | P1L.6 | P1L.5 | P1L.4 | P1L.3 | P1L.2 | P1L.1 | P1L.0 | | |
| | | | | | | | | RW | RW | RW | RW | RW | RW | RW | RW | | |

| P1H (FF06h / 83h) | | | | | | | | SFR | | | | | | | | Reset Value: --00h | |
|-------------------|----|----|----|----|----|---|---|-------|-------|-------|-------|-------|-------|-------|-------|--------------------|--|
| 15 | 14 | 13 | 12 | 11 | 10 | 9 | 8 | 7 | 6 | 5 | 4 | 3 | 2 | 1 | 0 | | |
| - | - | - | - | - | - | - | - | P1H.7 | P1H.6 | P1H.5 | P1H.4 | P1H.3 | P1H.2 | P1H.1 | P1H.0 | | |
| | | | | | | | | RW | RW | RW | RW | RW | RW | RW | RW | | |

| | |
|-------|--|
| P1X.y | Port Data Register P1H or P1L Bit y |
|-------|--|

| DP1L (F104h / 82h) | | | | | | | | ESFR | | | | | | | | Reset Value: --00h | |
|--------------------|----|----|----|----|----|---|---|--------|--------|--------|--------|--------|--------|--------|--------|--------------------|--|
| 15 | 14 | 13 | 12 | 11 | 10 | 9 | 8 | 7 | 6 | 5 | 4 | 3 | 2 | 1 | 0 | | |
| - | - | - | - | - | - | - | - | DP1L.7 | DP1L.6 | DP1L.5 | DP1L.4 | DP1L.3 | DP1L.2 | DP1L.1 | DP1L.0 | | |
| | | | | | | | | RW | RW | RW | RW | RW | RW | RW | RW | | |

| DP1H (F106h / 83h) | | | | | | | | ESFR | | | | | | | | Reset Value: --00h | |
|--------------------|----|----|----|----|----|---|---|--------|--------|--------|--------|--------|--------|--------|--------|--------------------|--|
| 15 | 14 | 13 | 12 | 11 | 10 | 9 | 8 | 7 | 6 | 5 | 4 | 3 | 2 | 1 | 0 | | |
| - | - | - | - | - | - | - | - | DP1H.7 | DP1H.6 | DP1H.5 | DP1H.4 | DP1H.3 | DP1H.2 | DP1H.1 | DP1H.0 | | |
| | | | | | | | | RW | RW | RW | RW | RW | RW | RW | RW | | |

| | |
|--------|---|
| DP1X.y | Port Direction Register DP1H or DP1L Bit y DP1X.y = 0: Port line P1X.y is an input (high-impedance) DP1X.y = 1: Port line P1X.y is an output |
|--------|---|

12.4.1 - Alternate Functions of PORT1

When a demultiplexed external bus is enabled, PORT1 is used as address bus.

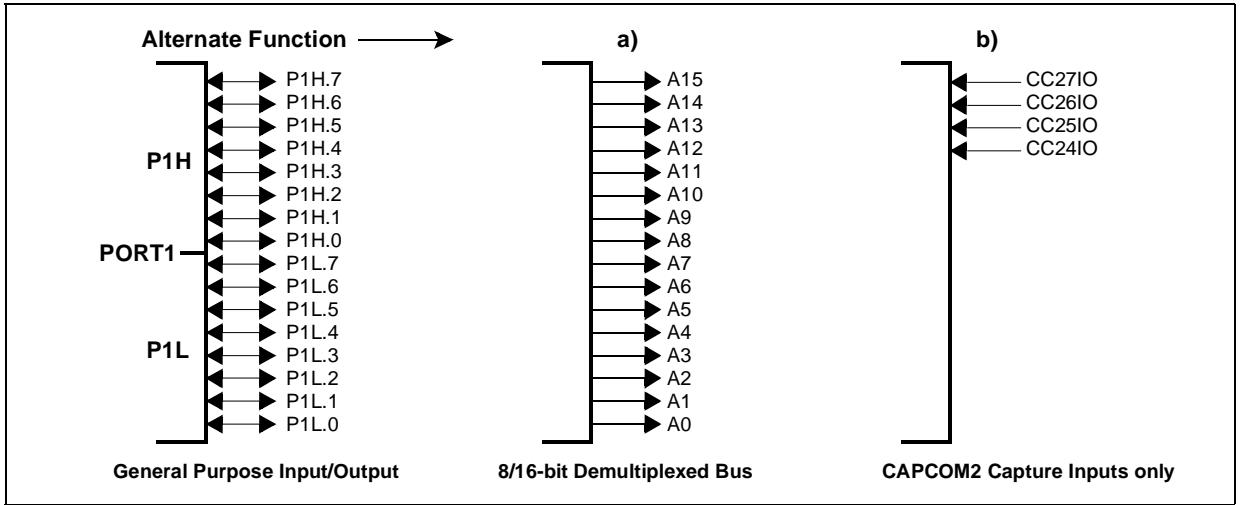
Note: Demultiplexed bus modes use PORT1 as a 16-bit port. Otherwise all 16 port lines can be used for general purpose I/O.

The upper 4 pins of PORT1 (P1H.7...P1H.4) are used as capture input lines (CC27IO...CC24IO).

During external accesses in demultiplexed bus modes PORT1 outputs the 16-bit intra-segment address as an alternate output function.

During external accesses in multiplexed bus modes, when no BUSCON register selects a demultiplexed bus mode, PORT1 is not used and is available for general purpose I/O.

Figure 23 : PORT1 I/O and Alternate Functions



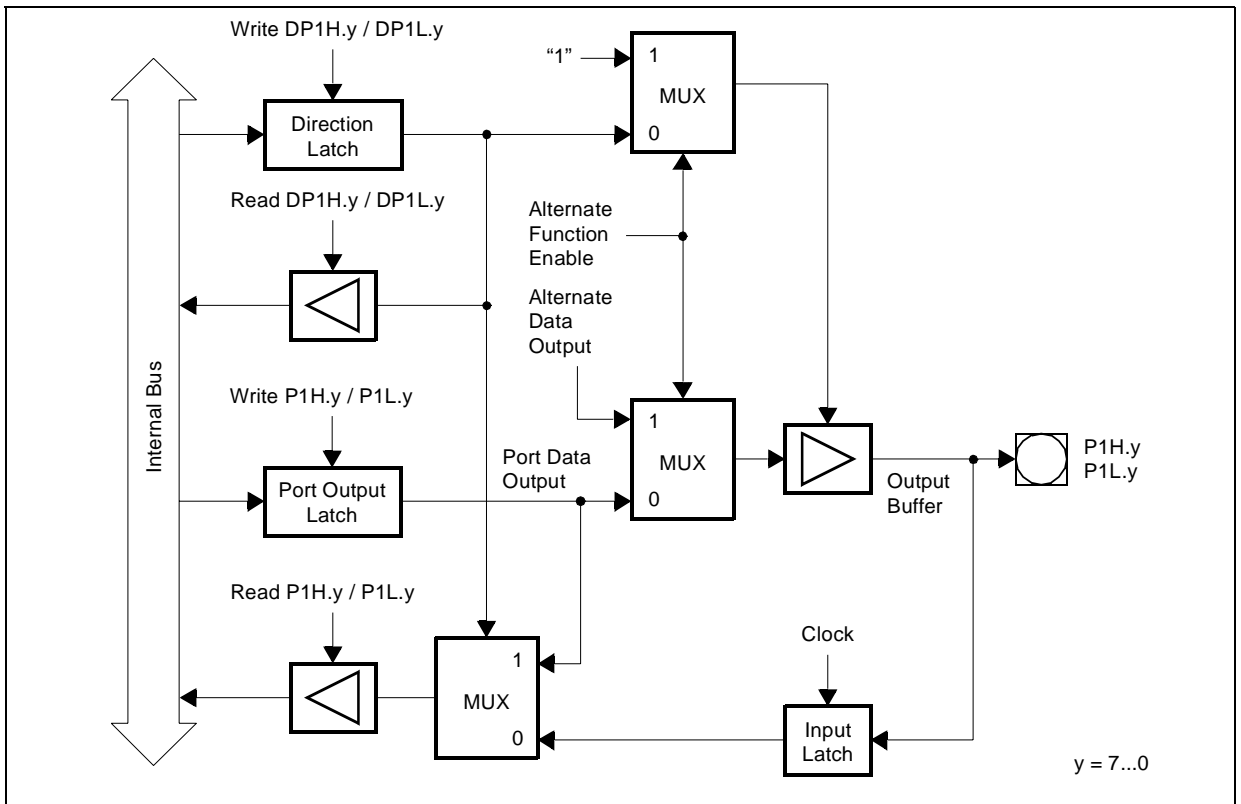
When an external bus mode is enabled, the direction of the port pin and the loading of data into the port output latch are controlled by the bus controller hardware.

The input of the port Buffer latch is disconnected from the internal bus and is switched to the line labeled "Alternate Data Output" via a multiplexer. The alternate data is the 16-bit intra-segment

address. While an external bus mode is enabled, the user software should not write to the port output latch, otherwise unpredictable results may occur. When the external bus modes are disabled, the contents of the direction register last written by the user becomes active.

The Figure 24 shows the structure of a PORT1 pin.

Figure 24 : Block Diagram of a PORT1 Pin



12.5 - Port 2

If this 16-bit port is used for general purpose I/O, the direction of each line can be configured via the corresponding direction register DP2. Each port line can be switched into push/pull or open drain mode via the open drain control register ODP2.

P2 (FFC0h / E0h)

SFR

Reset Value: 0000h

| | | | | | | | | | | | | | | | |
|-------|-------|-------|-------|-------|-------|------|------|------|------|------|------|------|------|------|------|
| 15 | 14 | 13 | 12 | 11 | 10 | 9 | 8 | 7 | 6 | 5 | 4 | 3 | 2 | 1 | 0 |
| P2.15 | P2.14 | P2.13 | P2.12 | P2.11 | P2.10 | P2.9 | P2.8 | P2.7 | P2.6 | P2.5 | P2.4 | P2.3 | P2.2 | P2.1 | P2.0 |
| RW | RW | RW | RW | RW | RW | RW | RW | RW | RW | RW | RW | RW | RW | RW | RW |

| | |
|------|------------------------------------|
| P2.y | Port Data Register P2 Bit y |
|------|------------------------------------|

DP2 (FFC2h / E1h)

SFR

Reset Value: 0000h

| | | | | | | | | | | | | | | | |
|-----|-----|-----|-----|-----|-----|-----|-----|-----|-----|-----|-----|-----|-----|-----|-----|
| 15 | 14 | 13 | 12 | 11 | 10 | 9 | 8 | 7 | 6 | 5 | 4 | 3 | 2 | 1 | 0 |
| DP2 | DP2 | DP2 | DP2 | DP2 | DP2 | DP2 | DP2 | DP2 | DP2 | DP2 | DP2 | DP2 | DP2 | DP2 | DP2 |
| .15 | .14 | .13 | .12 | .11 | .10 | .9 | .8 | .7 | .6 | .5 | .4 | .3 | .2 | .1 | .0 |
| RW | RW | RW | RW | RW | RW | RW | RW | RW | RW | RW | RW | RW | RW | RW | RW |

| | |
|-------|--|
| DP2.y | Port Direction Register DP2 Bit y DP2.y = 0: Port line P2.y is an input (high-impedance) DP2.y = 1: Port line P2.y is an output |
|-------|--|

ODP2 (F1C2h / E1h)

ESFR

Reset Value: 0000h

| | | | | | | | | | | | | | | | |
|------|------|------|------|------|------|------|------|------|------|------|------|------|------|------|------|
| 15 | 14 | 13 | 12 | 11 | 10 | 9 | 8 | 7 | 6 | 5 | 4 | 3 | 2 | 1 | 0 |
| ODP2 | ODP2 | ODP2 | ODP2 | ODP2 | ODP2 | ODP2 | ODP2 | ODP2 | ODP2 | ODP2 | ODP2 | ODP2 | ODP2 | ODP2 | ODP2 |
| .15 | .14 | .13 | .12 | .11 | .10 | .9 | .8 | .7 | .6 | .5 | .4 | .3 | .2 | .1 | .0 |
| RW | RW | RW | RW | RW | RW | RW | RW | RW | RW | RW | RW | RW | RW | RW | RW |

| | |
|--------|--|
| ODP2.y | Port 2 Open Drain Control Register Bit y ODP2.y = 0: Port line P2.y output driver in push/pull mode ODP2.y = 1: Port line P2.y output driver in open drain mode |
|--------|--|

12.5.1 - Alternate Functions of Port 2

All Port 2 lines (P2.15...P2.0) serve as capture inputs or compare outputs (CC15IO...CC0IO) for the CAPCOM1 unit.

When a Port 2 line is used as a capture input, the state of the input latch, which represents the state of the port pin, is directed to the CAPCOM unit via the line "Alternate Pin Data Input". If an external capture trigger signal is used, the direction of the respective pin must be set to input.

If the direction is set to output, the state of the port output latch will be read since the pin represents the state of the output latch.

This can be used to trigger a capture event through software by setting or clearing the port latch. Note that in the output configuration, no

external device may drive the pin, otherwise conflicts would occur.

When a Port 2 line is used as a compare output (compare modes 1 and 3), the compare event (or the timer overflow in compare mode 3) directly effects the port output latch. In compare mode 1, when a valid compare match occurs, the state of the port output latch is read by the CAPCOM control hardware via the line "Alternate Latch Data Input", inverted, and written back to the latch via the line "Alternate Data Output".

The port output latch is clocked by the signal "Compare Trigger" which is generated by the CAPCOM unit. In compare mode 3, when a match occurs, the value '1' is written to the port output latch via the line "Alternate Data Output". When an overflow of the corresponding timer occurs, a '0' is written to the port output latch. In both cases,

the output latch is clocked by the signal “Compare Trigger”.

The direction of the pin should be set to output by the user, otherwise the pin will be in the high-impedance state and will not reflect the state of the output latch.

As can be seen from the port structure in Figure 26, the user software always has free access to the port pin even when it is used as a compare output. This is useful for setting up the initial level of the pin when using compare mode 1 or the double-register mode. In these modes, unlike in compare mode 3, the pin is not set to a specific value when a compare match occurs, but is toggled instead.

When the user wants to write to the port pin at the same time a compare trigger tries to clock the output latch, the write operation of the user software has priority. Each time a CPU write access to the port output latch occurs, the input

Table 19 : Alternate Functions of Port 2

| Port 2 Pin | Alternate Function a) | Alternate Function b) | Alternate Function c) |
|------------|-----------------------|---------------------------------------|------------------------------|
| P2.0 | CC0IO | - | - |
| P2.1 | CC1IO | - | - |
| P2.2 | CC2IO | - | - |
| P2.3 | CC3IO | - | - |
| P2.4 | CC4IO | - | - |
| P2.5 | CC5IO | - | - |
| P2.6 | CC6IO | - | - |
| P2.7 | CC7IO | - | - |
| P2.8 | CC8IO | EX0IN Fast External Interrupt 0 Input | - |
| P2.9 | CC9IO | EX1IN Fast External Interrupt 1 Input | - |
| P2.10 | CC10IO | EX2IN Fast External Interrupt 2 Input | - |
| P2.11 | CC11IO | EX3IN Fast External Interrupt 3 Input | - |
| P2.12 | CC12IO | EX4IN Fast External Interrupt 4 Input | - |
| P2.13 | CC13IO | EX5IN Fast External Interrupt 5 Input | - |
| P2.14 | CC14IO | EX6IN Fast External Interrupt 6 Input | - |
| P2.15 | CC15IO | EX7IN Fast External Interrupt 7 Input | T7IN T7 External Count Input |

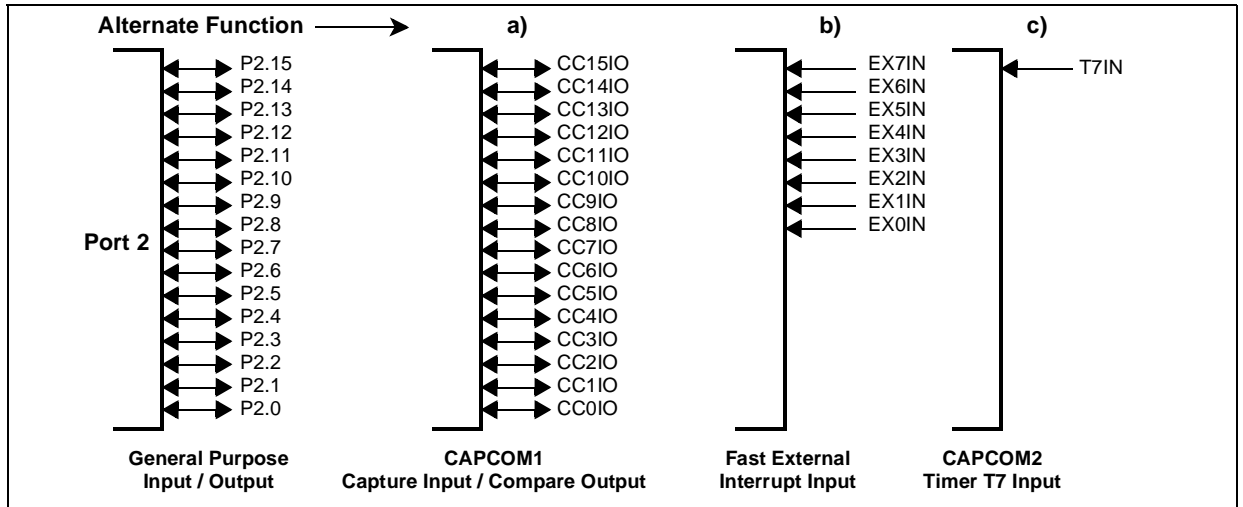
multiplexer of the port output latch is switched to the line connected to the internal bus. The port output latch will receive the value from the internal bus and the hardware triggered change will be lost.

As all other capture inputs, the capture input function of pins P2.15...P2.0 can also be used as external interrupt inputs (200ns sample rate at 40MHz CPU clock on PQFP144 devices and 250ns sample rate at 32MHz CPU clock on TQFP144 devices).

The upper eight Port 2 lines (P2.15...P2.8) also can serve as Fast External Interrupt inputs from EX0IN to EX7IN (Fast external interrupt sampling rate is 25ns at 40MHz CPU clock and 31.25ns at 32MHz CPU clock).

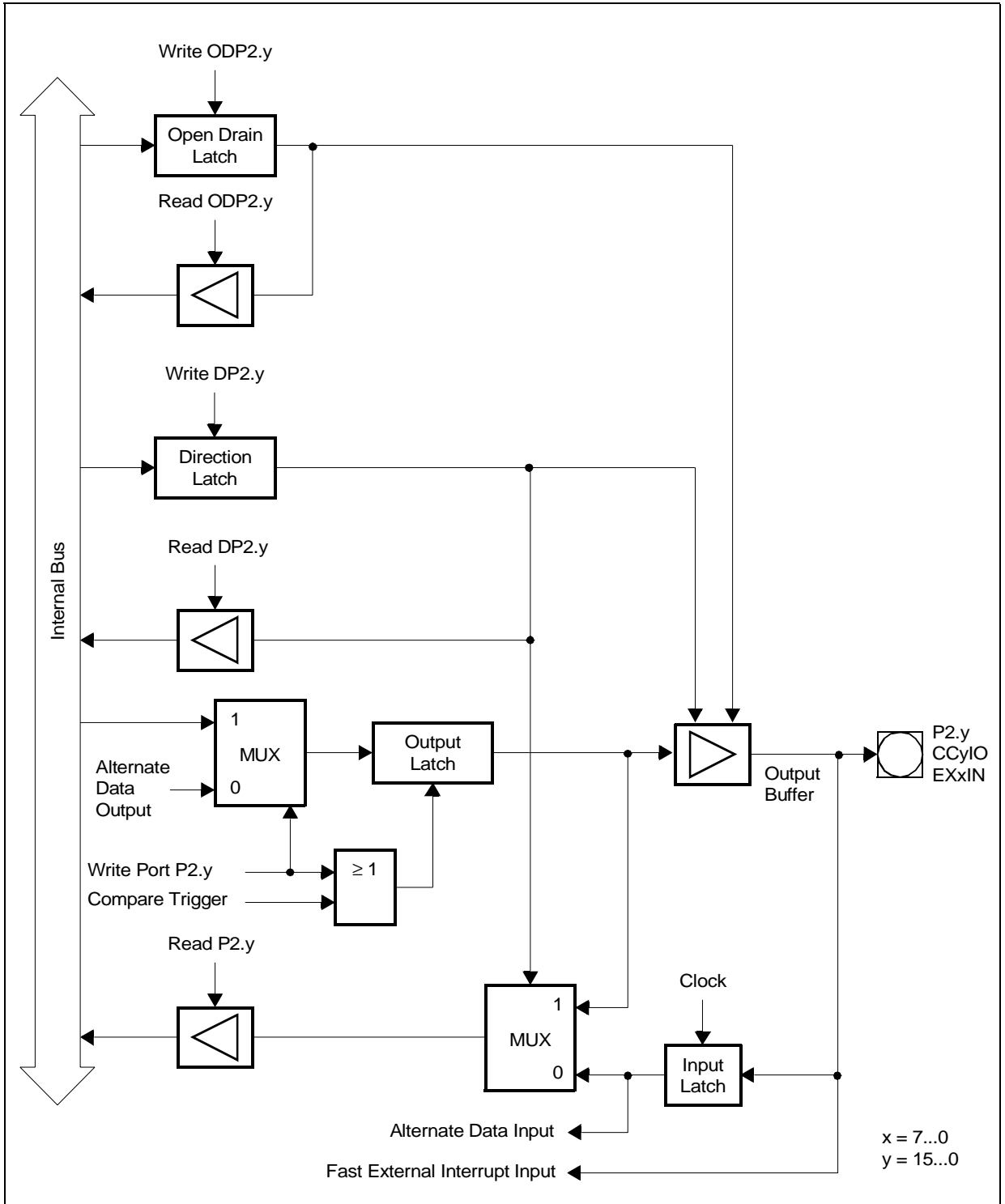
P2.15 in addition serves as input for CAPCOM2 timer T7 (T7IN). The Table 19 summarizes the alternate functions of Port 2.

Figure 25 : Port 2 I/O and Alternate Functions



The pins of Port 2 combine internal bus data with alternate data output before the port latch input.

Figure 26 : Block Diagram of a Port 2 Pin



12.6 - Port 3

If this 15-bit port is used for general purpose I/O, the direction of each line can be configured by the

corresponding direction register DP3. Most port lines can be switched into push-pull or open drain mode by the open drain control register ODP2

(pins P3.15, P3.14 and P3.12 do not support open drain mode).

Due to pin limitations register bit P3.14 is not connected to an output pin.

P3 (FFC4h / E2h)

SFR

Reset Value: 0000h

| | | | | | | | | | | | | | | | |
|-------|----|-------|-------|-------|-------|------|------|------|------|------|------|------|------|------|------|
| 15 | 14 | 13 | 12 | 11 | 10 | 9 | 8 | 7 | 6 | 5 | 4 | 3 | 2 | 1 | 0 |
| P3.15 | - | P3.13 | P3.12 | P3.11 | P3.10 | P3.9 | P3.8 | P3.7 | P3.6 | P3.5 | P3.4 | P3.3 | P3.2 | P3.1 | P3.0 |
| RW | RW | RW | RW | RW | RW | RW | RW | RW | RW | RW | RW | RW | RW | RW | RW |

| | |
|------|------------------------------------|
| P3.y | Port Data Register P3 Bit y |
|------|------------------------------------|

DP3 (FFC6h / E3h)

SFR

Reset Value: 0000h

| | | | | | | | | | | | | | | | |
|---------|----|---------|---------|---------|---------|--------|--------|--------|--------|--------|--------|--------|--------|--------|--------|
| 15 | 14 | 13 | 12 | 11 | 10 | 9 | 8 | 7 | 6 | 5 | 4 | 3 | 2 | 1 | 0 |
| DP3 .15 | - | DP3 .13 | DP3 .12 | DP3 .11 | DP3 .10 | DP3 .9 | DP3 .8 | DP3 .7 | DP3 .6 | DP3 .5 | DP3 .4 | DP3 .3 | DP3 .2 | DP3 .1 | DP3 .0 |
| RW | RW | RW | RW | RW | RW | RW | RW | RW | RW | RW | RW | RW | RW | RW | RW |

| | |
|-------|--|
| DP3.y | Port Direction Register DP3 Bit y DP3.y = 0: Port line P3.y is an input (high-impedance) DP3.y = 1: Port line P3.y is an output |
|-------|--|

ODP3 (F1C6h / E3h)

ESFR

Reset Value: 0000h

| | | | | | | | | | | | | | | | |
|----|----|----------|----|----------|----------|---------|---------|---------|---------|---------|---------|---------|---------|---------|---------|
| 15 | 14 | 13 | 12 | 11 | 10 | 9 | 8 | 7 | 6 | 5 | 4 | 3 | 2 | 1 | 0 |
| - | - | ODP3 .13 | - | ODP3 .11 | ODP3 .10 | ODP3 .9 | ODP3 .8 | ODP3 .7 | ODP3 .6 | ODP3 .5 | ODP3 .4 | ODP3 .3 | ODP3 .2 | ODP3 .1 | ODP3 .0 |
| RW | RW | RW | RW | RW | RW | RW | RW | RW | RW | RW | RW | RW | RW | RW | RW |

| | |
|--------|--|
| ODP3.y | Port 3 Open Drain Control Register Bit y ODP3.y = 0: Port line P3.y output driver in push-pull mode ODP3.y = 1: Port line P3.y output driver in open drain mode |
|--------|--|

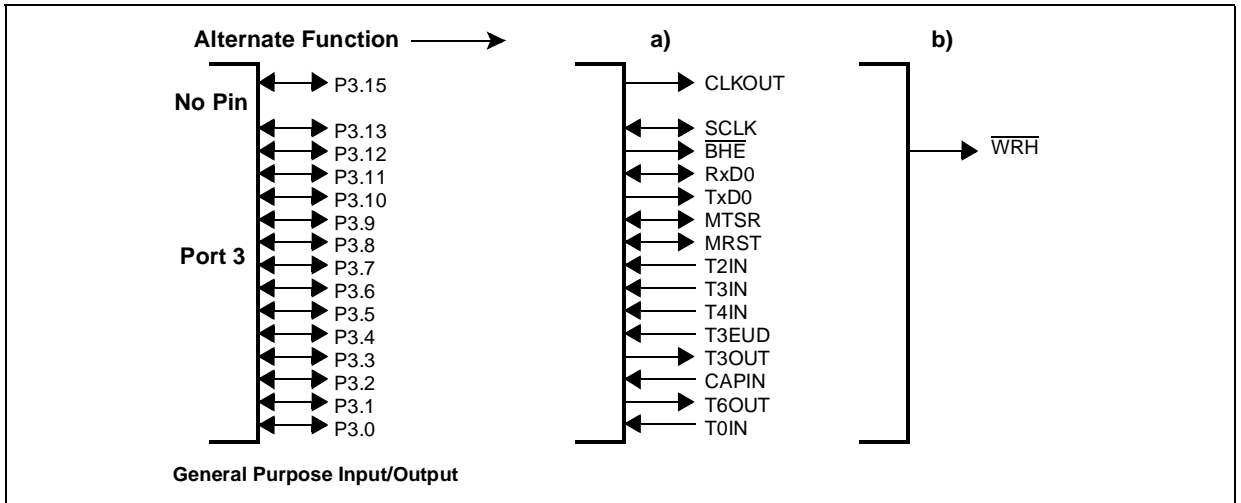
12.6.1 - Alternate Functions of Port 3

The pins of Port 3 serve for various functions which include external timer control lines, the two serial interfaces and the control lines $\overline{\text{BHE}}/\overline{\text{WRH}}$ and CLKOUT.

Table 20 : Port 3 Alternative Functions

| Port 3 Pin | Alternate Function | |
|------------|---|--|
| P3.0 | T0IN | CAPCOM1 Timer 0 Count Input |
| P3.1 | T6OUT | Timer 6 Toggle Output |
| P3.2 | CAPIN | GPT2 Capture Input |
| P3.3 | T3OUT | Timer 3 Toggle Output |
| P3.4 | T3EUD | Timer 3 External Up/Down Input |
| P3.5 | T4IN | Timer 4 Count Input |
| P3.6 | T3IN | Timer 3 Count Input |
| P3.7 | T2IN | Timer 2 Count Input |
| P3.8 | MRST | SSC Master Receive / Slave Transmit |
| P3.9 | MTRSR | SSC Master Transmit / Slave Receive |
| P3.10 | TxD0 | ASC0 Transmit Data Output |
| P3.11 | RxD0 | ASC0 Receive Data Input (Output in synchronous mode) |
| P3.12 | $\overline{\text{BHE}}/\overline{\text{WRH}}$ | Byte High Enable / Write High Output |
| P3.13 | SCLK | SSC Shift Clock Input/Output |
| P3.14 | --- | No pin assigned |
| P3.15 | CLKOUT | System Clock Output |

Figure 27 : Port 3 I/O and Alternate Functions



The structure of the Port 3 pins depends on their alternate function (see figures *Figure 28* and *Figure 29*). When the on-chip peripheral associated with a Port 3 pin is configured to use the alternate input function, it reads the input latch, which represents the state of the pin, via the line labeled “Alternate Data Input”. Port 3 pins with alternate input functions are: T0IN, T2IN, T3IN, T4IN, T3EUD and CAPIN.

When the on-chip peripheral associated with a Port 3 pin is configured to use the alternate output function, its “Alternate Data Output” line is ANDed

with the port output latch line. When using these alternate functions, the user must set the direction of the port line to output ($\text{DP3.y}=1$) and must set the port output latch ($\text{P3.y}=1$). Otherwise the pin is in its high-impedance state (when configured as input) or the pin is stuck at '0' (when the port output latch is cleared). When the alternate output functions are not used, the “Alternate Data Output” line is in its inactive state, which is a high level ('1').

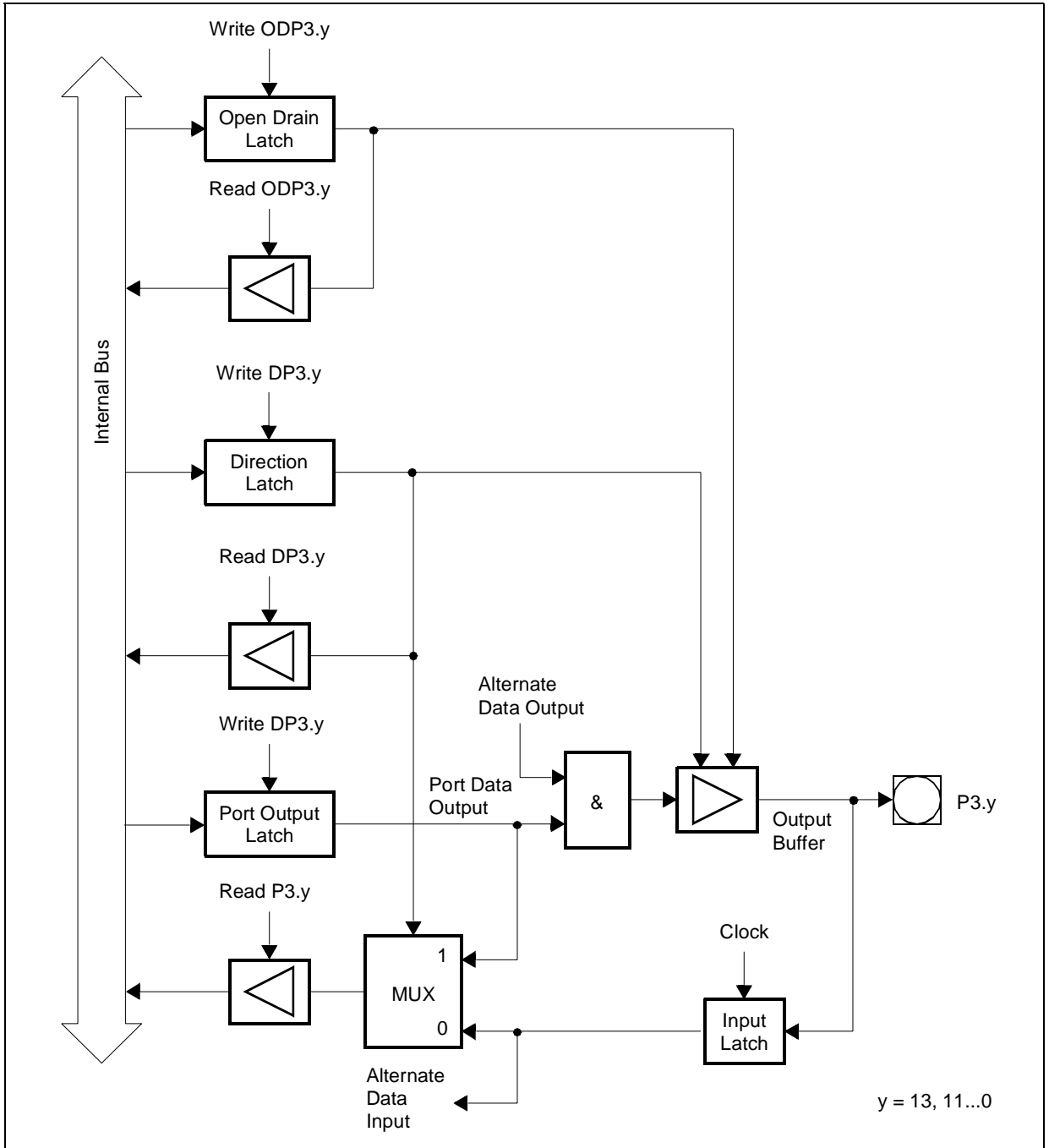
Port 3 pins with alternate output functions are: T6OUT, T3OUT, TxD0, $\overline{\text{BHE}}$ and CLKOUT.

When the on-chip peripheral associated with a Port 3 pin is configured to use both the alternate input and output function, the descriptions above apply to the respective current operating mode. The direction must be set accordingly. Port 3 pins

with alternate input/output functions are: MTSR, MRST, RxD0 and SCLK.

Note: Enabling the CLKOUT function automatically enables the P3.15 output driver. Setting bit DP3.15='1' is not required.

Figure 28 : Block Diagram of Port 3 Pin with Alternate Input or Alternate Output Function

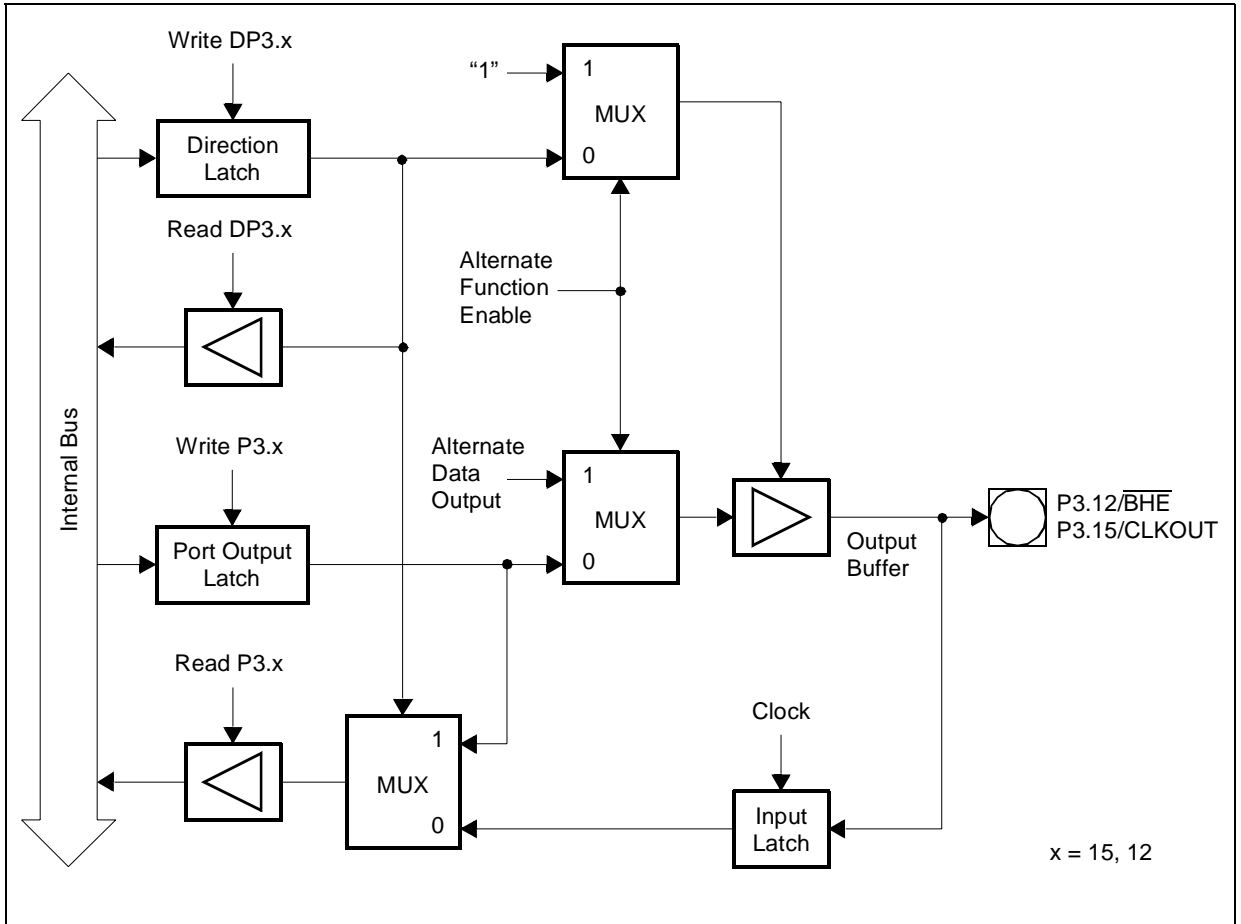


Pin P3.12 ($\overline{\text{BHE}}/\overline{\text{WRH}}$) is another pin with an alternate output function, however, its structure is slightly different.

After reset the $\overline{\text{BHE}}$ or $\overline{\text{WRH}}$ function must be used depending on the system start-up configuration. In either of these cases, there is no

possibility to program any port latches before. Thus, the appropriate alternate function is selected automatically. If $\overline{\text{BHE}}/\overline{\text{WRH}}$ is not used in the system, this pin can be used for general purpose I/O by disabling the alternate function ($\text{BYTDIS} = '1' / \text{WRCFG} = '0'$).

Figure 29 : Block Diagram of Pins P3.15 (CLKOUT) and P3.12 ($\overline{\text{BHE}}/\overline{\text{WRH}}$)



Note: Enabling the $\overline{\text{BHE}}$ or $\overline{\text{WRH}}$ function automatically enables the P3.12 output driver. Setting bit DP3.12='1' is not required.

During bus hold pin P3.12 is switched back to its standard function and is then controlled by DP3.12 and P3.12. Keep DP3.12 = '0' in this case to ensure floating in hold mode.

12.7 - Port 4

If this 8-bit port is used for general purpose I/O, the direction of each line can be configured via the corresponding direction register DP4.

P4 (FFC8h / E4h) SFR Reset Value: --00h

| | | | | | | | | | | | | | | | |
|----|----|----|----|----|----|---|---|------|------|------|------|------|------|------|------|
| 15 | 14 | 13 | 12 | 11 | 10 | 9 | 8 | 7 | 6 | 5 | 4 | 3 | 2 | 1 | 0 |
| - | - | - | - | - | - | - | - | P4.7 | P4.6 | P4.5 | P4.4 | P4.3 | P4.2 | P4.1 | P4.0 |
| | | | | | | | | RW | RW | RW | RW | RW | RW | RW | RW |

| | |
|------|------------------------------------|
| P4.y | Port Data Register P4 Bit y |
|------|------------------------------------|

DP4 (FFCAh / E5h) SFR Reset Value: --00h

| | | | | | | | | | | | | | | | |
|----|----|----|----|----|----|---|---|-------|-------|-------|-------|-------|-------|-------|-------|
| 15 | 14 | 13 | 12 | 11 | 10 | 9 | 8 | 7 | 6 | 5 | 4 | 3 | 2 | 1 | 0 |
| - | - | - | - | - | - | - | - | DP4.7 | DP4.6 | DP4.5 | DP4.4 | DP4.3 | DP4.2 | DP4.1 | DP4.0 |
| | | | | | | | | RW | RW | RW | RW | RW | RW | RW | RW |

| | |
|-------|--|
| DP4.y | Port Direction Register DP4 Bit y DP4.y = 0: Port line P4.y is an input (high-impedance) DP4.y = 1: Port line P4.y is an output |
|-------|--|

For CAN configuration support (see section 15), Port 4 has an open drain function, controlled with the ODP4 register:

ODP4 (F1CAh / E5h) ESFR Reset Value: --00h

| | | | | | | | | | | | | | | | |
|----|----|----|----|----|----|---|---|--------|--------|----|---|---|---|---|---|
| 15 | 14 | 13 | 12 | 11 | 10 | 9 | 8 | 7 | 6 | 5 | 4 | 3 | 2 | 1 | 0 |
| - | - | - | - | - | - | - | - | ODP4.7 | ODP4.6 | - | - | - | - | - | - |
| | | | | | | | | | RW | RW | | | | | |

| | |
|--------|---|
| ODP4.y | Port 4 Open Drain Control Register Bit y ODP4.y = 0: Port line P4.y output driver in push/pull mode ODP4.y = 1: Port line P4.y output driver in open drain mode if P4.y is not a segment address line output |
|--------|---|

Note: Only bit 6 and 7 are implemented, all other bit will be read as "0".

12.7.1 - Alternate Functions of Port 4

During external bus cycles that use segmentation (address space above 64K Bytes) a number of Port 4 pins may output the segment address lines. The number of pins that is used for segment address output determines the external address space which is directly accessible. The other pins of Port 4 may be used for general purpose I/O. If segment address lines are selected, the alternate function of Port 4 may be necessary to access external memory directly after reset. For this reason Port 4 will be switched to this alternate function automatically.

The number of segment address lines is selected via PORT0 during reset. The selected value can be read from bitfield SALSEL in register RP0H (read only) in order to check the configuration during run time.

The CAN interfaces use 2 or 4 pins of Port 4 to interface each CAN Modules to an external CAN transceiver. In this case the number of possible segment address lines is reduced.

The Table 21 summarizes the alternate functions of Port 4 depending on the number of selected segment address lines (coded via bitfield SALSEL)

Table 21 : Port 4 Alternate Functions

| Port 4 | Standard Function SALSEL = 01 64K Bytes | Alternate Function SALSEL = 11 256K Bytes | Alternate Function SALSEL = 00 1M Byte | Alternate Function SALSEL = 10 16M Bytes |
|--------|---|---|--|--|
| P4.0 | GPIO | Segment Address A16 | Segment. Address A16 | Segment Address A16 |
| P4.1 | GPIO | Segment Address A17 | Segment Address A17 | Segment Address A17 |
| P4.2 | GPIO | GPIO | Segment Address A18 | Segment Address A18 |
| P4.3 | GPIO | GPIO | Segment Address A19 | Segment Address A19 |
| P4.4 | GPIO/CAN2_RxD | GPIO/CAN2_RxD | GPIO/CAN2_RxD | Segment Address A20 |
| P4.5 | GPIO/CAN1_RxD | GPIO/CAN1_RxD | GPIO/CAN1_RxD | Segment Address A21 |
| P4.6 | GPIO/CAN1_TxD | GPIO/CAN1_TxD | GPIO/CAN1_TxD | Segment Address A22 |
| P4.7 | GPIO/CAN2_TxD | GPIO/CAN2_TxD | GPIO/CAN2_TxD | Segment Address A23 |

Figure 30 : Port 4 I/O and Alternate Functions

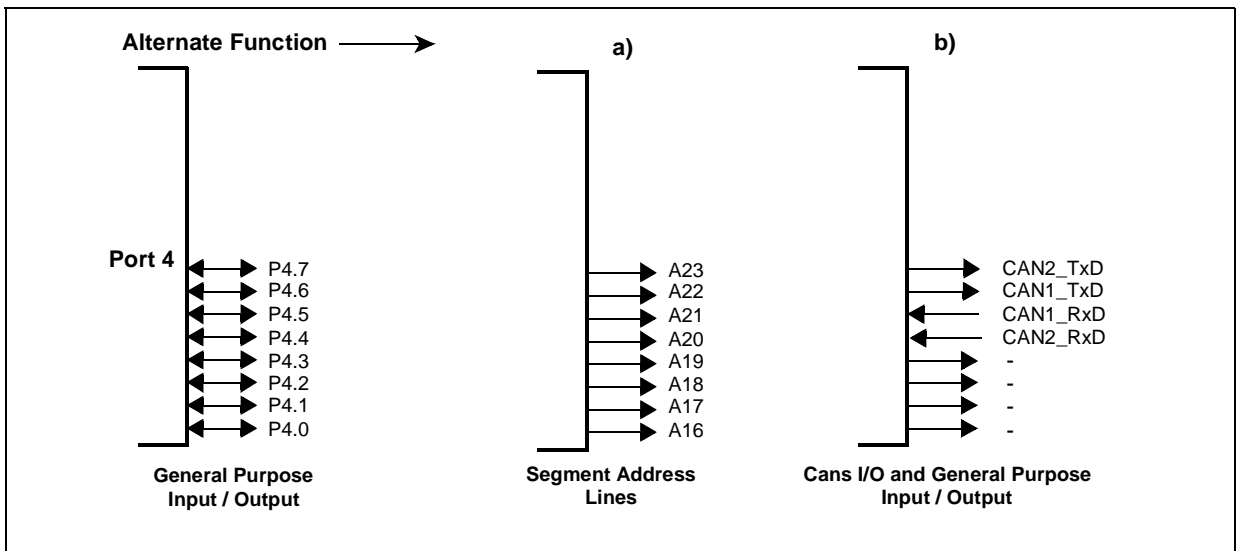


Figure 31 : Block Diagram of a Port 4 Pin

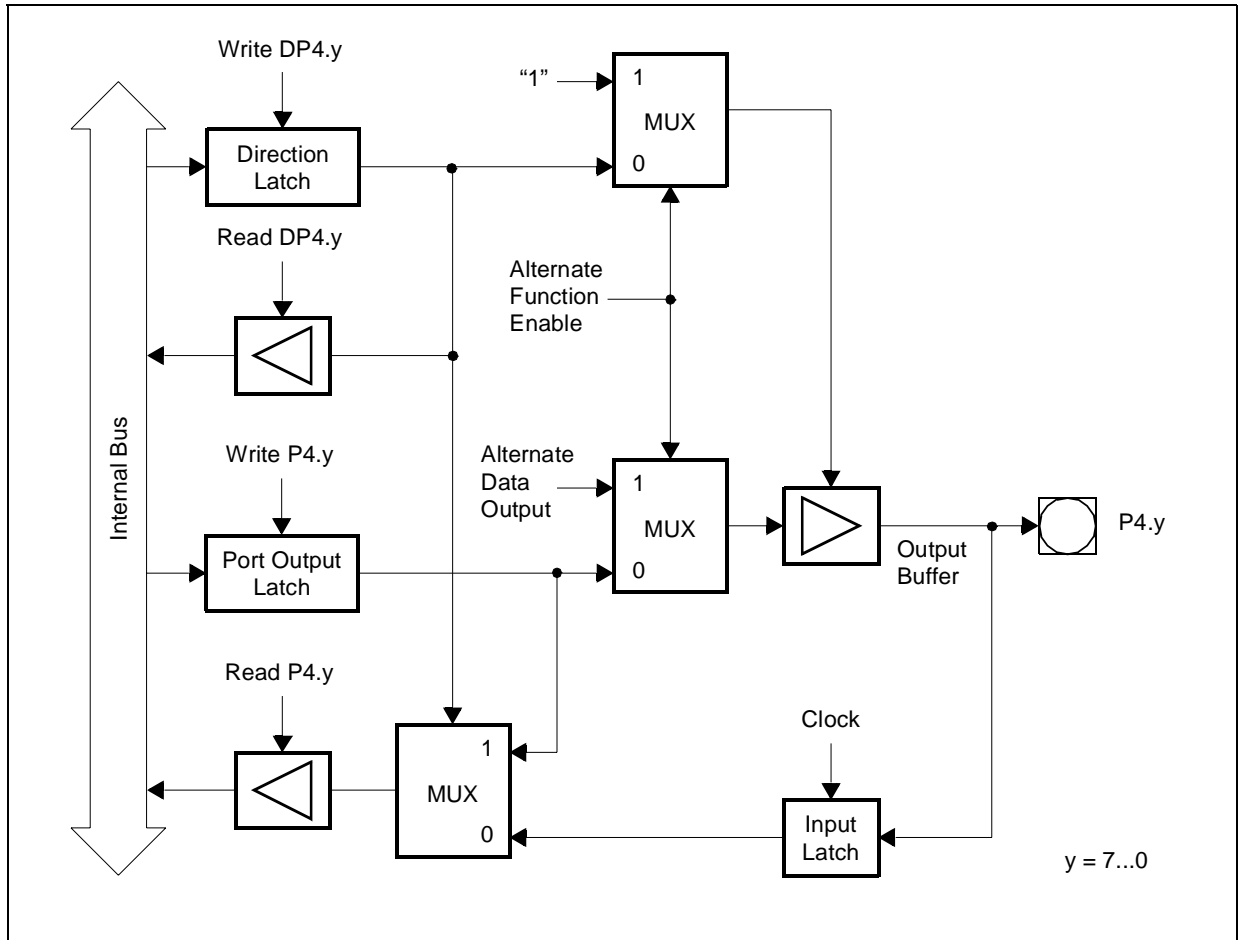


Figure 32 : Block Diagram of P4.4 and P4.5 Pins

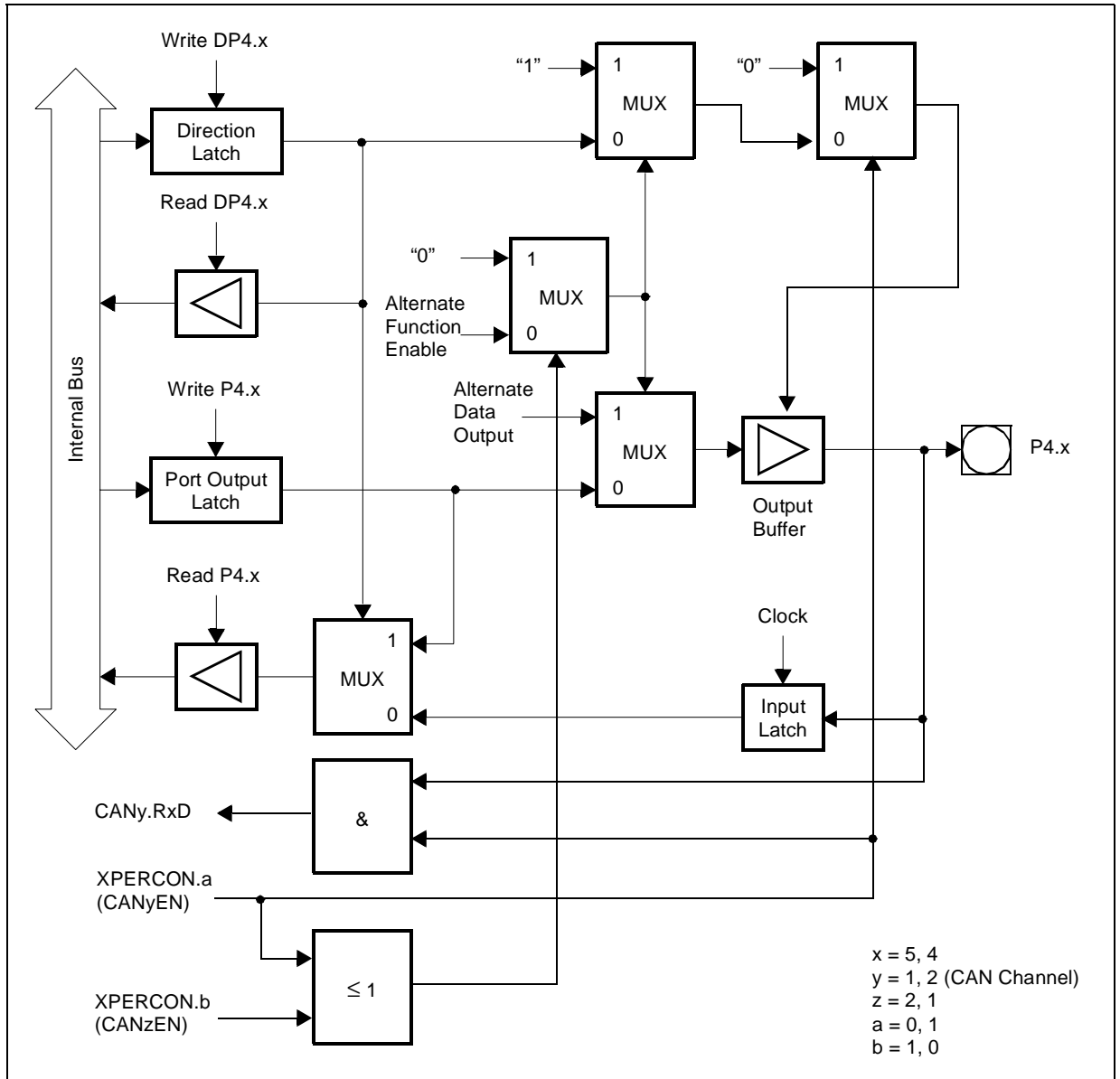
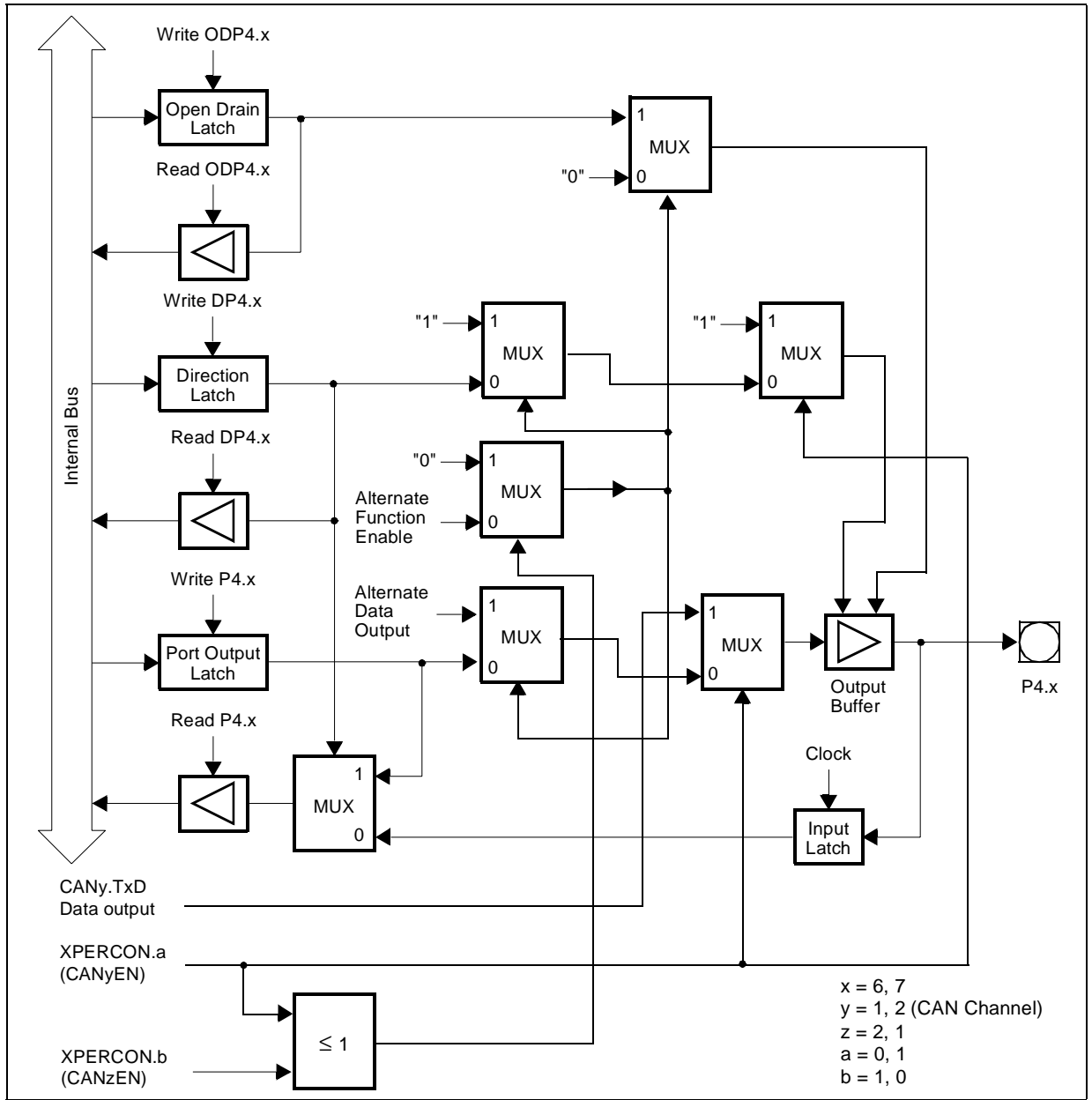


Figure 33 : Block Diagram of P4.6 and P4.7 Pins



12.8 - Port 5

This 16-bit input port can only read data. There is no output latch and no direction register. Data written to P5 will be lost.

P5 (FFA2h / D1h) SFR Reset Value: XXXXh

| | | | | | | | | | | | | | | | |
|-------|-------|-------|-------|-------|-------|------|------|------|------|------|------|------|------|------|------|
| 15 | 14 | 13 | 12 | 11 | 10 | 9 | 8 | 7 | 6 | 5 | 4 | 3 | 2 | 1 | 0 |
| P5.15 | P5.14 | P5.13 | P5.12 | P5.11 | P5.10 | P5.9 | P5.8 | P5.7 | P5.6 | P5.5 | P5.4 | P5.3 | P5.2 | P5.1 | P5.0 |
| R | R | R | R | R | R | R | R | R | R | R | R | R | R | R | R |

| | |
|------|--|
| P5.y | Port Data Register P5 Bit y (Read only) |
|------|--|

12.8.1 - Alternate Functions of Port 5

Each line of Port 5 is also connected to one of the multiplexer of the Analog/Digital Converter. All port lines (P5.15...P5.0) can accept analog signals (AN15...AN0) to be converted by the ADC. No special programming is required for pins that

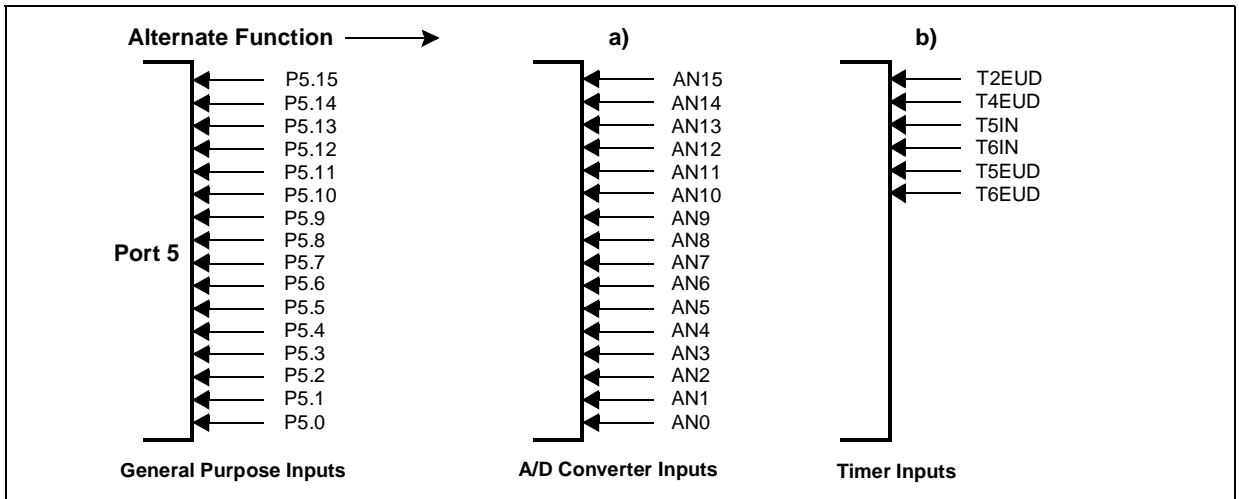
shall be used as analog inputs. Some pins of Port 5 also serve as external timer control lines for GPT1 and GPT2.

The Table 22 summarizes the alternate functions of Port 5.

Table 22 : Port 5 Alternate Functions

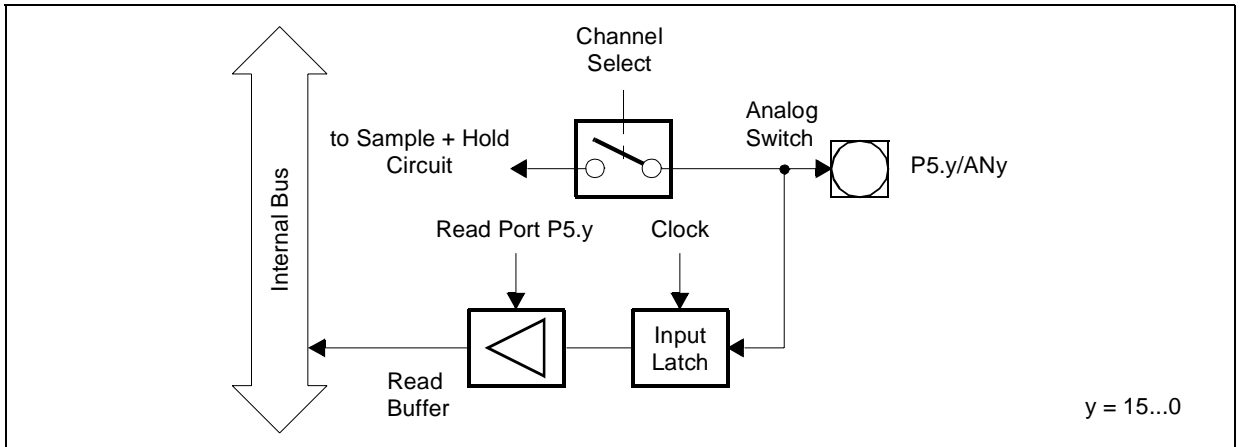
| Port 5 Pin | Alternate Function a) | Alternate Function b) |
|------------|-----------------------|--------------------------------------|
| P5.0 | Analog Input AN0 | - |
| P5.1 | Analog Input AN1 | - |
| P5.2 | Analog Input AN2 | - |
| P5.3 | Analog Input AN3 | - |
| P5.4 | Analog Input AN4 | - |
| P5.5 | Analog Input AN5 | - |
| P5.6 | Analog Input AN6 | - |
| P5.7 | Analog Input AN7 | - |
| P5.8 | Analog Input AN8 | - |
| P5.9 | Analog Input AN9 | - |
| P5.10 | Analog Input AN10 | T6EUD Timer 6 external Up/Down Input |
| P5.11 | Analog Input AN11 | T5EUD Timer 5 external Up/Down Input |
| P5.12 | Analog Input AN12 | T6IN Timer 6 Count Input |
| P5.13 | Analog Input AN13 | T5IN Timer 5 Count Input |
| P5.14 | Analog Input AN14 | T4EUD Timer 4 external Up/Down Input |
| P5.15 | Analog Input AN15 | T2EUD Timer 2 external Up/Down Input |

Figure 34 : Port 5 I/O and Alternate Functions



Port 5 pins have a special port structure (see Figure 35), first because it is an input only port, and second because the analog input channels are directly connected to the pins rather than to the input latches.

Figure 35 : Block Diagram of a Port 5 Pin



12.8.2 - Port 5 Schmitt Trigger Analog Inputs

A Schmitt trigger protection can be activated on each pin of Port 5 by setting the dedicated bit of register P5DIDIS.

P5DIDIS (FFA4h / D2h) SFR Reset Value: 0000h

| | | | | | | | | | | | | | | | |
|----------------|----------------|----------------|----------------|----------------|----------------|---------------|---------------|---------------|---------------|---------------|---------------|---------------|---------------|---------------|---------------|
| 15 | 14 | 13 | 12 | 11 | 10 | 9 | 8 | 7 | 6 | 5 | 4 | 3 | 2 | 1 | 0 |
| P5DI DIS.15 | P5DI DIS.14 | P5DI DIS.13 | P5DI DIS.12 | P5DI DIS.11 | P5DI DIS.10 | P5DI DIS.9 | P5DI DIS.8 | P5DI DIS.7 | P5DI DIS.6 | P5DI DIS.5 | P5DI DIS.4 | P5DI DIS.3 | P5DI DIS.2 | P5DI DIS.1 | P5DI DIS.0 |
| RW | RW | RW | RW | RW | RW | RW | RW | RW | RW | RW | RW | RW | RW | RW | RW |

| | |
|-----------|---|
| P5DIDIS.y | Port 5 Digital Disable Register Bit y P5DIDIS.y = 0: Port line P5.y digital input is enabled (Schmitt trigger enabled) P5DIDIS.y = 1: Port line P5.y digital input is disabled (Schmitt trigger disabled, necessary for input leakage current reduction) |
|-----------|---|

12.9 - Port 6

If this 8-bit port is used for general purpose I/O, the direction of each line can be configured via the corresponding direction register DP6. Each port line can be switched into push/pull or open drain mode via the open drain control register ODP6.

P6 (FFCCh / E6h) SFR Reset Value: --00h

| | | | | | | | | | | | | | | | |
|----|----|----|----|----|----|---|---|------|------|------|------|------|------|------|------|
| 15 | 14 | 13 | 12 | 11 | 10 | 9 | 8 | 7 | 6 | 5 | 4 | 3 | 2 | 1 | 0 |
| - | - | - | - | - | - | - | - | P6.7 | P6.6 | P6.5 | P6.4 | P6.3 | P6.2 | P6.1 | P6.0 |
| | | | | | | | | RW | RW | RW | RW | RW | RW | RW | RW |

| | |
|------|------------------------------------|
| P6.y | Port Data Register P6 Bit y |
|------|------------------------------------|

DP6 (FFCEH / E7H) SFR Reset Value: --00h

| | | | | | | | | | | | | | | | |
|----|----|----|----|----|----|---|---|-------|-------|-------|-------|-------|-------|-------|-------|
| 15 | 14 | 13 | 12 | 11 | 10 | 9 | 8 | 7 | 6 | 5 | 4 | 3 | 2 | 1 | 0 |
| - | - | - | - | - | - | - | - | DP6.7 | DP6.6 | DP6.5 | DP6.4 | DP6.3 | DP6.2 | DP6.1 | DP6.0 |
| | | | | | | | | RW | RW | RW | RW | RW | RW | RW | RW |

| | |
|-------|--|
| DP6.y | Port Direction Register DP6 Bit y DP6.y = 0: Port line P6.y is an input (high impedance) DP6.y = 1: Port line P6.y is an output |
|-------|--|

| ODP6 (F1CEH / E7H) | | | | | | | | ESFR | | | | Reset Value: --00h | | | |
|--------------------|----|----|----|----|----|---|---|--------|--------|--------|--------|--------------------|--------|--------|--------|
| 15 | 14 | 13 | 12 | 11 | 10 | 9 | 8 | 7 | 6 | 5 | 4 | 3 | 2 | 1 | 0 |
| - | - | - | - | - | - | - | - | ODP6.7 | ODP6.6 | ODP6.5 | ODP6.4 | ODP6.3 | ODP6.2 | ODP6.1 | ODP6.0 |
| | | | | | | | | RW | RW | RW | RW | RW | RW | RW | RW |

| | |
|--------|--|
| ODP6.y | Port 6 Open Drain Control Register Bit y ODP6.y = 0: Port line P6.y output driver in push-pull mode ODP6.y = 1: Port line P6.y output driver in open drain mode |
|--------|--|

12.9.1 - Alternate Functions of Port 6

A programmable number of chip select signals ($\overline{CS4} \dots \overline{CS0}$) derived from the bus control registers (BUSCON4...BUSCON0) can be output on 5 pins of Port 6.

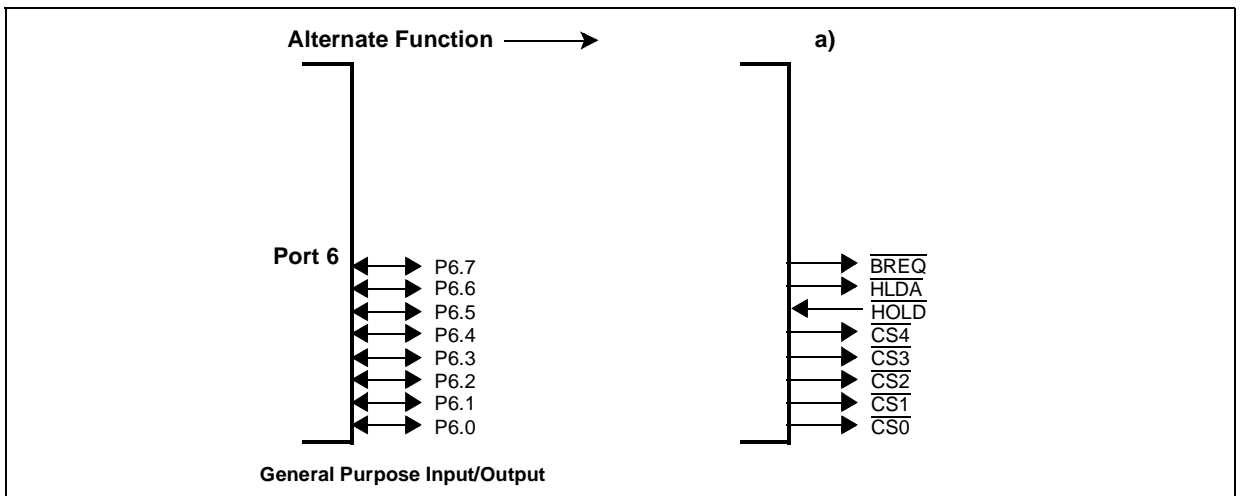
The number of chip select signals is selected via PORT0 during reset. The selected value can be read from bit-field CSSEL in register RP0H (read only) in order to check the configuration during run time.

The Table 23 summarizes the alternate functions of Port 6 depending on the number of selected chip select lines (coded via bit-field CSSEL).

Table 23 : Port 6 Alternate Functions

| Port 6 | Alternate Function CSSEL = 10 | Alternate Function CSSEL = 01 | Alternate Function CSSEL = 00 | Alternate Function CSSEL = 11 |
|--------|---|----------------------------------|----------------------------------|----------------------------------|
| P6.0 | General purpose I/O | Chip select $\overline{CS0}$ | Chip select $\overline{CS0}$ | Chip select $\overline{CS0}$ |
| P6.1 | General purpose I/O | Chip select $\overline{CS1}$ | Chip select $\overline{CS1}$ | Chip select $\overline{CS1}$ |
| P6.2 | General purpose I/O | General purpose I/O | Chip select $\overline{CS2}$ | Chip select $\overline{CS2}$ |
| P6.3 | General purpose I/O | General purpose I/O | General purpose I/O | Chip select $\overline{CS3}$ |
| P6.4 | General purpose I/O | General purpose I/O | General purpose I/O | Chip select $\overline{CS4}$ |
| P6.5 | \overline{HOLD} External hold request input | | | |
| P6.6 | \overline{HLDA} Hold acknowledge output | | | |
| P6.7 | \overline{BREQ} Bus request output | | | |

Figure 36 : Port 6 I/O and Alternate Functions



The chip select lines of Port 6 have an internal weak pull-up device. This device is switched on during reset. This feature is implemented to drive the chip select lines high during reset in order to avoid multiple chip selection.

After reset the CS function must be used, if selected so. In this case there is no possibility to program any port latches before. Thus the

alternate function (\overline{CS}) is selected automatically in this case.

Note: The open drain output option can only be selected via software earliest during the initialization routine; at least signal CS0 will be in push/pull output driver mode directly after reset.

Figure 37 : Block Diagram of Port 6 Pins with an Alternate Output Function

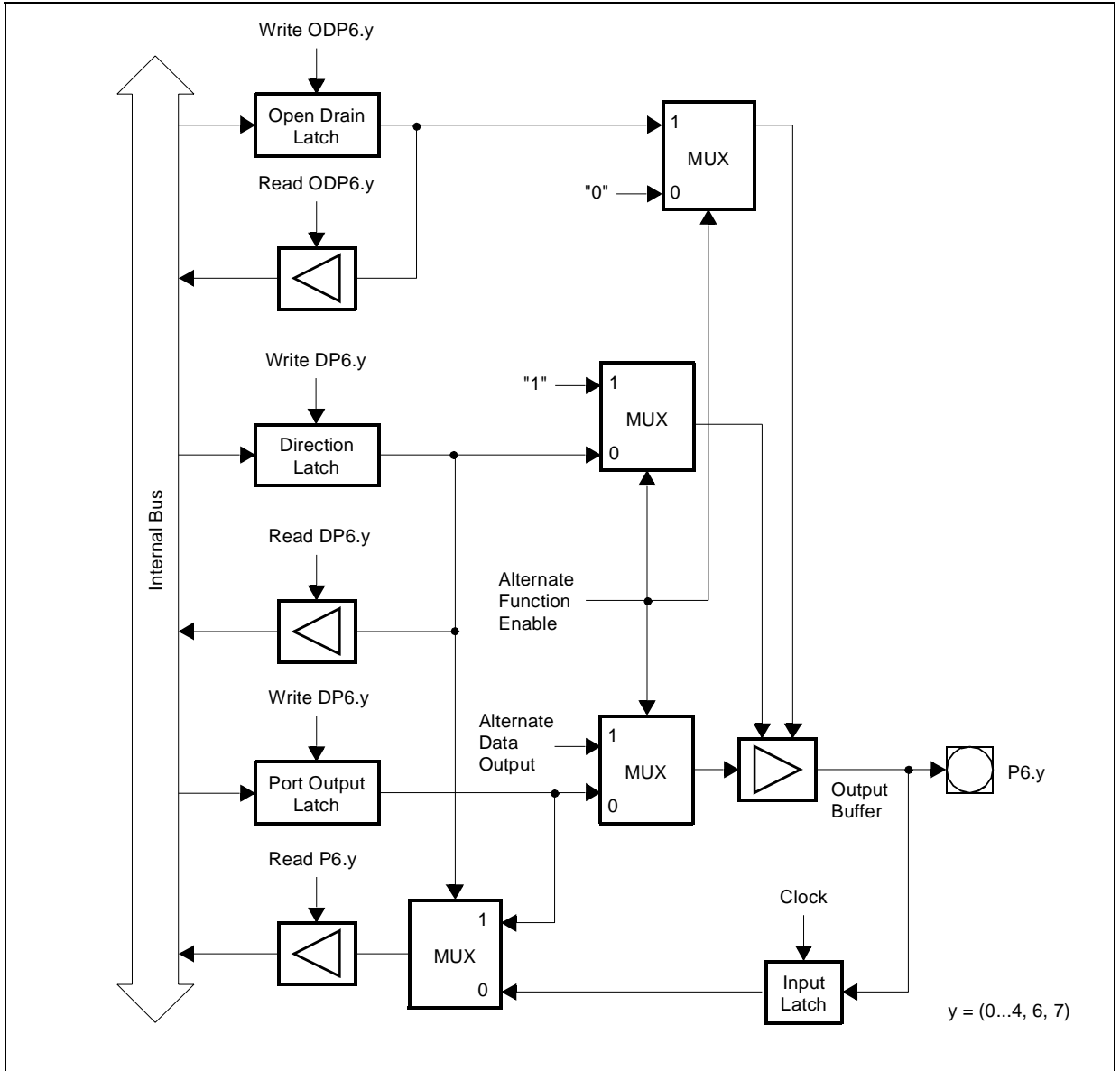
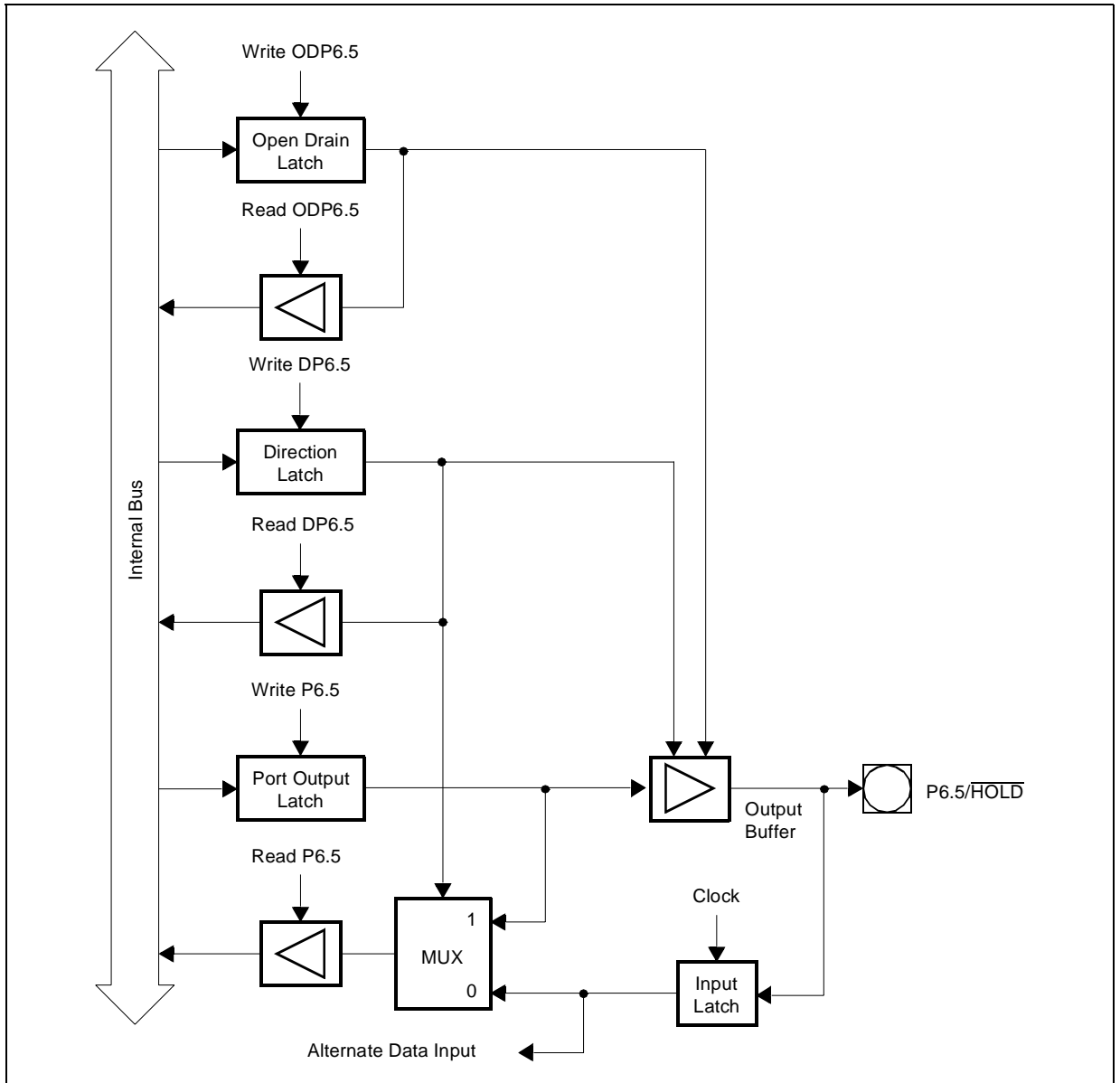


Figure 38 : Block Diagram of Pin P6.5 ($\overline{\text{HOLD}}$)

12.10 - Port 7

If this 8-bit port is used for general purpose I/O, the direction of each line can be configured via the corresponding direction register DP7. Each port line can be switched into push-pull or open drain mode via the open drain control register ODP7.

P7 (FFD0h / E8h)

SFR

Reset Value: --00h

| | | | | | | | | | | | | | | | |
|----|----|----|----|----|----|---|---|------|------|------|------|------|------|------|------|
| 15 | 14 | 13 | 12 | 11 | 10 | 9 | 8 | 7 | 6 | 5 | 4 | 3 | 2 | 1 | 0 |
| - | - | - | - | - | - | - | - | P7.7 | P7.6 | P7.5 | P7.4 | P7.3 | P7.2 | P7.1 | P7.0 |
| | | | | | | | | RW | RW | RW | RW | RW | RW | RW | RW |

| | |
|------|------------------------------------|
| P7.y | Port Data Register P7 Bit y |
|------|------------------------------------|

DP7 (FFD2h / E9h)

SFR

Reset Value: --00h

| | | | | | | | | | | | | | | | |
|----|----|----|----|----|----|---|---|-------|-------|-------|-------|-------|-------|-------|-------|
| 15 | 14 | 13 | 12 | 11 | 10 | 9 | 8 | 7 | 6 | 5 | 4 | 3 | 2 | 1 | 0 |
| - | - | - | - | - | - | - | - | DP7.7 | DP7.6 | DP7.5 | DP7.4 | DP7.3 | DP7.2 | DP7.1 | DP7.0 |
| | | | | | | | | RW | RW | RW | RW | RW | RW | RW | RW |

| | |
|-------|--|
| DP7.y | Port Direction Register DP7 Bit y DP7.y = 0: Port line P7.y is an input (high impedance) DP7.y = 1: Port line P7.y is an output |
|-------|--|

ODP7 (F1D2h / E9h)

ESFR

Reset Value: --00h

| | | | | | | | | | | | | | | | |
|----|----|----|----|----|----|---|---|--------|--------|--------|--------|--------|--------|--------|--------|
| 15 | 14 | 13 | 12 | 11 | 10 | 9 | 8 | 7 | 6 | 5 | 4 | 3 | 2 | 1 | 0 |
| - | - | - | - | - | - | - | - | ODP7.7 | ODP7.6 | ODP7.5 | ODP7.4 | ODP7.3 | ODP7.2 | ODP7.1 | ODP7.0 |
| | | | | | | | | RW | RW | RW | RW | RW | RW | RW | RW |

| | |
|--------|--|
| ODP7.y | Port 7 Open Drain Control Register Bit y ODP7.y = 0: Port line P7.y output driver in push-pull mode ODP7.y = 1: Port line P7.y output driver in open drain mode |
|--------|--|

12.10.1 - Alternate Functions of Port 7

The upper 4 lines of Port 7 (P7.7...P7.4) serve as capture inputs or compare outputs (CC31IO...CC28IO) for the CAPCOM2 unit.

The usage of the port lines by the CAPCOM unit, its accessibility via software and the precautions are the same as described for the Port 2 lines.

As all other capture inputs, the capture input function of pins P7.7...P7.4 can also be used as external interrupt inputs (200ns sample rate at 40MHz CPU clock on PQFP144 devices and 250ns sample rate at 32MHz CPU clock on TQFP144 devices).

The lower 4 lines of Port 7 (P7.3...P7.0) serve as outputs from the PWM module (POUT3...POUT0).

At these pins the value of the respective port output latch is EXORed with the value of the PWM output rather than ANDed, as the other pins do.

This allows to use the alternate output value either as it is (port latch holds a '0') or to invert its level at the pin (port latch holds a '1').

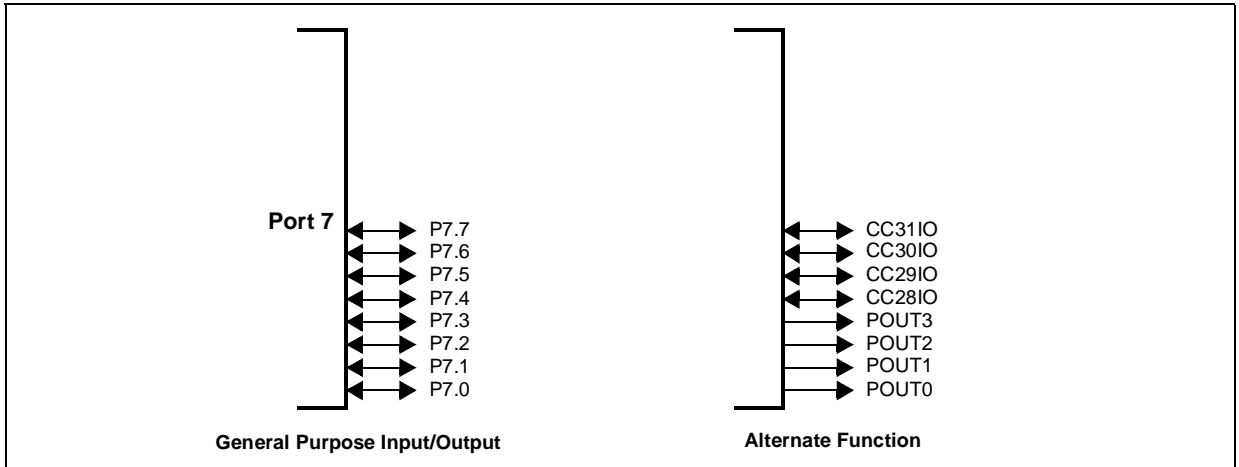
Note that the PWM outputs must be enabled via the respective PENx bit in PWMCON1.

The Table 24 summarizes the alternate functions of Port 7.

Table 24 : Port 7 Alternate Functions

| Port 7 | Alternate Function |
|--------|--|
| P7.0 | POUT0 PWM mode channel 0 output |
| P7.1 | POUT1 PWM mode channel 1 output |
| P7.2 | POUT2 PWM mode channel 2 output |
| P7.3 | POUT3 PWM mode channel 3 output |
| P7.4 | CC28IO Capture input / compare output channel 28 |
| P7.5 | CC29IO Capture input / compare output channel 29 |
| P7.6 | CC30IO Capture input / compare output channel 30 |
| P7.7 | CC31IO Capture input / compare output channel 31 |

Figure 39 : Port 7 I/O and Alternate Functions



The structure of Port 7 differs in the way the output latches are connected to the internal bus and to the pin driver. Pins P7.3...P7.0 (POUT3...POUT0)

EXOR the alternate data output with the port latch output, which allows to use the alternate data directly or inverted at the pin driver.

Figure 40 : Block Diagram of Port 7 Pins P7.3...P7.0

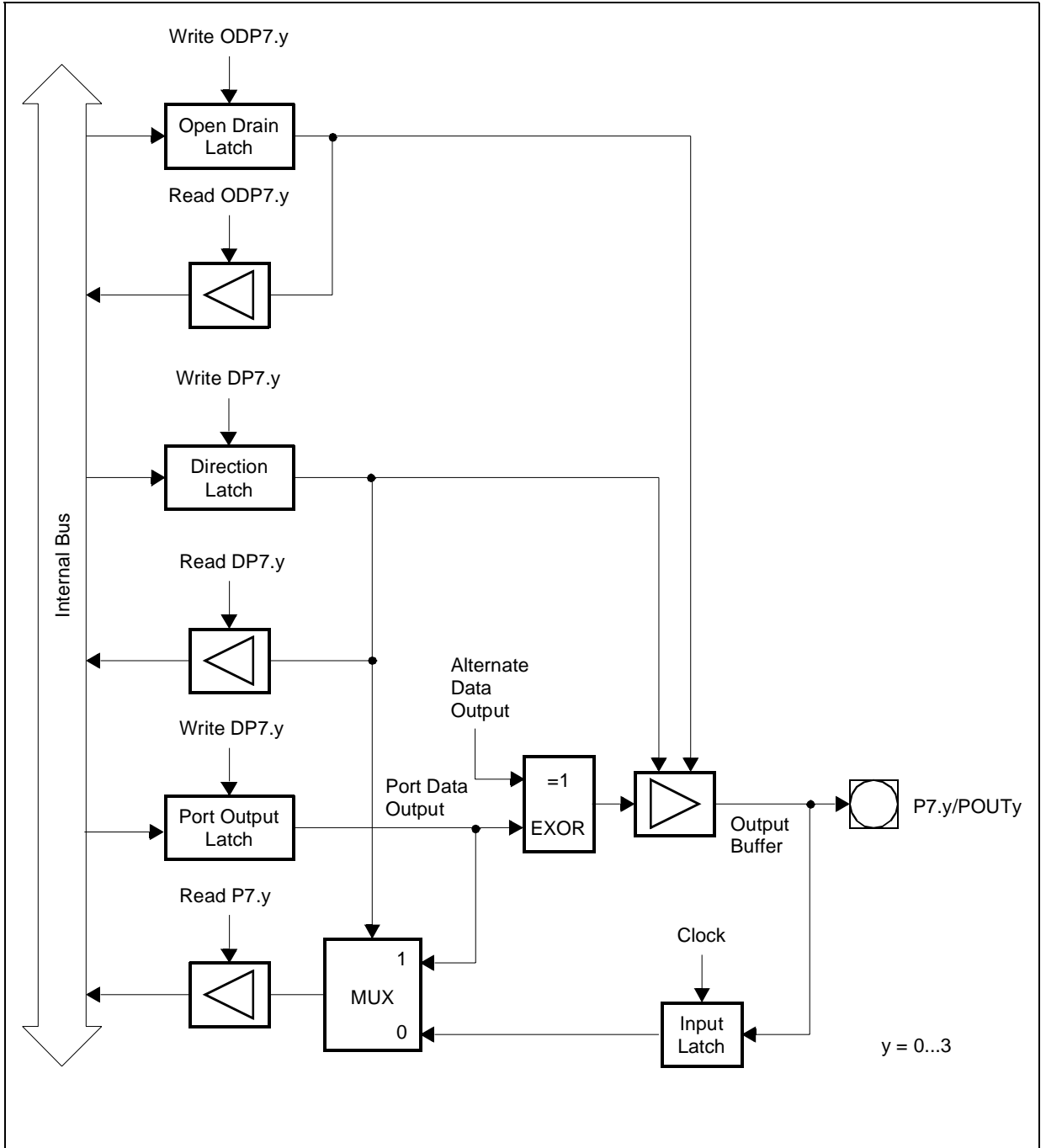
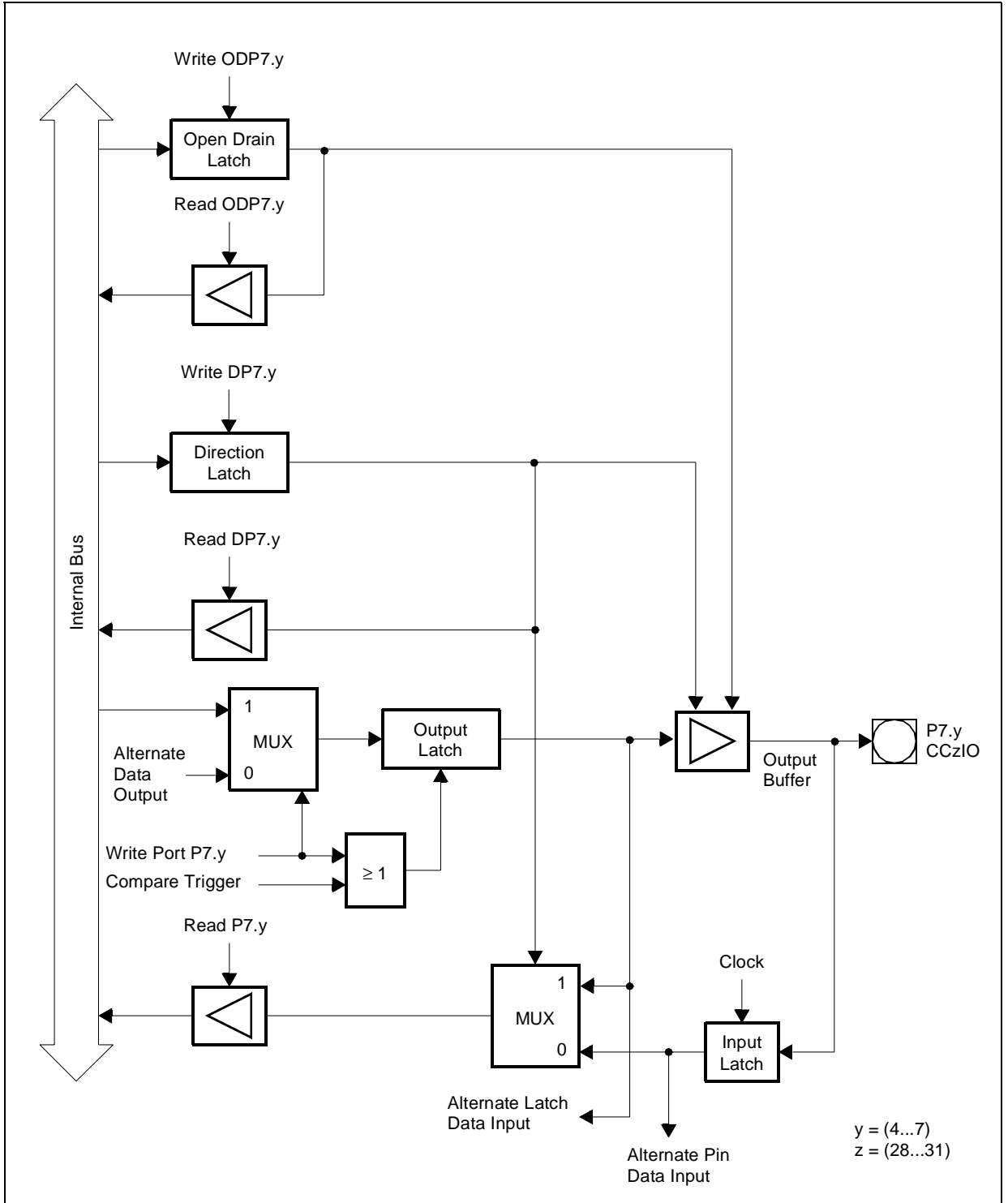


Figure 41 : Block Diagram of Port 7 Pins P7.7...P7.4



12.11 - Port 8

If this 8-bit port is used for general purpose I/O, the direction of each line can be configured via the

corresponding direction register DP8. Each port line can be switched into push/pull or open drain mode via the open drain control register ODP8.

P8 (FFD4h / EAh)

SFR

Reset Value: --00h

| | | | | | | | | | | | | | | | |
|----|----|----|----|----|----|---|---|------|------|------|------|------|------|------|------|
| 15 | 14 | 13 | 12 | 11 | 10 | 9 | 8 | 7 | 6 | 5 | 4 | 3 | 2 | 1 | 0 |
| - | - | - | - | - | - | - | - | P8.7 | P8.6 | P8.5 | P8.4 | P8.3 | P8.2 | P8.1 | P8.0 |
| | | | | | | | | RW | RW | RW | RW | RW | RW | RW | RW |

| | |
|------|------------------------------------|
| P8.y | Port Data Register P8 Bit y |
|------|------------------------------------|

DP8 (FFD6h / EBh)

SFR

Reset Value: --00h

| | | | | | | | | | | | | | | | |
|----|----|----|----|----|----|---|---|-------|-------|-------|-------|-------|-------|-------|-------|
| 15 | 14 | 13 | 12 | 11 | 10 | 9 | 8 | 7 | 6 | 5 | 4 | 3 | 2 | 1 | 0 |
| - | - | - | - | - | - | - | - | DP8.7 | DP8.6 | DP8.5 | DP8.4 | DP8.3 | DP8.2 | DP8.1 | DP8.0 |
| | | | | | | | | RW | RW | RW | RW | RW | RW | RW | RW |

| | |
|-------|--|
| DP8.y | Port Direction Register DP8 Bit y DP8.y = 0: Port line P8.y is an input (high impedance) DP8.y = 1: Port line P8.y is an output |
|-------|--|

ODP8 (F1D6h / EBh)

ESFR

Reset Value: --00h

| | | | | | | | | | | | | | | | |
|----|----|----|----|----|----|---|---|--------|--------|--------|--------|--------|--------|--------|--------|
| 15 | 14 | 13 | 12 | 11 | 10 | 9 | 8 | 7 | 6 | 5 | 4 | 3 | 2 | 1 | 0 |
| - | - | - | - | - | - | - | - | ODP8.7 | ODP8.6 | ODP8.5 | ODP8.4 | ODP8.3 | ODP8.2 | ODP8.1 | ODP8.0 |
| | | | | | | | | RW | RW | RW | RW | RW | RW | RW | RW |

| | |
|--------|--|
| ODP8.y | Port 8 Open Drain Control Register Bit y ODP8.y = 0: Port line P8.y output driver in push-pull mode ODP8.y = 1: Port line P8.y output driver in open drain mode |
|--------|--|

12.11.1 - Alternate Functions of Port 8

The 8 lines of Port 8 serve as capture inputs or as compare outputs (CC23IO...CC16IO) for the CAPCOM2 unit.

The usage of the port lines by the CAPCOM unit, its accessibility via software and the precautions are the same as described for the Port 2 lines.

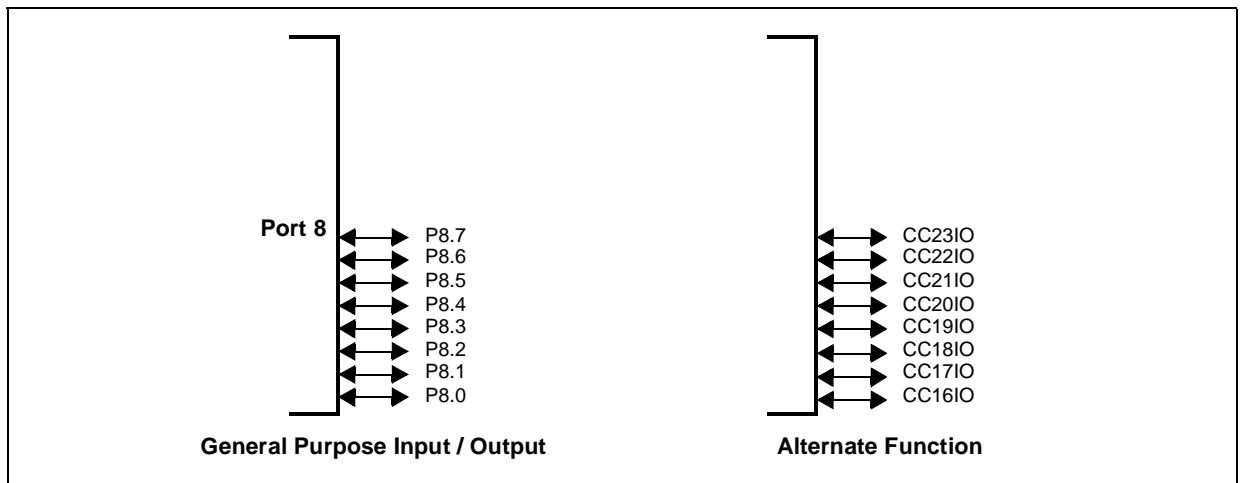
As all other capture inputs, the capture input function of pins P8.7...P8.0 can also be used as external interrupt inputs (200ns sample rate at 40MHz CPU clock on PQFP144 devices and 250ns sample rate at 32MHz CPU clock on TQFP144 devices).

The Table 25 summarizes the alternate functions of Port 8.

Table 25 : Port 8 Alternate Functions

| Port 7 | Alternate Function | |
|--------|--------------------|---|
| P8.0 | CC16IO | Capture input / compare output channel 16 |
| P8.1 | CC17IO | Capture input / compare output channel 17 |
| P8.2 | CC18IO | Capture input / compare output channel 18 |
| P8.3 | CC19IO | Capture input / compare output channel 19 |
| P8.4 | CC20IO | Capture input / compare output channel 20 |
| P8.5 | CC21IO | Capture input / compare output channel 21 |
| P8.6 | CC22IO | Capture input / compare output channel 22 |
| P8.7 | CC23IO | Capture input / compare output channel 23 |

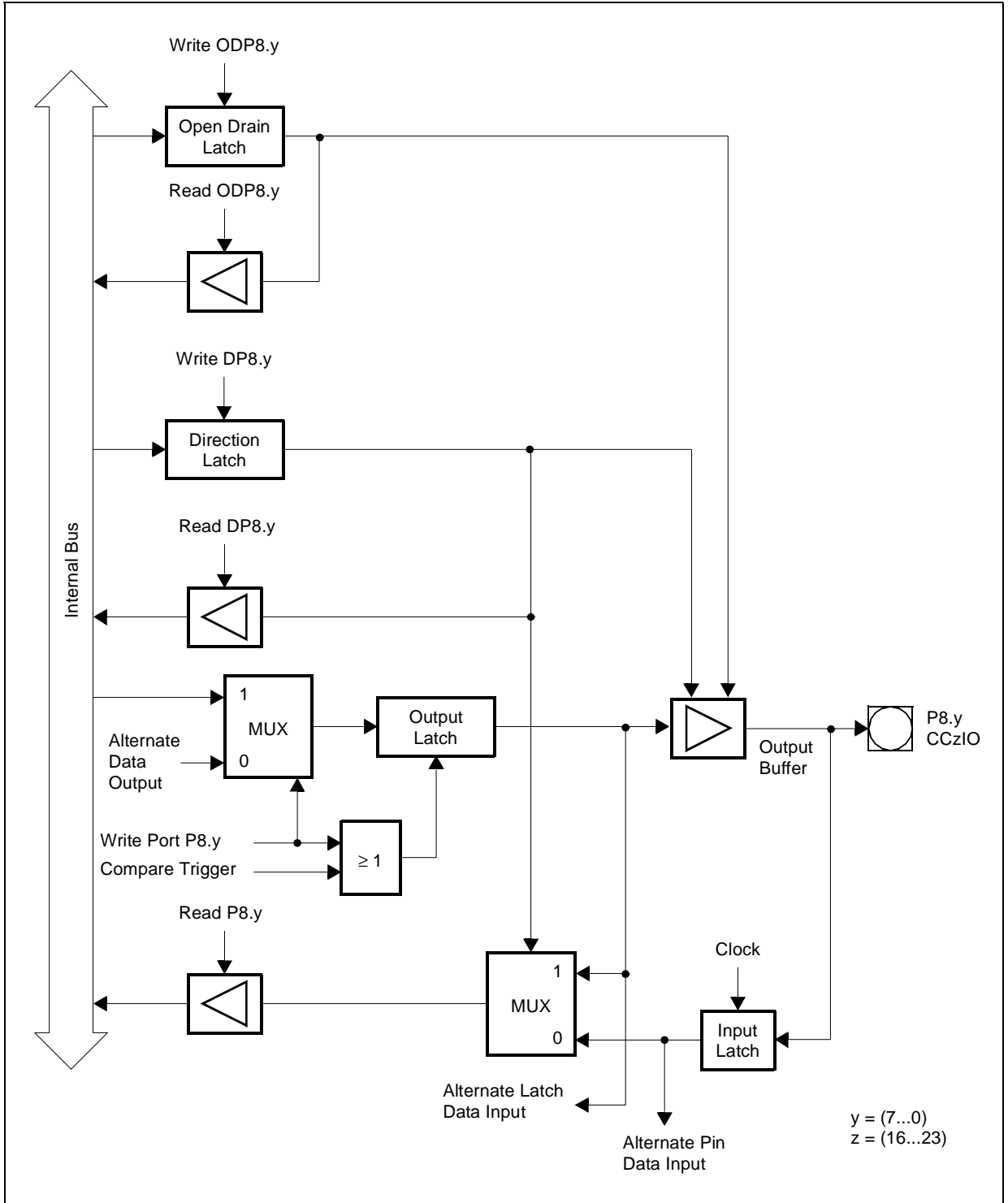
Figure 42 : Port 8 I/O and Alternate Functions



The structure of Port 8 differs in the way the output latches are connected to the internal bus and to the pin driver (see Figure 43). Pins P8.7...P8.0

(CC23IO...CC16IO) combine internal bus data and alternate data output before the port latch input, as do the Port 2 pins.

Figure 43 : Block Diagram of Port 8 Pins P8.7...P8.0



13 - A/D CONVERTER

A 10-bit A/D converter with 16 multiplexed input channels and a sample and hold circuit is integrated on-chip. The sample time (for loading the capacitors) and the conversion time is programmable and can be adjusted to the external circuitry.

To remove high frequency components from the analog input signal, a low-pass filter must be connected at the ADC input.

Overrun error detection / protection is controlled by the ADDAT register. Either an interrupt request is generated when the result of a previous conversion has not been read from the result register at the time the next conversion is complete, or the next conversion is suspended until the previous result has been read. For applications which require less than 16 analog input channels, the remaining channel inputs can be used as digital input port pins. The A/D converter of the ST10F269 supports different conversion modes:

- **Single channel single conversion:** the analog level of the selected channel is sampled once and converted. The result of the conversion is stored in the ADDAT register.
- **Single channel continuous conversion:** the analog level of the selected channel is repeatedly sampled and converted. The result of the conversion is stored in the ADDAT register.
- **Auto scan single conversion:** the analog level of the selected channels are sampled once and converted. After each conversion the result is stored in the ADDAT register. The data can be transferred to the RAM by interrupt software management or using the powerful Peripheral Event Controller (PEC) data transfer.
- **Auto scan continuous conversion:** the analog level of the selected channels are repeatedly sampled and converted. The result of the conversion is stored in the ADDAT register. The data can be transferred to the RAM by interrupt software management or using the PEC data transfer.
- **Wait for ADDAT read mode:** when using continuous modes, in order to avoid to overwrite the result of the current conversion by the next one, the ADWR bit of ADCON control register must be activated. Then, until the ADDAT register is read, the new result is stored in a temporary buffer and the conversion is on hold.
- **Channel injection mode:** when using continuous modes, a selected channel can be converted in between without changing the current operating mode. The 10-bit data of the conversion are stored in ADRES field of ADDAT2. The current continuous mode remains active after the single conversion is completed

Table 26 : ADC Sample Clock and Conversion Clock (PQFP144 devices)

| ADCTC | Conversion Clock t_{CC} | | ADSTC | Sample Clock t_{SC} | |
|-------|-------------------------------|----------------------|-------|-----------------------|----------------------|
| | $TCL^1 = 1/2 \times f_{XTAL}$ | At $f_{CPU} = 40MHz$ | | $t_{SC} =$ | At $f_{CPU} = 40MHz$ |
| 00 | TCL x 24 | 0.3 μs | 00 | t_{CC} | 0.3 μs^2 |
| 01 | Reserved, do not use | Reserved | 01 | $t_{CC} \times 2$ | 0.6 μs^2 |
| 10 | TCL x 96 | 1.2 μs | 10 | $t_{CC} \times 4$ | 1.2 μs^2 |
| 11 | TCL x 48 | 0.6 μs | 11 | $t_{CC} \times 8$ | 2.4 μs^2 |

Notes: 1. Section 21.4.5 - : Direct Drive for TCL definition.

2. $t_{CC} = TCL \times 24$

Table 27 : ADC Sample Clock and Conversion Clock (TQFP144 devices)

| ADCON 15/14 ADCTC | Conversion Clock t_{CC} | | ADCON 13/12 ADSTC | Sample Clock t_{SC} | |
|----------------------|-------------------------------|----------------------|----------------------|-----------------------|----------------------|
| | $TCL^1 = 1/2 \times f_{XTAL}$ | At $f_{CPU} = 32MHz$ | | $t_{SC} =$ | At $f_{CPU} = 32MHz$ |
| 00 | TCL x 24 | 0.375 μs | 00 | t_{CC} | 0.375 μs^2 |
| 01 | Reserved, do not use | Reserved | 01 | $t_{CC} \times 2$ | 0.75 μs^2 |
| 10 | TCL x 96 | 1.5 μs | 10 | $t_{CC} \times 4$ | 1.50 μs^2 |
| 11 | TCL x 48 | 0.75 μs | 11 | $t_{CC} \times 8$ | 3.00 μs^2 |

Notes: 1. Section 21.4.5 -: Direct Drive for TCL definition.

2. $t_{CC} = TCL \times 24$

14 - SERIAL CHANNELS

Serial communication with other microcontrollers, microprocessors, terminals or external peripheral components is provided by two serial interfaces: the asynchronous / synchronous serial channel (ASCO) and the high-speed synchronous serial channel (SSC). Two dedicated Baud rate generators set up all standard Baud rates without the requirement of oscillator tuning. For transmission, reception and erroneous reception, 3 separate interrupt vectors are provided for each serial channel.

14.1 - Asynchronous / Synchronous Serial Interface (ASCO)

The asynchronous / synchronous serial interface (ASCO) provides serial communication between the ST10F269 and other microcontrollers, microprocessors or external peripherals.

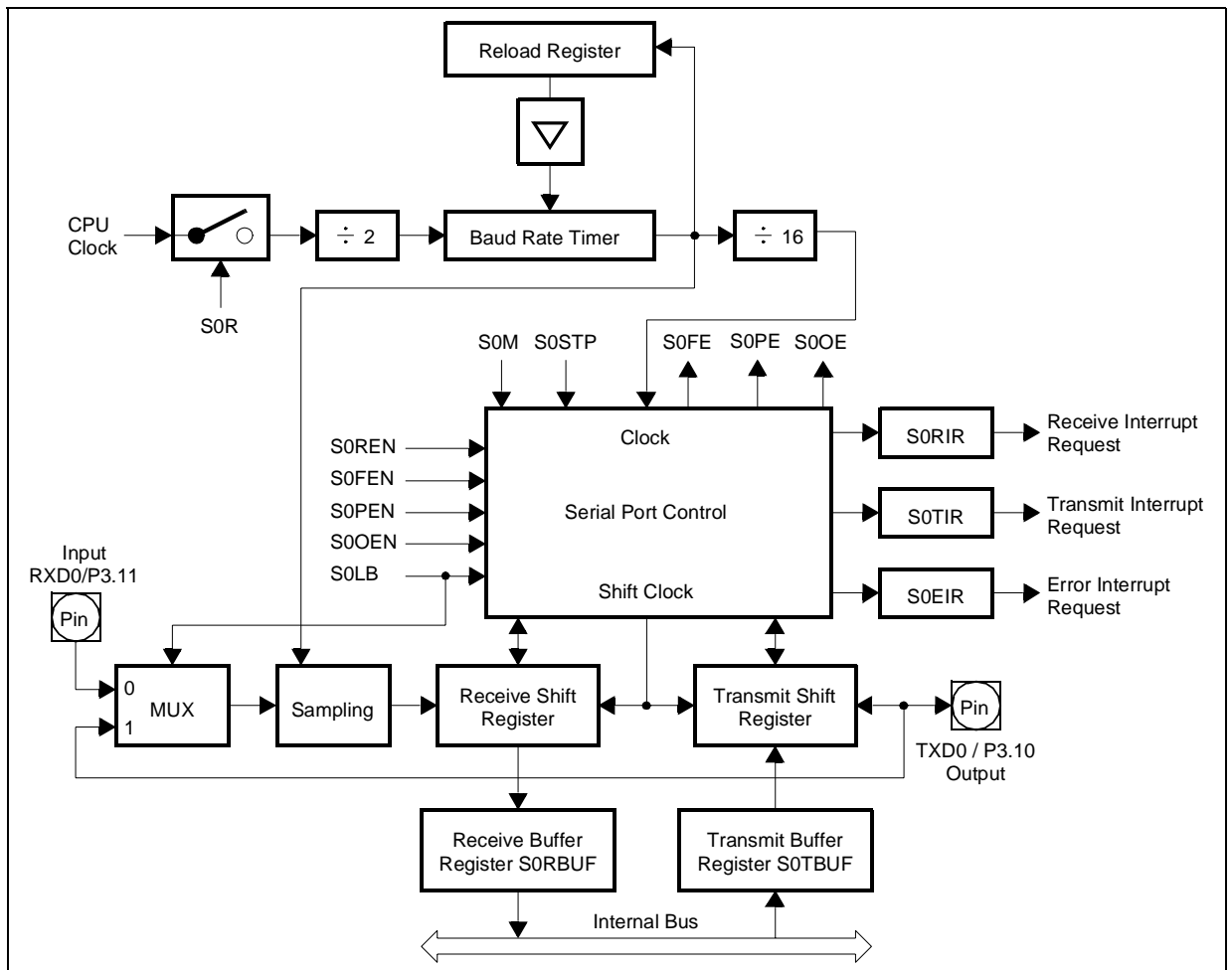
A set of registers is used to configure and to control the ASCO serial interface:

- P3, DP3, ODP3 for pin configuration
- SOBGM for Baud rate generator
- SOTBUF for transmit buffer
- SOTIC for transmit interrupt control
- SOTBIC for transmit buffer interrupt control
- SOCON for control
- SORBUF for receive buffer (read only)
- SORIC for receive interrupt control
- SOEIC for error interrupt control

14.1.1 - ASCO in Asynchronous Mode

In asynchronous mode, 8 or 9-bit data transfer, parity generation and the number of stop bit can be selected. Parity framing and overrun error detection is provided to increase the reliability of data transfers. Transmission and reception of data is double-buffered. Full-duplex communication up to 1.25M Bauds (at 40MHz f_{CPU} on PQFP144 devices) and up to 1MBaud (at 32MHz f_{CPU} on TQFP144 devices) is supported in this mode.

Figure 44 : Asynchronous Mode of Serial Channel ASCO



Asynchronous Mode Baud rates

For asynchronous operation, the Baud rate generator provides a clock with 16 times the rate of the established Baud rate. Every received bit is sampled at the 7th, 8th and 9th cycle of this clock. The Baud rate for asynchronous operation of serial channel ASC0 and the required reload value for a given Baud rate can be determined by the following formulas:

(SOBRL) represents the content of the reload register, taken as unsigned 13-bit integer, (SOBRS) represents the value of bit SOBRS ('0' or '1'), taken as integer.

$$B_{\text{Async}} = \frac{f_{\text{CPU}}}{16 \times [2 + (\text{SOBRS})] \times [(\text{SOBRL}) + 1]}$$

$$\text{SOBRL} = \left(\frac{f_{\text{CPU}}}{16 \times [2 + (\text{SOBRS})] \times B_{\text{Async}}} \right) - 1$$

Using the above equation, the maximum Baud rate can be calculated for any given clock speed. Baud rate versus reload register value (SOBRS=0 and SOBRS=1) is described in Table 28. and Table 29

Table 28 : Commonly Used Baud Rates by Reload Value and Deviation Errors (PQFP144 devices)

| SOBRS = '0', f _{CPU} = 40MHz | | | SOBRS = '1', f _{CPU} = 40MHz | | |
|---------------------------------------|-----------------|---------------------|---------------------------------------|-----------------|---------------------|
| Baud Rate (Baud) | Deviation Error | Reload Value (hexa) | Baud Rate (Baud) | Deviation Error | Reload Value (hexa) |
| 1 250 000 | 0.0% / 0.0% | 0000 / 0000 | 833 333 | 0.0% / 0.0% | 0000 / 0000 |
| 112 000 | +1.5% / -7.0% | 000A / 000B | 112 000 | +6.3% / -7.0% | 0006 / 0007 |
| 56 000 | +1.5% / -3.0% | 0015 / 0016 | 56 000 | +6.3% / -0.8% | 000D / 000E |
| 38 400 | +1.7% / -1.4% | 001F / 0020 | 38 400 | +3.3% / -1.4% | 0014 / 0015 |
| 19 200 | +0.2% / -1.4% | 0040 / 0041 | 19 200 | +0.9% / -1.4% | 002A / 002B |
| 9 600 | +0.2% / -0.6% | 0081 / 0082 | 9 600 | +0.9% / -0.2% | 0055 / 0056 |
| 4 800 | +0.2% / -0.2% | 0103 / 0104 | 4 800 | +0.4% / -0.2% | 00AC / 00AD |
| 2 400 | +0.2% / -0.0% | 0207 / 0208 | 2 400 | +0.1% / -0.2% | 015A / 015B |
| 1 200 | 0.1% / 0.0% | 0410 / 0411 | 1 200 | +0.1% / -0.1% | 02B5 / 02B6 |
| 600 | 0.0% / 0.0% | 0822 / 0823 | 600 | +0.1% / -0.0% | 056B / 056C |
| 300 | 0.0% / 0.0% | 1045 / 1046 | 300 | 0.0% / 0.0% | 0AD8 / 0AD9 |
| 153 | 0.0% / 0.0% | 1FE8 / 1FE9 | 102 | 0.0% / 0.0% | 1FE8 / 1FE9 |

Note: The deviation errors given in the Table 28 are rounded. To avoid deviation errors use a Baud rate crystal (providing a multiple of the ASC0/SSC sampling frequency).

Table 29 : Commonly Used Baud Rates by Reload Value and Deviation Errors (TQFP144 devices)

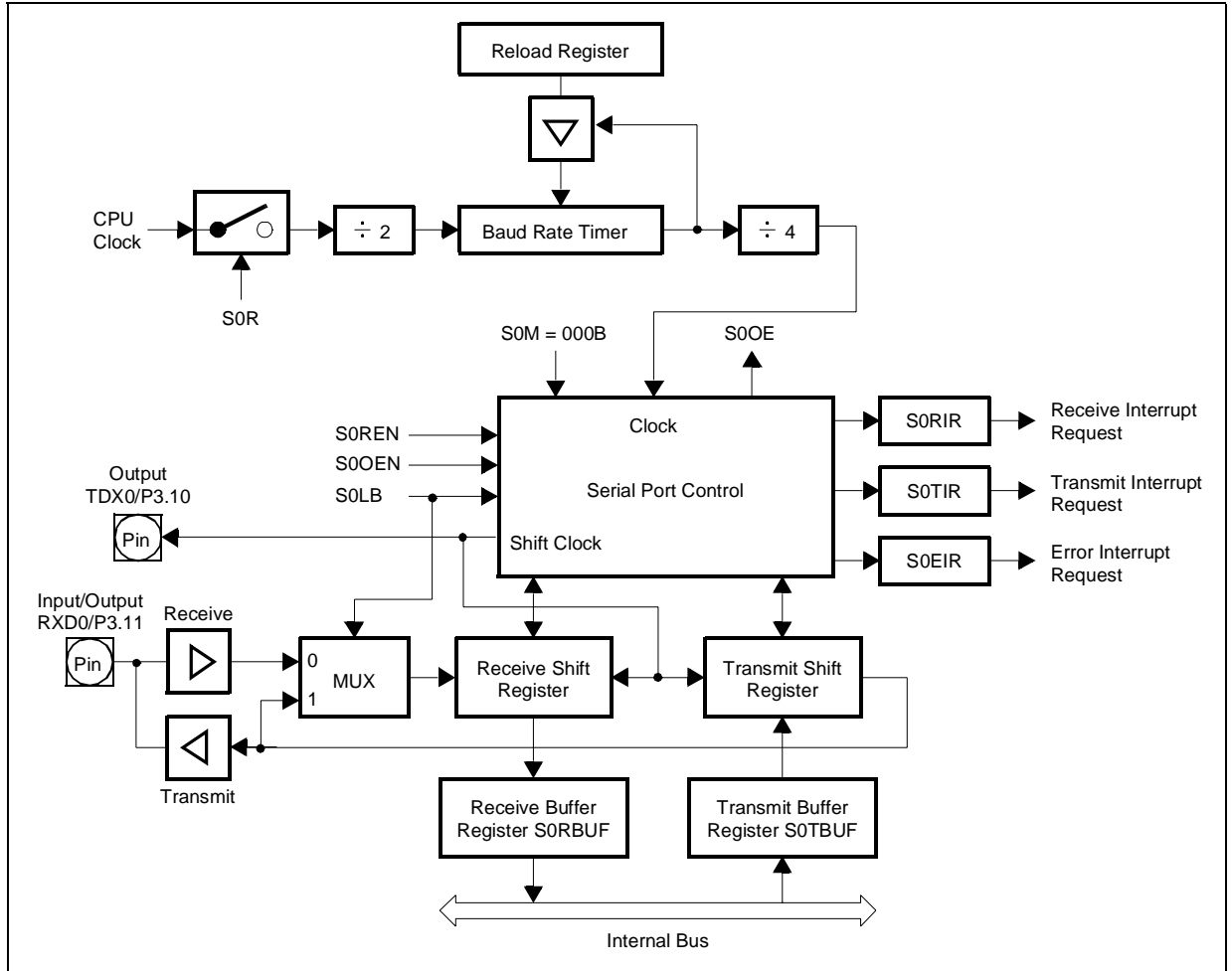
| S0BRS = '0', f _{CPU} = 32MHz | | | S0BRS = '1', f _{CPU} = 32MHz | | |
|---------------------------------------|-----------------|---------------|---------------------------------------|-----------------|---------------|
| Baud Rate (Baud) | Deviation Error | Reload Value | Baud Rate (Baud) | Deviation Error | Reload Value |
| 1000 000 | ±0.0% | 0000h | 666 667 | ±0.0% | 0000h |
| 56000 | +5.0% / -0.8% | 0010h / 001h | 56000 | +8.2% / -0.8% | 000Ah / 000Bh |
| 38400 | +0.2% / -3.5% | 0019h / 0020h | 38400 | +2.1% / -3.5% | 0010h / 0011h |
| 19200 | +0.2% / -1.7% | 0033h / 0034h | 19200 | +2.1% / -0.8% | 0021h / 0022h |
| 9600 | +0.2% / -0.8% | 0067h / 0068h | 9600 | +0.6% / -0.8% | 0044h / 0045h |
| 4800 | +0.5% / -0.3% | 00CFh / 00CEh | 4800 | +0.6% / -0.1% | 0089h / 008Ah |
| 2400 | +0.2% / -0.1% | 019Fh / 01A0h | 2400 | +0.3% / -0.1% | 0114h / 0115h |
| 1200 | +0.1% / -0.1% | 0340h / 0341h | 1200 | +0.1% / -0.1% | 022Ah / 022Bh |
| 600 | +0.1% / -0.1% | 0681h / 0682h | 600 | +0.1% / -0.1% | 0456h / 0457h |
| 95 | +0.1% / -0.1% | 291Dh / 291Eh | 75 | +0.1% / 0.1% | 22B7h / 22B8h |
| | | | 63 | +0.1% / -0.1% | 2955h / 2956h |

Note: The deviation errors given in the Table 29 are rounded. To avoid deviation errors use a Baud rate crystal (providing a multiple of the ASC0/SSC sampling frequency).

14.1.2 - ASCO in Synchronous Mode

In synchronous mode, data are transmitted or received synchronously to a shift clock which is generated by the ST10F269. Half-duplex communication up to 5M Baud (at 40MHz f_{CPU}) or 4M Baud (at 32MHz) is possible in this mode.

Figure 45 : Synchronous Mode of Serial Channel ASCO



Synchronous Mode Baud Rates

For synchronous operation, the Baud rate generator provides a clock with 4 times the rate of the established Baud rate. The Baud rate for synchronous operation of serial channel ASC0 can be determined by the following formula:

(S0BRL) represents the content of the reload register, taken as unsigned 13-bit integers,
(S0BRS) represents the value of bit S0BRS ('0' or '1'), taken as integer.

$$B_{\text{Sync}} = \frac{f_{\text{CPU}}}{4 \times [2 + (\text{S0BRS})] \times [(\text{S0BRL}) + 1]}$$

$$\text{S0BRL} = \left(\frac{f_{\text{CPU}}}{4 \times [2 + (\text{S0BRS})] \times B_{\text{Sync}}} \right) - 1$$

Using the above equation, the maximum Baud rate can be calculated for any clock speed as given in Table 30 and Table 31

Table 30 : Commonly Used Baud Rates by Reload Value and Deviation Errors (PQFP144 devices)

| S0BRS = '0', f _{CPU} = 40MHz | | | S0BRS = '1', f _{CPU} = 40MHz | | |
|---------------------------------------|-----------------|---------------------|---------------------------------------|-----------------|---------------------|
| Baud Rate (Baud) | Deviation Error | Reload Value (hexa) | Baud Rate (Baud) | Deviation Error | Reload Value (hexa) |
| 5 000 000 | 0.0% / 0.0% | 0000 / 0000 | 3 333 333 | 0.0% / 0.0% | 0000 / 0000 |
| 112 000 | +1.5% / -0.8% | 002B / 002C | 112 000 | +2.6% / -0.8% | 001C / 001D |
| 56 000 | +0.3% / -0.8% | 0058 / 0059 | 56 000 | +0.9% / -0.8% | 003A / 003B |
| 38 400 | +0.2% / -0.6% | 0081 / 0082 | 38 400 | +0.9% / -0.2% | 0055 / 0056 |
| 19 200 | +0.2% / -0.2% | 0103 / 0104 | 19 200 | +0.4% / -0.2% | 00AC / 00AD |
| 9 600 | +0.2% / -0.0% | 0207 / 0208 | 9 600 | +0.1% / -0.2% | 015A / 015B |
| 4 800 | +0.1% / -0.0% | 0410 / 0411 | 4 800 | +0.1% / -0.1% | 02B5 / 02B6 |
| 2 400 | 0.0% / 0.0% | 0822 / 0823 | 2 400 | +0.1% / -0.0% | 056B / 056C |
| 1 200 | 0.0% / 0.0% | 1045 / 1046 | 1 200 | 0.0% / 0.0% | 0AD8 / 0AD9 |
| 900 | 0.0% / 0.0% | 15B2 / 15B3 | 600 | 0.0% / 0.0% | 15B2 / 15B3 |
| 612 | 0.0% / 0.0% | 1FE8 / 1FE9 | 407 | 0.0% / 0.0% | 1FFD / 1FFE |

Note: The deviation errors given in the Table 30 are rounded. To avoid deviation errors use a Baud rate crystal (providing a multiple of the ASC0/SSC sampling frequency)

Table 31 : Commonly Used Baud Rates by Reload Value and Deviation Errors (TQFP144 devices)

| S0BRS = '0', f _{CPU} = 32MHz | | | S0BRS = '1', f _{CPU} = 32MHz | | |
|---------------------------------------|-----------------|---------------|---------------------------------------|-----------------|----------------|
| Baud Rate (Baud) | Deviation Error | Reload Value | Baud Rate (Baud) | Deviation Error | Reload Value |
| 4 000 000 | ±0.0% | 0000h | 2 666 667 | ±0.0% | 0000h |
| 224 000 | +5.0% / -0.8% | 0011h / 0012h | 224 000 | +8.2% / -0.8% | 000Bh / 000Ch |
| 112 000 | +2.0% / -0.8% | 0023h / 0024h | 112 000 | +3.5% / -0.8% | 0017h / 0018h |
| 56 000 | +0.6% / -0.8% | 0046h / 0047h | 56 000 | +1.3% / -0.8% | 002Fh / 0030h |
| 38 400 | +0.2% / -0.85% | 0077h / 0078h | 38 400 | +0.6% / -0.8% | 0044h / 0045h |
| 19 200 | +0.2% / -0.3% | 00BFh / 00C0h | 19 200 | +0.6% / -0.1% | 008Ah / 008Bh |
| 9 600 | +0.2% / -0.1% | 01A0h / 01A1h | 9 600 | +0.3% / -0.1% | 0115h / 0116h |
| 4 800 | +0.0% / -0.1% | 0340h / 0341h | 4 800 | +0.1% / -0.1% | 022Bh / 022Ch |
| 2 400 | +0.0% / -0.0% | 0682h / 0683h | 2 400 | +0.0% / -0.1% | 0456h / 0457h |
| 1 200 | +0.0% / -0.0% | 004h / 0D05h | 1 200 | +0.0% / -0.0% | 08ACh / 08ADh |
| 600 | +0.0% / -0.0% | 1A0Ah / 1A0Bh | 600 | +0.0% / -0.0% | 115Bh / 115C7h |
| 490 | +0.0% / -0.0% | 1FE2h / 1FE3h | 320 | +0.2% | 1FFFh |

Note: The deviation errors given in the Table 31 are rounded. To avoid deviation errors use a Baud rate crystal (providing a multiple of the ASC0/SSC sampling frequency)

14.2 - High Speed Synchronous Serial Channel (SSC)

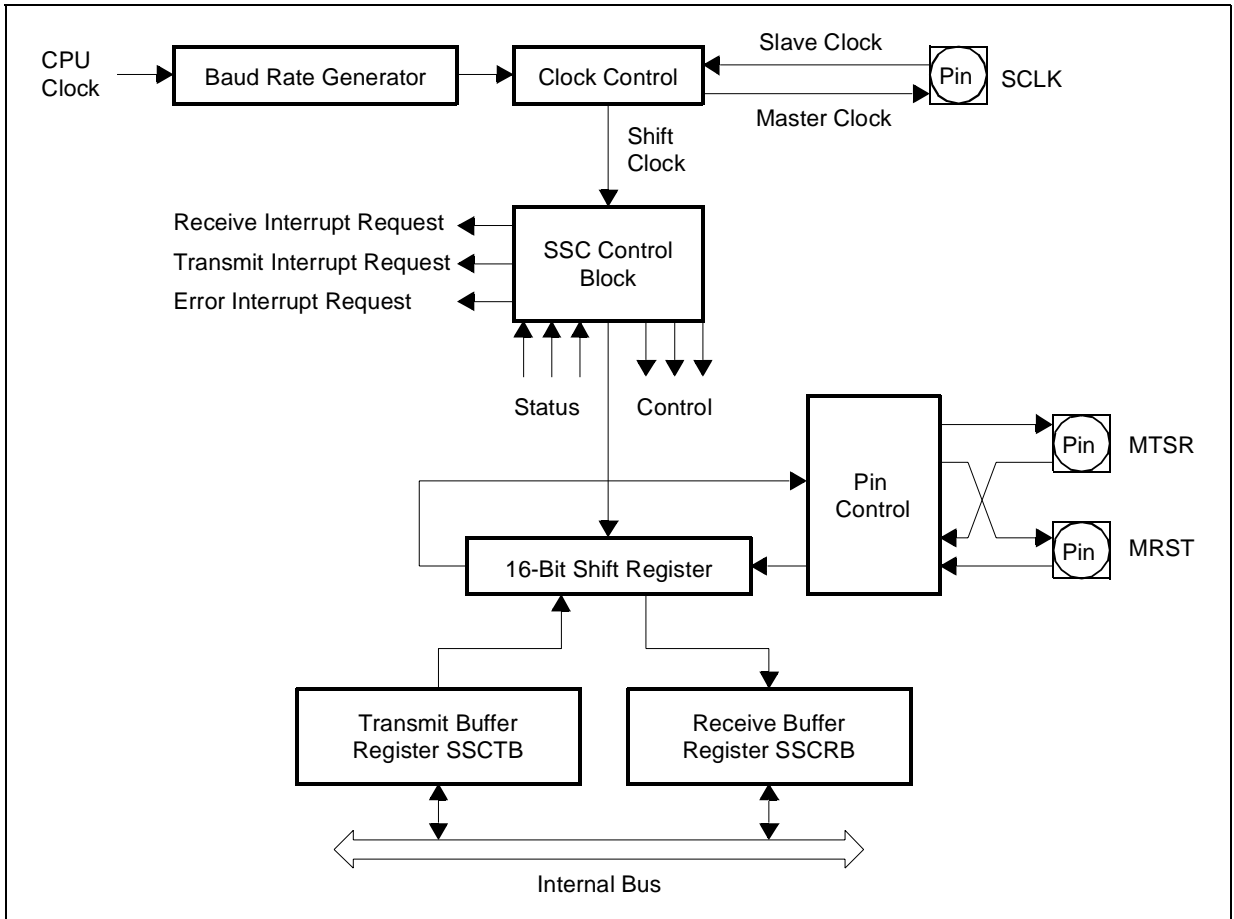
The High-Speed Synchronous Serial Interface SSC provides flexible high-speed serial communication between the ST10F269 and other microcontrollers, microprocessors or external peripherals.

The SSC supports full-duplex and half-duplex synchronous communication. The serial clock signal can be generated by the SSC itself (master mode) or be received from an external master

(slave mode). Data width, shift direction, clock polarity and phase are programmable.

This allows communication with SPI-compatible devices. Transmission and reception of data is double-buffered. A 16-bit Baud rate generator provides the SSC with a separate serial clock signal. The serial channel SSC has its own dedicated 16-bit Baud rate generator with 16-bit reload capability, allowing Baud rate generation independent from the timers.

Figure 46 : Synchronous Serial Channel SSC Block Diagram



Baud Rate Generation

The Baud rate generator is clocked by $f_{CPU}/2$. The timer is counting downwards and can be started or stopped through the global enable bit SSCEN in register SSCON. Register SSCBR is the dual-function Baud Rate Generator/Reload register. Reading SSCBR, while the SSC is enabled, returns the content of the timer. Reading SSCBR, while the SSC is disabled, returns the programmed reload value. In this mode the desired reload value can be written to SSCBR.

Note Never write to SSCBR, while the SSC is enabled.

The formulas below calculate the resulting Baud rate for a given reload value and the required reload value for a given Baud rate:

$$\text{Baud rate}_{SSC} = \frac{f_{CPU}}{2 \times [(SSCBR) + 1]}$$

$$SSCBR = \left(\frac{f_{CPU}}{2 \times \text{Baud rate}_{SSC}} \right) - 1$$

(SSCBR) represents the content of the reload register, taken as unsigned 16-bit integer.

Table 32 lists some possible Baud rates against the required reload values and the resulting bit times for a 40MHz CPU clock.

Table 32 : Synchronous Baud Rate and Reload Values (PQFP144 devices)

| Baud Rate | Bit Time | Reload Value |
|----------------------------------|----------|--------------|
| Reserved use a reload value > 0. | --- | --- |
| 10M Baud | 100ns | 0001h |
| 5M Baud | 200ns | 0003h |
| 2.5M Baud | 400ns | 0007h |
| 1M Baud | 1μs | 0013h |
| 100K Baud | 10μs | 00C7h |
| 10K Baud | 100μs | 07CFh |
| 1K Baud | 1ms | 4E1Fh |
| 306 Baud | 3.26ms | FF4Eh |

Table 33 lists some possible Baud rates against the required reload values and the resulting bit times for a 32MHz CPU clock.

Table 33 : Synchronous Baud Rate and Reload Values (TQFP144 devices)

| Baud Rate | Bit Time | Reload Value |
|----------------------------------|----------|--------------|
| Reserved use a reload value > 0. | --- | --- |
| 8MBaud | 125ns | 0001h |
| 4MBaud | 250ns | 0003h |
| 2MBaud | 500ns | 0007h |
| 1MBaud | 1μs | 000Fh |
| 500KBaud | 2μs | 001Fh |
| 100KBaud | 10μs | 009Fh |
| 10KBaud | 100μs | 030Ch |
| 1K Baud | 1ms | 3E7Fh |
| 244.14 Baud | 5.24ms | FFFFh |

15 - CAN MODULES

The two integrated CAN modules (CAN1 and CAN2) are identical and handle the completely autonomous transmission and reception of CAN frames according to the CAN specification V2.0 part B (active).

Each on-chip CAN module can receive and transmit standard frames with 11-bit identifiers as well as extended frames with 29-bit identifiers. These two CAN modules are both identical to the CAN module of the ST10F167.

Because of duplication of the CAN controllers, the following adjustments are to be considered:

- Same internal register addresses of both CAN controllers, but with base addresses differing in address bit A8; separate chip select for each CAN module. Refer to Chapter : *Memory Organization* on page 14.
- The CAN1 transmit line (CAN1_TxD) is the alternate function of the Port P4.6 pin and the receive line (CAN1_RxD) is the alternate function of the Port P4.5 pin.
- The CAN2 transmit line (CAN2_TxD) is the alternate function of the Port P4.7 pin and the receive line (CAN2_RxD) is the alternate function of the Port P4.4 pin.
- Interrupt request line of the CAN1 module is connected to the XBUS interrupt line XP0, interrupt of the CAN2 module is connected to the line XP1.
- The CAN modules must be selected with corresponding CANxEN bit of XPERCON register before the bit XPEN of SYSCON register is set.
- The reset default configuration is: CAN1 is enabled, CAN2 is disabled.

15.1 - CAN Modules Memory Mapping

15.1.1 - CAN1

Address range 00'EF00h - 00'EFFFh is reserved for the CAN1 Module access. CAN1 is enabled by setting XPEN bit 2 of the SYSCON register and by setting bit 0 of the XPERCON register. Accesses to the CAN Module use demultiplexed addresses and a 16-bit data bus (Byte accesses are possible). Two wait states give an access time of 125ns at 40MHz CPU clock or at 32MHz CPU clock. No tri-state wait states are used.

15.1.2 - CAN2

Address range 00'EE00h - 00'EEFFh is reserved for the CAN2 Module access. CAN2 is enabled by setting XPEN bit 2 of the SYSCON register and by setting bit 1 of the XPERCON register. Accesses

to the CAN Module use demultiplexed addresses and a 16-bit data bus (Byte accesses are possible). Two wait states give an access time of 125ns at 40MHz or 32MHz CPU clock. No tri-state wait states are used.

Note: If one or both CAN modules is used, Port 4 cannot be programmed to output all 8 segment address lines. Thus, only 4 segment address lines can be used, reducing the external memory space to 5M Bytes (1M Byte per \overline{CS} line).

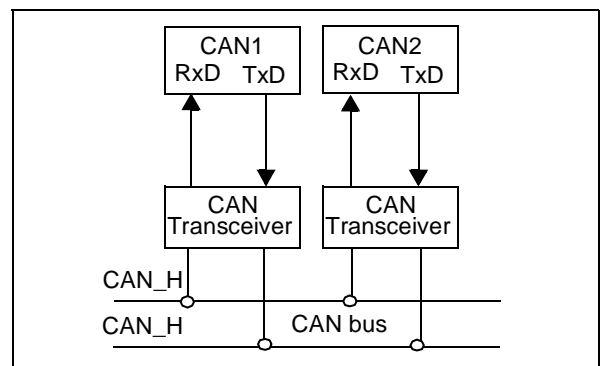
15.2 - CAN Bus Configurations

Depending on application, CAN bus configuration may be one single bus with a single or multiple interfaces or a multiple bus with a single or multiple interfaces. The ST10F269 is able to support these 2 cases.

Single CAN Bus

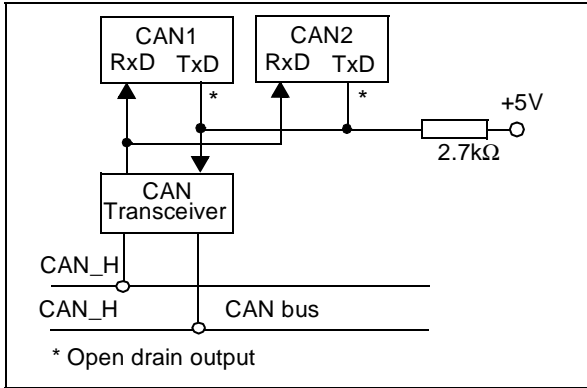
The single CAN Bus multiple interfaces configuration may be implemented using 2 CAN transceivers as shown in Figure 47.

Figure 47 : Single CAN Bus Multiple Interfaces, Multiple Transceivers



The ST10F269 also supports single CAN Bus multiple (dual) interfaces using the open drain option of the CANx_TxD output as shown in Figure 48. Thanks to the OR-Wired Connection, only one transceiver is required. In this case the design of the application must take in account the wire length and the noise environment.

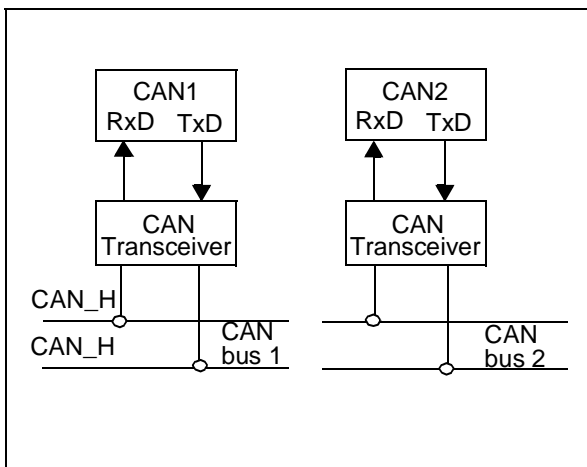
Figure 48 : Single CAN Bus, Dual Interfaces, Single Transceiver



Multiple CAN Bus

The ST10F269 provides 2 CAN interfaces to support such kind of bus configuration as shown in Figure 49.

Figure 49 : Connection to Two Different CAN Buses (e.g. for gateway application)



16 - REAL TIME CLOCK

The Real Time Clock is an independent timer, which clock is directly derived from the clock oscillator on XTAL1 input so that it can keep on running even in Idle or Power down mode (if enabled to). Registers access is implemented onto the XBUS. This module is designed for the following purposes:

- Generate the current time and date for the system
- Cyclic time based interrupt, provides Port 2 external interrupts every second and every n seconds (n is programmable) if enabled.
- 58-bit timer for long term measurement
- Capable to exit the ST10 chip from power down mode (if PWDCFG of SYSCON set) after a programmed delay.

The real time clock is base on two main blocks of counters. The first block is a prescaler which generates a basic reference clock (for example a 1 second period). This basic reference clock is coming out of a 20-bit DIVIDER (4-bit MSB RTCDH counter and 16-bit LSB RTCDL counter). This 20-bit counter is driven by an input clock derived from the on-chip high frequency CPU clock, predivided by a 1/64 fixed counter (see Figure 51). This 20-bit counter is loaded at each basic reference clock period with the value of the

20-bit PRESCALER register (4-bit MSB RTCPH register and 16-bit LSB RTCPL register). The value of the 20-bit RTCP register determines the period of the basic reference clock.

A timed interrupt request (RTCSI) may be sent on each basic reference clock period. The second block of the RTC is a 32-bit counter (16-bit RTCH and 16-bit RTCL). This counter may be initialized with the current system time. RTCH/RTCL counter is driven with the basic reference clock signal. In order to provide an alarm function the contents of RTCH/RTCL counter is compared with a 32-bit alarm register (16-bit RTCAH register and 16-bit RTCAL register). The alarm register may be loaded with a reference date. An alarm interrupt request (RTCAI), may be generated when the value of RTCH/RTCL counter matches the reference date of RTCAH/RTCAL register.

The timed RTCSI and the alarm RTCAI interrupt requests can trigger a fast external interrupt via EXISEL register of port 2 and wake-up the ST10 chip when running power down mode. Using the RTCOFF bit of RTCCON register, the user may switch off the clock oscillator when entering the power down mode.

Figure 50 : ESFRs and Port Pins Associated with the RTC

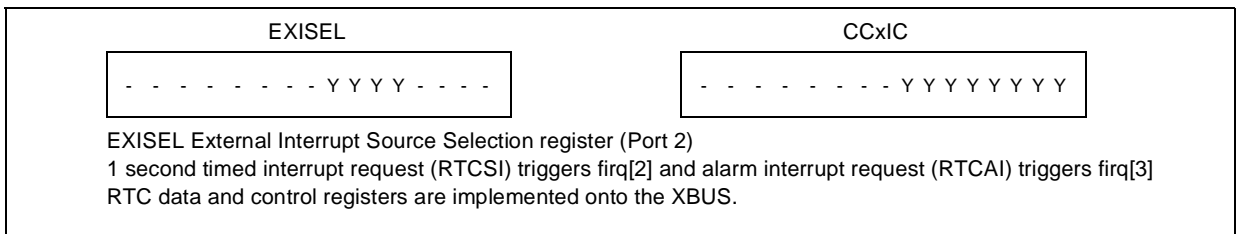
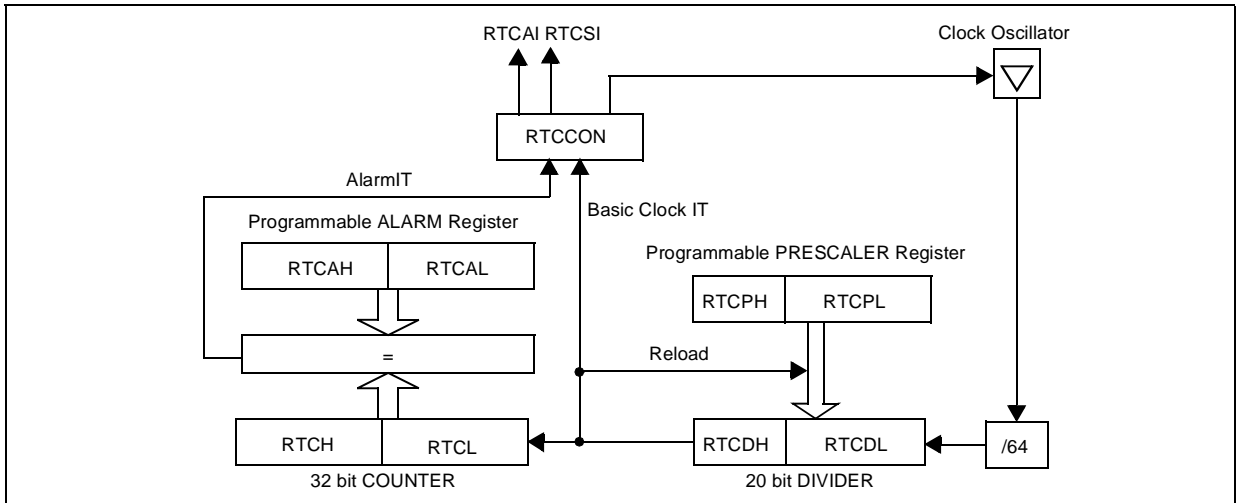


Figure 51 : RTC Block Diagram



16.1 - RTC registers

16.1.1 - RTCCON: RTC Control Register

The functions of the RTC are controlled by the RTCCON control register. If the RTOFF bit is set, the RTC dividers and counters clock is disabled and registers can be written, when the ST10 chip enters power down mode the clock oscillator will

be switch off. The RTC has 2 interrupt sources, one is triggered every basic clock period, the other one is the alarm.

RTCCON includes an interrupt request flag and an interrupt enable bit for each of them. This register is read and written via the XBUS.

RTCCON (EC00h)

XBUS

Reset Value: --00h

| | | | | | | | | | | | | | | | |
|----|----|----|----|----|----|---|---|--------|---|---|---|--------|--------|--------|--------|
| 15 | 14 | 13 | 12 | 11 | 10 | 9 | 8 | 7 | 6 | 5 | 4 | 3 | 2 | 1 | 0 |
| - | - | - | - | - | - | - | - | RTCOFF | - | - | - | RTCAEN | RTCAIR | RTCSEN | RTCSIR |
| | | | | | | | | RW | | | | RW | RW | RW | RW |

| | |
|---------------------|--|
| RTCOFF ² | RTC Switch Off Bit '0': clock oscillator and RTC keep on running even if ST10 in power down mode '1': clock oscillator is switch off if ST10 enters power down mode, RTC dividers and counters are stopped and registers can be written |
| RTCAEN ² | RTC Alarm Interrupt ENable '0': RTCAI is disabled '1': RTCAI is enabled, it is generated every n seconds |
| RTCAIR ¹ | RTC Alarm Interrupt Request flag (when the alarm is triggered) '0': the bit was reseted less than a n seconds ago '1': the interrupt was triggered |
| RTCSEN ² | RTC Second interrupt ENable '0': RTCSI is disabled '1': RTCSI is enabled, it is generated every second |
| RTCSIR ¹ | RTC Second Interrupt Request flag (every second) '0': the bit was reseted less than a second ago '1': the interrupt was triggered |

Notes: 1. As RTCCON register is not bit-addressable, the value of these bits must be read by checking their associated CCxIC register.
The 2 RTC interrupt signals are connected to Port2 in order to trigger an external interrupt that wake up the chip when in power down

mode.

2. All the bit of RTCCON are active high.

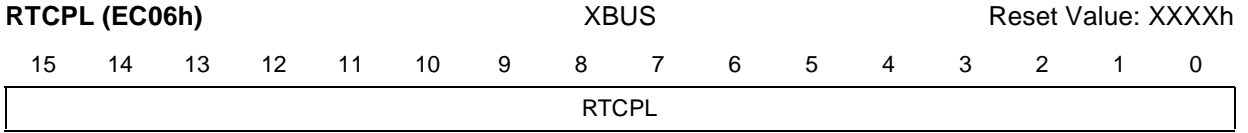
16.1.2 - RTCPH & RTCPL: RTC PRESCALER Registers

The 20-bit programmable prescaler divider is loaded with 2 registers.

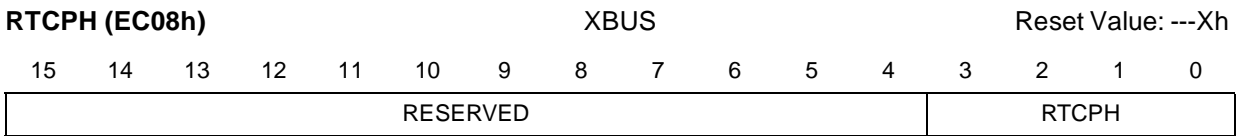
The 4 most significant bit are stored into RTCPH and the 16 Less significant bit are stored in

RTCPL. In order to keep the system clock, those registers are not reset.

They are write protected by bit RTOFF of RTCCON register, write operation is allowed if RTOFF is set.

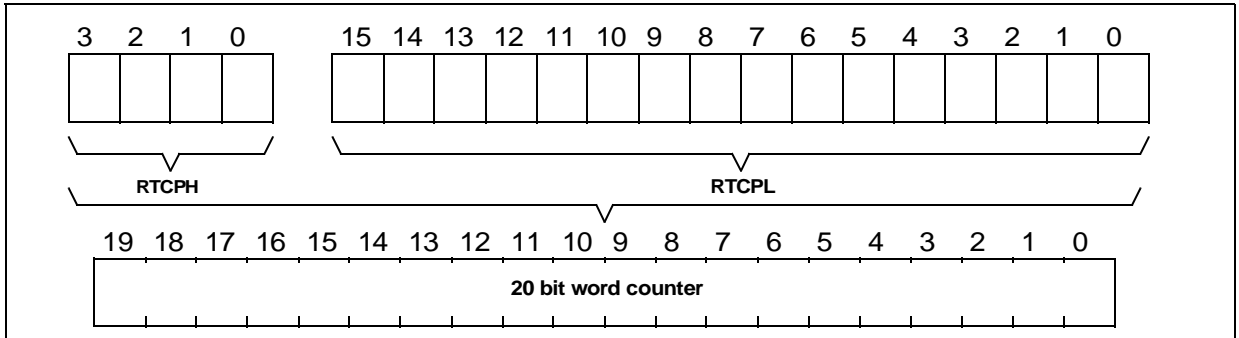


RW



RW

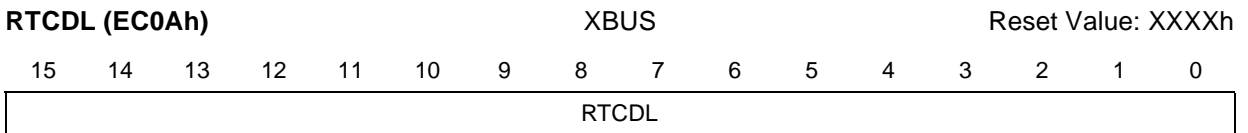
Figure 52 : PRESCALER Register



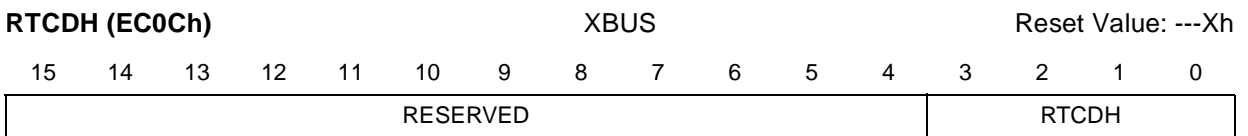
The value stored into RTCPH, RTCPL is called RTCP (coded on 20-bit). The dividing ratio of the Prescaler divider is: ratio = 64 x (RTCP)

16.1.3 - RTCDH & RTCDL: RTC DIVIDER Counters

Every basic reference clock the DIVIDER counters are reloaded with the value stored RTCPH and RTCPL registers. To get an accurate time measurement it is possible to read the value of the DIVIDER, reading the RTCDH, RTCDL. Those counters are read only. After any bit changed in the programmable PRESCALER register, the new value is loaded in the DIVIDER.



R

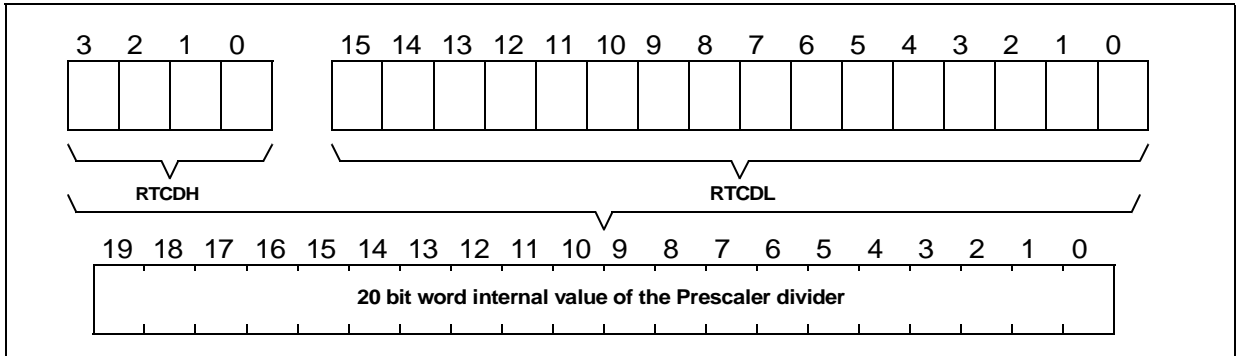


R

Note: Those registers are not reset, and are read only.

When RTCD increments to reach 00000h, The 20-bit word stored into RTCPH, RTCPL registers is loaded in RTCD.

Figure 53 : DIVIDER Counters



Bit 15 to bit 4 of RTCPH and RTCDH are not used. When reading, the return value of those bit will be zeros.

16.1.4 - RTCH & RTCL: RTC Programmable COUNTER Registers

The RTC has 2 x 16-bit programmable counters which count rate is based on the basic time reference (for example 1 second). As the clock oscillator may be kept working, even in power down mode, the RTC counters may be used as a system clock. In addition RTC counters and registers are not modified at any system reset.

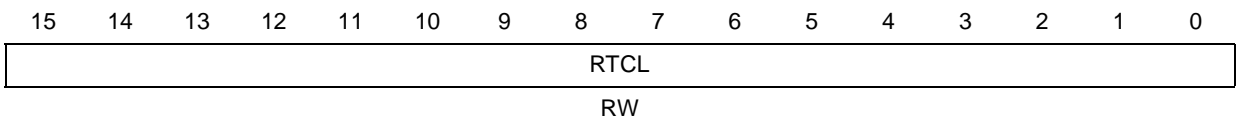
The only way to force their value is to write them via the XBUS.

Those counters are write protected as well. The bit RTOFF of the RTCCON register must be set (RTC dividers and counters are stopped) to enable a write operation on RTCH or RTCL.

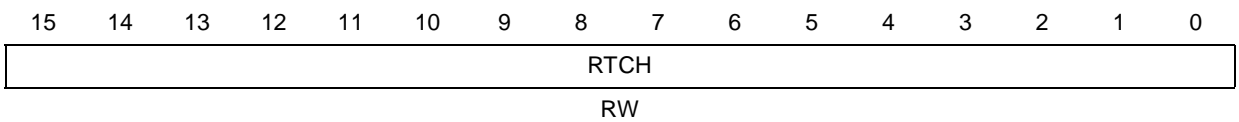
A write operation on RTCH or RTCL register loads directly the corresponding counter. When reading, the current value in the counter (system date) is returned.

The counters keeps on running while the clock oscillator is working.

RTCL (EC0Eh) XBUS Reset Value: XXXXh



RTCH (EC10h) XBUS Reset Value: XXXXh



Note: Those registers are nor reset

16.1.5 - RTCAH & RTCAL: RTC ALARM Registers

When the programmable counters reach the 32-bit value stored into RTCAH & RTCAL registers, an alarm is triggered and the interrupt request RTAIR is generated. Those registers are not protected.

| RTCAL (EC12h) | | | | | | | | | | | | XBUS | | | | Reset Value: XXXXh | | | |
|---------------|----|----|----|----|----|---|---|---|---|---|---|------|---|---|---|--------------------|--|--|--|
| 15 | 14 | 13 | 12 | 11 | 10 | 9 | 8 | 7 | 6 | 5 | 4 | 3 | 2 | 1 | 0 | | | | |
| RTCAL | | | | | | | | | | | | | | | | | | | |
| RW | | | | | | | | | | | | | | | | | | | |

| RTCAH (EC14h) | | | | | | | | | | | | XBUS | | | | Reset Value: XXXXh | | | |
|---------------|----|----|----|----|----|---|---|---|---|---|---|------|---|---|---|--------------------|--|--|--|
| 15 | 14 | 13 | 12 | 11 | 10 | 9 | 8 | 7 | 6 | 5 | 4 | 3 | 2 | 1 | 0 | | | | |
| RTCAH | | | | | | | | | | | | | | | | | | | |
| RW | | | | | | | | | | | | | | | | | | | |

Note: Those registers are not reset

16.2 - Programming the RTC

RTC interrupt request signals are connected to Port2, pad 10 (RTCSI) and pad 11 (RTCAI). An alternate function Port2 is to generate fast interrupts firq[7:0]. To trigger firq[2] and firq[3] the following configuration has to be set.

EXICON ESFR controls the external interrupt edge selection, RTC interrupt requests are rising edge active.

| EXICON (F1C0h) | | | | | | | | | | | | ESFR | | | | Reset Value: 0000h | | | |
|----------------|----|--------|----|--------|----|--------|---|-----------------------|---|-----------------------|---|--------|---|--------|---|--------------------|--|--|--|
| 15 | 14 | 13 | 12 | 11 | 10 | 9 | 8 | 7 | 6 | 5 | 4 | 3 | 2 | 1 | 0 | | | | |
| EXI7ES | | EXI6ES | | EXI5ES | | EXI4ES | | EXI3ES ^{1,2} | | EXI2ES ^{1,3} | | EXI1ES | | EXI0ES | | | | | |
| RW | | RW | | RW | | RW | | RW | | RW | | RW | | RW | | | | | |

Notes: 1. EXI2ES and EXI3ES must be configured as "01b" because RCT interrupt request lines are rising edge active.

2. Alarm interrupt request line (RTCAI) is linked with EXI3ES.

3. Timed interrupt request line (RTCSI) is linked with EXI2ES.

EXISEL ESFR enables the Port2 alternate sources. RTC interrupts are alternate sources 2 and 3.

| EXISEL (F1DAh) | | | | | | | | | | | | ESFR | | | | Reset Value: 0000h | | | |
|----------------|----|--------|----|--------|----|--------|---|---------------------|---|---------------------|---|--------|---|--------|---|--------------------|--|--|--|
| 15 | 14 | 13 | 12 | 11 | 10 | 9 | 8 | 7 | 6 | 5 | 4 | 3 | 2 | 1 | 0 | | | | |
| EXI7SS | | EXI6SS | | EXI5SS | | EXI4SS | | EXI3SS ² | | EXI2SS ³ | | EXI1SS | | EXI0SS | | | | | |
| RW | | RW | | RW | | RW | | RW | | RW | | RW | | RW | | | | | |

| EXIxSS | External Interrupt x Source Selection (x=7...0) |
|--------|--|
| | '00': Input from associated Port 2 pin. |
| | '01': Input from "alternate source". ¹ |
| | '10': Input from Port 2 pin ORed with "alternate source". ¹ |
| | '11': Input from Port 2 pin ANDed with "alternate source". |

Notes: 1. Advised configuration.

2. Alarm interrupt request (RTCAI) is linked with EXI3SS.

3. Timed interrupt request (RTCSI) is linked with EXI2SS.

Interrupt control registers are common with CAPCOM1 Unit: CC10IC (RTCSI) and CC11IC (RTCAI).

| CCxIC | | | | | | | | SFR | | | | Reset Value: --00h | | | |
|-------|----|----|----|----|----|---|---|-------|-------|------|---|--------------------|------|---|---|
| 15 | 14 | 13 | 12 | 11 | 10 | 9 | 8 | 7 | 6 | 5 | 4 | 3 | 2 | 1 | 0 |
| - | - | - | - | - | - | - | - | CCxIR | CCxIE | ILVL | | | GLVL | | |
| | | | | | | | | RW | RW | RW | | | RW | | |

CC10IC: FF8Ch/C6h

CC11IC: FF8Eh/C7h

| Source of interrupt | Request Flag | Enable Flag | Interrupt Vector | Vector Location | Trap Number |
|----------------------|--------------|-------------|------------------|-----------------|-------------|
| External interrupt 2 | CC10IR | CC10IE | CC10INT | 00'0068h | 1Ah/26 |
| External interrupt 3 | CC11IR | CC11IE | CC11INT | 00'006Ch | 1Bh/27 |

17 - WATCHDOG TIMER

The Watchdog Timer is a fail-safe mechanism which prevents the microcontroller from malfunctioning for long periods of time.

The Watchdog Timer is always enabled after a reset of the chip and can only be disabled in the time interval until the EINIT (end of initialization) instruction has been executed.

Therefore, the chip start-up procedure is always monitored. The software must be designed to service the watchdog timer before it overflows. If,

due to hardware or software related failures, the software fails to do so, the watchdog timer overflows and generates an internal hardware reset. It pulls the RSTOUT pin low in order to allow external hardware components to be reset.

Each of the different reset sources is indicated in the WDTCON register.

The indicated bits are cleared with the EINIT instruction. The origin of the reset can be identified during the initialization phase.

WDTCON (FFAEh / D7h)

SFR

Reset Value: 00xxh

| | | | | | | | | | | | | | | | |
|--------|----|----|----|----|----|---|---|---|---|------|------|------|-----|------|-------|
| 15 | 14 | 13 | 12 | 11 | 10 | 9 | 8 | 7 | 6 | 5 | 4 | 3 | 2 | 1 | 0 |
| WDTREL | | | | | | | | - | - | PONR | LHWR | SHWR | SWR | WDTR | WDTIN |
| RW | | | | | | | | | | HR | HR | HR | HR | HR | RW |

| | |
|-----------------------|---|
| WDTIN | Watchdog Timer Input Frequency Selection '0': Input Frequency is $f_{CPU}/2$. '1': Input Frequency is $f_{CPU}/128$. |
| WDTR ¹⁻³ | Watchdog Timer Reset Indication Flag Set by the watchdog timer on an overflow. Cleared by a hardware reset or by the SRVWDT instruction. |
| SWR ¹⁻³ | Software Reset Indication Flag Set by the SRST execution. Cleared by the EINIT instruction. |
| SHWR ¹⁻³ | Short Hardware Reset Indication Flag Set by the input \overline{RSTIN} . Cleared by the EINIT instruction. |
| LHWR ¹⁻³ | Long Hardware Reset Indication Flag Set by the input \overline{RSTIN} . Cleared by the EINIT instruction. |
| PONR ¹⁻²⁻³ | Power-On (Asynchronous) Reset Indication Flag Set by the input \overline{RSTIN} if a power-on condition has been detected. Cleared by the EINIT instruction. |

Notes: 1. More than one reset indication flag may be set. After EINIT, all flags are cleared.

2. Power-on is detected when a rising edge from $V_{DD} = 0\text{ V}$ to $V_{DD} > 2.0\text{ V}$ is recognized on the internal 3.3V supply.

3. These bits cannot be directly modified by software.

The PONR flag of WDTCON register is set if the output voltage of the internal 3.3V supply falls below the threshold (typically 2V) of the power-on detection circuit. This circuit is efficient to detect major failures of the external 5V supply but if the internal 3.3V supply does not drop under 2 volts, the PONR flag is not set. This could be the case on fast switch-off / switch-on of the 5V supply. The time needed for such a sequence to activate the PONR flag depends on the value of the capacitors connected to the supply and on the exact value of the internal threshold of the detection circuit.

Table 34 : WDTCON Bit Value on Different Resets

| Reset Source | PONR | LHWR | SHWR | SWR | WDTR |
|---------------------------------------|-------|------|------|-----|------|
| Power On Reset | X | X | X | X | |
| Power on after partial supply failure | 1) 2) | X | X | X | |
| Long Hardware Reset | | X | X | X | |
| Short Hardware Reset | | | X | X | |
| Software Reset | | | | X | |
| Watchdog Reset | | | | X | X |

Notes: 1. PONR bit may not be set for short supply failure.

2. For power-on reset and reset after supply partial failure, asynchronous reset must be used.

In case of bi-directional reset is enabled, and if the $\overline{\text{RSTIN}}$ pin is latched low after the end of the internal reset sequence, then a Short hardware reset, a software reset or a watchdog reset will trigger a Long hardware reset. Thus, Reset Indications flags will be set to indicate a Long Hardware Reset.

The Watchdog Timer is 16-bit, clocked with the system clock divided by 2 or 128. The high Byte of the watchdog timer register can be set to a pre-specified reload value (stored in WDTREL).

Each time it is serviced by the application software, the high byte of the watchdog timer is reloaded. For security, rewrite WDTCON each time before the watchdog timer is serviced

Table 35 shows the watchdog time range for 40MHz CPU clock and Table 36 shows the watchdog time range for 32MHz CPU clock.

Table 35 : WDTREL Reload Value (PQFP144 devices)

| Reload value in WDTREL | Prescaler for $f_{\text{CPU}} = 40\text{MHz}$ | |
|------------------------|---|-------------------|
| | 2 (WDTIN = '0') | 128 (WDTIN = '1') |
| FFh | 12.8 μs | 819.2ms |
| 00h | 3.276ms | 209.7ms |

Table 36 : WDTREL Reload Value (TQFP144 devices)

| Reload value in WDTREL | Prescaler for $f_{\text{CPU}} = 32\text{MHz}$ | |
|------------------------|---|-------------------|
| | 2 (WDTIN = '0') | 128 (WDTIN = '1') |
| FFh | 16.0 μs | 1.024ms |
| 00h | 4.096ms | 262.1ms |

The watchdog timer period is calculated with the following formula:

$$P_{\text{WDT}} = \frac{1}{f_{\text{CPU}}} \times 512 \times (1 + [\text{WDTIN}] \times 63) \times (256 - [\text{WDTREL}])$$

18 - SYSTEM RESET

System reset initializes the MCU in a predefined state. There are five ways to activate a reset state.

The system start-up configuration is different for each case as shown in Table 37.

Table 37 : Reset Event Definition

| Reset Source | Short-cut | Conditions |
|--|-----------|--|
| Power-on reset | PONR | Power-on |
| Long Hardware reset (synchronous & asynchronous) | LHWR | $t_{\overline{RSTIN}} > 1040 \text{ TCL}$ |
| Short Hardware reset (synchronous reset) | SHWR | $4 \text{ TCL} < t_{\overline{RSTIN}} \leq 1038 \text{ TCL}$ |
| Watchdog Timer reset | WDTR | WDT overflow |
| Software reset | SWR | SRST execution |

18.1 - Long Hardware Reset

The reset is triggered when \overline{RSTIN} pin is pulled low, then the MCU is immediately forced in reset default state. It pulls low \overline{RSTOUT} pin, it cancels pending internal hold states if any, it aborts external bus cycle, it switches buses (data, address and control signals) and I/O pin drivers to high-impedance, it pulls high PORT0 pins and the reset sequence starts.

To get a **long hardware reset**, the duration of the external \overline{RSTIN} signal must be longer than **1040 TCL**. The level of RPD pin is sampled during the whole \overline{RSTIN} pulse duration. A **low level on RPD**

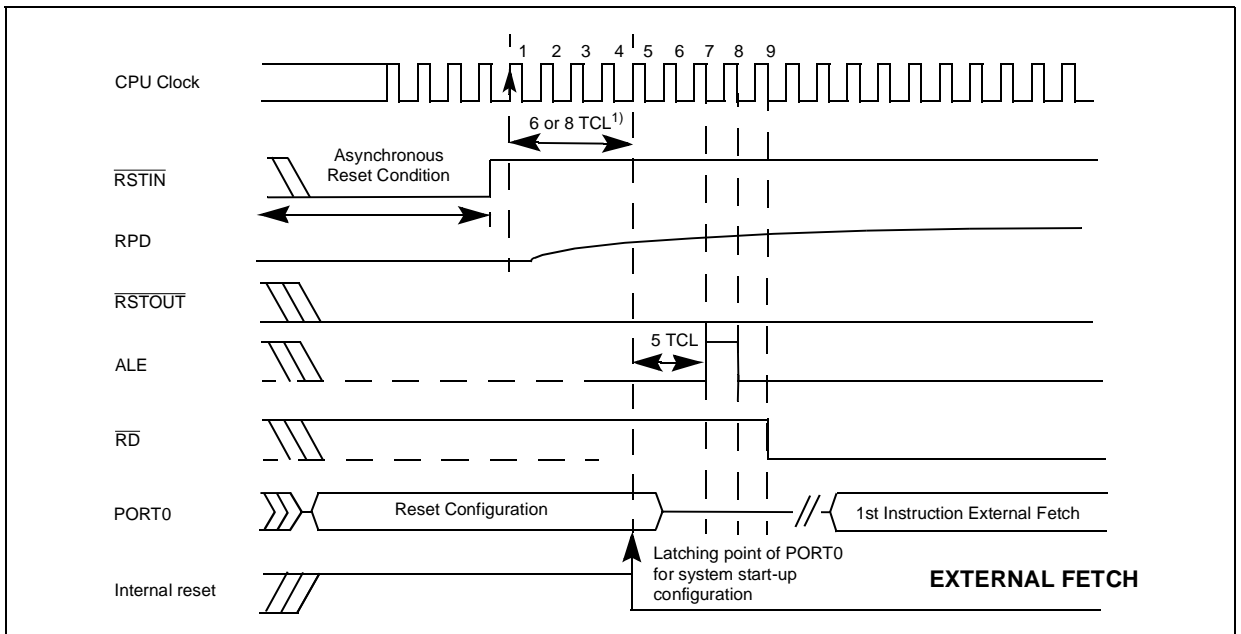
pin determines an **asynchronous reset** while a **high level** leads to a **synchronous reset**.

Note A reset can be entered as synchronous and exit as asynchronous if V_{RPD} voltage drops below the RPD pin threshold (typically 2.5V for $V_{DD} = 5V$) when \overline{RSTIN} pin is low or when \overline{RSTIN} pin is internally pulled low.

18.1.1 - Asynchronous Reset

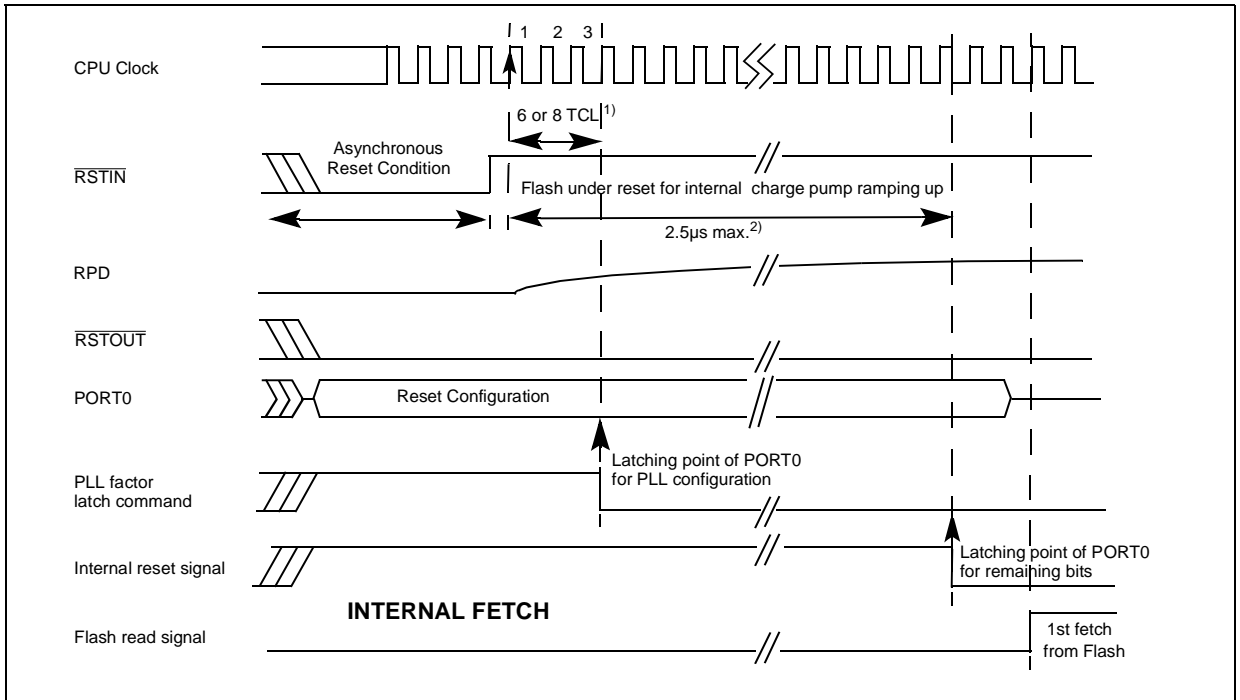
Figure 54 and Figure 55 show **asynchronous reset condition (RPD pin is at low level)**.

Figure 54 : Asynchronous Reset Sequence External Fetch



Note: 1) \overline{RSTIN} rising edge to internal latch of PORT0 is 3 CPU clock cycles (6 TCL) if the PLL is bypassed and the prescaler is on ($f_{CPU} = f_{XTAL} / 2$), else it is 4 CPU clock cycles (8 TCL).

Figure 55 : Asynchronous Reset Sequence Internal Fetch



Note: 1) \overline{RSTIN} rising edge to internal latch of PORT0 is 3 CPU clock cycles (6 TCL) if the PLL is bypassed and the prescaler is on ($f_{CPU} = f_{XTAL} / 2$), else it is 4 CPU clock cycles (8 TCL).

2) 2.1µs typical value.

Power-on reset

The asynchronous reset must be used during the power-on of the MCU. Depending on the crystal frequency, the on-chip oscillator needs about 10ms to 50ms to stabilize. The logic of the MCU does not need a stabilized clock signal to detect an asynchronous reset, so it is suitable for power-on conditions. To ensure a proper reset sequence, the **RSTIN pin and the RPD pin must be held at low level** until the MCU clock signal is stabilized and the system configuration value on PORT0 is settled.

Hardware reset

The asynchronous reset must be used to recover from catastrophic situations of the application. It may be triggered by the **hardware of the application**. Internal hardware logic and application circuitry are described in Section 18.6 - and Figure 58, Figure 59 and Figure 60.

18.1.2 - Synchronous Reset (\overline{RSTIN} pulse > 1040TCL and RPD pin at high level)

The synchronous reset is a warm reset. It may be generated synchronously to the CPU clock. To be detected by the reset logic, the \overline{RSTIN} pulse must be low at least for 4 TCL (2 periods of CPU clock).

Then the I/O pins are set to high impedance and \overline{RSTOUT} pin is driven low. After the \overline{RSTIN} level is detected, a short duration of 12 TCL (6 CPU clocks) maximum elapses, during which pending internal hold states are cancelled and the current internal access cycle, if any, is completed. External bus cycle is aborted.

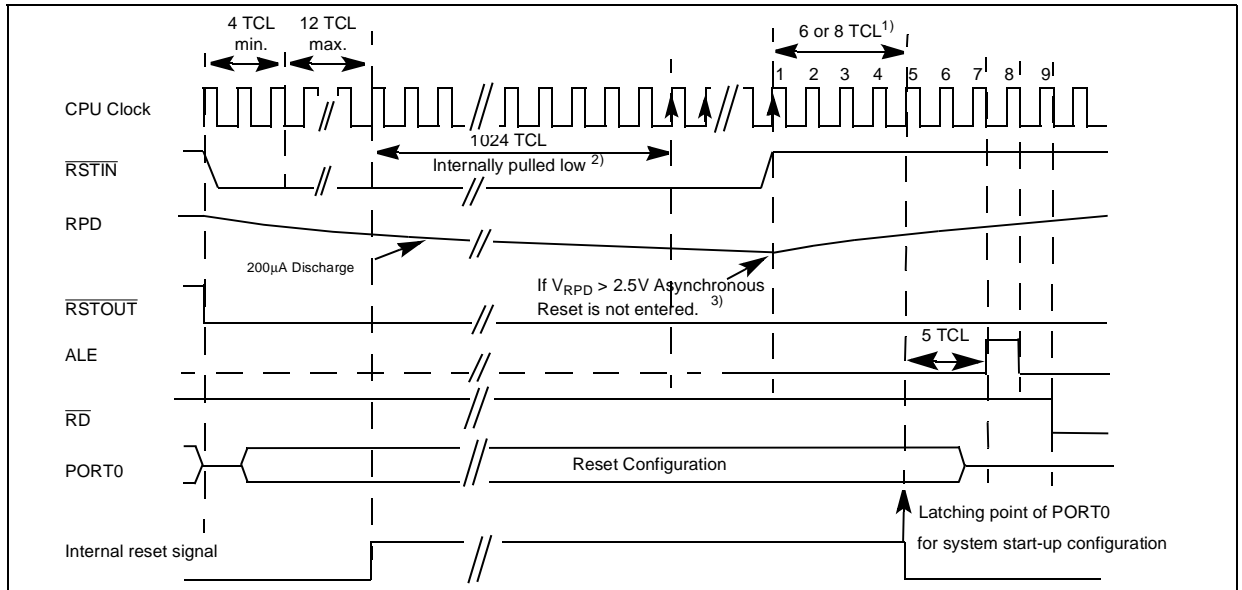
The internal pull-down of \overline{RSTIN} pin is activated if bit BDRSTEN of SYSCON register was previously set by software. This bit is always cleared on power-on or after any reset sequence.

The internal sequence lasts for 1024 TCL (512 periods of CPU clock). After this duration the pull-down of \overline{RSTIN} pin for the bidirectional reset function is released and the \overline{RSTIN} pin level is sampled. At this step the sequence lasts **1040 TCL** (4 TCL + 12 TCL + 1024 TCL). If the \overline{RSTIN} pin level is low, the reset sequence is extended until \overline{RSTIN} level becomes high. Refer to Figure 56

Note If V_{RPD} voltage drops below the RPD pin threshold (typically 2.5V for $V_{DD} = 5V$) when \overline{RSTIN} pin is low or when \overline{RSTIN} pin is internally pulled low, the ST10 reset circuitry disables the bidirectional reset function and \overline{RSTIN} pin is no more pulled

low. The reset is processed as an asynchronous reset.

Figure 56 : Synchronous Reset Sequence External Fetch ($\overline{\text{RSTIN}}$ pulse > 1040 TCL)



- Note 1) $\overline{\text{RSTIN}}$ rising edge to internal latch of PORT0 is 3 CPU clock cycles (6 TCL) if the PLL is bypassed and the prescaler is on ($f_{\text{CPU}} = f_{\text{XTAL}} / 2$), else it is 4 CPU clock cycles (8 TCL).
- 2) $\overline{\text{RSTIN}}$ pin is pulled low if bit BDRSTEN (bit 3 of SYSCON register) was previously set by software. Bit BDRSTEN is cleared after reset.
- 3) If during the reset condition ($\overline{\text{RSTIN}}$ low), V_{RPD} voltage drops below the threshold voltage (typically 2.5V for 5V operation), the ST10 reset circuitry disables the bidirectional reset function and $\overline{\text{RSTIN}}$ pin is no more pulled low.

18.1.3 - Exit of Long Hardware Reset

- If the RPD pin level is low when the $\overline{\text{RSTIN}}$ pin is sampled high, the MCU completes an asynchronous reset sequence.

- If the RPD pin level is high when the $\overline{\text{RSTIN}}$ pin is sampled high, the MCU completes a synchronous reset sequence.

The system configuration is latched from PORT0 after a duration of 8 TCL / 4 CPU clocks (6 TCL / 3 CPU clocks if PLL is bypassed) and in case of external fetch, ALE , $\overline{\text{RD}}$ and $\overline{\text{R/W}}$ pins are driven to their inactive level. The MCU starts program execution from memory location 00'0000h in code segment 0. This starting location will typically point to the general initialization routine. Refer to Table 38 for PORT0 latched configuration.

18.2 - Short Hardware Reset

A short hardware reset is a warm reset. It may be generated synchronously to the CPU clock (synchronous reset).

The short hardware is triggered when $\overline{\text{RSTIN}}$ signal duration is shorter or equal to 1038 TCL, the RPD pin must be pulled high.

To properly activate the internal reset logic of the MCU, the $\overline{\text{RSTIN}}$ pin must be held low, at least, during 4 TCL (2 periods of CPU clock). The I/O pins are set to high impedance and $\overline{\text{RSTOUT}}$ pin is driven low. After $\overline{\text{RSTIN}}$ level is detected, a short duration of 12 TCL (6 CPU clocks) maximum elapses, during which pending internal hold states are cancelled and the current internal access cycle if any is completed. External bus cycle is aborted. The internal pull-down of $\overline{\text{RSTIN}}$ pin is activated if bit BDRSTEN of SYSCON register was previously set by software. This bit is always cleared on power-on or after any reset sequence. The internal reset sequence starts for 1024 TCL (512 periods of CPU clock).

After that duration the pull-down of $\overline{\text{RSTIN}}$ pin for the bidirectional reset function is released and the $\overline{\text{RSTIN}}$ pin level is sampled high while RPD level is high.

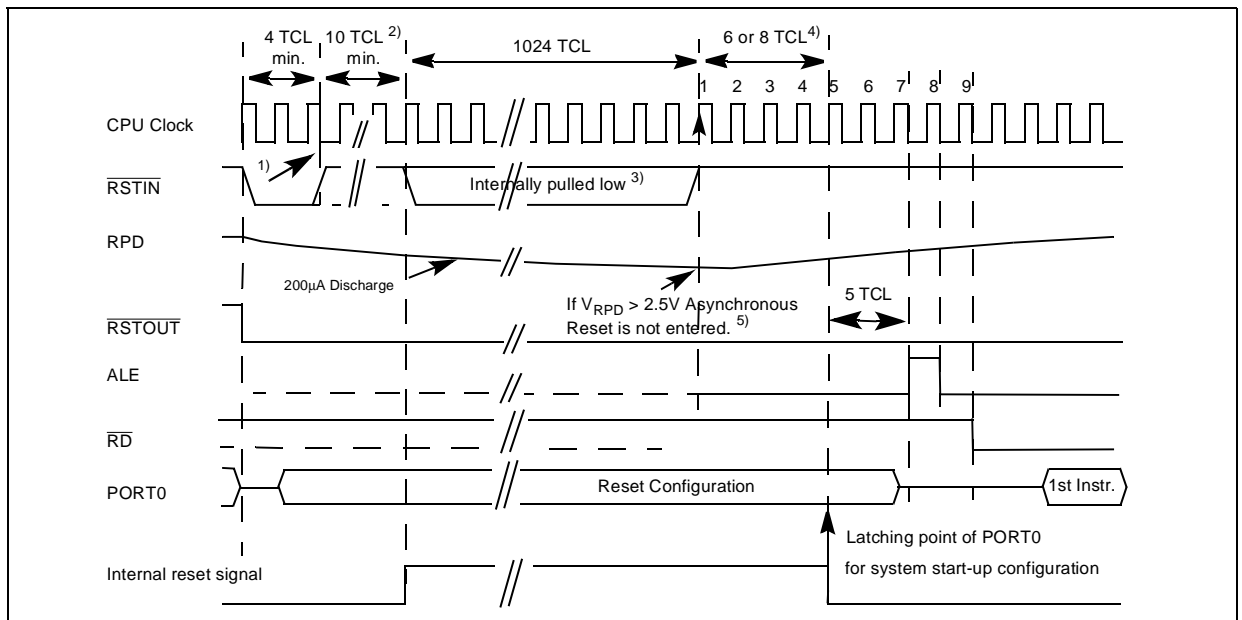
The short hardware reset ends and the MCU restarts. To be processed as a short hardware reset, the external $\overline{\text{RSTIN}}$ signal must last a

maximum of 1038 TCL (4 TCL + 10 TCL + 1024 TCL). The system configuration is latched from PORT0 after a duration of 8 TCL / 4 CPU clocks (6 TCL / 3 CPU clocks if PLL is bypassed) and in case of external fetch, ALE, RD and R/W pins are driven to their inactive level. Program execution starts from memory location 00'0000h in code segment 0. This starting location will typically point to the general initialization routine. Timings of synchronous reset sequence are summarized in Figure 57. Refer to Table 38 for PORT0 latched configuration.

Note - If the \overline{RSTIN} pin level is sampled low, the reset sequence is extended until \overline{RSTIN} level becomes high leading to a long hardware reset (synchronous or asynchronous reset) because \overline{RSTIN} signal duration has lasted longer than 1040TCL.

- If the V_{RPD} voltage has dropped below the RPD pin threshold, the reset is processed as an asynchronous reset.

Figure 57 : Synchronous Warm Reset Sequence External Fetch (4 TCL < \overline{RSTIN} pulse < 1038 TCL)



Note 1) \overline{RSTIN} assertion can be released there.

2) Maximum internal synchronization is 6 CPU cycles (12 TCL).

3) \overline{RSTIN} pin is pulled low if bit BDRSTEN (bit 3 of SYSCON register) was previously set by software. Bit BDRSTEN is cleared after reset.

4) \overline{RSTIN} rising edge to internal latch of PORT0 is 3 CPU clock cycles (6 TCL) if the PLL is bypassed and the prescaler is on ($f_{CPU} = f_{XTAL} / 2$), else it is 4 CPU clock cycles (8 TCL).

5) If during the reset condition (\overline{RSTIN} low), V_{RPD} voltage drops below the threshold voltage (typically 2.5V for 5V operation), the ST10 reset circuitry disables the bidirectional reset function and \overline{RSTIN} pin is no more pulled low.

18.3 - Software Reset

The reset sequence can be triggered at any time using the protected instruction SRST (software reset). This instruction can be executed deliberately within a program, for example to leave bootstrap loader mode, or upon a hardware trap that reveals a system failure.

Upon execution of the SRST instruction, the internal reset sequence (1024 TCL) is started. The microcontroller behavior is the same as for a **short hardware** reset, except that only P0.12...P0.6 bits are latched at the end of the

reset sequence, while previously latched values of P0.5...P0.2 are cleared.

18.4 - Watchdog Timer Reset

When the watchdog timer is not disabled during the initialization or when it is not regularly serviced during program execution it will overflow and it will trigger the reset sequence.

Unlike hardware and software resets, the watchdog reset completes a running external bus cycle if this bus cycle either does not use \overline{READY} , or if \overline{READY} is sampled active (low) after the

programmed wait states. When $\overline{\text{READY}}$ is sampled inactive (high) after the programmed wait states the running external bus cycle is aborted. Then the internal reset sequence (1024 TCL) is started. The microcontroller behaviour is the same as for a **short hardware** reset, except that only P0.12...P0.6 bits are latched, while previously latched values of P0.5...P0.2 are cleared.

18.5 - $\overline{\text{RSTOUT}}$, $\overline{\text{RSTIN}}$, Bidirectional Reset

18.5.1 - $\overline{\text{RSTOUT}}$ Pin

The $\overline{\text{RSTOUT}}$ pin is driven active (low level) at the beginning of any reset sequence (synchronous/asynchronous hardware, software and watchdog timer resets). $\overline{\text{RSTOUT}}$ pin stays active low beyond the end of the initialization routine, until the protected EINIT instruction (End of Initialization) is completed.

18.5.2 - Bidirectional Reset

The bidirectional reset function is enabled by setting SYSCON.BDRSTEN (bit 3). This function is disabled by any reset sequence which always clears the SYSCON.BDRSTEN bit.

It can only be enabled during the initialization routine, before EINIT instruction is completed.

If V_{RPD} voltage drops below the RPD pin threshold (typically 2.5V for $V_{\text{DD}} = 5\text{V}$) when $\overline{\text{RSTIN}}$ pin is low or when $\overline{\text{RSTIN}}$ pin is internally pulled low, the ST10 reset circuitry disables the bidirectional reset function and $\overline{\text{RSTIN}}$ pin is no more pulled low. The reset is processed as an asynchronous reset.

The bidirectional reset function is useful for external peripherals with on-chip memory because the reset signal output on $\overline{\text{RSTIN}}$ pin is de-activated before the CPU starts its first instruction fetch.

18.5.3 - $\overline{\text{RSTIN}}$ pin

When the bidirectional reset function is enabled, the open-drain of the $\overline{\text{RSTIN}}$ pin is activated, pulling down the reset signal, for the duration of the internal reset sequence. See Figure 56 and Figure 57. At the end of the sequence the pull-down is released and the $\overline{\text{RSTIN}}$ pin gets back its input function.

The bidirectional reset function can be used:

- to convert SW or WD resets to a hardware reset so that the configuration can be (re-)latched from PORT0.

- to make visible SW or WDT resets at $\overline{\text{RSTIN}}$ pin whenever $\overline{\text{RSTIN}}$ is the only reset signal used by the application ($\overline{\text{RSTOUT}}$ not used).
- to get a die-activated reset signal before CPU starts its first instruction fetch.

The configuration latched from PORT0 is determined by the kind of reset generated by the application. (Refer to Table 38).

Converting a SW or WDT reset to a hardware reset allows the PLL to re-lock or the PLL configuration to be re-latched, provided a SW or WDT reset is generated by the application program in case of PLL unlock or input clock fail.

18.6 - Reset Circuitry

The internal reset circuitry is described in Figure 58.

An internal pull-up resistor is implemented on $\overline{\text{RSTIN}}$ pin. (50k Ω minimum, to 250k Ω maximum). The minimum reset time must be calculated using the lowest value. In addition, a programmable pull-down (SYSCON.BDRSTEN bit 3) drives the $\overline{\text{RSTIN}}$ pin according to the internal reset state. The $\overline{\text{RSTOUT}}$ pin provides a signals to the application. (Refer to Section 18.5 -).

A weak internal pull-down is connected to the RPD pin to discharge external capacitor to V_{SS} at a rate of 100 μA to 200 μA . This Pull-down is turned on when $\overline{\text{RSTIN}}$ pin is low

If bit PWDCFG of SYSCON register is set, an internal pull-up resistor is activated at the end of the reset sequence. This pull-up charges the capacitor connected to RPD pin.

If the bidirectional reset function is not used, the simplest way to reset ST10F269 is to connect external components as shown in Figure 59. It works with reset from application (hardware or manual) and with power-on. The value of C1 capacitor, connected on $\overline{\text{RSTIN}}$ pin with internal pull-up resistor (50k Ω to 250k Ω), must lead to a charging time long enough to let the internal or external oscillator and / or the on-chip PLL to stabilize.

The R0-C0 components on RPD pin are mainly implemented to provide a time delay to exit Power down mode (see Chapter: *Power Reduction Modes* on page 122). Nevertheless, they drive RPD pin level during resets and they lead to different reset modes as explained hereafter. On power-on, C0 is total discharged, a low level on RPD pin forces an asynchronous hardware reset. C0 capacitor starts to charge through R0 and at the end of reset sequence ST10F269 restarts. RPD pin threshold is typically 2.5V.

Depending on the delay of the next applied reset, the MCU can enter a synchronous reset or an asynchronous reset. If RPD pin is below 2.5V an asynchronous reset starts, if RPD pin is above 2.5V a synchronous reset starts. (See Section 18.1 - and Section 18.2 -).

Note that an internal pull-down is connected to RPD pin and can drive a 100 μ A to 200 μ A current. This Pull-down is turned on when RSTIN pin is low.

To properly use the bidirectional reset features, the schematic (or equivalent) of Figure 60 must be implemented. R1-C1 only work for power-on or manual reset in the same way as explained previously. D1 diode brings a faster discharge of

C1 capacitor at power-off during repetitive switch-on / switch-off sequences. D2 diode performs an OR-wired connection, it can be replaced with an open drain buffer. R2 resistor may be added to increase the pull-up current to the open drain in order to get a faster rise time on RSTIN pin when bidirectional function is activated.

The start-up configurations and some system features are selected on reset sequences as described in Table 38 and Table 39.

Table 38 describes what is the system configuration latched on PORT0 in the five different reset ways. Table 39 summarizes the state of bits of PORT0 latched in RPOH, SYSCON, BUSCON0 registers.

Figure 58 : Internal (simplified) Reset Circuitry.

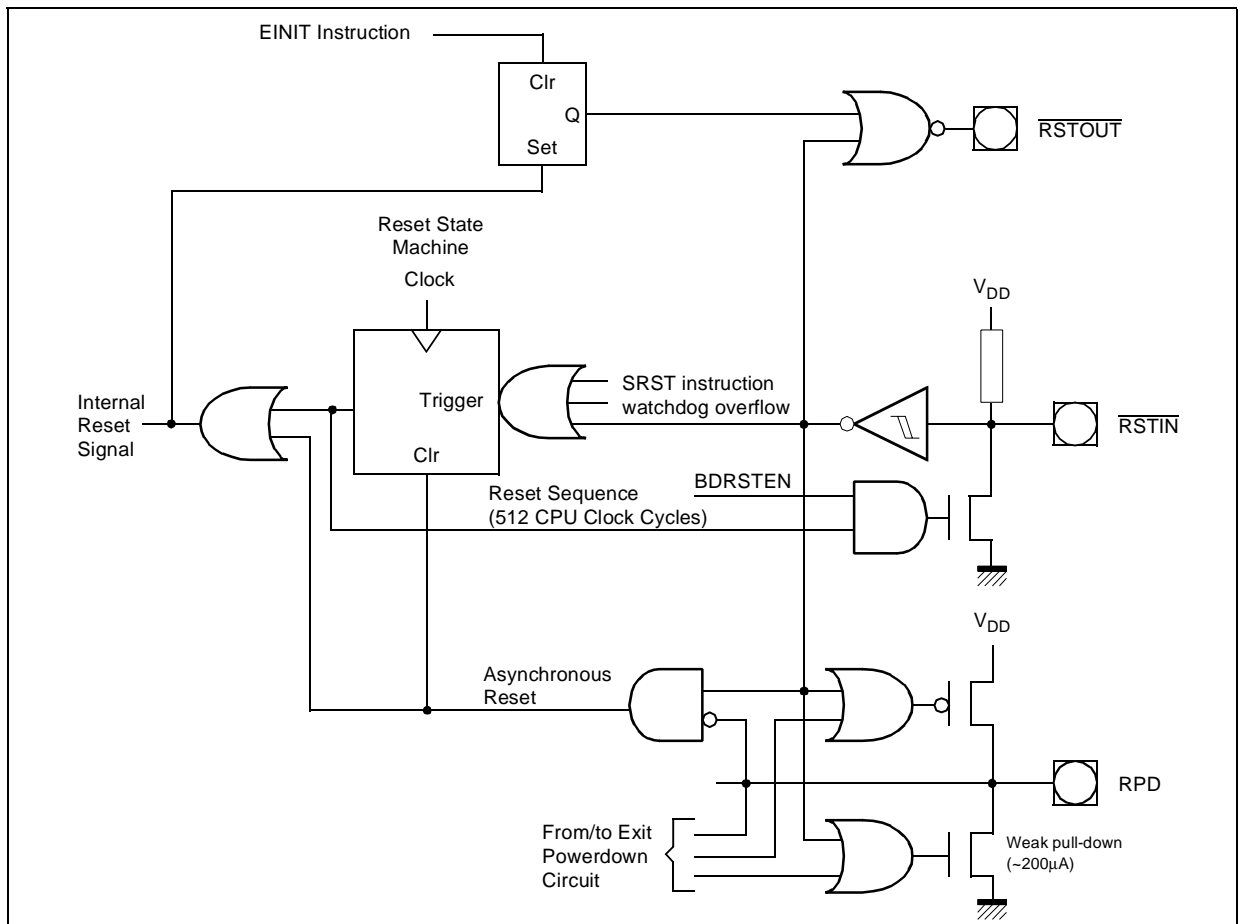


Figure 59 : Minimum External Reset Circuitry

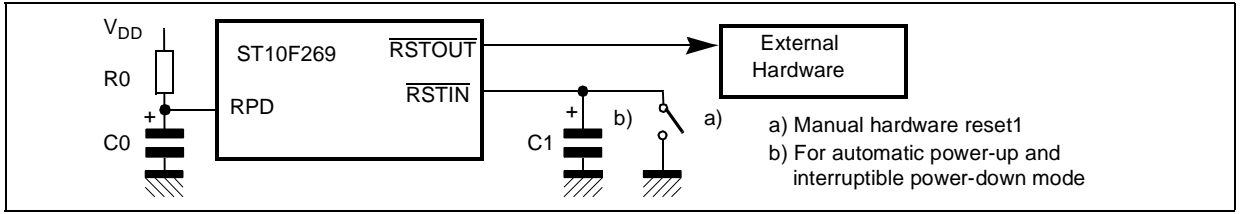


Figure 60 : External Reset Hardware Circuitry

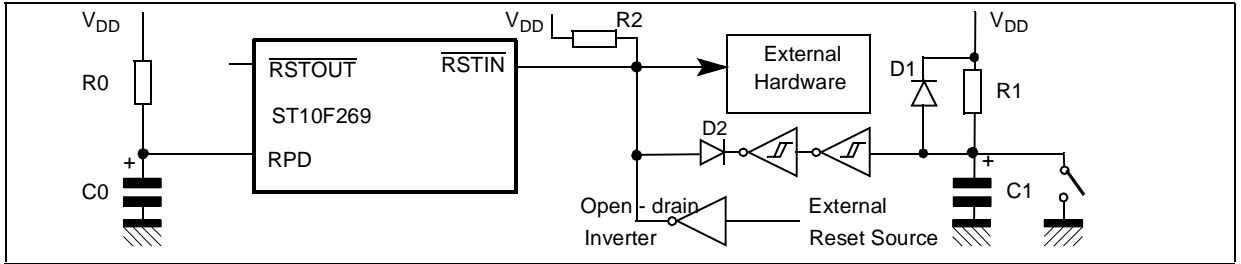


Table 38 : PORT0 Latched Configuration for the Different Resets

| Sample event | PORT0 | | | | | | | | | | | | | | | |
|----------------------|---------------|-------|-------|------------------|-------|--------------|-------|-------------|----------|-------|----------|-------|----------|----------|------------|----------|
| | Clock Options | | | Seem. Add. Lines | | Chip Selects | | WR confide. | Bus Type | | Reserved | BSL | Reserved | Reserved | Adapt Mode | Emu Mode |
| | P0H.7 | P0H.6 | P0H.5 | P0H.4 | P0H.3 | P0H.2 | P0H.1 | P0H.0 | P0L.7 | P0L.6 | P0L.5 | P0L.4 | P0L.3 | P0L.2 | P0L.1 | P0L.0 |
| Software Reset | - | - | - | X | X | X | X | X | X | X | - | - | - | - | - | - |
| Watchdog Reset | - | - | - | X | X | X | X | X | X | X | - | - | - | - | - | - |
| Short Hardware Reset | - | - | - | X | X | X | X | X | X | X | X | X | X | X | X | X |
| Long Hardware Reset | X | X | X | X | X | X | X | X | X | X | X | X | X | X | X | X |
| Power-On Reset | X | X | X | X | X | X | X | X | X | X | X | X | X | X | X | X |

Table 39 : PORT0 Bits Latched into the Different Registers After Reset

| PORT0 bit Nebr. | h7 | h6 | h5 | h4 | h3 | h2 | h1 | h0 | l7 | l6 | l5 | l4 | l3 | l2 | l1 | l0 |
|-------------------|--------------------|----------------|----------------|-----------------|----------------|----------------------|----------------------|----------------|--------------------|----------------|----------------|----------------|----------------|----------------|----------------|----------------|
| PORT0 bit Name | CLKCFG | CLKCFG | CLKCFG | SALSEL | SALSEL | CSSEL | CSSEL | WRC | BUSTYP | BUSTYP | R | BSL | R | R | ADP | EMU |
| RP0H ² | X ¹ | X ¹ | X ¹ | X ¹ | X ¹ | X ¹ | X ¹ | X ¹ | CLKCFG | CLKCFG | CLKCFG | SALSEL | SALSEL | CSSEL | CSSEL | WRC |
| SYSCON | X ¹ | X ¹ | X ¹ | X ¹ | X ¹ | X ¹ | BYTDIS ³ | X ¹ | WRCFG ³ | X ¹ | X ¹ | X ¹ | X ¹ | X ¹ | X ¹ | X ¹ |
| BUSCON0 | X ¹ | X ¹ | X ¹ | X ¹ | - | BUSACT0 ⁴ | ALECTL0 ⁴ | - | BTYP | BTYP | X ¹ | X ¹ | X ¹ | X ¹ | X ¹ | X ¹ |
| Internal Logic | To Clock Generator | | | To Port 4 Logic | | To Port 6 Logic | | X ¹ | X ¹ | X ¹ | X ¹ | Internal | X ¹ | X ¹ | Internal | Internal |

Notes: 1. Not latched from PORT0.

2. Only RP0H low byte is used and the bit-fields are latched from PORT0 high byte to RP0H low byte.

3. Indirectly depend on *PORT0*.
4. Bits set if *EA* pin is 1.

19 - POWER REDUCTION MODES

Two different power reduction modes with different levels of power reduction have been implemented in the ST10F269. In Idle mode only CPU is stopped, while peripheral still operate. In Power Down mode both CPU and peripherals are stopped.

Both mode are software activated by a protected instruction and are terminated in different ways as described in the following sections.

Note: All external bus actions are completed before Idle or Power Down mode is entered. However, Idle or Power Down mode is not entered if READY is enabled, but has not been activated (driven low for negative polarity, or driven high for positive polarity) during the last bus access.

19.1 - Idle Mode

Idle mode is entered by running IDLE protected instruction. The CPU operation is stopped and the peripherals still run.

Idle mode is terminate by any interrupt request. Whatever the interrupt is serviced or not, the instruction following the IDLE instruction will be executed after return from interrupt (RETI) instruction, then the CPU resumes the normal program.

Note that a PEC transfer keep the CPU in Idle mode. If the PEC transfer does not succeed, the Idle mode is terminated. Watchdog timer must be properly programmed to avoid any disturbance during Idle mode.

19.2 - Power Down Mode

Power Down mode starts by running PWRDN protected instruction. Internal clock is stopped, all MCU parts are on hold including the watchdog timer.

There are two different operating Power Down modes: protected mode and interruptible mode. The internal RAM contents can be preserved

through the voltage supplied via the V_{DD} pins. To verify RAM integrity, some dedicated patterns may be written before entering the Power Down mode and have to be checked after Power Down is resumed.

It is mandatory to keep $V_{DD} = +5V \pm 10\%$ during power-down mode, because the on-chip voltage regulator is turned in power saving mode and it delivers 2.5V to the core logic, but it must be supplied at nominal $V_{DD} = +5V$.

19.2.1 - Protected Power Down Mode

This mode is selected when PWDCFG (bit 5) of SYSCON register is cleared. The Protected Power Down mode is only activated if the \overline{NMI} pin is pulled low when executing PWRDN instruction (this means that the PWRD instruction belongs to the \overline{NMI} software routine). This mode is only deactivated with an external hardware reset on \overline{RSTIN} pin.

Note: During power down the on-chip voltage regulator automatically lowers the internal logic supply voltage to 2.5V, to save power and to keep internal RAM and registers contents.

19.2.2 - Interruptible Power Down Mode

This mode is selected when PWDCFG (bit 5) of SYSCON register is set (See Chapter : *Special Function Register Overview* on page 125).

The Interruptible Power Down mode is only activated if all the enabled Fast External Interrupt pins are in their inactive level (see EXICON register description below).

This mode is deactivated with an external reset applied to \overline{RSTIN} pin or with an interrupt request applied to one of the Fast External Interrupt pins. To allow the internal PLL and clock to stabilize, the \overline{RSTIN} pin must be held low according the recommendations described in Chapter : *System Reset* on page 114.

EXICON (F1C0h / E0h)

ESFR

Reset Value: 0000h

| 15 | 14 | 13 | 12 | 11 | 10 | 9 | 8 | 7 | 6 | 5 | 4 | 3 | 2 | 1 | 0 |
|--------|--------|--------|--------|--------|--------|--------|--------|---|---|---|---|---|---|---|---|
| EXI7ES | EXI6ES | EXI5ES | EXI4ES | EXI3ES | EXI2ES | EXI1ES | EXI0ES | | | | | | | | |
| RW | RW | RW | RW | RW | RW | RW | RW | | | | | | | | |

| | |
|-----------------|---|
| EXIxES(x=7...0) | External Interrupt x Edge Selection Field (x=7...0) 0 0: Fast external interrupts disabled: standard mode EXxIN pin not taken in account for entering/exiting Power Down mode. |
|-----------------|---|

| | |
|-----------------|--|
| EXIxES(x=7...0) | External Interrupt x Edge Selection Field (x=7...0) 0 1: Interrupt on positive edge (rising) Enter Power Down mode if EXiIN = '0', exit if EXxIN = '1' (referred as 'high' active level) 1 0: Interrupt on negative edge (falling) Enter Power Down mode if EXiIN = '1', exit if EXxIN = '0' (referred as 'low' active level) 1 1: Interrupt on any edge (rising or falling) Always enter Power Down mode, exit if EXxIN level changed. |
|-----------------|--|

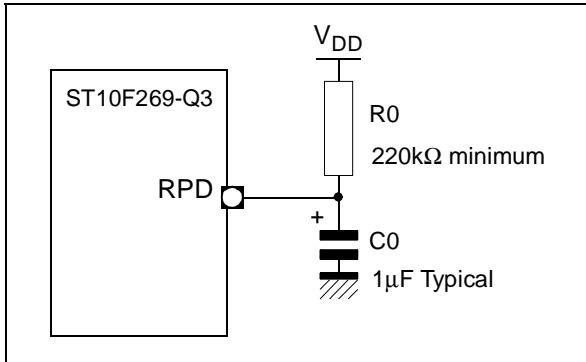
EXxIN inputs are normally sampled interrupt inputs. However, the Power Down mode circuitry uses them as level-sensitive inputs.

An EXxIN (x = 3...0) Interrupt Enable bit (bit CCxIE in respective CCxIC register) need not be set to bring the device out of Power Down mode. An external RC circuit must be connected to RPD pin, as shown in the Figure 61.

the Interrupt Request Flag (bit CCxIR in the respective CCxIC register) remains set until it is cleared by software.

Note: Due to the internal pipeline, the instruction that follows the PWRDN instruction is executed before the CPU performs a call of the interrupt service routine when exiting power-down mode

Figure 61 : External RC Circuit on RPD Pin For Exiting Powerdown Mode with External Interrupt



To exit Power Down mode with an external interrupt, an EXxIN (x = 7...0) pin has to be asserted for at least 40ns.

This signal enables the internal oscillator and PLL circuitry, and also turns on the weak pull-down (see Figure 62).

The discharge of the external capacitor provides a delay that allows the oscillator and PLL circuits to stabilize before the internal CPU and Peripheral clocks are enabled. When the RPD voltage drops below the threshold voltage (about 2.5V), the Schmitt trigger clears Q2 flip-flop, thus enabling the CPU and Peripheral clocks, and the device resumes code execution.

If the Interrupt was enabled (bit CCxIE='1' in the respective CCxIC register) before entering Power Down mode, the device executes the interrupt service routine, and then resumes execution after the PWRDN instruction (see note below).

If the interrupt was disabled, the device executes the instruction following PWRDN instruction, and

Figure 62 : Simplified Powerdown Exit Circuitry

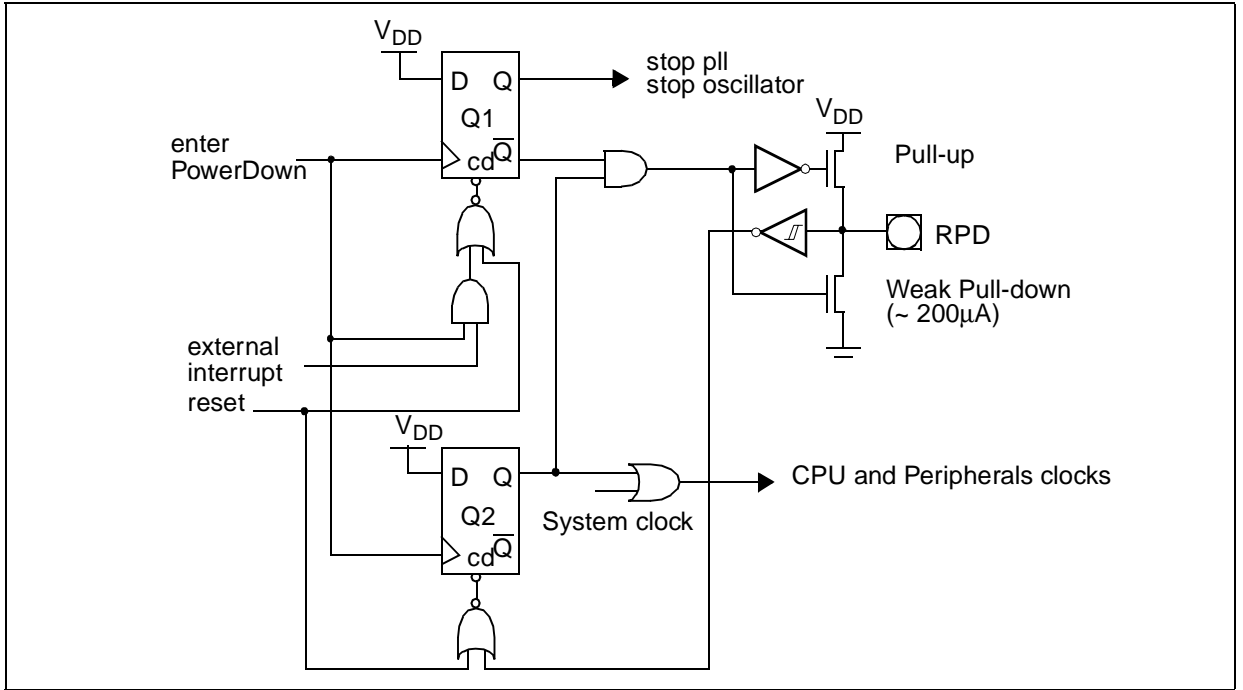
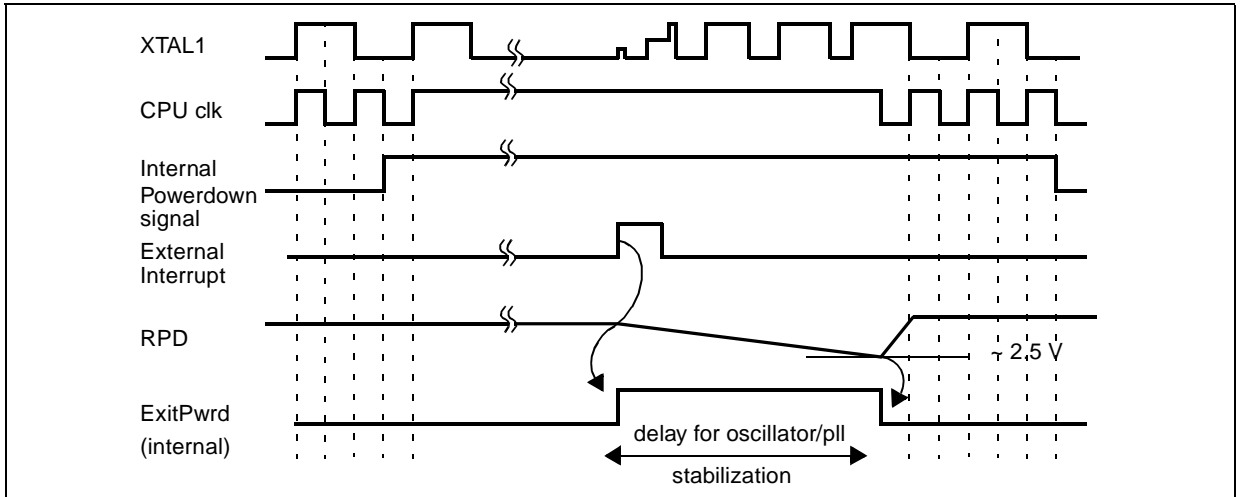


Figure 63 : Powerdown Exit Sequence When Using an External Interrupt (PLL x 2)



20 - SPECIAL FUNCTION REGISTER OVERVIEW

The following table lists all SFRs which are implemented in the ST10F269 in alphabetical order. Bit-addressable SFRs are marked with the letter “b” in column “Name”. SFRs within the Extended SFR-Space (ESFRs) are marked with the letter “E” in column “Physical Address”.

A SFR can be specified by its individual mnemonic name. Depending on the selected addressing mode, a SFR can be accessed via its

physical address (using the Data Page Pointers), or via its short 8-bit address (without using the Data Page Pointers).

The reset value is defined as following:

- X : Means the full nibble is not defined at reset.
- x : Means some bits of the nibble are not defined at reset.

Table 40 : Special Function Registers Listed by Name

| Name | Physical address | 8-bit address | Description | Reset value |
|-----------|------------------|---------------|--|-------------|
| ADCIC b | FF98h | CCh | A/D Converter end of Conversion Interrupt Control Register | --00h |
| ADCON b | FFA0h | D0h | A/D Converter Control Register | 0000h |
| ADDAT | FEA0h | 50h | A/D Converter Result Register | 0000h |
| ADDAT2 | F0A0h E | 50h | A/D Converter 2 Result Register | 0000h |
| ADDRSEL1 | FE18h | 0Ch | Address Select Register 1 | 0000h |
| ADDRSEL2 | FE1Ah | 0Dh | Address Select Register 2 | 0000h |
| ADDRSEL3 | FE1Ch | 0Eh | Address Select Register 3 | 0000h |
| ADDRSEL4 | FE1Eh | 0Fh | Address Select Register 4 | 0000h |
| ADEIC b | FF9Ah | CDh | A/D Converter Overrun Error Interrupt Control Register | --00h |
| BUSCON0 b | FF0Ch | 86h | Bus Configuration Register 0 | 0xx0h |
| BUSCON1 b | FF14h | 8Ah | Bus Configuration Register 1 | 0000h |
| BUSCON2 b | FF16h | 8Bh | Bus Configuration Register 2 | 0000h |
| BUSCON3 b | FF18h | 8Ch | Bus Configuration Register 3 | 0000h |
| BUSCON4 b | FF1Ah | 8Dh | Bus Configuration Register 4 | 0000h |
| CAPREL | FE4Ah | 25h | GPT2 Capture/Reload Register | 0000h |
| CC0 | FE80h | 40h | CAPCOM Register 0 | 0000h |
| CC0IC b | FF78h | BCh | CAPCOM Register 0 Interrupt Control Register | --00h |
| CC1 | FE82h | 41h | CAPCOM Register 1 | 0000h |
| CC1IC b | FF7Ah | BDh | CAPCOM Register 1 Interrupt Control Register | --00h |
| CC2 | FE84h | 42h | CAPCOM Register 2 | 0000h |
| CC2IC b | FF7Ch | BEh | CAPCOM Register 2 Interrupt Control Register | --00h |
| CC3 | FE86h | 43h | CAPCOM Register 3 | 0000h |
| CC3IC b | FF7Eh | BFh | CAPCOM Register 3 Interrupt Control Register | --00h |
| CC4 | FE88h | 44h | CAPCOM Register 4 | 0000h |
| CC4IC b | FF80h | C0h | CAPCOM Register 4 Interrupt Control Register | --00h |
| CC5 | FE8Ah | 45h | CAPCOM Register 5 | 0000h |
| CC5IC b | FF82h | C1h | CAPCOM Register 5 Interrupt Control Register | --00h |
| CC6 | FE8Ch | 46h | CAPCOM Register 6 | 0000h |
| CC6IC b | FF84h | C2h | CAPCOM Register 6 Interrupt Control Register | --00h |
| CC7 | FE8Eh | 47h | CAPCOM Register 7 | 0000h |
| CC7IC b | FF86h | C3h | CAPCOM Register 7 Interrupt Control Register | --00h |
| CC8 | FE90h | 48h | CAPCOM Register 8 | 0000h |
| CC8IC b | FF88h | C4h | CAPCOM Register 8 Interrupt Control Register | --00h |

Table 40 : Special Function Registers Listed by Name (continued)

| Name | Physical address | 8-bit address | Description | Reset value |
|----------|------------------|---------------|---|-------------|
| CC9 | FE92h | 49h | CAPCOM Register 9 | 0000h |
| CC9IC b | FF8Ah | C5h | CAPCOM Register 9 Interrupt Control Register | --00h |
| CC10 | FE94h | 4Ah | CAPCOM Register 10 | 0000h |
| CC10IC b | FF8Ch | C6h | CAPCOM Register 10 Interrupt Control Register | --00h |
| CC11 | FE96h | 4Bh | CAPCOM Register 11 | 0000h |
| CC11IC b | FF8Eh | C7h | CAPCOM Register 11 Interrupt Control Register | --00h |
| CC12 | FE98h | 4Ch | CAPCOM Register 12 | 0000h |
| CC12IC b | FF90h | C8h | CAPCOM Register 12 Interrupt Control Register | --00h |
| CC13 | FE9Ah | 4Dh | CAPCOM Register 13 | 0000h |
| CC13IC b | FF92h | C9h | CAPCOM Register 13 Interrupt Control Register | --00h |
| CC14 | FE9Ch | 4Eh | CAPCOM Register 14 | 0000h |
| CC14IC b | FF94h | CAh | CAPCOM Register 14 Interrupt Control Register | --00h |
| CC15 | FE9Eh | 4Fh | CAPCOM Register 15 | 0000h |
| CC15IC b | FF96h | CBh | CAPCOM Register 15 Interrupt Control Register | --00h |
| CC16 | FE60h | 30h | CAPCOM Register 16 | 0000h |
| CC16IC b | F160h E | B0h | CAPCOM Register 16 Interrupt Control Register | --00h |
| CC17 | FE62h | 31h | CAPCOM Register 17 | 0000h |
| CC17IC b | F162h E | B1h | CAPCOM Register 17 Interrupt Control Register | --00h |
| CC18 | FE64h | 32h | CAPCOM Register 18 | 0000h |
| CC18IC b | F164h E | B2h | CAPCOM Register 18 Interrupt Control Register | --00h |
| CC19 | FE66h | 33h | CAPCOM Register 19 | 0000h |
| CC19IC b | F166h E | B3h | CAPCOM Register 19 Interrupt Control Register | --00h |
| CC20 | FE68h | 34h | CAPCOM Register 20 | 0000h |
| CC20IC b | F168h E | B4h | CAPCOM Register 20 Interrupt Control Register | --00h |
| CC21 | FE6Ah | 35h | CAPCOM Register 21 | 0000h |
| CC21IC b | F16Ah E | B5h | CAPCOM Register 21 Interrupt Control Register | --00h |
| CC22 | FE6Ch | 36h | CAPCOM Register 22 | 0000h |
| CC22IC b | F16Ch E | B6h | CAPCOM Register 22 Interrupt Control Register | --00h |
| CC23 | FE6Eh | 37h | CAPCOM Register 23 | 0000h |
| CC23IC b | F16Eh E | B7h | CAPCOM Register 23 Interrupt Control Register | --00h |
| CC24 | FE70h | 38h | CAPCOM Register 24 | 0000h |
| CC24IC b | F170h E | B8h | CAPCOM Register 24 Interrupt Control Register | --00h |
| CC25 | FE72h | 39h | CAPCOM Register 25 | 0000h |
| CC25IC b | F172h E | B9h | CAPCOM Register 25 Interrupt Control Register | --00h |
| CC26 | FE74h | 3Ah | CAPCOM Register 26 | 0000h |
| CC26IC b | F174h E | BAh | CAPCOM Register 26 Interrupt Control Register | --00h |
| CC27 | FE76h | 3Bh | CAPCOM Register 27 | 0000h |
| CC27IC b | F176h E | BBh | CAPCOM Register 27 Interrupt Control Register | --00h |
| CC28 | FE78h | 3Ch | CAPCOM Register 28 | 0000h |
| CC28IC b | F178h E | BC h | CAPCOM Register 28 Interrupt Control Register | --00h |
| CC29 | FE7Ah | 3Dh | CAPCOM Register 29 | 0000h |
| CC29IC b | F184h E | C2h | CAPCOM Register 29 Interrupt Control Register | --00h |

Table 40 : Special Function Registers Listed by Name (continued)

| Name | Physical address | 8-bit address | Description | Reset value |
|---------|------------------|---------------|---|-------------|
| CC30 | FE7Ch | 3Eh | CAPCOM Register 30 | 0000h |
| CC30IC | b F18Ch | E C6h | CAPCOM Register 30 Interrupt Control Register | - - 00h |
| CC31 | FE7Eh | 3Fh | CAPCOM Register 31 | 0000h |
| CC31IC | b F194h | E CAh | CAPCOM Register 31 Interrupt Control Register | - - 00h |
| CCM0 | b FF52h | A9h | CAPCOM Mode Control Register 0 | 0000h |
| CCM1 | b FF54h | AAh | CAPCOM Mode Control Register 1 | 0000h |
| CCM2 | b FF56h | ABh | CAPCOM Mode Control Register 2 | 0000h |
| CCM3 | b FF58h | ACH | CAPCOM Mode Control Register 3 | 0000h |
| CCM4 | b FF22h | 91h | CAPCOM Mode Control Register 4 | 0000h |
| CCM5 | b FF24h | 92h | CAPCOM Mode Control Register 5 | 0000h |
| CCM6 | b FF26h | 93h | CAPCOM Mode Control Register 6 | 0000h |
| CCM7 | b FF28h | 94h | CAPCOM Mode Control Register 7 | 0000h |
| CP | FE10h | 08h | CPU Context Pointer Register | FC00h |
| CRIC | b FF6Ah | B5h | GPT2 CAPREL Interrupt Control Register | - - 00h |
| CSP | FE08h | 04h | CPU Code Segment Pointer Register (read only) | 0000h |
| DP0L | b F100h | E 80h | P0L Direction Control Register | - - 00h |
| DP0H | b F102h | E 81h | P0h Direction Control Register | - - 00h |
| DP1L | b F104h | E 82h | P1L Direction Control Register | - - 00h |
| DP1H | b F106h | E 83h | P1h Direction Control Register | - - 00h |
| DP2 | b FFC2h | E1h | Port 2 Direction Control Register | 0000h |
| DP3 | b FFC6h | E3h | Port 3 Direction Control Register | 0000h |
| DP4 | b FFCAh | E5h | Port 4 Direction Control Register | 00h |
| DP6 | b FFCEh | E7h | Port 6 Direction Control Register | 00h |
| DP7 | b FFD2h | E9h | Port 7 Direction Control Register | 00h |
| DP8 | b FFD6h | EBh | Port 8 Direction Control Register | 00h |
| DPP0 | FE00h | 00h | CPU Data Page Pointer 0 Register (10-bit) | 0000h |
| DPP1 | FE02h | 01h | CPU Data Page Pointer 1 Register (10-bit) | 0001h |
| DPP2 | FE04h | 02h | CPU Data Page Pointer 2 Register (10-bit) | 0002h |
| DPP3 | FE06h | 03h | CPU Data Page Pointer 3 Register (10-bit) | 0003h |
| EXICON | b F1C0h | E E0h | External Interrupt Control Register | 0000h |
| EXISEL | b F1DAh | E EDh | External Interrupt Source Selection Register | 0000h |
| IDCHIP | F07Ch | E 3Eh | Device Identifier Register (n is the device revision) | 10Dnh |
| IDMANUF | F07Eh | E 3Fh | Manufacturer Identifier Register | 0401h |
| IDMEM | F07Ah | E 3Dh | On-chip Memory Identifier Register | 3040h |
| IDPROG | F078h | E 3Ch | Programming Voltage Identifier Register | 0040h |
| IDX0 | b FF08h | 84h | MAC Unit Address Pointer 0 | 0000h |
| IDX1 | b FF0Ah | 85h | MAC Unit Address Pointer 1 | 0000h |
| MAH | FE5Eh | 2Fh | MAC Unit Accumulator - High Word | 0000h |
| MAL | FE5Ch | 2Eh | MAC Unit Accumulator - Low Word | 0000h |
| MCW | b FFDCh | EEh | MAC Unit Control Word | 0000h |
| MDC | b FF0Eh | 87h | CPU Multiply Divide Control Register | 0000h |
| MDH | FE0Ch | 06h | CPU Multiply Divide Register – High Word | 0000h |

Table 40 : Special Function Registers Listed by Name (continued)

| Name | Physical address | 8-bit address | Description | Reset value |
|---------|------------------|---------------|--|-------------|
| MDL | FE0Eh | 07h | CPU Multiply Divide Register – Low Word | 0000h |
| MRW | b FFDAh | EDh | MAC Unit Repeat Word | 0000h |
| MSW | b FFDEh | EFh | MAC Unit Status Word | 0200h |
| ODP2 | b F1C2h | E E1h | Port 2 Open Drain Control Register | 0000h |
| ODP3 | b F1C6h | E E3h | Port 3 Open Drain Control Register | 0000h |
| ODP4 | b F1CAh | E E5h | Port 4 Open Drain Control Register | --00h |
| ODP6 | b F1CEh | E E7h | Port 6 Open Drain Control Register | --00h |
| ODP7 | b F1D2h | E E9h | Port 7 Open Drain Control Register | --00h |
| ODP8 | b F1D6h | E EBh | Port 8 Open Drain Control Register | --00h |
| ONES | b FF1Eh | 8Fh | Constant Value 1's Register (read only) | FFFFh |
| P0L | b FF00h | 80h | PORT0 Low Register (Lower half of PORT0) | --00h |
| P0H | b FF02h | 81h | PORT0 High Register (Upper half of PORT0) | --00h |
| P1L | b FF04h | 82h | PORT1 Low Register (Lower half of PORT1) | --00h |
| P1H | b FF06h | 83h | PORT1 High Register (Upper half of PORT1) | --00h |
| P2 | b FFC0h | E0h | Port 2 Register | 0000h |
| P3 | b FFC4h | E2h | Port 3 Register | 0000h |
| P4 | b FFC8h | E4h | Port 4 Register (8-bit) | 00h |
| P5 | b FFA2h | D1h | Port 5 Register (read only) | XXXXh |
| P6 | b FFCCh | E6h | Port 6 Register (8-bit) | --00h |
| P7 | b FFD0h | E8h | Port 7 Register (8-bit) | --00h |
| P8 | b FFD4h | EAh | Port 8 Register (8-bit) | --00h |
| P5DIDIS | b FFA4h | D2h | Port 5 Digital Disable Register | 0000h |
| POCON0L | F080h | E 40h | PORT0 Low Output Control Register (8-bit) | --00h |
| POCON0H | F082h | E 41h | PORT0 High Output Control Register (8-bit) | --00h |
| POCON1L | F084h | E 42h | PORT1 Low Output Control Register (8-bit) | --00h |
| POCON1H | F086h | E 43h | PORT1 High Output Control Register (8-bit) | --00h |
| POCON2 | F088h | E 44h | Port2 Output Control Register | 0000h |
| POCON3 | F08Ah | E 45h | Port3 Output Control Register | 0000h |
| POCON4 | F08Ch | E 46h | Port4 Output Control Register (8-bit) | --00h |
| POCON6 | F08Eh | E 47h | Port6 Output Control Register (8-bit) | --00h |
| POCON7 | F090h | E 48h | Port7 Output Control Register (8-bit) | --00h |
| POCON8 | F092h | E 49h | Port8 Output Control Register (8-bit) | --00h |
| POCON20 | F0AAh | E 55h | ALE, \overline{RD} , \overline{WR} Output Control Register (8-bit) | 0000h |
| PECC0 | FEC0h | 60h | PEC Channel 0 Control Register | 0000h |
| PECC1 | FEC2h | 61h | PEC Channel 1 Control Register | 0000h |
| PECC2 | FEC4h | 62h | PEC Channel 2 Control Register | 0000h |
| PECC3 | FEC6h | 63h | PEC Channel 3 Control Register | 0000h |
| PECC4 | FEC8h | 64h | PEC Channel 4 Control Register | 0000h |
| PECC5 | FECAh | 65h | PEC Channel 5 Control Register | 0000h |
| PECC6 | FECCh | 66h | PEC Channel 6 Control Register | 0000h |
| PECC7 | FECEh | 67h | PEC Channel 7 Control Register | 0000h |
| PICON | b F1C4h | E E2h | Port Input Threshold Control Register | --00h |

Table 40 : Special Function Registers Listed by Name (continued)

| Name | Physical address | 8-bit address | Description | Reset value |
|---------|------------------|---------------|---|--------------------|
| PP0 | F038h | E 1Ch | PWM Module Period Register 0 | 0000h |
| PP1 | F03Ah | E 1Dh | PWM Module Period Register 1 | 0000h |
| PP2 | F03Ch | E 1Eh | PWM Module Period Register 2 | 0000h |
| PP3 | F03Eh | E 1Fh | PWM Module Period Register 3 | 0000h |
| PSW | b FF10h | 88h | CPU Program Status Word | 0000h |
| PT0 | F030h | E 18h | PWM Module Up/Down Counter 0 | 0000h |
| PT1 | F032h | E 19h | PWM Module Up/Down Counter 1 | 0000h |
| PT2 | F034h | E 1Ah | PWM Module Up/Down Counter 2 | 0000h |
| PT3 | F036h | E 1Bh | PWM Module Up/Down Counter 3 | 0000h |
| PW0 | FE30h | 18h | PWM Module Pulse Width Register 0 | 0000h |
| PW1 | FE32h | 19h | PWM Module Pulse Width Register 1 | 0000h |
| PW2 | FE34h | 1Ah | PWM Module Pulse Width Register 2 | 0000h |
| PW3 | FE36h | 1Bh | PWM Module Pulse Width Register 3 | 0000h |
| PWMCON0 | b FF30h | 98h | PWM Module Control Register 0 | 0000h |
| PWMCON1 | b FF32h | 99h | PWM Module Control Register 1 | 0000h |
| PWMIC | b F17Eh | E BFh | PWM Module Interrupt Control Register | -- 00h |
| QR0 | F004h | E 02h | MAC Unit Offset Register QR0 | 0000h |
| QR1 | F006h | E 03h | MAC Unit Offset Register QR1 | 0000h |
| QX0 | F000h | E 00h | MAC Unit Offset Register QX0 | 0000h |
| QX1 | F002h | E 01h | MAC Unit Offset Register QX1 | 0000h |
| RP0H | b F108h | E 84h | System Start-up Configuration Register (read only) | -- XXh |
| S0BG | FEB4h | 5Ah | Serial Channel 0 Baud Rate Generator Reload Register | 0000h |
| S0CON | b FFB0h | D8h | Serial Channel 0 Control Register | 0000h |
| S0EIC | b FF70h | B8h | Serial Channel 0 Error Interrupt Control Register | -- 00h |
| S0RBUF | FEB2h | 59h | Serial Channel 0 Receive Buffer Register (read only) | -- XXh |
| S0RIC | b FF6Eh | B7h | Serial Channel 0 Receive Interrupt Control Register | -- 00h |
| S0TBIC | b F19Ch | E CEh | Serial Channel 0 Transmit Buffer Interrupt Control Register | -- 00h |
| S0TBUF | FEB0h | 58h | Serial Channel 0 Transmit Buffer Register (write only) | 0000h |
| S0TIC | b FF6Ch | B6h | Serial Channel 0 Transmit Interrupt Control Register | -- 00h |
| SP | FE12h | 09h | CPU System Stack Pointer Register | FC00h |
| SSCBR | F0B4h | E 5Ah | SSC Baud Rate Register | 0000h |
| SSCCON | b FFB2h | D9h | SSC Control Register | 0000h |
| SSCEIC | b FF76h | BBh | SSC Error Interrupt Control Register | -- 00h |
| SSCRB | F0B2h | E 59h | SSC Receive Buffer (read only) | XXXXh |
| SSCRIC | b FF74h | BAh | SSC Receive Interrupt Control Register | -- 00h |
| SSCTB | F0B0h | E 58h | SSC Transmit Buffer (write only) | 0000h |
| SSCTIC | b FF72h | B9h | SSC Transmit Interrupt Control Register | -- 00h |
| STKOV | FE14h | 0Ah | CPU Stack Overflow Pointer Register | FA00h |
| STKUN | FE16h | 0Bh | CPU Stack Underflow Pointer Register | FC00h |
| SYSCON | b FF12h | 89h | CPU System Configuration Register | 0xx0h ¹ |
| T0 | FE50h | 28h | CAPCOM Timer 0 Register | 0000h |
| T01CON | b FF50h | A8h | CAPCOM Timer 0 and Timer 1 Control Register | 0000h |

Table 40 : Special Function Registers Listed by Name (continued)

| Name | Physical address | 8-bit address | Description | Reset value |
|---------|------------------|---------------|---|--------------------|
| T0IC | b FF9Ch | CEh | CAPCOM Timer 0 Interrupt Control Register | --00h |
| T0REL | FE54h | 2Ah | CAPCOM Timer 0 Reload Register | 0000h |
| T1 | FE52h | 29h | CAPCOM Timer 1 Register | 0000h |
| T1IC | b FF9Eh | CFh | CAPCOM Timer 1 Interrupt Control Register | --00h |
| T1REL | FE56h | 2Bh | CAPCOM Timer 1 Reload Register | 0000h |
| T2 | FE40h | 20h | GPT1 Timer 2 Register | 0000h |
| T2CON | b FF40h | A0h | GPT1 Timer 2 Control Register | 0000h |
| T2IC | b FF60h | B0h | GPT1 Timer 2 Interrupt Control Register | --00h |
| T3 | FE42h | 21h | GPT1 Timer 3 Register | 0000h |
| T3CON | b FF42h | A1h | GPT1 Timer 3 Control Register | 0000h |
| T3IC | b FF62h | B1h | GPT1 Timer 3 Interrupt Control Register | --00h |
| T4 | FE44h | 22h | GPT1 Timer 4 Register | 0000h |
| T4CON | b FF44h | A2h | GPT1 Timer 4 Control Register | 0000h |
| T4IC | b FF64h | B2h | GPT1 Timer 4 Interrupt Control Register | --00h |
| T5 | FE46h | 23h | GPT2 Timer 5 Register | 0000h |
| T5CON | b FF46h | A3h | GPT2 Timer 5 Control Register | 0000h |
| T5IC | b FF66h | B3h | GPT2 Timer 5 Interrupt Control Register | --00h |
| T6 | FE48h | 24h | GPT2 Timer 6 Register | 0000h |
| T6CON | b FF48h | A4h | GPT2 Timer 6 Control Register | 0000h |
| T6IC | b FF68h | B4h | GPT2 Timer 6 Interrupt Control Register | --00h |
| T7 | F050h | E 28h | CAPCOM Timer 7 Register | 0000h |
| T78CON | b FF20h | 90h | CAPCOM Timer 7 and 8 Control Register | 0000h |
| T7IC | b F17Ah | E BEh | CAPCOM Timer 7 Interrupt Control Register | --00h |
| T7REL | F054h | E 2Ah | CAPCOM Timer 7 Reload Register | 0000h |
| T8 | F052h | E 29h | CAPCOM Timer 8 Register | 0000h |
| T8IC | b F17Ch | E BFh | CAPCOM Timer 8 Interrupt Control Register | --00h |
| T8REL | F056h | E 2Bh | CAPCOM Timer 8 Reload Register | 0000h |
| TFR | b FFACh | D6h | Trap Flag Register | 0000h |
| WDT | FEAEh | 57h | Watchdog Timer Register (read only) | 0000h |
| WDTCON | b FFAEh | D7h | Watchdog Timer Control Register | 00xxh ² |
| XP0IC | b F186h | E C3h | CAN1 Module Interrupt Control Register | --00h ³ |
| XP1IC | b F18Eh | E C7h | CAN2 Module Interrupt Control Register | --00h ³ |
| XP2IC | b F196h | E CBh | Flash ready/busy interrupt control register | --00h ³ |
| XP3IC | b F19Eh | E CFh | PLL unlock Interrupt Control Register | --00h ³ |
| XPERCON | F024h | E 12h | XPER Configuration Register | --05h |
| ZEROS | b FF1Ch | 8Eh | Constant Value 0's Register (read only) | 0000h |

Notes: 1. The system configuration is selected during reset.

2. Bit WDTR indicates a watchdog timer triggered reset.

3. The XPNIC Interrupt Control Registers control interrupt requests from integrated X-Bus peripherals. Some software controlled interrupt requests may be generated by setting the XPNIR bits (of XPNIC register) of the unused X-peripheral nodes.

20.1 - Identification Registers

The ST10F269 has four Identification registers, mapped in ESRF space. These registers contain:

- A manufacturer identifier,
- A chip identifier, with its revision,
- A internal memory and size identifier and programming voltage description.

Note: 256K and 128K versions of ST10F269 have the same IDMEM corresponding to 256K.

Both versions are based on the same device with the only difference that the two upper banks of Flash are not tested on 128K versions. Therefore, there is no way to detect by software if a device is a 128K version or a 256K version.

IDMANUF (F07Eh / 3Fh)¹ ESRF Reset Value: 0401h

| | | | | | | | | | | | | | | | |
|-------|----|----|----|----|----|---|---|---|---|---|---|---|---|---|---|
| 15 | 14 | 13 | 12 | 11 | 10 | 9 | 8 | 7 | 6 | 5 | 4 | 3 | 2 | 1 | 0 |
| MANUF | | | | | | | | | | | 0 | 0 | 0 | 0 | 1 |

R

| | |
|-------|--|
| MANUF | Manufacturer Identifier - 020h: STMicroelectronics Manufacturer (JTAG worldwide normalization). |
|-------|--|

IDCHIP (F07Ch / 3Eh)¹ ESRF Reset Value: 10DXh

| | | | | | | | | | | | | | | | |
|--------|----|----|----|----|----|---|---|---|---|---|---|-------|---|---|---|
| 15 | 14 | 13 | 12 | 11 | 10 | 9 | 8 | 7 | 6 | 5 | 4 | 3 | 2 | 1 | 0 |
| CHIPID | | | | | | | | | | | | REVID | | | |

R

R

| | |
|--------|---|
| REVID | Device Revision Identifier |
| CHIPID | Device Identifier - 10Dh: ST10F269 identifier. |

IDMEM (F07Ah / 3Dh)¹ ESRF Reset Value: 3040h

| | | | | | | | | | | | | | | | |
|--------|----|----|----|----|----|---------|---|---|---|---|---|---|---|---|---|
| 15 | 14 | 13 | 12 | 11 | 10 | 9 | 8 | 7 | 6 | 5 | 4 | 3 | 2 | 1 | 0 |
| MEMTYP | | | | | | MEMSIZE | | | | | | | | | |

R

R

| | |
|---------|--|
| MEMSIZE | Internal Memory Size is calculated using the following formula: Size = 4 x [MEMSIZE] (in K Byte) - 040h for ST10F269 (256K Byte) |
| MEMTYP | Internal Memory Type - 3h for ST10F269 (Flash memory). |

IDPROG (F078h / 3Ch)¹ ESRF Reset Value: 0040h

| | | | | | | | | | | | | | | | |
|---------|----|----|----|----|----|---|---|---------|---|---|---|---|---|---|---|
| 15 | 14 | 13 | 12 | 11 | 10 | 9 | 8 | 7 | 6 | 5 | 4 | 3 | 2 | 1 | 0 |
| PROGVPP | | | | | | | | PROGVDD | | | | | | | |

R

R

| | |
|---------|---|
| PROGVDD | Programming V_{DD} Voltage V _{DD} voltage when programming EPROM or FLASH devices is calculated using the following formula: V _{DD} = 20 x [PROGVDD] / 256 (volts) - 40h for ST10F269 (5V). |
| PROGVPP | Programming V_{PP} Voltage (no need of external V _{PP}) - 00h |

Note : 1. All identification words are read only registers.

20.2 - System Configuration Registers

The ST10F269 has registers used for different configuration of the overall system. These registers are described below.

| SYSCON (FF12h / 89h) | | | | | | | | | | | | | | | SFR | Reset Value: 0xx0h |
|----------------------|-------|--------|-----------------|-----------------|-------|-----------------|-------|---------|---------|----------|------|---------|-----------|----|-----|--------------------|
| 15 | 14 | 13 | 12 | 11 | 10 | 9 | 8 | 7 | 6 | 5 | 4 | 3 | 2 | 1 | 0 | |
| STKSZ | ROMS1 | SGTDIS | ROMEN | BYTDIS | CLKEN | WRCFG | CSCFG | PWD CFG | OWD DIS | BDR STEN | XPEN | VISIBLE | XPERSHARE | | | |
| RW | RW | RW | RW ¹ | RW ¹ | RW | RW ¹ | RW | RW | RW | RW | RW | RW | RW | RW | RW | |

Notes: 1. These bit are set directly or indirectly according to PORT0 and \overline{EA} pin configuration during reset sequence.

2. Register SYSCON cannot be changed after execution of the EINIT instruction.

| | |
|-----------|--|
| XPERSHARE | <p>XBUS Peripheral Share Mode Control</p> <p>'0': External accesses to XBUS peripherals are disabled</p> <p>'1': XBUS peripherals are accessible via the external bus during hold mode</p> |
| VISIBLE | <p>Visible Mode Control</p> <p>'0': Accesses to XBUS peripherals are done internally</p> <p>'1': XBUS peripheral accesses are made visible on the external pins</p> |
| XPEN | <p>XBUS Peripheral Enable bit</p> <p>'0': Accesses to the on-chip X-Peripherals and XRAM are disabled</p> <p>'1': The on-chip X-Peripherals are enabled.</p> |
| BDRSTEN | <p>Bidirectional Reset Enable</p> <p>'0': \overline{RSTIN} pin is an input pin only. (SW Reset or WDT Reset have no effect on this pin)</p> <p>'1': \overline{RSTIN} pin is a bidirectional pin. This pin is pulled low during 1024 TCL during reset sequence.</p> |
| OWDDIS | <p>Oscillator Watchdog Disable Control</p> <p>'0': Oscillator Watchdog (OWD) is enabled. If PLL is bypassed, the OWD monitors XTAL1 activity. If there is no activity on XTAL1 for at least 1 μs, the CPU clock is switched automatically to PLL's base frequency (from 2 to 10MHz).</p> <p>'1': OWD is disabled. If the PLL is bypassed, the CPU clock is always driven by XTAL1 signal. The PLL is turned off to reduce power supply current.</p> |
| PWDCFG | <p>Power Down Mode Configuration Control</p> <p>'0': Power Down Mode can only be entered during PWRDN instruction execution if \overline{NMI} pin is low, otherwise the instruction has no effect. Exit power down only with reset.</p> <p>'1': Power Down Mode can only be entered during PWRDN instruction execution if all enabled fast external interrupt EXxIN pins are in their inactive level. Exiting this mode can be done by asserting one enabled EXxIN pin or with external reset.</p> |
| CSCFG | <p>Chip Select Configuration Control</p> <p>'0': Latched Chip Select lines: CSx change 1 TCL after rising edge of ALE</p> <p>'1': Unlatched Chip Select lines: CSx change with rising edge of ALE.</p> |
| WRCFG | <p>Write Configuration Control (Inverted copy of bit WRC of RP0H)</p> |

| | |
|--------|---|
| | <p>'0': Pins \overline{WR} and \overline{BHE} retain their normal function</p> <p>'1': Pin \overline{WR} acts as \overline{WRL}, pin \overline{BHE} acts as \overline{WRH}.</p> |
| CLKEN | <p>System Clock Output Enable (CLKOUT)</p> <p>'0': CLKOUT disabled: pin may be used for general purpose I/O</p> <p>'1': CLKOUT enabled: pin outputs the system clock signal.</p> |
| BYTDIS | <p>Disable/Enable Control for Pin \overline{BHE} (Set according to data bus width)</p> <p>'0': Pin \overline{BHE} enabled</p> <p>'1': Pin \overline{BHE} disabled, pin may be used for general purpose I/O.</p> |
| ROMEN | <p>Internal Memory Enable (Set according to pin \overline{EA} during reset)</p> <p>'0': Internal Memory disabled: accesses to the Memory area use the external bus</p> <p>'1': Internal Memory enabled.</p> |
| SGTDIS | <p>Segmentation Disable/Enable Control</p> <p>'0': Segmentation enabled (CSP is saved/restored during interrupt entry/exit)</p> <p>'1': Segmentation disabled (Only IP is saved/restored).</p> |
| ROMS1 | <p>Internal Memory Mapping</p> <p>'0': Internal Memory area mapped to segment 0 (00'0000H...00'7FFFH)</p> <p>'1': Internal Memory area mapped to segment 1 (01'0000H...01'7FFFH).</p> |
| STKSZ | <p>System Stack Size</p> <p>Selects the size of the system stack (in the internal RAM) from 32 to 1024 words.</p> |

BUSCON0 (FF0Ch / 86h)

SFR

Reset Value: 0xx0h

| | | | | | | | | | | | | | | | |
|--------|--------|---------|--------|----|-----------------|-----------------|---|-----------------|-------|-------|------|---|---|---|---|
| 15 | 14 | 13 | 12 | 11 | 10 | 9 | 8 | 7 | 6 | 5 | 4 | 3 | 2 | 1 | 0 |
| CSWEN0 | CSREN0 | RDYPOLO | RDYEN0 | - | BUS ACT0 | ALE CTL0 | - | BTYP | MTTC0 | RWDC0 | MCTC | | | | |
| RW | RW | RW | RW | | RW ² | RW ² | | RW ¹ | RW | RW | RW | | | | |

BUSCON1 (FF14h / 8Ah)

SFR

Reset Value: 0000h

| | | | | | | | | | | | | | | | |
|--------|--------|---------|--------|----|----------------|----------------|---|------|-------|-------|------|---|---|---|---|
| 15 | 14 | 13 | 12 | 11 | 10 | 9 | 8 | 7 | 6 | 5 | 4 | 3 | 2 | 1 | 0 |
| CSWEN1 | CSREN1 | RDYPOL1 | RDYEN1 | - | BUSACT1 | ALECTL1 | - | BTYP | MTTC1 | RWDC1 | MCTC | | | | |
| RW | RW | RW | RW | | RW | RW | | RW | RW | RW | RW | | | | |

BUSCON2 (FF16h / 8Bh)

SFR

Reset Value: 0000h

| | | | | | | | | | | | | | | | |
|--------|--------|---------|--------|----|----------------|----------------|---|------|-------|-------|------|---|---|---|---|
| 15 | 14 | 13 | 12 | 11 | 10 | 9 | 8 | 7 | 6 | 5 | 4 | 3 | 2 | 1 | 0 |
| CSWEN2 | CSREN2 | RDYPOL2 | RDYEN2 | - | BUSACT2 | ALECTL2 | - | BTYP | MTTC2 | RWDC2 | MCTC | | | | |
| RW | RW | RW | RW | | RW | RW | | RW | RW | RW | RW | | | | |

BUSCON3 (FF18h / 8Ch)

SFR

Reset Value: 0000h

| | | | | | | | | | | | | | | | |
|--------|--------|---------|--------|----|----------------|----------------|---|------|-------|-------|------|---|---|---|---|
| 15 | 14 | 13 | 12 | 11 | 10 | 9 | 8 | 7 | 6 | 5 | 4 | 3 | 2 | 1 | 0 |
| CSWEN3 | CSREN3 | RDYPOL3 | RDYEN3 | - | BUSACT3 | ALECTL3 | - | BTYP | MTTC3 | RWDC3 | MCTC | | | | |
| RW | RW | RW | RW | | RW | RW | | RW | RW | RW | RW | | | | |

BUSCON4 (FF1Ah / 8Dh)

SFR

Reset Value: 0000h

| | | | | | | | | | | | | | | | |
|--------|--------|---------|--------|----|---------|---------|---|------|-------|-------|------|---|---|---|---|
| 15 | 14 | 13 | 12 | 11 | 10 | 9 | 8 | 7 | 6 | 5 | 4 | 3 | 2 | 1 | 0 |
| CSWEN4 | CSREN4 | RDYPOL4 | RDYEN4 | - | BUSACT4 | ALECTL4 | - | BTYP | MTTC4 | RWDC4 | MCTC | | | | |
| RW | RW | RW | RW | | RW | RW | | RW | RW | RW | RW | | | | |

Notes: 1. BTYP (bit 6 and 7) are set according to the configuration of the bit 16 and 17 of PORT0 latched at the end of the reset sequence.
 2. BUSCON0 is initialized with 0000h, if EA pin is high during reset. If EA pin is low during reset, bit BUSACT0 and ALECTRL0 are set ('1') and bit field BTYP is loaded with the bus configuration selected via PORT0.

| | |
|---------|---|
| MCTC | Memory Cycle Time Control (Number of memory cycle time wait states) 0 0 0 0: 15 wait states (Nber = 15 - [MCTC]) ... 1 1 1 1: No wait state |
| RWDCx | Read/Write Delay Control for BUSCONx '0': With read/write delay: activate command 1 TCL after falling edge of ALE '1': No read/write delay: activate command with falling edge of ALE |
| MTTCx | Memory Tristate Time Control '0': 1 wait state '1': No wait state |
| BTYP | External Bus Configuration 0 0: 8-bit Demultiplexed Bus 0 1: 8-bit Multiplexed Bus 1 0: 16-bit Demultiplexed Bus 1 1: 16-bit Multiplexed Bus Note: For BUSCON0, BTYP bit-field is defined via PORT0 during reset. |
| ALECTLx | ALE Lengthening Control '0': Normal ALE signal '1': Lengthened ALE signal |
| BUSACTx | Bus Active Control '0': External bus disabled '1': External bus enabled (within the respective address window, see ADDRSEL) |
| RDYENx | READY Input Enable '0': External bus cycle is controlled by bit field MCTC only '1': External bus cycle is controlled by the $\overline{\text{READY}}$ input signal |
| RDYPOLx | Ready Active Level Control '0': Active level on the $\overline{\text{READY}}$ pin is low, bus cycle terminates with a '0' on READY pin, '1': Active level on the $\overline{\text{READY}}$ pin is high, bus cycle terminates with a '1' on READY pin. |
| CSRENx | Read Chip Select Enable '0': The CS signal is independent of the read command ($\overline{\text{RD}}$) '1': The CS signal is generated for the duration of the read command |
| CSWENx | Write Chip Select Enable '0': The $\overline{\text{CS}}$ signal is independent of the write command ($\overline{\text{WR}}, \overline{\text{WRL}}, \overline{\text{WRH}}$) '1': The $\overline{\text{CS}}$ signal is generated for the duration of the write command |

RP0H (F108h / 84h)

ESFR

Reset Value: --XXH

| | | | | | | | | | | | | | | | |
|----|----|----|----|----|----|---|---|---|------------------|---|----------------|---|----------------|---|----------------|
| 15 | 14 | 13 | 12 | 11 | 10 | 9 | 8 | 7 | 6 | 5 | 4 | 3 | 2 | 1 | 0 |
| - | - | - | - | - | - | - | - | | CLKSEL | | SALSEL | | CSEL | | WRC |
| | | | | | | | | | R ¹⁻² | | R ² | | R ² | | R ² |

| | |
|-----------------------|--|
| WRC ² | Write Configuration Control '0': Pin \overline{WR} acts as \overline{WRL} , pin \overline{BHE} acts as \overline{WRH} '1': Pins \overline{WR} and \overline{BHE} retain their normal function |
| CSEL ² | Chip Select Line Selection (Number of active \overline{CS} outputs) 0 0: 3 \overline{CS} lines: $\overline{CS2} \dots \overline{CS0}$ 0 1: 2 \overline{CS} lines: $\overline{CS1} \dots \overline{CS0}$ 1 0: No \overline{CS} line at all 1 1: 5 \overline{CS} lines: $\overline{CS4} \dots \overline{CS0}$ (Default without pull-downs) |
| SALSEL ² | Segment Address Line Selection (Number of active segment address outputs) 0 0: 4-bit segment address: A19...A16 0 1: No segment address lines at all 1 0: 8-bit segment address: A23...A16 1 1: 2-bit segment address: A17...A16 (Default without pull-downs) |
| CLKSEL ¹⁻² | System Clock Selection 000: $f_{CPU} = 2.5 \times f_{OSC}$ 001: $f_{CPU} = 0.5 \times f_{OSC}$ 010: $f_{CPU} = 1.5 \times f_{OSC}$ 011: $f_{CPU} = f_{OSC}$ 100: $f_{CPU} = 5 \times f_{OSC}$ 101: $f_{CPU} = 2 \times f_{OSC}$ 110: $f_{CPU} = 3 \times f_{OSC}$ 111: $f_{CPU} = 4 \times f_{OSC}$ |

- Notes:
1. RP0H.7 to RP0H.5 bits are loaded only during a long hardware reset. As pull-up resistors are active on each Port P0H pins during reset, RP0H default value is "FFh".
 2. These bits are set according to Port 0 configuration during any reset sequence.
 3. RP0H is a read only register.

| EXICON (F1C0h / E0h) | | | | | | | | ESFR | | | | Reset Value: 0000h | | | |
|----------------------|----|--------|----|--------|----|--------|---|--------|---|--------|---|--------------------|---|--------|---|
| 15 | 14 | 13 | 12 | 11 | 10 | 9 | 8 | 7 | 6 | 5 | 4 | 3 | 2 | 1 | 0 |
| EXI7ES | | EXI6ES | | EXI5ES | | EXI4ES | | EXI3ES | | EXI2ES | | EXI1ES | | EXI0ES | |
| RW | | RW | | RW | | RW | | RW | | RW | | RW | | RW | |

| | |
|-----------------|---|
| EXIxES(x=7...0) | External Interrupt x Edge Selection Field (x=7...0) |
| | 0 0: Fast external interrupts disabled: standard mode EXxIN pin not taken in account for entering/exiting Power Down mode. |
| | 0 1: Interrupt on positive edge (rising) Enter Power Down mode if EXiIN = '0', exit if EXxIN = '1' (referred as 'high' active level) |
| | 1 0: Interrupt on negative edge (falling) Enter Power Down mode if EXiIN = '1', exit if EXxIN = '0' (referred as 'low' active level) |
| | 1 1: Interrupt on any edge (rising or falling) Always enter Power Down mode, exit if EXxIN level changed. |

| EXISEL (F1DAh / EDh) | | | | | | | | ESFR | | | | Reset Value: 0000h | | | |
|----------------------|----|--------|----|--------|----|--------|---|--------|---|--------|---|--------------------|---|--------|---|
| 15 | 14 | 13 | 12 | 11 | 10 | 9 | 8 | 7 | 6 | 5 | 4 | 3 | 2 | 1 | 0 |
| EXI7SS | | EXI6SS | | EXI5SS | | EXI4SS | | EXI3SS | | EXI2SS | | EXI1SS | | EXI0SS | |
| RW | | RW | | RW | | RW | | RW | | RW | | RW | | RW | |

| | |
|--------|--|
| EXIxSS | External Interrupt x Source Selection (x=7...0) |
| | '00': Input from associated Port 2 pin. |
| | '01': Input from "alternate source". |
| | '10': Input from Port 2 pin ORed with "alternate source". |
| | '11': Input from Port 2 pin ANDed with "alternate source". |

| EXIxSS | Port 2 pin | Alternate Source |
|--------|------------|------------------|
| 0 | P2.8 | CAN1_RxD |
| 1 | P2.9 | CAN2_RxD |
| 2 | P2.10 | RTCSI |
| 3 | P2.11 | RTCAI |
| 4...7 | P2.12...15 | Not used (zero) |

| XP3IC (F19Eh / CFh) ¹ | | | | | | | | ESFR | | | | Reset Value: --00h | | | |
|----------------------------------|----|----|----|----|----|---|---|-------|-------|---------|---|--------------------|------|---|---|
| 15 | 14 | 13 | 12 | 11 | 10 | 9 | 8 | 7 | 6 | 5 | 4 | 3 | 2 | 1 | 0 |
| - | - | - | - | - | - | - | - | XP3IR | XP3IE | XP3ILVL | | | GLVL | | |
| | | | | | | | | RW | RW | RW | | | RW | | |

Note: 1. XP3IC register has the same bit field as xxIC interrupt registers

| xxIC (yyyyh / zzh) | | | | | | | | | | SFR Area | | | Reset Value: --00h | | |
|--------------------|----|----|----|----|----|---|---|------|------|----------|---|---|--------------------|---|---|
| 15 | 14 | 13 | 12 | 11 | 10 | 9 | 8 | 7 | 6 | 5 | 4 | 3 | 2 | 1 | 0 |
| - | - | - | - | - | - | - | - | xxIR | xxIE | ILVL | | | GLVL | | |
| | | | | | | | | RW | RW | RW | | | RW | | |

| Bit | Function |
|------|--|
| GLVL | Group Level Defines the internal order for simultaneous requests of the same priority. 3: Highest group priority 0: Lowest group priority |
| ILVL | Interrupt Priority Level Defines the priority level for the arbitration of requests. Fh: Highest priority level 0h: Lowest priority level |
| xxIE | Interrupt Enable Control Bit (individually enables/disables a specific source) '0': Interrupt Request is disabled '1': Interrupt Request is enabled |
| xxIR | Interrupt Request Flag '0': No request pending '1': This source has raised an interrupt request |

| XPERCON (F024h / 12h) | | | | | | | | | | ESFR | | | | | Reset Value: --05h | | | | |
|-----------------------|----|----|----|----|----|---|---|---|---|------|-------|---------|---------|--------|--------------------|--|--|--|--|
| 15 | 14 | 13 | 12 | 11 | 10 | 9 | 8 | 7 | 6 | 5 | 4 | 3 | 2 | 1 | 0 | | | | |
| - | - | - | - | - | - | - | - | - | - | - | RTCEN | XRAM2EN | XRAM1EN | CAN2EN | CAN1EN | | | | |
| | | | | | | | | | | | RW | RW | RW | RW | RW | | | | |

| | |
|---------|---|
| CAN1EN | CAN1 Enable Bit '0': Accesses to the on-chip CAN1 XPeripheral and its functions are disabled. P4.5 and P4.6 pins can be used as general purpose I/Os. Address range 00'EF00h-00'EFFh is only directed to external memory if CAN2EN is also '0'. '1': The on-chip CAN1 XPeripheral is enabled and can be accessed. |
| CAN2EN | CAN2 Enable Bit '0': Accesses to the on-chip CAN2 XPeripheral and its functions are disabled. P4.4 and P4.7 pins can be used as general purpose I/Os. Address range 00'EE00h-00'EEFFh is only directed to external memory if CAN1EN is also '0'. '1': The on-chip CAN2 XPeripheral is enabled and can be accessed. |
| XRAM1EN | XRAM1 Enable Bit '0': Accesses to external memory within space 00'E000h to 00'E7FFh. The 2K Bytes of internal XRAM1 are disabled. '1': Accesses to the internal 2K Bytes of XRAM1. |
| XRAM2EN | XRAM2 Enable Bit '0': Accesses to the external memory within space 00'C000h to 00'DFFFh. The 8K Bytes of internal XRAM2 are disabled. '1': Accesses to the internal 8K Bytes of XRAM2. |
| RTCEN | RTC Enable Bit '0': Accesses to the on-chip Real Time Clock are disabled, external access performed. Address range 00'EC00h-00'ECFFh is only directed to external memory if CAN1EN and CAN2EN are '0' also |

'1': The on-chip Real Time Clock is enabled and can be accessed.

When both CAN are disabled via XPERCON setting, then any access in the address range 00'EE00h - 00'EFFFh will be directed to external memory interface, using the BUSCONx register corresponding to address matching ADDRSELx register. P4.4 and P4.7 can be used as General Purpose I/O when CAN2 is not enabled, and P4.5 and P4.6 can be used as General Purpose I/O when CAN1 is not enabled.

The default XPER selection after Reset is identical to XBUS configuration of ST10C167: XCAN1 is enabled, XCAN2 is disabled, XRAM1 (2K Byte compatible XRAM) is enabled, XRAM2 (new 8K Byte XRAM) is disabled.

Register XPERCON cannot be changed after the global enabling of XPeripherals, i.e. after setting of bit XPEN in SYSCON register.

In EMULATION mode, all the XPERipherals are enabled (XPERCON bit are all set).

When the Real Time Clock is disabled (RTCEN = 0), the clock oscillator is switch off if ST10 enters in power-down mode. Otherwise, when the Real Time Clock is enabled, the bit RTCOFF of the RTCCON register allows to choose the power-down mode of the clock oscillator.

21 - ELECTRICAL CHARACTERISTICS

21.1 - Absolute Maximum Ratings

| Symbol | Parameter | Value | Unit |
|------------|---|--------------------------|------|
| V_{DD} | Voltage on V_{DD} pins with respect to ground ¹ | -0.5, +6.5 | V |
| V_{IO} | Voltage on any pin with respect to ground ¹ | -0.5, ($V_{DD} + 0.5$) | V |
| V_{AREF} | Voltage on V_{AREF} pin with respect to ground ¹ | -0.3, ($V_{DD} + 0.3$) | V |
| I_{OV} | Input Current on any pin during overload condition ¹ | -10, +10 | mA |
| I_{TOV} | Absolute Sum of all input currents during overload condition ¹ | 100 | mA |
| P_{tot} | Power Dissipation ¹ | 1.5 | W |
| T_A | Ambient Temperature under bias | -40, +125 | °C |
| T_{stg} | Storage Temperature ¹ | -65, +150 | °C |

Note: 1. Stresses above those listed under "Absolute Maximum Ratings" may cause permanent damage to the device. This is a stress rating only and functional operation of the device at these or any other conditions above those indicated in the operational sections of this specification is not implied. Exposure to absolute maximum rating conditions for extended periods may affect device reliability. During overload conditions ($V_{IN} > V_{DD}$ or $V_{IN} < V_{SS}$) the voltage on pins with respect to ground (V_{SS}) must not exceed the values defined by the Absolute Maximum Ratings.

21.2 - Parameter Interpretation

The parameters listed in the following tables represent the characteristics of the ST10F269 and its demands on the system. Where the ST10F269 logic provides signals with their respective timing characteristics, the symbol "CC" for Controller Characteristics, is included in the "Symbol" column.

Where the external system must provide signals with their respective timing characteristics to the ST10F269, the symbol "SR" for System Requirement, is included in the "Symbol" column.

21.3 - DC Characteristics

$V_{DD} = 5V \pm 10\%$, $V_{SS} = 0V$, Reset active, $f_{CPU} = 40MHz$ with $T_A = -40$ to $+125^\circ C$ (PQFP144 devices) or $f_{CPU} = 32MHz$ with $T_A = -40$ to $+125^\circ C$ (TQFP144 devices)

| Symbol | Parameter | Test Conditions | Min. | Max. | Unit |
|--------------|---|------------------|--------------------|--------------------|------|
| V_{IL} SR | Input low voltage | – | -0.5 | $0.2 V_{DD} - 0.1$ | V |
| V_{ILS} SR | Input low voltage (special threshold) | – | -0.5 | 2.0 | V |
| V_{IH} SR | Input high voltage (all except \overline{RSTIN} and XTAL1) | – | $0.2 V_{DD} + 0.9$ | $V_{DD} + 0.5$ | V |
| V_{IH1} SR | Input high voltage \overline{RSTIN} | – | $0.6 V_{DD}$ | $V_{DD} + 0.5$ | V |
| V_{IH2} SR | Input high voltage XTAL1 | – | $0.7 V_{DD}$ | $V_{DD} + 0.5$ | V |
| V_{IHS} SR | Input high voltage (special threshold) | – | $0.8 V_{DD} - 0.2$ | $V_{DD} + 0.5$ | V |
| HYS | Input Hysteresis (special threshold) | 3 | 250 | – | mV |
| V_{OL} CC | Output low voltage (PORT0, PORT1, Port 4, ALE, RD, WR, BHE, CLKOUT, RSTOUT) | $I_{OL} = 2.4mA$ | – | 0.45 | V |

| Symbol | Parameter | Test Conditions | Min. | Max. | Unit | |
|-------------|---|-----------------|---|---------------------|---------------------------|------------------|
| V_{OL1} | Output low voltage (all other outputs) | 1 | $I_{OL1} = 1.6\text{mA}$ | – | 0.45 | V |
| V_{OH} | Output high voltage (PORT0, PORT1, Port4, ALE, \overline{RD} , \overline{WR} , \overline{BHE} , CLKOUT, \overline{RSTOUT}) | 1 | $I_{OH} = -500\mu\text{A}$ $I_{OH} = -2.4\text{mA}$ | $0.9 V_{DD}$ 2.4 | – – | V |
| V_{OH1} | Output high voltage (all other outputs) | 1/2 | $I_{OH} = -250\mu\text{A}$ $I_{OH} = -1.6\text{mA}$ | $0.9 V_{DD}$ 2.4 | – – | V V |
| $ I_{OZ1} $ | Input leakage current (Port 5) | | $0\text{V} < V_{IN} < V_{DD}$ | – | 200 | nA |
| $ I_{OZ2} $ | Input leakage current (all other) | | $0\text{V} < V_{IN} < V_{DD}$ | – | 1 | μA |
| $ I_{OV} $ | Overload current | 3/4 | | – | 5 | mA |
| R_{RST} | \overline{RSTIN} pull-up resistor | 3 | – | 50 | 250 | $\text{k}\Omega$ |
| I_{RWH} | Read / Write inactive current | 5/6 | $V_{OUT} = 2.4\text{V}$ | – | -40 | μA |
| I_{RWL} | Read / Write active current | 5/7 | $V_{OUT} = V_{OLmax}$ | -500 | – | μA |
| I_{ALEL} | ALE inactive current | 5/6 | $V_{OUT} = V_{OLmax}$ | 40 | – | μA |
| I_{ALEH} | ALE active current | 5/7 | $V_{OUT} = 2.4\text{V}$ | – | 500 | μA |
| I_{P6H} | Port 6 inactive current | 5/6 | $V_{OUT} = 2.4\text{V}$ | – | -40 | μA |
| I_{P6L} | Port 6 active current | 5/7 | $V_{OUT} = V_{OL1max}$ | -500 | – | μA |
| I_{POH} | PORT0 configuration current | 5/6 | $V_{IN} = V_{IHmin}$ | – | -10 | μA |
| I_{POL} | | 5/7 | $V_{IN} = V_{ILmax}$ | -100 | – | μA |
| $ I_{IL} $ | XTAL1 input current | | $0\text{V} < V_{IN} < V_{DD}$ | – | 20 | μA |
| gm | On-chip oscillator transconductance | 3 | | 5 | - | mA/V |
| C_{IO} | Pin capacitance (digital inputs / outputs) | 3/5 | $f = 1\text{MHz}$, $T_A = 25^\circ\text{C}$ | – | 10 | pF |
| I_{CC} | Power supply current (PQFP144 devices) | 8 | $RSTIN = V_{IH1}$ f_{CPU} in [MHz] | – | $20 + 2.5 \times f_{CPU}$ | mA |
| | Power supply current (TQFP144 devices) | | | – | $20 + 2.3 \times f_{CPU}$ | mA |
| I_{ID} | Idle mode supply current | 9 | $RSTIN = V_{IH1}$ f_{CPU} in [MHz] | – | $20 + f_{CPU}$ | mA |
| I_{PD} | Power-down mode supply current | 10 | $V_{DD} = 5.5\text{V}$ $T_A = 25^\circ\text{C}$ $T_A = 85^\circ\text{C}$ $T_A = 125^\circ\text{C}$ | – | 15^{11} | μA |
| | | | | – | 50^{11} | μA |
| | | | | – | 190^{11} | μA |
| | | | | – | | |

| Symbol | Parameter | Test Conditions | Min. | Max. | Unit |
|-----------|--|---|------|-------------------|------|
| I_{PD2} | Power-down mode supply current (Real time clock enabled, oscillator enabled) | $V_{DD} = 5.5V$ $T_A = 55^{\circ}C$ $f_{OSC} = 25MHz$ | – | $2 + f_{OSC} / 4$ | mA |

Notes: 1. ST10F269 pins are equipped with low-noise output drivers which significantly improve the device's EMI performance. These low-noise drivers deliver their maximum current only until the respective target output level is reached. After this, the output current is reduced. This results in increased impedance of the driver, which attenuates electrical noise from the connected PCB tracks. The current specified in column "Test Conditions" is delivered in any cases.

2. This specification is not valid for outputs which are switched to open drain mode. In this case the respective output will float and the voltage results from the external circuitry.

3. Partially tested, guaranteed by design characterization.

4. Overload conditions occur if the standard operating conditions are exceeded, i.e. the voltage on any pin exceeds the specified range (i.e. $V_{OV} > V_{DD} + 0.5V$ or $V_{OV} < -0.5V$). The absolute sum of input overload currents on all port pins may not exceed 50mA. The supply voltage must remain within the specified limits.

5. This specification is only valid during Reset, or during Hold-mode or Adapt-mode. Port 6 pins are only affected if they are used for \overline{CS} output and if their open drain function is not enabled.

6. The maximum current may be drawn while the respective signal line remains inactive.

7. The minimum current must be drawn in order to drive the respective signal line active.

8. The power supply current is a function of the operating frequency. This dependency is illustrated in Figure 65 and Figure 65. These parameters are tested at V_{DDmax} and 40MHz (or 32MHz) CPU clock with all outputs disconnected and all inputs at VIL or VIH. The chip is configured with a demultiplexed 16-bit bus, direct clock drive, 5 chip select lines and 2 segment address lines, \overline{EA} pin is low during reset. After reset, PORT 0 is driven with the value '00CCh' that produces infinite execution of NOP instruction with 15 wait-states, R/W delay, memory tristate wait state, normal ALE. Peripherals are not activated.

9. Idle mode supply current is a function of the operating frequency. This dependency is illustrated in the Figure 65. These parameters are tested at V_{DDmax} and 40MHz (or 32MHz) CPU clock with all outputs disconnected and all inputs at VIL or VIH.

10. This parameter value includes leakage currents. With all inputs (including pins configured as inputs) at 0V to 0.1V or at $V_{DD} - 0.1V$ to V_{DD} , $V_{REF} = 0V$, all outputs (including pins configured as outputs) disconnected.

11. Typical I_{PD} value is 5 μA @ $T_A = 25^{\circ}C$, 20 μA @ $T_A = 85^{\circ}C$ and 60 μA @ $T_A = 125^{\circ}C$.

12. Partially tested, guaranteed by design characterization using 22pF loading capacitors on crystal pins.

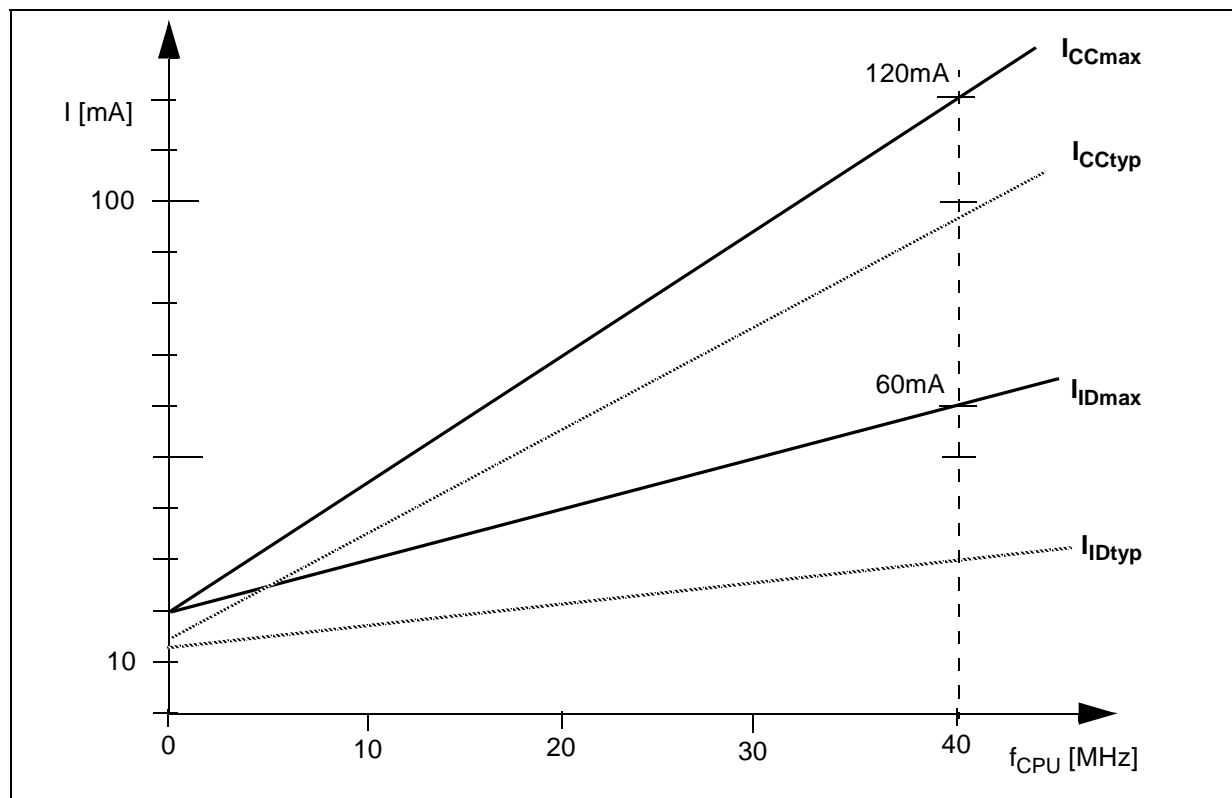
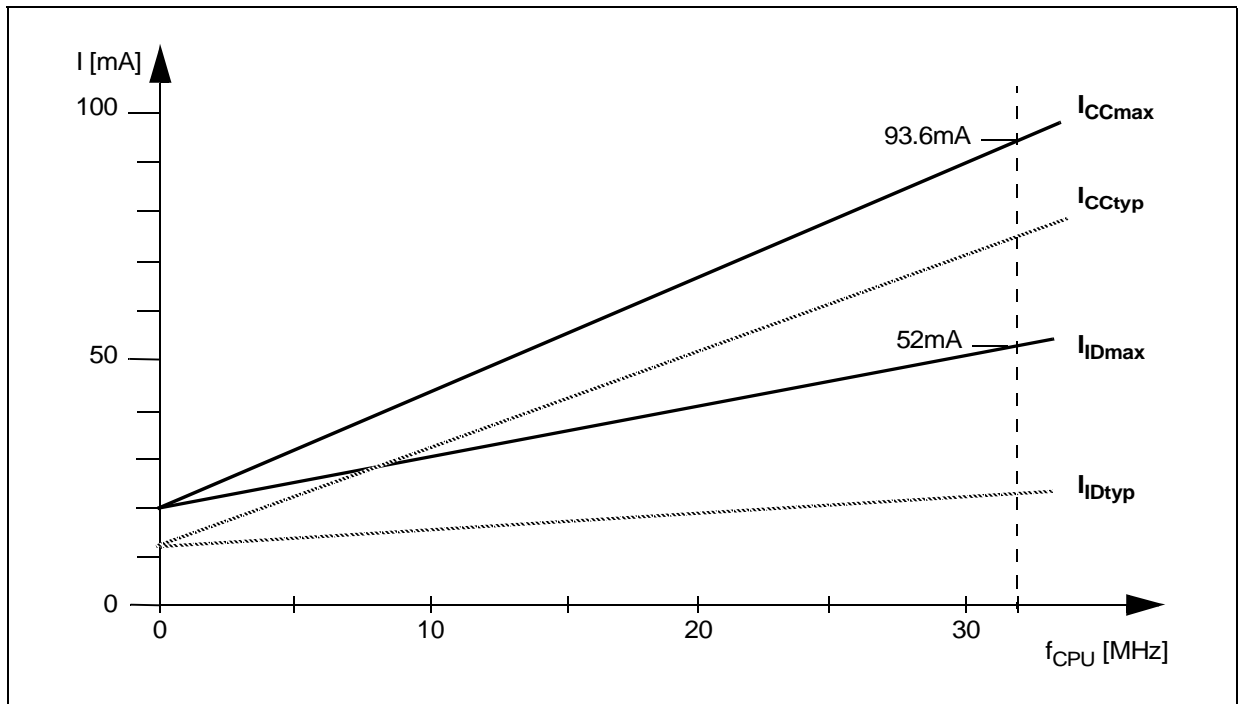
Figure 64 : Supply / Idle Current as a Function of Operating Frequency (PQFP144 devices)

Figure 65 : Supply / Idle Current as a Function of Operating Frequency (TQFP144 devices)



21.3.1 - A/D Converter Characteristics

$V_{DD} = 5V \pm 10\%$, $V_{SS} = 0V$, $T_A = -40$ to $+85^\circ\text{C}$ or -40 to $+125^\circ\text{C}$, $4.0V \leq V_{AREF} \leq V_{DD} + 0.1V$; $V_{SS}0.1V \leq V_{AGND} \leq V_{SS} + 0.2V$

Table 41 : A/D Converter Characteristics

| Symbol | Parameter | Test Condition | Limit Values | | Unit |
|------------|-----------|---|------------------------------|--------------------------|--------------------------------|
| | | | minimum | maximum | |
| V_{AREF} | SR | Analog Reference voltage | 4.0 | $V_{DD} + 0.1$ | V |
| V_{AIN} | SR | Analog input voltage | $1 - 8$ | V_{AGND} / V_{AREF} | V |
| I_{AREF} | CC | Reference supply current running mode power-down mode | 7 | – / 500 / 1 | μA μA |
| C_{AIN} | CC | ADC input capacitance Not sampling Sampling | 7 | – / 10 / 15 | pF pF |
| t_S | CC | Sample time | $2 - 4$ | 48 TCL / 1 536 TCL | |
| t_C | CC | Conversion time | $3 - 4$ | 388 TCL / 2 884 TCL | |
| DNL | CC | Differential Nonlinearity | 5 | -0.5 / +0.5 | LSB |
| INL | CC | Integral Nonlinearity | 5 | -1.5 / +1.5 | LSB |
| OFS | CC | Offset Error | 5 | -1.0 / +1.0 | LSB |
| TUE | CC | Total unadjusted error | 5 | -2.0 / +2.0 | LSB |
| R_{ASRC} | SR | Internal resistance of analog source | t_S in [ns] ²⁻⁷ | – / $(t_S / 150) - 0.25$ | k Ω |
| K | CC | Coupling Factor between inputs | $6 - 7$ | – / 1/500 | |

Notes: 1. V_{AIN} may exceed V_{AGND} or V_{AREF} up to the absolute maximum ratings. However, the conversion result in these cases will be X000h or X3FFh, respectively.

2. During the t_S sample time the input capacitance C_{ain} can be charged/discharged by the external source. The internal resistance of the analog source must allow the capacitance to reach its final voltage level within the t_S sample time. After the end of the t_S sample time, changes of the analog input voltage have no effect on the conversion result. Values for the t_{SC} sample clock depend on the programming. Referring to the t_C conversion time formula of Section 21.3.2 - 'Conversion Timing Control' on page 145 and to Table 42 on page 145:

- $t_S \text{ min.} = 2 t_{SC} \text{ min.} = 2 \times 24 \times \text{TCL} = 48 \text{ TCL}$

- $t_S \text{ max.} = 2 t_{SC} \text{ max.} = 2 \times 8 \times t_{CC} \text{ max.} = 2 \times 8 \times 96 \text{ TCL} = 1536 \text{ TCL}$

TCL is defined in Section 21.4.2 -, Section 21.4.4 -, and Section 21.4.5 - 'Direct Drive' on page 149:

3. The conversion time formula is:

- $t_C = 14 t_{CC} + t_S + 4 \text{ TCL} (= 14 t_{CC} + 2 t_{SC} + 4 \text{ TCL})$

The t_C parameter includes the t_S sample time, the time for determining the digital result and the time to load the result register with the result of the conversion. Values for the t_{CC} conversion clock depend on the programming. Referring to Table 42 on page 145:

- $t_C \text{ min.} = 14 t_{CC} \text{ min.} + t_S \text{ min.} + 4 \text{ TCL} = 14 \times 24 \times \text{TCL} + 48 \text{ TCL} + 4 \text{ TCL} = 388 \text{ TCL}$

- $t_C \text{ max.} = 14 t_{CC} \text{ max.} + t_S \text{ max.} + 4 \text{ TCL} = 14 \times 96 \text{ TCL} + 1536 \text{ TCL} + 4 \text{ TCL} = 2884 \text{ TCL}$

4. This parameter is fixed by ADC control logic.

5. DNL, INL, TUE are tested at $V_{AREF} = 5.0V$, $V_{AGND} = 0V$, $V_{CC} = 4.9V$. It is guaranteed by design characterization for all other voltages within the defined voltage range.

'LSB' has a value of $V_{AREF} / 1024$.

The specified TUE is guaranteed only if an overload condition (see I_{OV} specification) occurs on maximum 2 not selected analog input pins and the absolute sum of input overload currents on all analog input pins does not exceed 10mA.

6. The coupling factor is measured on a channel while an overload condition occurs on the adjacent not selected channel with an absolute overload current less than 10mA.

7. Partially tested, guaranteed by design characterization.

8. To remove noise and undesirable high frequency components from the analog input signal, a low-pass filter must be connected at the ADC input. The cut-off frequency of this filter should avoid 2 opposite transitions during the t_S sampling time of the ST10 ADC:

- $f_{\text{cut-off}} \leq 1 / 5 t_S$ to $1 / 10 t_S$

where t_S is the sampling time of the ST10 ADC and is not related to the Nyquist frequency determined by the t_C conversion time.

21.3.2 - Conversion Timing Control

When a conversion is started, first the capacitances of the converter are loaded via the respective analog input pin to the current analog input voltage. The time to load the capacitances is referred to as the sample time t_s . Next the sampled voltage is converted to a digital value in 10 successive steps, which correspond to the 10-bit resolution of the ADC. The next 4 steps are used for equalizing internal levels (and are kept for exact timing matching with the 10-bit A/D converter module implemented in the ST10F168).

The current that has to be drawn from the sources for sampling and changing charges depends on the time that each respective step takes, because the capacitors must reach their final voltage level within the given time, at least with a certain approximation. The maximum current, however, that a source can deliver, depends on its internal resistance.

The sample time t_s ($= 2 t_{SC}$) and the conversion time t_c ($= 14 t_{CC} + 2 t_{SC} + 4 TCL$) can be programmed relatively to the ST10F269 CPU clock. This allows adjusting the A/D converter of the ST10F269 to the properties of the system:

Table 42 : ADC Sampling and Conversion Timing (PQFP144 devices)

| ADCTC | Conversion Clock t_{CC} | | ADSTC | Sample Clock t_{SC} | |
|-------|-----------------------------|----------------------|-------|-----------------------|--|
| | $TCL = 1/2 \times f_{XTAL}$ | At $f_{CPU} = 40MHz$ | | $t_{SC} =$ | At $f_{CPU} = 40MHz$ and ADCTC = 00 |
| 00 | $TCL \times 24$ | $0.3\mu s$ | 00 | t_{CC} | $0.3\mu s$ |
| 01 | Reserved, do not use | Reserved | 01 | $t_{CC} \times 2$ | $0.6\mu s$ |
| 10 | $TCL \times 96$ | $1.2 \mu s$ | 10 | $t_{CC} \times 4$ | $1.2\mu s$ |
| 11 | $TCL \times 48$ | $0.6 \mu s$ | 11 | $t_{CC} \times 8$ | $2.4\mu s$ |

A complete conversion will take $14 t_{CC} + 2 t_{SC} + 4 TCL$ (fastest conversion rate = $4.85\mu s$ at 40MHz). This time includes the conversion itself, the sample time and the time required to transfer the digital value to the result register.

Fast Conversion can be achieved by programming the respective times to their absolute possible minimum. This is preferable for scanning high frequency signals. The internal resistance of analog source and analog supply must be sufficiently low, however.

High Internal Resistance can be achieved by programming the respective times to a higher value, or the possible maximum. This is preferable when using analog sources and supply with a high internal resistance in order to keep the current as low as possible. However the conversion rate in this case may be considerably lower.

The conversion times are programmed via the upper four bit of register ADCON. Bit field ADCTC (conversion time control) selects the basic conversion clock t_{CC} , used for the 14 steps of converting. The sample time t_s is a multiple of this conversion time and is selected by bit field ADSTC (sample time control). The table below lists the possible combinations. The timings refer to the unit TCL, where $f_{CPU} = 1/2TCL$.

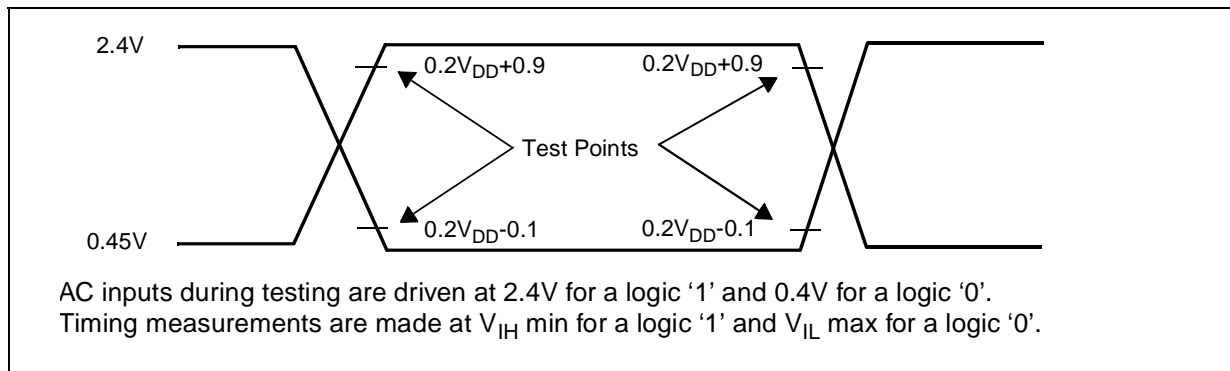
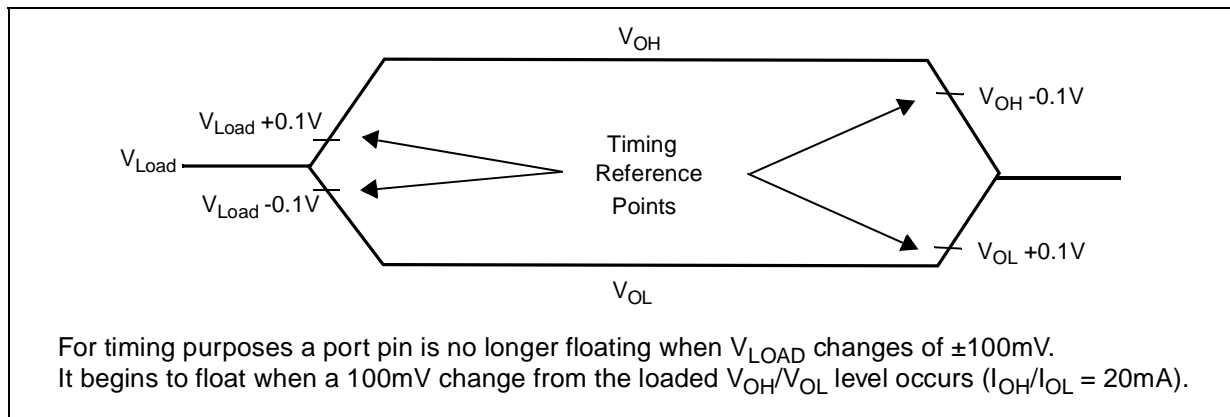
Table 43 : ADC Sampling and Conversion Timing (TQFP144 devices)

| ADCON.15/14 ADCTC | Conversion Clock t_{CC} | | ADCON.13/12 ADSTC | Sample Clock t_{SC} | |
|----------------------|-----------------------------|----------------------|----------------------|-----------------------|--|
| | $TCL = 1/2 \times f_{XTAL}$ | At $f_{CPU} = 32MHz$ | | $t_{SC} =$ | At $f_{CPU} = 32MHz$ and $ADCTC = 00$ |
| 00 | $TCL \times 24$ | $0.375\mu s$ | 00 | t_{CC} | $0.375\mu s$ |
| 01 | Reserved, do not use | Reserved | 01 | $t_{CC} \times 2$ | $0.75\mu s$ |
| 10 | $TCL \times 96$ | $1.5 \mu s$ | 10 | $t_{CC} \times 4$ | $1.50\mu s$ |
| 11 | $TCL \times 48$ | $0.75 \mu s$ | 11 | $t_{CC} \times 8$ | $3.00\mu s$ |

A complete conversion will take $14 t_{CC} + 2 t_{SC} + 4 TCL$ (fastest conversion rate = $6.06\mu s$ at 32MHz). This time includes the conversion itself, the sample time and the time required to transfer the digital value to the result register.

21.4 - AC characteristics

21.4.1 - Test Waveforms

Figure 66 : Input / Output Waveforms**Figure 67** : Float Waveforms

21.4.2 - Definition of Internal Timing

The internal operation of the ST10F269 is controlled by the internal CPU clock f_{CPU} . Both edges of the CPU clock can trigger internal (for

example pipeline) or external (for example bus cycles) operations.

The specification of the external timing (AC Characteristics) therefore depends on the time

between two consecutive edges of the CPU clock, called "TCL".

The CPU clock signal can be generated by different mechanisms. The duration of TCL and its variation (and also the derived external timing)

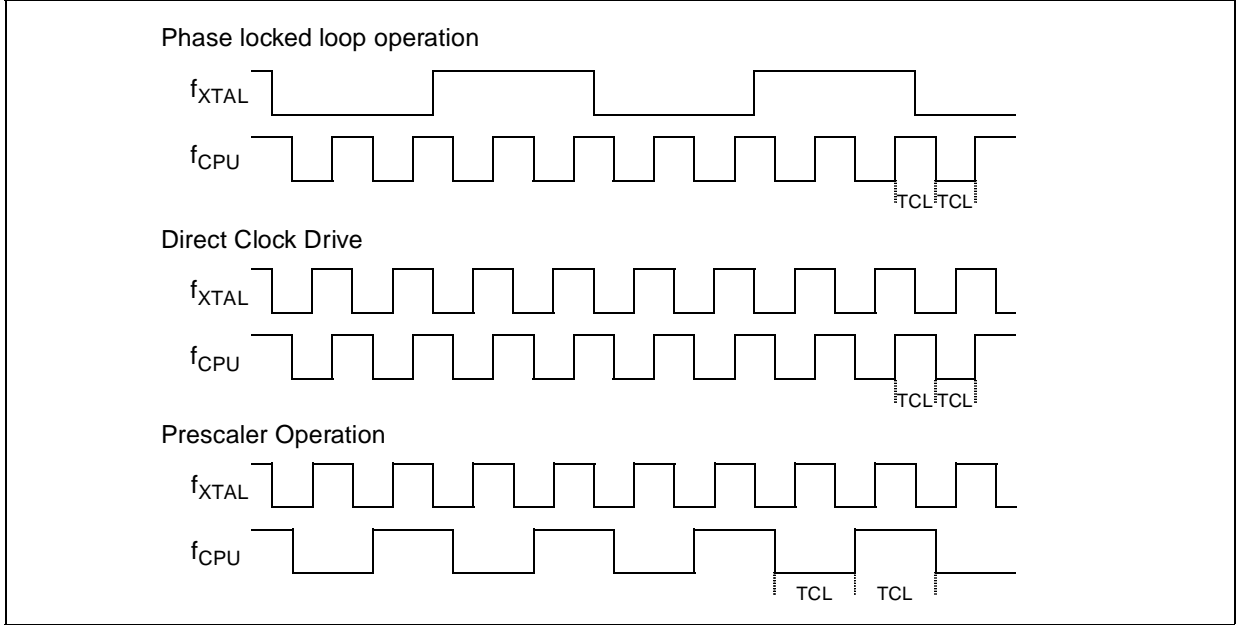
The mechanism used to generate the CPU clock is selected during reset by the logic levels on pins P0.15-13 (P0H.7-5).

depends on the mechanism used to generate f_{CPU} .

This influence must be regarded when calculating the timings for the ST10F269.

The example for PLL operation shown in Figure 68 refers to a PLL factor of 4.

Figure 68 : Generation Mechanisms for the CPU Clock



21.4.3 - Clock Generation Modes

The Table 44 associates the combinations of these three bits with the respective clock generation mode.

Table 44 : CPU Frequency Generation (PQFP144 devices)

| P0H.7 | P0H.6 | P0H.5 | CPU Frequency $f_{CPU} = f_{XTAL} \times F$ | External Clock Input Range ¹ | Notes |
|-------|-------|-------|---|---|--------------------------------------|
| 1 | 1 | 1 | $f_{XTAL} \times 4$ | 2.5 to 10MHz | Default configuration |
| 1 | 1 | 0 | $f_{XTAL} \times 3$ | 3.33 to 13.33MHz | |
| 1 | 0 | 1 | $f_{XTAL} \times 2$ | 5 to 20MHz | |
| 1 | 0 | 0 | $f_{XTAL} \times 5$ | 2 to 8MHz | |
| 0 | 1 | 1 | $f_{XTAL} \times 1$ | 1 to 40MHz | Direct drive ² |
| 0 | 1 | 0 | $f_{XTAL} \times 1.5$ | 6.66 to 26.66MHz | |
| 0 | 0 | 1 | $f_{XTAL} \times 0.5$ | 2 to 80MHz | CPU clock via prescaler ³ |
| 0 | 0 | 0 | $f_{XTAL} \times 2.5$ | 4 to 16MHz | |

Notes: 1. The external clock input range refers to a CPU clock range of 1...40MHz.

2. The maximum input frequency depends on the duty cycle of the external clock signal.

3. The maximum input frequency is 25MHz when using an external crystal with the internal oscillator; providing that internal serial resistance of the crystal is less than 40Ω. However, higher frequencies can be applied with an external clock source on pin XTAL1, but in this case, the input clock signal must reach the defined levels V_{IL} and V_{IH2} .

Table 45 : CPU Frequency Generation (TQFP144 devices)

| P0H.7 | P0H.6 | P0H.5 | CPU Frequency $f_{CPU} = f_{XTAL} \times F$ | External Clock Input Range ¹ | Notes |
|-------|-------|-------|---|---|--------------------------------------|
| 1 | 1 | 1 | $f_{XTAL} \times 4$ | 2.5 to 8MHz | Default configuration |
| 1 | 1 | 0 | $f_{XTAL} \times 3$ | 3.33 to 10.67MHz | |
| 1 | 0 | 1 | $f_{XTAL} \times 2$ | 5 to 16MHz | |
| 1 | 0 | 0 | $f_{XTAL} \times 5$ | 2 to 6.4MHz | |
| 0 | 1 | 1 | $f_{XTAL} \times 1$ | 1 to 32MHz | Direct drive ² |
| 0 | 1 | 0 | $f_{XTAL} \times 1.5$ | 6.67 to 21.33MHz | |
| 0 | 0 | 1 | $f_{XTAL} \times 0.5$ | 2 to 64MHz | CPU clock via prescaler ³ |
| 0 | 0 | 0 | $f_{XTAL} \times 2.5$ | 4 to 12.8MHz | |

Notes: 1. The external clock input range refers to a CPU clock range of 1...32MHz.

2. The maximum input frequency depends on the duty cycle of the external clock signal.

3. The maximum input frequency is 32MHz when using an external crystal with the internal oscillator; providing that internal serial resistance of the crystal is less than 40Ω. However, higher frequencies can be applied with an external clock source on pin XTAL1, but in this case, the input clock signal must reach the defined levels V_{IL} and V_{IH2} .

21.4.4 - Prescaler Operation

When pins P0.15-13 (P0H.7-5) equal '001' during reset, the CPU clock is derived from the internal oscillator (input clock signal) by a 2:1 prescaler.

The frequency of f_{CPU} is half the frequency of f_{XTAL} and the high and low time of f_{CPU} (i.e. the duration of an individual TCL) is defined by the period of the input clock f_{XTAL} .

The timings listed in the AC Characteristics that refer to TCL therefore can be calculated using the period of f_{XTAL} for any TCL.

Note that if the bit OWDDIS in SYSCON register is cleared, the PLL runs on its free-running frequency and delivers the clock signal for the Oscillator Watchdog. If bit OWDDIS is set, then the PLL is switched off.

21.4.5 - Direct Drive

When pins P0.15-13 (P0H.7-5) equal '011' during reset the on-chip phase locked loop is disabled and the CPU clock is directly driven from the internal oscillator with the input clock signal.

The frequency of f_{CPU} directly follows the frequency of f_{XTAL} so the high and low time of f_{CPU} (i.e. the duration of an individual TCL) is defined by the duty cycle of the input clock f_{XTAL} .

Therefore, the timings given in this chapter refer to the minimum TCL. This minimum value can be calculated by the following formula:

$$TCL_{min} = 1/f_{XTAL} \times DC_{min}$$

DC = duty cycle

For two consecutive TCLs, the deviation caused by the duty cycle of f_{XTAL} is compensated, so the duration of 2TCL is always $1/f_{XTAL}$.

The minimum value TCL_{min} has to be used only once for timings that require an odd number of TCLs (1,3,...). Timings that require an even number of TCLs (2,4,...) may use the formula:

$$2TCL = 1/f_{XTAL}$$

Note: The address float timings in Multiplexed bus mode (t_{11} and t_{45}) use the maximum duration of TCL ($TCL_{max} = 1/f_{XTAL} \times DC_{max}$) instead of TCL_{min} .

If the bit OWDDIS in SYSCON register is cleared, the PLL runs on its free-running frequency and delivers the clock signal for the Oscillator Watchdog. If bit OWDDIS is set, then the PLL is switched off.

21.4.6 - Oscillator Watchdog (OWD)

An on-chip watchdog oscillator is implemented in the ST10F269. This feature is used for safety operation with external crystal oscillator (using direct drive mode with or without prescaler). This watchdog oscillator operates as following:

The reset default configuration enables the watchdog oscillator. It can be disabled by setting the OWDDIS (bit 4) of SYSCON register.

When the OWD is enabled, the PLL runs at its free-running frequency, and it increments the watchdog counter. The PLL free-running frequency is between 2 and 10MHz. On each transition of external clock, the watchdog counter is cleared. If an external clock failure occurs, then the watchdog counter overflows (after 16 PLL clock cycles).

The CPU clock signal will be switched to the PLL free-running clock signal, and the oscillator watchdog Interrupt Request (XP3INT) is flagged. The CPU clock will not switch back to the external clock even if a valid external clock exits on XTAL1 pin. Only a hardware reset can switch the CPU clock source back to direct clock input.

When the OWD is disabled, the CPU clock is always external oscillator clock and the PLL is switched off to decrease consumption supply current.

21.4.7 - Phase Locked Loop

For all other combinations of pins P0.15-13 (P0H.7-5) during reset the on-chip phase locked loop is enabled and it provides the CPU clock (see Table 44 and Table 45). The PLL multiplies the input frequency by the factor F which is selected via the combination of pins P0.15-13 ($f_{CPU} = f_{XTAL} \times F$). With every F'th transition of f_{XTAL} the PLL circuit synchronizes the CPU clock to the input clock. This synchronization is done smoothly, so the CPU clock frequency does not change abruptly.

Due to this adaptation to the input clock the frequency of f_{CPU} is constantly adjusted so it is locked to f_{XTAL} . The slight variation causes a jitter of f_{CPU} which also effects the duration of individual TCLs.

The timings listed in the AC Characteristics that refer to TCLs therefore must be calculated using the minimum TCL that is possible under the respective circumstances.

The real minimum value for TCL depends on the jitter of the PLL. The PLL tunes f_{CPU} to keep it locked on f_{XTAL} . The relative deviation of TCL is the maximum when it is referred to one TCL period. It decreases according to the formula and to the Figure 69 given below. For N periods of TCL the minimum value is computed using the corresponding deviation D_N :

$$\text{TCL}_{\text{MIN}} = \text{TCL}_{\text{NOM}} \times \left(1 - \frac{D_N}{100} \right)$$

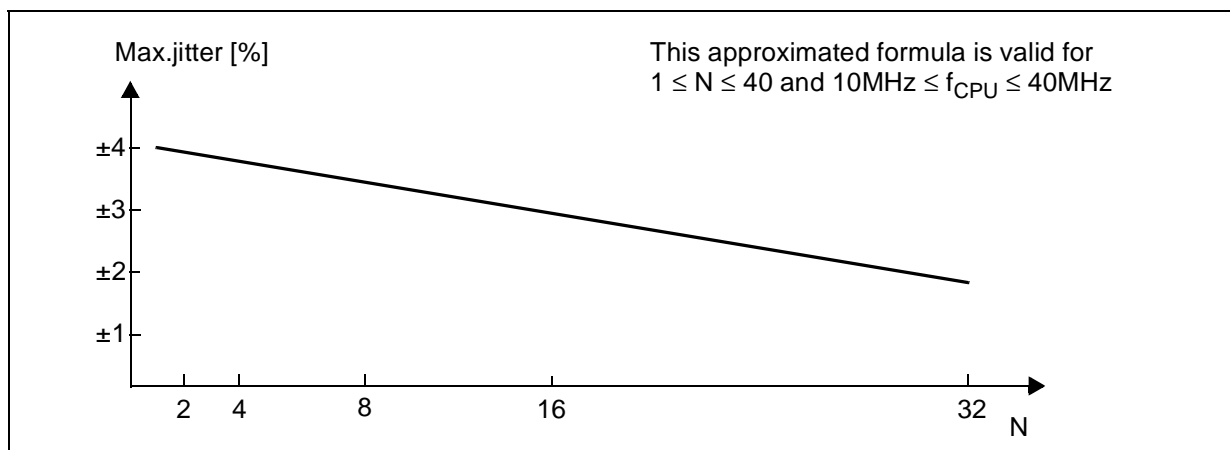
$$D_N = \pm(4 - N/15)[\%]$$

where N = number of consecutive TCL periods and $1 \leq N \leq 40$. So for a period of 3 TCL periods ($N = 3$):

$$\begin{aligned} D_3 &= 4 - 3/15 = 3.8\% \\ 3\text{TCL}_{\text{min}} &= 3\text{TCL}_{\text{NOM}} \times (1 - 3.8/100) \\ &= 3\text{TCL}_{\text{NOM}} \times 0.962 \\ 3\text{TCL}_{\text{min}} &= 36.075\text{ns} \text{ (at } f_{\text{CPU}} = 40\text{MHz)} \\ 3\text{TCL}_{\text{min}} &= 45.1\text{ns} \text{ (at } f_{\text{CPU}} = 32\text{MHz)} \end{aligned}$$

This is especially important for bus cycles using wait states and e.g. for the operation of timers, serial interfaces, etc. For all slower operations and longer periods (e.g. pulse train generation or measurement, lower Baud rates, etc.) the deviation caused by the PLL jitter is negligible.

Figure 69 : Approximated Maximum PLL Jitter



21.4.8 - External Clock Drive XTAL1

$V_{\text{DD}} = 5\text{V} \pm 10\%$, $V_{\text{SS}} = 0\text{V}$, $T_A = -40$ to $+125$ °C (PQFP144 devices)

| Parameter | Symbol | $f_{\text{CPU}} = f_{\text{XTAL}}$ | | $f_{\text{CPU}} = f_{\text{XTAL}} / 2$ | | $f_{\text{CPU}} = f_{\text{XTAL}} \times F$ $F = 1.5/2, 2.5/3/4/5$ | | Unit |
|-------------------|---------------------|------------------------------------|----------------|--|----------------|---|----------------|------|
| | | min | max | min | max | min | max | |
| Oscillator period | t_{OSC} SR | 25 ¹ | – | 12.5 | – | 40 x N | 100 x N | ns |
| High time | t_1 SR | 10 ² | – | 5 ² | – | 10 ² | – | ns |
| Low time | t_2 SR | 10 ² | – | 5 ² | – | 10 ² | – | ns |
| Rise time | t_3 SR | – | 3 ² | – | 3 ² | – | 3 ² | ns |
| Fall time | t_4 SR | – | 3 ² | – | 3 ² | – | 3 ² | ns |

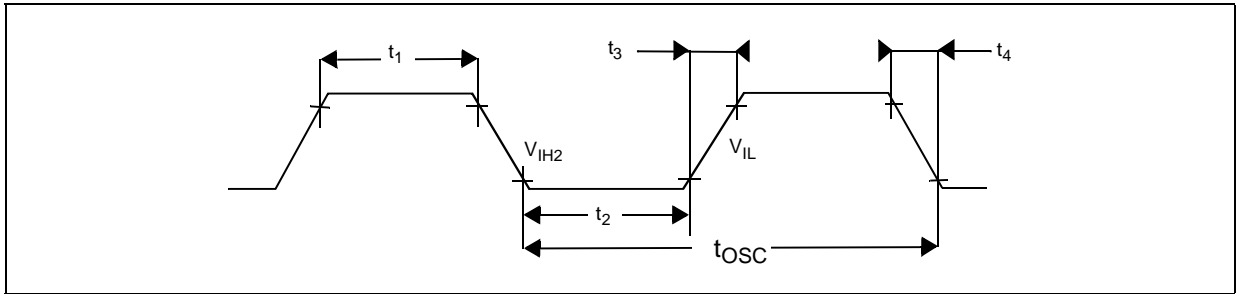
Notes: 1. Theoretical minimum. The real minimum value depends on the duty cycle of the input clock signal. 25MHz is the maximum input frequency when using an external crystal oscillator. However, 40MHz can be applied with an external clock source.
2. The input clock signal must reach the defined levels V_{IL} and V_{IH2} .

$V_{DD} = 5V \pm 10\%$, $V_{SS} = 0V$, $T_A = -40$ to $+125\text{ }^\circ\text{C}$ (TQFP144 devices)

| Parameter | Symbol | $f_{CPU} = f_{XTAL}$ | | $f_{CPU} = f_{XTAL} / 2$ | | $f_{CPU} = f_{XTAL} \times F$ $F = 1.5/2, 2.5/3/4/5$ | | Unit |
|-------------------|--------------|----------------------|-----------|--------------------------|----------|---|-----------|------|
| | | Minimum | Maximum | Minimum | Maximum | Minimum | Maximum | |
| Oscillator period | t_{OSC} SR | 31.25^1 | – | 15.625 | – | $31.25 \times N$ | – | ns |
| High time | t_1 SR | 12.5^2 | – | 6.25^2 | – | 12.5^2 | – | ns |
| Low time | t_2 SR | 12.5^2 | – | 6.25^2 | – | 12.5^2 | – | ns |
| Rise time | t_3 SR | – | 3.125^2 | – | 1.56^2 | – | 3.125^2 | ns |
| Fall time | t_4 SR | – | 3.125^2 | – | 1.56^2 | – | 3.125^2 | ns |

1. Theoretical minimum. The real minimum value depends on the duty cycle of the input clock signal. 32MHz is the maximum input frequency when using an external crystal oscillator. However, 32MHz can be applied with an external clock source.
2. The input clock signal must reach the defined levels V_{IL} and V_{IH2} .

Figure 70 : External Clock Drive XTAL1



21.4.9 - Memory Cycle Variables

The tables below use three variables which are derived from the BUSCONx registers and represent the special characteristics of the programmed memory cycle. The following table describes, how these variables are to be computed.

| Description | Symbol | Values |
|-------------------------------|--------|-----------------------------|
| ALE Extension | t_A | $TCL \times [ALECTL]$ |
| Memory Cycle Time wait states | t_C | $2TCL \times (15 - [MCTC])$ |
| Memory Tri-state Time | t_F | $2TCL \times (1 - [MTTC])$ |

21.4.10 - Multiplexed Bus

$V_{DD} = 5V \pm 10\%$, $V_{SS} = 0V$, $T_A = -40$ to $+125^\circ C$, $C_L = 50pF$,
 ALE cycle time = $6 \text{ TCL} + 2t_A + t_C + t_F$ (75ns at 40MHz CPU clock without wait states, PQFP144 devices).

Table 46 : Multiplexed Bus Characteristics (PQFP144 devices)

| Symbol | Parameter | Max. CPU Clock = 40MHz | | Variable CPU Clock 1/2 TCL = 1 to 40MHz | | Unit |
|-----------------|--|---------------------------|---------------------|--|-----------------------------------|------|
| | | min. | max. | min. | max. | |
| t ₅ | CC ALE high time | $4 + t_A$ | – | $\text{TCL} - 8.5 + t_A$ | – | ns |
| t ₆ | CC Address setup to ALE | $2 + t_A$ | – | $\text{TCL} - 10.5 + t_A$ | – | ns |
| t ₇ | CC Address hold after ALE 1 | $4 + t_A$ | – | $\text{TCL} - 8.5 + t_A$ | – | ns |
| t ₈ | CC ALE falling edge to \overline{RD} , \overline{WR} (with RW-delay) | $4 + t_A$ | – | $\text{TCL} - 8.5 + t_A$ | – | ns |
| t ₉ | CC ALE falling edge to \overline{RD} , \overline{WR} (no RW-delay) | $-8.5 + t_A$ | – | $-8.5 + t_A$ | – | ns |
| t ₁₀ | CC Address float after \overline{RD} , \overline{WR} (with RW-delay) 1 | – | 6 | – | 6 | ns |
| t ₁₁ | CC Address float after \overline{RD} , \overline{WR} (no RW-delay) 1 | – | 18.5 | – | $\text{TCL} + 6$ | ns |
| t ₁₂ | CC \overline{RD} , \overline{WR} low time (with RW-delay) | $15.5 + t_C$ | – | $2 \text{ TCL} - 9.5 + t_C$ | – | ns |
| t ₁₃ | CC \overline{RD} , \overline{WR} low time (no RW-delay) | $28 + t_C$ | – | $3 \text{ TCL} - 9.5 + t_C$ | – | ns |
| t ₁₄ | SR \overline{RD} to valid data in (with RW-delay) | – | $6 + t_C$ | – | $2 \text{ TCL} - 19 + t_C$ | ns |
| t ₁₅ | SR \overline{RD} to valid data in (no RW-delay) | – | $18.5 + t_C$ | – | $3 \text{ TCL} - 19 + t_C$ | ns |
| t ₁₆ | SR ALE low to valid data in | – | $18.5 + t_A + t_C$ | – | $3 \text{ TCL} - 19 + t_A + t_C$ | ns |
| t ₁₇ | SR Address/Unlatched \overline{CS} to valid data in | – | $22 + 2t_A + t_C$ | – | $4 \text{ TCL} - 28 + 2t_A + t_C$ | ns |
| t ₁₈ | SR Data hold after \overline{RD} rising edge | 0 | – | 0 | – | ns |
| t ₁₉ | SR Data float after \overline{RD} 1 | – | $16.5 + t_F$ | – | $2 \text{ TCL} - 8.5 + t_F$ | ns |
| t ₂₂ | CC Data valid to \overline{WR} | $10 + t_C$ | – | $2 \text{ TCL} - 15 + t_C$ | – | ns |
| t ₂₃ | CC Data hold after \overline{WR} | $4 + t_F$ | – | $2 \text{ TCL} - 8.5 + t_F$ | – | ns |
| t ₂₅ | CC ALE rising edge after \overline{RD} , \overline{WR} | $15 + t_F$ | – | $2 \text{ TCL} - 10 + t_F$ | – | ns |
| t ₂₇ | CC Address/Unlatched \overline{CS} hold after \overline{RD} , \overline{WR} | $10 + t_F$ | – | $2 \text{ TCL} - 15 + t_F$ | – | ns |
| t ₃₈ | CC ALE falling edge to Latched \overline{CS} | $-4 - t_A$ | $10 - t_A$ | $-4 - t_A$ | $10 - t_A$ | ns |
| t ₃₉ | SR Latched \overline{CS} low to Valid Data In | – | $18.5 + t_C + 2t_A$ | – | $3 \text{ TCL} - 19 + t_C + 2t_A$ | ns |
| t ₄₀ | CC Latched \overline{CS} hold after \overline{RD} , \overline{WR} | $27 + t_F$ | – | $3 \text{ TCL} - 10.5 + t_F$ | – | ns |

Table 46 : Multiplexed Bus Characteristics (PQFP144 devices)

| Symbol | Parameter | Max. CPU Clock = 40MHz | | Variable CPU Clock 1/2 TCL = 1 to 40MHz | | Unit |
|-----------------|---|------------------------|--------------|--|-----------------------------|------|
| | | min. | max. | min. | max. | |
| t ₄₂ | CC ALE fall. edge to $\overline{\text{RdCS}}$, $\overline{\text{WrCS}}$ (with RW delay) | $7 + t_A$ | – | $\text{TCL} - 5.5 + t_A$ | – | ns |
| t ₄₃ | CC ALE fall. edge to $\overline{\text{RdCS}}$, $\overline{\text{WrCS}}$ (no RW delay) | $-5.5 + t_A$ | – | $-5.5 + t_A$ | – | ns |
| t ₄₄ | CC Address float after $\overline{\text{RdCS}}$, $\overline{\text{WrCS}}$ (with RW delay) 1 | – | 0 | – | 0 | ns |
| t ₄₅ | CC Address float after $\overline{\text{RdCS}}$, $\overline{\text{WrCS}}$ (no RW delay) 1 | – | 12.5 | – | TCL | ns |
| t ₄₆ | SR $\overline{\text{RdCS}}$ to Valid Data In (with RW delay) | – | $4 + t_C$ | – | $2 \text{ TCL} - 21 + t_C$ | ns |
| t ₄₇ | SR $\overline{\text{RdCS}}$ to Valid Data In (no RW delay) | – | $16.5 + t_C$ | – | $3 \text{ TCL} - 21 + t_C$ | ns |
| t ₄₈ | CC $\overline{\text{RdCS}}$, $\overline{\text{WrCS}}$ Low Time (with RW delay) | $15.5 + t_C$ | – | $2 \text{ TCL} - 9.5 + t_C$ | – | ns |
| t ₄₉ | CC $\overline{\text{RdCS}}$, $\overline{\text{WrCS}}$ Low Time (no RW delay) | $28 + t_C$ | – | $3 \text{ TCL} - 9.5 + t_C$ | – | ns |
| t ₅₀ | CC Data valid to $\overline{\text{WrCS}}$ | $10 + t_C$ | – | $2 \text{ TCL} - 15 + t_C$ | – | ns |
| t ₅₁ | SR Data hold after $\overline{\text{RdCS}}$ | 0 | – | 0 | – | ns |
| t ₅₂ | SR Data float after $\overline{\text{RdCS}}$ 1 | – | $16.5 + t_F$ | – | $2 \text{ TCL} - 8.5 + t_F$ | ns |
| t ₅₄ | CC Address hold after $\overline{\text{RdCS}}$, $\overline{\text{WrCS}}$ | $6 + t_F$ | – | $2 \text{ TCL} - 19 + t_F$ | – | ns |
| t ₅₆ | CC Data hold after $\overline{\text{WrCS}}$ | $6 + t_F$ | – | $2 \text{ TCL} - 19 + t_F$ | – | ns |

Note: 1. Partially tested, guaranteed by design characterization.

ALE cycle time = $6 \text{ TCL} + 2t_A + t_C + t_F$ (187.5ns at 32MHz CPU clock without wait states).

$V_{DD} = 5V \pm 10\%$, $V_{SS} = 0V$, $T_A = -40$ to $+125^\circ\text{C}$, $C_L = 50\text{pF}$,

Table 47 : Multiplexed Bus Characteristics (TQFP144 devices)

| Symbol | Parameter | Maximum CPU Clock = 32MHz | | Variable CPU Clock 1/2 TCL = 1 to 32MHz | | Unit |
|----------------------|--|---------------------------|---------|--|---------|------|
| | | Minimum | Maximum | Minimum | Maximum | |
| t ₅ CC | ALE high time | $5.625 + t_A$ | – | $\text{TCL} - 10 + t_A$ | – | ns |
| t ₆ CC | Address setup to ALE | $0.625 + t_A$ | – | $\text{TCL} - 15 + t_A$ | – | ns |
| t ₇ CC | Address hold after ALE 1 | $5.625 + t_A$ | – | $\text{TCL} - 10 + t_A$ | – | ns |
| t ₈ CC | ALE falling edge to $\overline{\text{RD}}$, $\overline{\text{WR}}$ (with RW-delay) | $5.625 + t_A$ | – | $\text{TCL} - 10 + t_A$ | – | ns |

| Symbol | Parameter | Maximum CPU Clock = 32MHz | | Variable CPU Clock 1/2 TCL = 1 to 32MHz | | Unit |
|-----------------------|--|---------------------------|---|--|--|------|
| | | Minimum | Maximum | Minimum | Maximum | |
| t ₉ CC | ALE falling edge to \overline{RD} , \overline{WR} (no RW-delay) | -10 + t _A | - | -10 + t _A | - | ns |
| t ₁₀ CC | Address float after \overline{RD} , \overline{WR} (with RW-delay) 1 | - | 6 | - | 6 | ns |
| t ₁₁ CC | Address float after \overline{RD} , \overline{WR} (no RW-delay) 1 | - | 21.625 | - | TCL + 6 | ns |
| t ₁₂ CC | \overline{RD} , \overline{WR} low time (with RW-delay) | 21.25 + t _C | - | 2TCL - 10 + t _C | - | ns |
| t ₁₃ CC | \overline{RD} , \overline{WR} low time (no RW-delay) | 36.875 + t _C | - | 3TCL - 10 + t _C | - | ns |
| t ₁₄ SR | \overline{RD} to valid data in (with RW-delay) | - | 11.25 + t _C | - | 2TCL - 20 + t _C | ns |
| t ₁₅ SR | \overline{RD} to valid data in (no RW-delay) | - | 26.875 + t _C | - | 3TCL - 20 + t _C | ns |
| t ₁₆ SR | ALE low to valid data in | - | 26.875 + t _A + t _C | - | 3TCL - 20 + t _A + t _C | ns |
| t ₁₇ SR | Address/Unlatched \overline{CS} to valid data in | - | 32.5 + 2t _A + t _C | - | 4TCL - 30 + 2t _A + t _C | ns |
| t ₁₈ SR | Data hold after \overline{RD} rising edge | 0 | - | 0 | - | ns |
| t ₁₉ SR | Data float after \overline{RD} 1 | - | 17.25 + t _F | - | 2TCL - 14 + t _F | ns |
| t ₂₂ CC | Data valid to \overline{WR} | 11.25 + t _C | - | 2TCL - 20 + t _C | - | ns |
| t ₂₃ CC | Data hold after \overline{WR} | 17.25 + t _F | - | 2TCL - 14 + t _F | - | ns |
| t ₂₅ CC | ALE rising edge after \overline{RD} , \overline{WR} | 17.25 + t _F | - | 2TCL - 14 + t _F | - | ns |
| t ₂₇ CC | Address/Unlatched \overline{CS} hold after \overline{RD} , \overline{WR} | 17.25 + t _F | - | 2TCL - 14 + t _F | - | ns |
| t ₃₈ CC | ALE falling edge to Latched \overline{CS} | -4 - t _A | 10 - t _A | -4 - t _A | 10 - t _A | ns |
| t ₃₉ SR | Latched \overline{CS} low to Valid Data In | - | 26.875 + t _C + 2t _A | - | 3TCL - 20 + t _C + 2t _A | ns |
| t ₄₀ CC | Latched \overline{CS} hold after \overline{RD} , \overline{WR} | 32.875 + t _F | - | 3TCL - 14 + t _F | - | ns |
| t ₄₂ CC | ALE fall. edge to \overline{RdCS} , \overline{WrCS} (with RW delay) | 11.625 + t _A | - | TCL - 4 + t _A | - | ns |
| t ₄₃ CC | ALE fall. edge to \overline{RdCS} , \overline{WrCS} (no RW delay) | -4 + t _A | - | -4 + t _A | - | ns |

| Symbol | Parameter | Maximum CPU Clock = 32MHz | | Variable CPU Clock 1/2 TCL = 1 to 32MHz | | Unit |
|-----------------------|--|---------------------------|----------------|--|--------------------------|------|
| | | Minimum | Maximum | Minimum | Maximum | |
| t ₄₄ CC | Address float after $\overline{\text{RdCS}}$, $\overline{\text{WrCS}}$ (with RW delay) 1 | – | 0 | – | 0 | ns |
| t ₄₅ CC | Address float after $\overline{\text{RdCS}}$, $\overline{\text{WrCS}}$ (no RW delay) 1 | – | 15.625 | – | TCL | ns |
| t ₄₆ SR | $\overline{\text{RdCS}}$ to Valid Data In (with RW delay) | – | $7.25 + t_C$ | – | $2\text{TCL} - 24 + t_C$ | ns |
| t ₄₇ SR | $\overline{\text{RdCS}}$ to Valid Data In (no RW delay) | – | $22.875 + t_C$ | – | $3\text{TCL} - 24 + t_C$ | ns |
| t ₄₈ CC | $\overline{\text{RdCS}}$, $\overline{\text{WrCS}}$ Low Time (with RW delay) | $21.25 + t_C$ | – | $2\text{TCL} - 10 + t_C$ | – | ns |
| t ₄₉ CC | $\overline{\text{RdCS}}$, $\overline{\text{WrCS}}$ Low Time (no RW delay) | $36.875 + t_C$ | – | $3\text{TCL} - 10 + t_C$ | – | ns |
| t ₅₀ CC | Data valid to $\overline{\text{WrCS}}$ | $17.25 + t_C$ | – | $2\text{TCL} - 14 + t_C$ | – | ns |
| t ₅₁ SR | Data hold after $\overline{\text{RdCS}}$ | 0 | – | 0 | – | ns |
| t ₅₂ SR | Data float after $\overline{\text{RdCS}}$ 1 | – | $11.25 + t_F$ | – | $2\text{TCL} - 20 + t_F$ | ns |
| t ₅₄ CC | Address hold after $\overline{\text{RdCS}}$, $\overline{\text{WrCS}}$ | $11.25 + t_F$ | – | $2\text{TCL} - 20 + t_F$ | – | ns |
| t ₅₆ CC | Data hold after $\overline{\text{WrCS}}$ | $11.25 + t_F$ | – | $2\text{TCL} - 20 + t_F$ | – | ns |

1. Partially tested, guaranteed by design characterization.

Figure 71 : External Memory Cycle: Multiplexed Bus, With / Without Read / Write Delay, Normal ALE

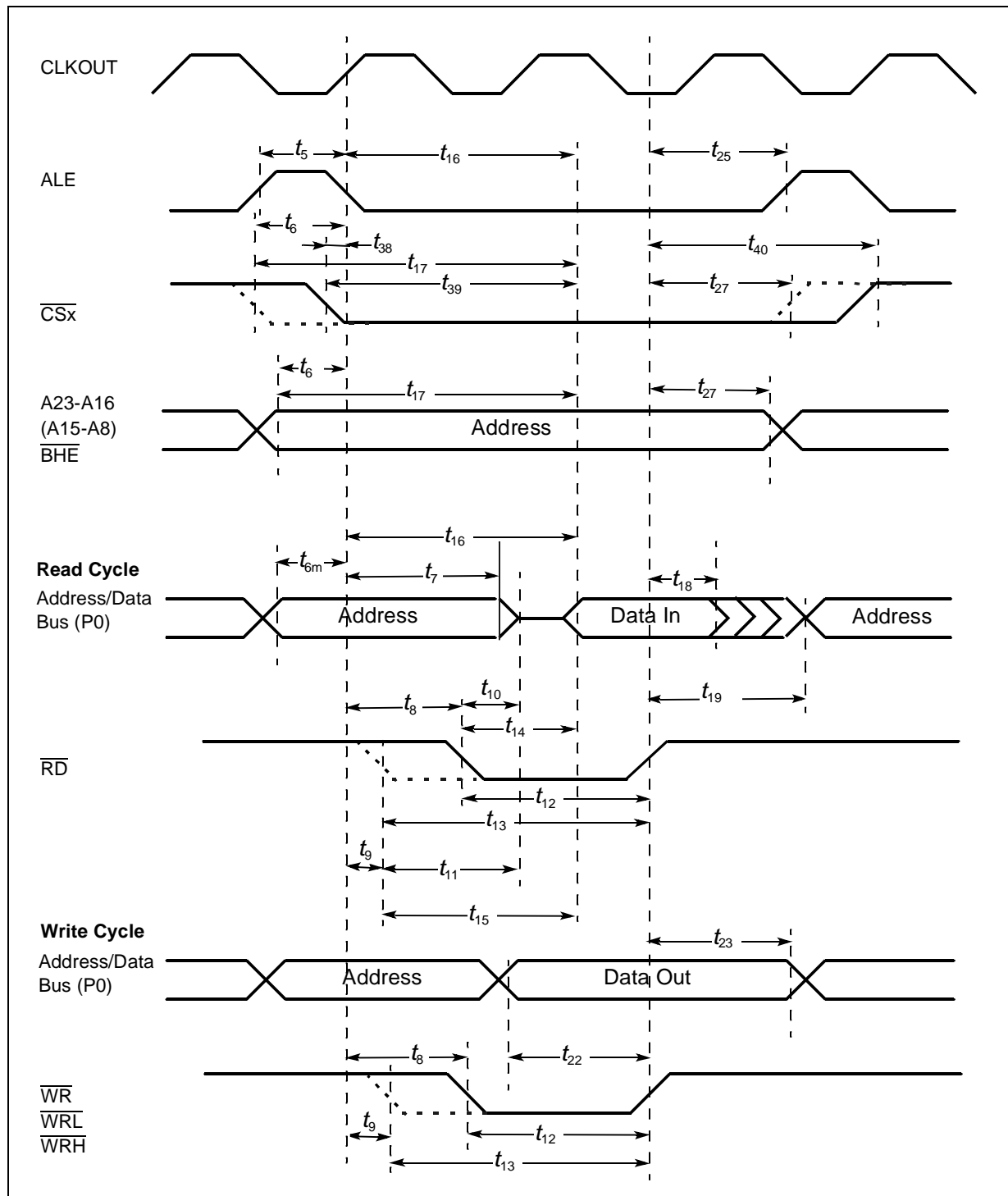


Figure 72 : External Memory Cycle: Multiplexed Bus, With / Without Read / Write Delay, Extended ALE

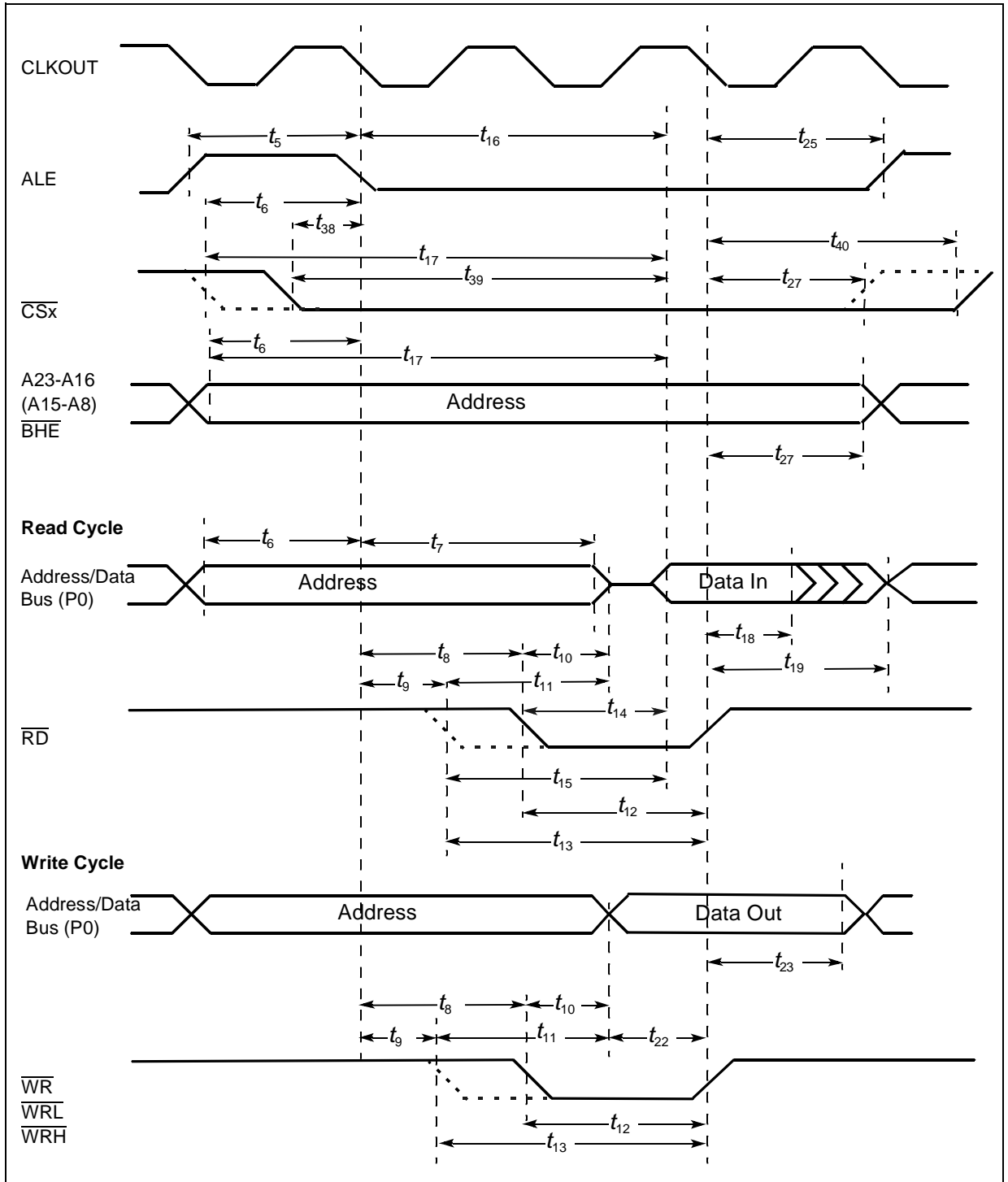


Figure 73 : External Memory Cycle: Multiplexed Bus, With / Without Read / Write Delay, Normal ALE, Read / Write Chip Select

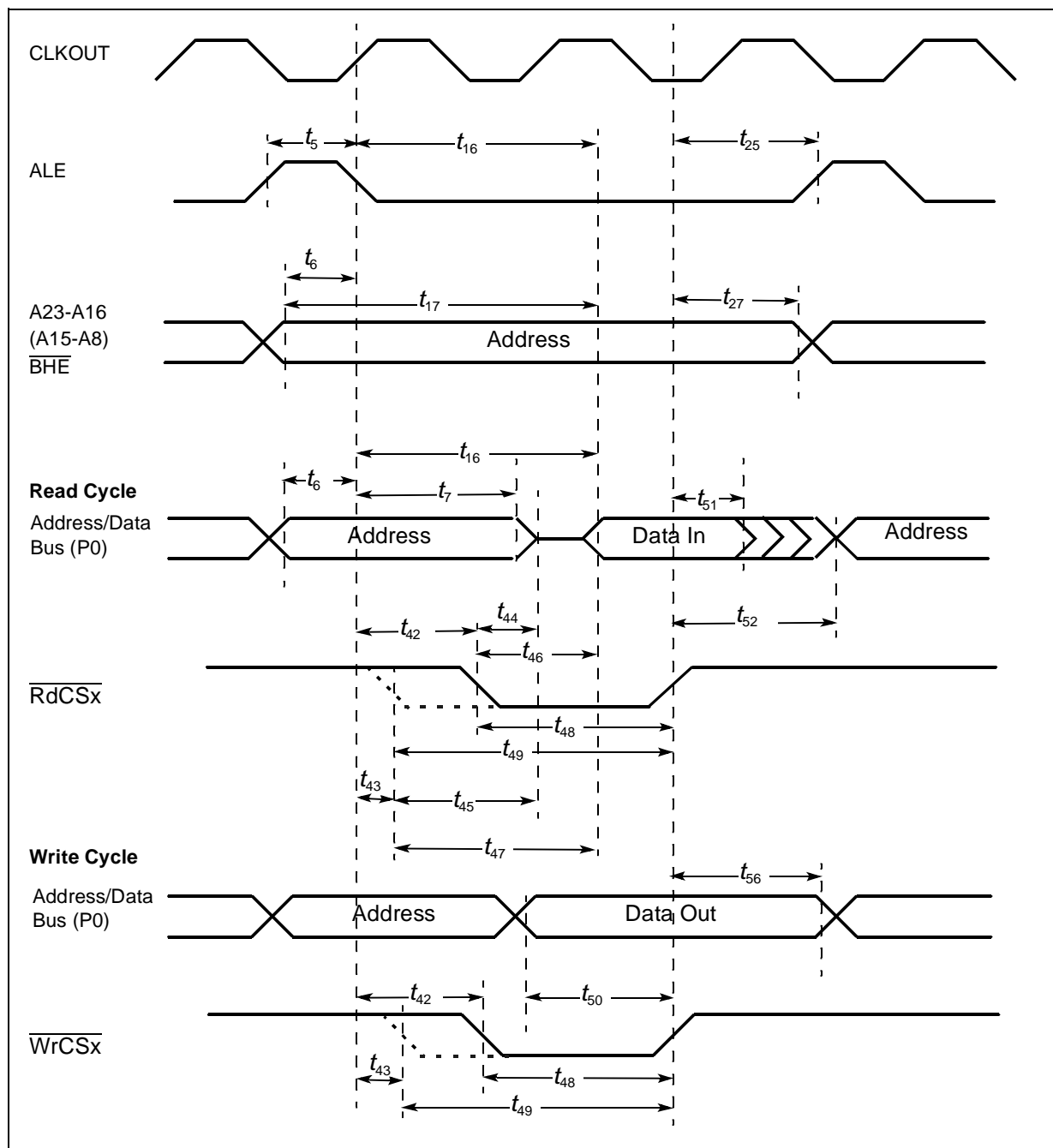
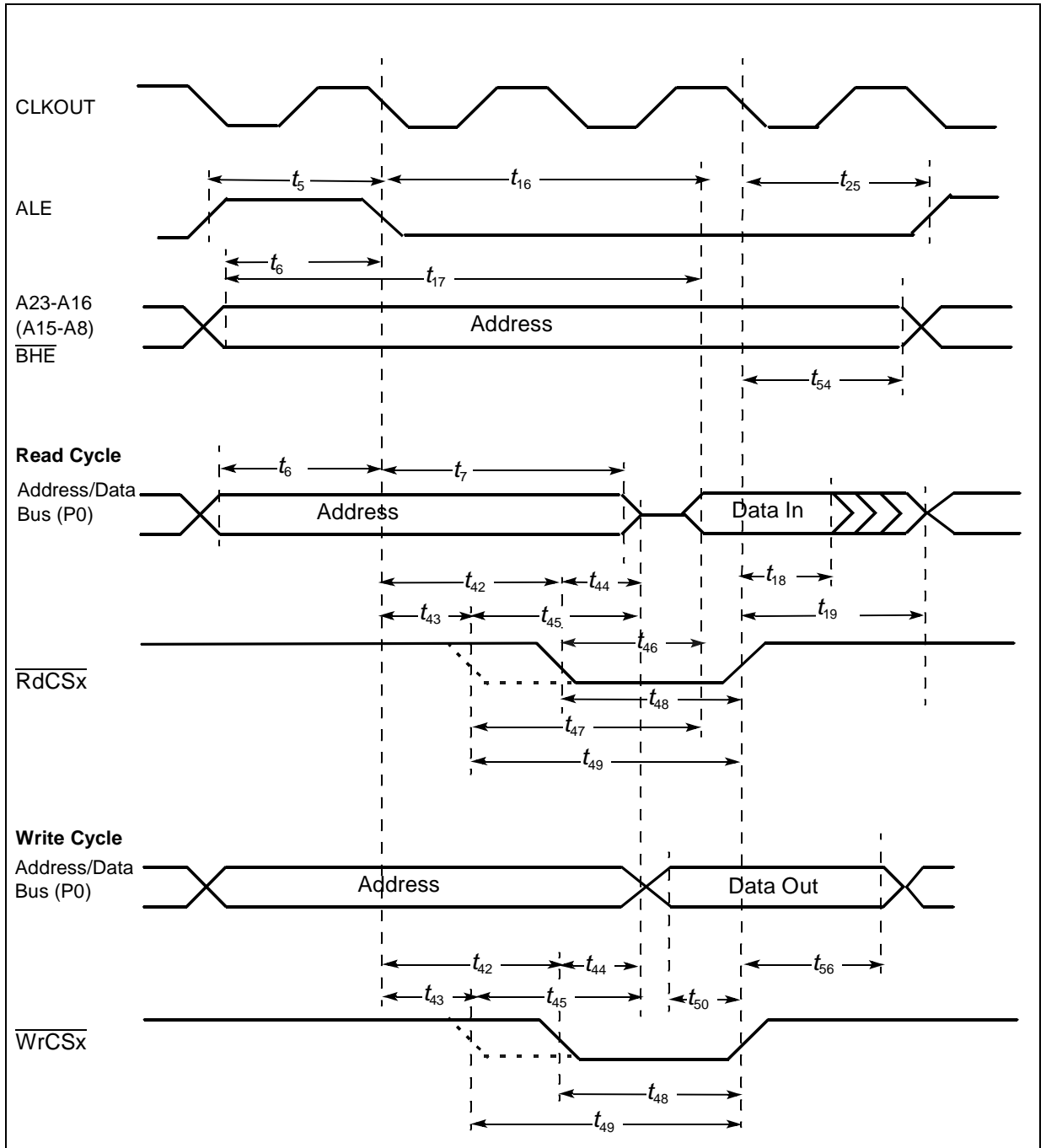


Figure 74 : External Memory Cycle: Multiplexed Bus, With / Without Read / Write Delay, Extended ALE, Read / Write Chip Select



21.4.11 - Demultiplexed Bus

$V_{DD} = 5V \pm 10\%$, $V_{SS} = 0V$, $T_A = -40$ to $+125^\circ\text{C}$, $C_L = 50\text{pF}$,

ALE cycle time = $4 \text{ TCL} + 2t_A + t_C + t_F$ (50ns at 40MHz CPU clock without wait states), PQFP144 devices.

Table 48 : Demultiplexed Bus Characteristics (PQFP144 devices)

| Symbol | Parameter | Maximum CPU Clock = 40MHz | | Variable CPU Clock 1/2 TCL = 1 to 40MHz | | Unit |
|---------------------|---|--|---------------------|--|---|------|
| | | Minimum | Maximum | Minimum | Maximum | |
| t ₅ CC | ALE high time | $4 + t_A$ | – | $\text{TCL} - 8.5 + t_A$ | – | ns |
| t ₆ CC | Address setup to ALE | $2 + t_A$ | – | $\text{TCL} - 10.5 + t_A$ | – | ns |
| t ₈₀ CC | Address/Unlatched $\overline{\text{CS}}$ setup to $\overline{\text{RD}}$, $\overline{\text{WR}}$ (with RW-delay) | $16.5 + 2t_A$ | – | $2 \text{ TCL} - 8.5 + 2t_A$ | – | ns |
| t ₈₁ CC | Address/Unlatched $\overline{\text{CS}}$ setup to $\overline{\text{RD}}$, $\overline{\text{WR}}$ (no RW-delay) | $4 + 2t_A$ | – | $\text{TCL} - 8.5 + 2t_A$ | – | ns |
| t ₁₂ CC | $\overline{\text{RD}}$, $\overline{\text{WR}}$ low time (with RW-delay) | $15.5 + t_C$ | – | $2 \text{ TCL} - 9.5 + t_C$ | – | ns |
| t ₁₃ CC | $\overline{\text{RD}}$, $\overline{\text{WR}}$ low time (no RW-delay) | $28 + t_C$ | – | $3 \text{ TCL} - 9.5 + t_C$ | – | ns |
| t ₁₄ SR | $\overline{\text{RD}}$ to valid data in (with RW-delay) | – | $6 + t_C$ | – | $2 \text{ TCL} - 19 + t_C$ | ns |
| t ₁₅ SR | $\overline{\text{RD}}$ to valid data in (no RW-delay) | – | $18.5 + t_C$ | – | $3 \text{ TCL} - 19 + t_C$ | ns |
| t ₁₆ SR | ALE low to valid data in | – | $18.5 + t_A + t_C$ | – | $3 \text{ TCL} - 19 + t_A + t_C$ | ns |
| t ₁₇ SR | Address/Unlatched $\overline{\text{CS}}$ to valid data in | – | $22 + 2t_A + t_C$ | – | $4 \text{ TCL} - 28 + 2t_A + t_C$ | ns |
| t ₁₈ SR | Data hold after $\overline{\text{RD}}$ rising edge | 0 | – | 0 | – | ns |
| t ₂₀ SR | Data float after $\overline{\text{RD}}$ rising edge (with RW-delay) ^{1 3} | – | $16.5 + t_F$ | – | $2 \text{ TCL} - 8.5 + t_F + 2t_A$ ¹ | ns |
| t ₂₁ SR | Data float after $\overline{\text{RD}}$ rising edge (no RW-delay) ^{1 3} | – | $4 + t_F$ | – | $\text{TCL} - 8.5 + t_F + 2t_A$ ¹ | ns |
| t ₂₂ CC | Data valid to $\overline{\text{WR}}$ | $10 + t_C$ | – | $2 \text{ TCL} - 15 + t_C$ | – | ns |
| t ₂₄ CC | Data hold after $\overline{\text{WR}}$ | $4 + t_F$ | – | $\text{TCL} - 8.5 + t_F$ | – | ns |
| t ₂₆ CC | ALE rising edge after $\overline{\text{RD}}$, $\overline{\text{WR}}$ | $-10 + t_F$ | – | $-10 + t_F$ | – | ns |
| t ₂₈ CC | Address/Unlatched $\overline{\text{CS}}$ hold after $\overline{\text{RD}}$, $\overline{\text{WR}}$ ² | 0 (no t_F) $-5 + t_F$ ($t_F > 0$) | – | 0 (no t_F) $-5 + t_F$ ($t_F > 0$) | – | ns |
| t _{28h} CC | Address/Unlatched $\overline{\text{CS}}$ hold after $\overline{\text{WRH}}$ | $-5 + t_F$ | – | $-5 + t_F$ | – | ns |
| t ₃₈ CC | ALE falling edge to Latched $\overline{\text{CS}}$ | $-4 - t_A$ | $6 - t_A$ | $-4 - t_A$ | $6 - t_A$ | ns |
| t ₃₉ SR | Latched $\overline{\text{CS}}$ low to Valid Data In | – | $18.5 + t_C + 2t_A$ | – | $3 \text{ TCL} - 19 + t_C + 2t_A$ | ns |

Table 48 : Demultiplexed Bus Characteristics (PQFP144 devices)

| Symbol | Parameter | Maximum CPU Clock = 40MHz | | Variable CPU Clock 1/2 TCL = 1 to 40MHz | | Unit | |
|-----------------|-----------|---|---------------|--|-----------------------|---------------------|----|
| | | Minimum | Maximum | Minimum | Maximum | | |
| t ₄₁ | CC | Latched \overline{CS} hold after \overline{RD} , \overline{WR} | $2 + t_F$ | – | $TCL - 10.5 + t_F$ | – | ns |
| t ₈₂ | CC | Address setup to \overline{RdCS} , \overline{WrCS} (with RW-delay) | $14.5 + 2t_A$ | – | $2 TCL - 10.5 + 2t_A$ | – | ns |
| t ₈₃ | CC | Address setup to \overline{RdCS} , \overline{WrCS} (no RW-delay) | $2 + 2t_A$ | – | $TCL - 10.5 + 2t_A$ | – | ns |
| t ₄₆ | SR | \overline{RdCS} to Valid Data In (with RW-delay) | – | $4 + t_C$ | – | $2 TCL - 21 + t_C$ | ns |
| t ₄₇ | SR | \overline{RdCS} to Valid Data In (no RW-delay) | – | $16.5 + t_C$ | – | $3 TCL - 21 + t_C$ | ns |
| t ₄₈ | CC | \overline{RdCS} , \overline{WrCS} Low Time (with RW-delay) | $15.5 + t_C$ | – | $2 TCL - 9.5 + t_C$ | – | ns |
| t ₄₉ | CC | \overline{RdCS} , \overline{WrCS} Low Time (no RW-delay) | $28 + t_C$ | – | $3 TCL - 9.5 + t_C$ | – | ns |
| t ₅₀ | CC | Data valid to \overline{WrCS} | $10 + t_C$ | – | $2 TCL - 15 + t_C$ | – | ns |
| t ₅₁ | SR | Data hold after \overline{RdCS} | 0 | – | 0 | – | ns |
| t ₅₃ | SR | Data float after \overline{RdCS} (with RW-delay) | – | $16.5 + t_F$ | – | $2 TCL - 8.5 + t_F$ | ns |
| t ₆₈ | SR | Data float after \overline{RdCS} (no RW-delay) | – | $4 + t_F$ | – | $TCL - 8.5 + t_F$ | ns |
| t ₅₅ | CC | Address hold after \overline{RdCS} , \overline{WrCS} | $-8.5 + t_F$ | – | $-8.5 + t_F$ | – | ns |
| t ₅₇ | CC | Data hold after \overline{WrCS} | $2 + t_F$ | – | $TCL - 10.5 + t_F$ | – | ns |

Notes: 1. RW-delay and t_A refer to the next following bus cycle.

2. Read data are latched with the same clock edge that triggers the address change and the rising \overline{RD} edge. Therefore address changes before the end of \overline{RD} have no impact on read cycles.

3. Partially tested, guaranteed by design characterization.

$V_{DD} = 5V \pm 10\%$, $V_{SS} = 0V$, $T_A = -40$ to $+85^\circ C$, $C_L = 50pF$,
ALE cycle time = $4 TCL + 2t_A + t_C + t_F$ (125ns at 32MHz CPU clock without wait states) RW-delay and t_A refer to the next following bus cycle.

Table 49 : Demultiplexed Bus Characteristics (TQFP144 devices)

| Symbol | Parameter | Maximum CPU Clock = 32MHz | | Variable CPU Clock 1/2 TCL = 1 to 32MHz | | Unit | |
|-----------------|-----------|--|----------------|--|--------------------|------|----|
| | | Minimum | Maximum | Minimum | Maximum | | |
| t ₅ | CC | ALE high time | $5.625 + t_A$ | – | $TCL - 10 + t_A$ | – | ns |
| t ₆ | CC | Address setup to ALE | $0.625 + t_A$ | – | $TCL - 15 + t_A$ | – | ns |
| t ₈₀ | CC | Address/Unlatched \overline{CS} setup to \overline{RD} , \overline{WR} (with RW-delay) | $21.25 + 2t_A$ | – | $2TCL - 10 + 2t_A$ | – | ns |

| Symbol | Parameter | Maximum CPU Clock = 32MHz | | Variable CPU Clock 1/2 TCL = 1 to 32MHz | | Unit |
|------------------|--|--|-----------------------|--|----------------------------|------|
| | | Minimum | Maximum | Minimum | Maximum | |
| t ₈₁ | CC Address/Unlatched \overline{CS} setup to \overline{RD} , \overline{WR} (no RW-delay) | $5.625 + 2t_A$ | – | $TCL - 10 + 2t_A$ | – | ns |
| t ₁₂ | CC \overline{RD} , \overline{WR} low time (with RW-delay) | $21.25 + t_C$ | – | $2TCL - 10 + t_C$ | – | ns |
| t ₁₃ | CC \overline{RD} , \overline{WR} low time (no RW-delay) | $36.875 + t_C$ | – | $3TCL - 10 + t_C$ | – | ns |
| t ₁₄ | SR \overline{RD} to valid data in (with RW-delay) | – | $11.25 + t_C$ | – | $2TCL - 20 + t_C$ | ns |
| t ₁₅ | SR \overline{RD} to valid data in (no RW-delay) | – | $26.875 + t_C$ | – | $3TCL - 20 + t_C$ | ns |
| t ₁₆ | SR ALE low to valid data in | – | $26.875 + t_A + t_C$ | – | $3TCL - 20 + t_A + t_C$ | ns |
| t ₁₇ | SR Address/Unlatched \overline{CS} to valid data in | – | $32.5 + 2t_A + t_C$ | – | $4TCL - 30 + 2t_A + t_C$ | ns |
| t ₁₈ | SR Data hold after \overline{RD} rising edge | 0 | – | 0 | – | ns |
| t ₂₀ | SR Data float after \overline{RD} rising edge (with RW-delay) ¹⁻³ | – | $26 + t_F$ | – | $2TCL - 14 + t_F + 2t_A^1$ | ns |
| t ₂₁ | SR Data float after \overline{RD} rising edge (no RW-delay) ¹⁻³ | – | $5.625 + t_F$ | – | $TCL - 10 + t_F + 2t_A^1$ | ns |
| t ₂₂ | CC Data valid to \overline{WR} | $11.25 + t_C$ | – | $2TCL - 20 + t_C$ | – | ns |
| t ₂₄ | CC Data hold after \overline{WR} | $5.625 + t_F$ | – | $TCL - 10 + t_F$ | – | ns |
| t ₂₆ | CC ALE rising edge after \overline{RD} , \overline{WR} | $-10 + t_F$ | – | $-10 + t_F$ | – | ns |
| t ₂₈ | CC Address/Unlatched \overline{CS} hold after \overline{RD} , \overline{WR} ² | 0 (no t_F) $-5 + t_F$ ($t_F > 0$) | – | 0 (no t_F) $-5 + t_F$ ($t_F > 0$) | – | ns |
| t _{28h} | CC Address/Unlatched \overline{CS} hold after \overline{WRH} | $-5 + t_F$ | – | $-5 + t_F$ | – | ns |
| t ₃₈ | CC ALE falling edge to Latched \overline{CS} | $-4 - t_A$ | $10 - t_A$ | $-4 - t_A$ | $10 - t_A$ | ns |
| t ₃₉ | SR Latched \overline{CS} low to Valid Data In | – | $26.875 + t_C + 2t_A$ | – | $3TCL - 20 + t_C + 2t_A$ | ns |
| t ₄₁ | CC Latched \overline{CS} hold after \overline{RD} , \overline{WR} | $1.625 + t_F$ | – | $TCL - 14 + t_F$ | – | ns |
| t ₈₂ | CC Address setup to \overline{RdCS} , \overline{WrCS} (with RW-delay) | $17.25 + 2t_A$ | – | $2TCL - 14 + 2t_A$ | – | ns |
| t ₈₃ | CC Address setup to \overline{RdCS} , \overline{WrCS} (no RW-delay) | $1.625 + 2t_A$ | – | $TCL - 14 + 2t_A$ | – | ns |
| t ₄₆ | SR \overline{RdCS} to Valid Data In (with RW-delay) | – | $7.25 + t_C$ | – | $2TCL - 24 + t_C$ | ns |
| t ₄₇ | SR \overline{RdCS} to Valid Data In (no RW-delay) | – | $22.875 + t_C$ | – | $3TCL - 24 + t_C$ | ns |

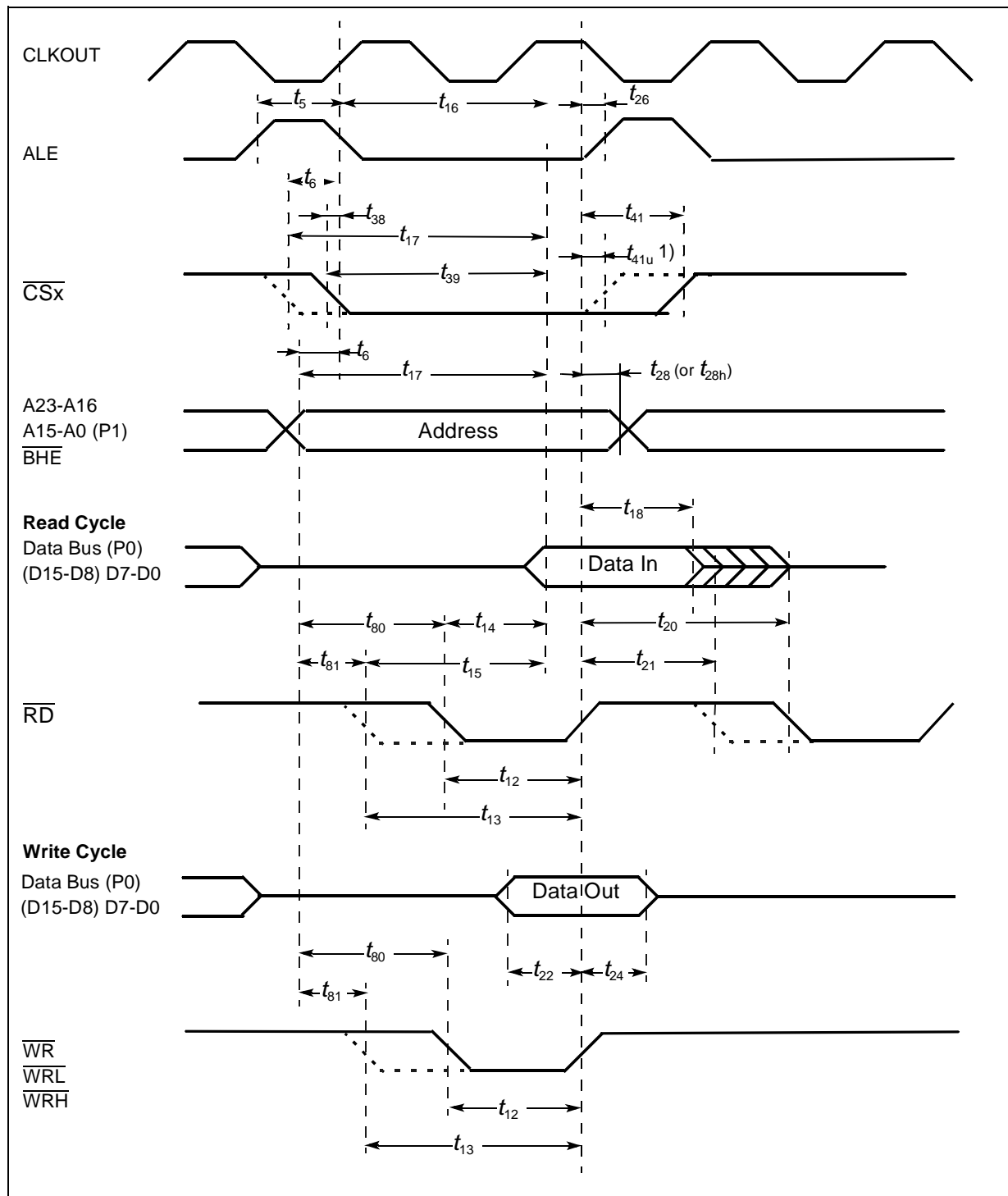
| Symbol | Parameter | Maximum CPU Clock = 32MHz | | Variable CPU Clock 1/2 TCL = 1 to 32MHz | | Unit |
|-----------------|--|---------------------------|------------------------|--|----------------------------|------|
| | | Minimum | Maximum | Minimum | Maximum | |
| t ₄₈ | CC $\overline{\text{RdCS}}, \overline{\text{WrCS}}$ Low Time (with RW-delay) | 21.25 + t _C | – | 2TCL - 10 + t _C | – | ns |
| t ₄₉ | CC $\overline{\text{RdCS}}, \overline{\text{WrCS}}$ Low Time (no RW-delay) | 36.875 + t _C | – | 3TCL - 10 + t _C | – | ns |
| t ₅₀ | CC Data valid to $\overline{\text{WrCS}}$ | 17.25 + t _C | – | 2TCL - 14 + t _C | – | ns |
| t ₅₁ | SR Data hold after $\overline{\text{RdCS}}$ | 0 | – | 0 | – | ns |
| t ₅₃ | SR Data float after $\overline{\text{RdCS}}$ (with RW-delay) ³ | – | 21.25 + t _F | – | 2TCL - 10 + t _F | ns |
| t ₆₈ | SR Data float after $\overline{\text{RdCS}}$ (no RW-delay) ³ | – | 0 + t _F | – | TCL - 10 + t _F | ns |
| t ₅₅ | CC Address hold after $\overline{\text{RdCS}}, \overline{\text{WrCS}}$ | -10 + t _F | – | -10 + t _F | – | ns |
| t ₅₇ | CC Data hold after $\overline{\text{WrCS}}$ | 1.625 + t _F | – | TCL - 14 + t _F | – | ns |

Notes: 1. RW-delay and t_A refer to the next following bus cycle.

2. Read data are latched with the same clock edge that triggers the address change and the rising $\overline{\text{RD}}$ edge. Therefore address changes before the end of $\overline{\text{RD}}$ have no impact on read cycles.

3. Partially tested, guaranteed by design characterization.

Figure 75 : External Memory Cycle: Demultiplexed Bus, With / Without Read / Write Delay, Normal ALE



Note: 1. Un-latched CSx = $t_{41u} = t_{41} \text{ TCL} = 10.5 + t_F$

Figure 76 : External Memory Cycle: Demultiplexed Bus, With / Without Read / Write Delay, Extended ALE

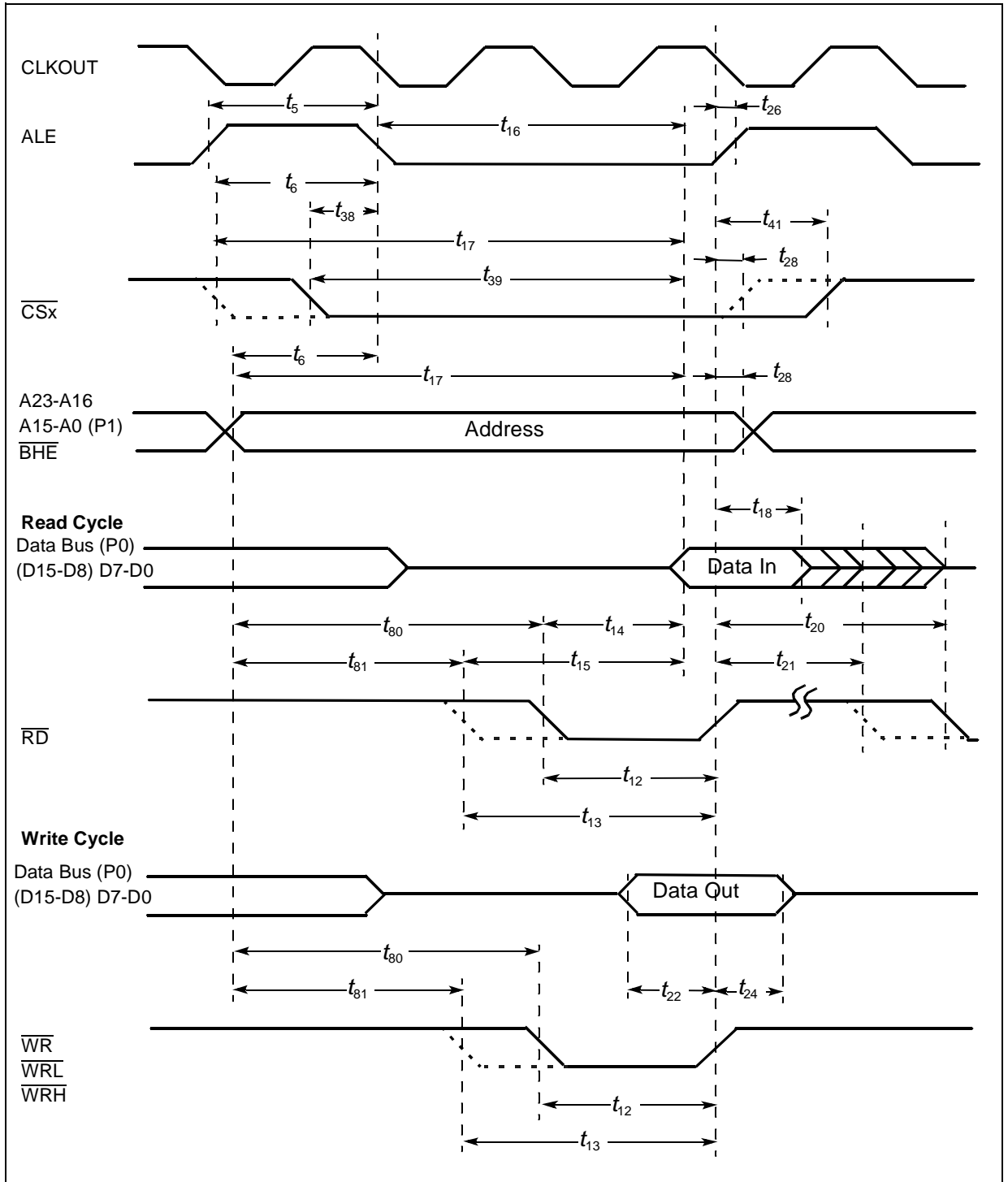


Figure 77 : External Memory Cycle: Demultiplexed Bus, With / Without Read / Write Delay, Normal ALE, Read / Write Chip Select

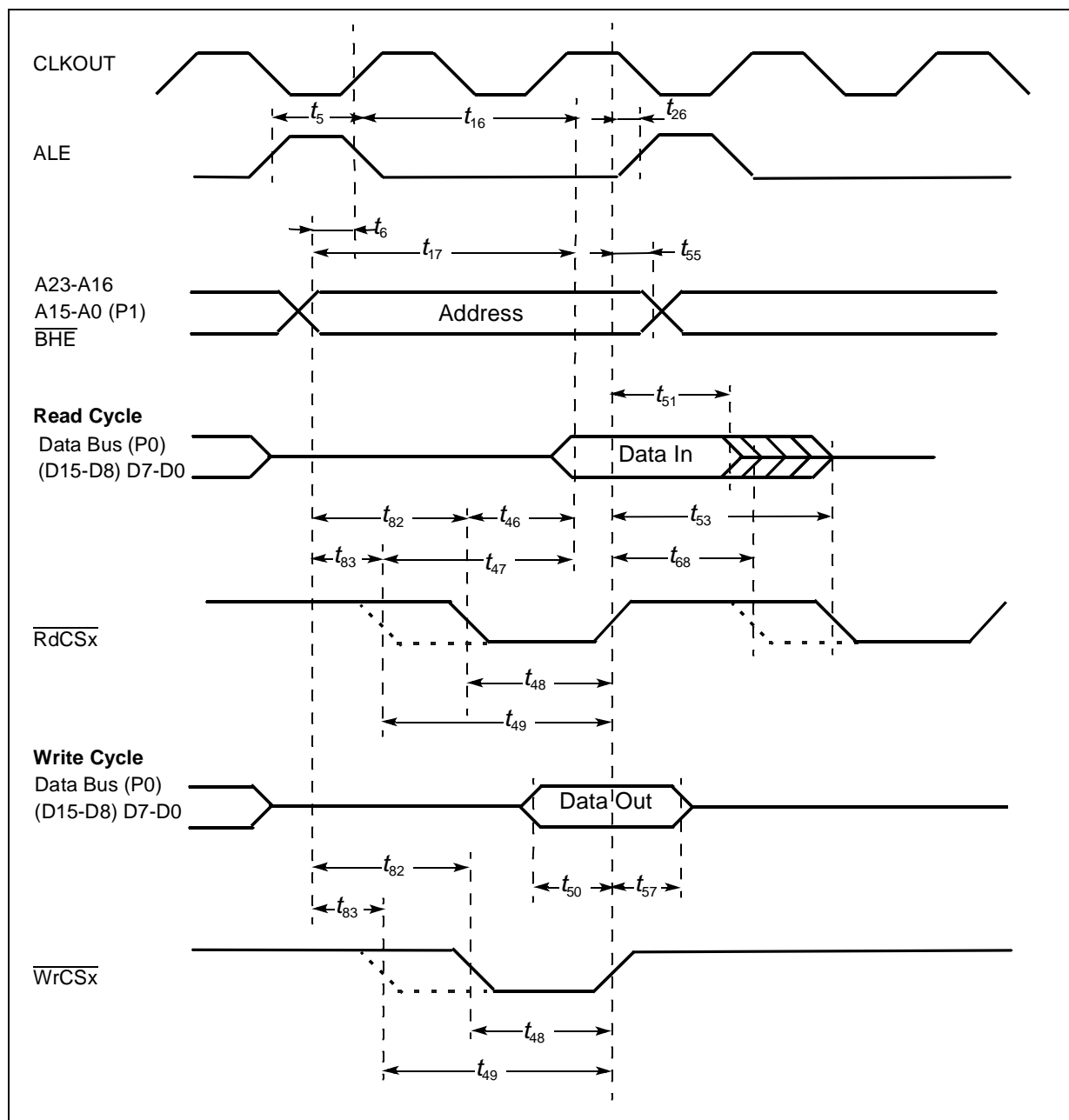
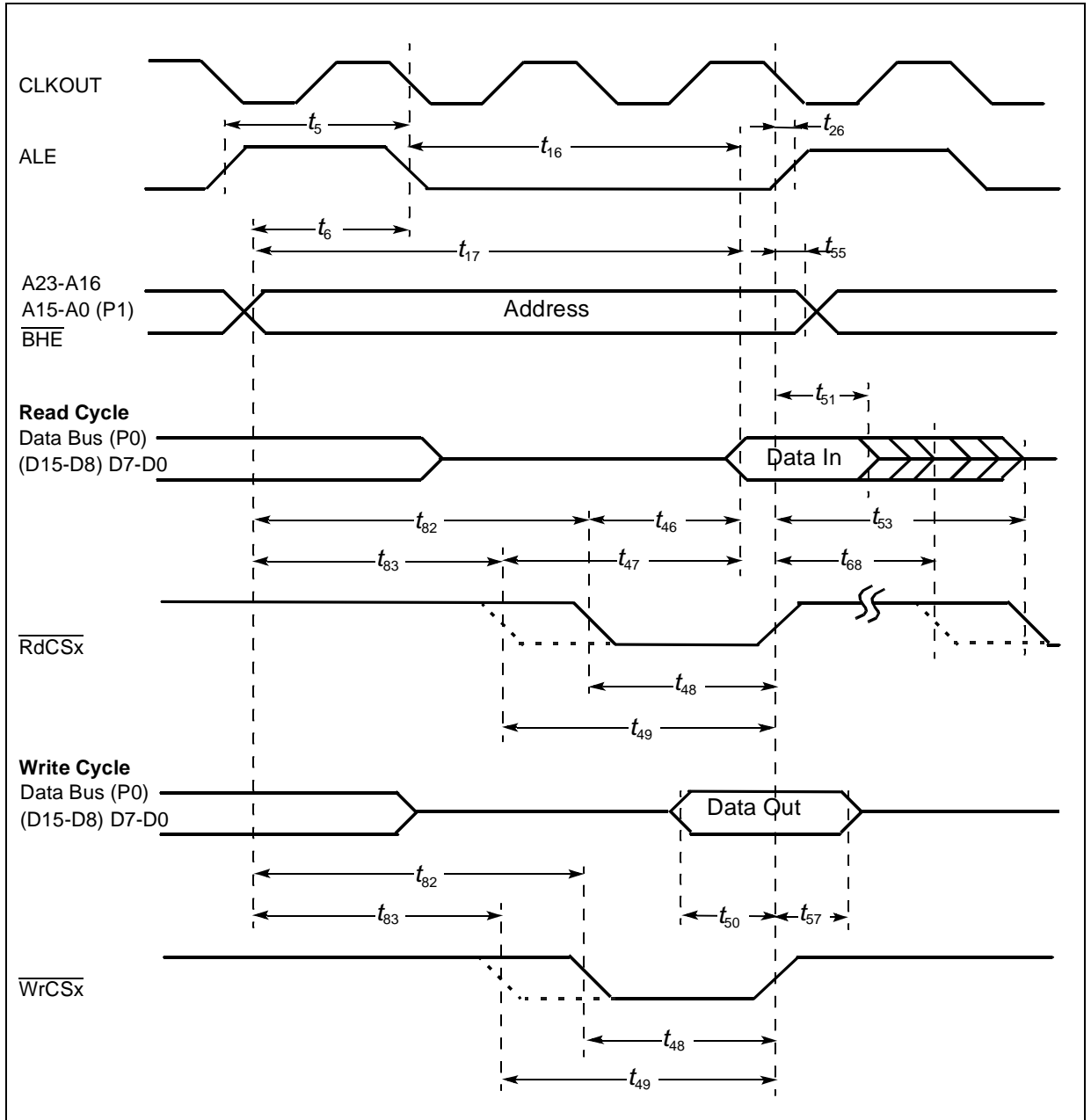


Figure 78 : External Memory Cycle: Demultiplexed Bus, no Read / Write Delay, Extended ALE, Read / Write Chip Select



21.4.12 - CLKOUT and $\overline{\text{READY}}$

$V_{DD} = 5V \pm 10\%$, $V_{SS} = 0V$, $T_A = -40$ to $+125^\circ\text{C}$, $C_L = 50\text{pF}$, PQFP144 devices

Table 50 : CLKOUT and $\overline{\text{READY}}$ Characteristics (PQFP144 devices)

| Symbol | Parameter | Maximum CPU Clock = 40 MHz | | Variable CPU Clock 1/2TCL = 1 to 40 MHz | | Unit | |
|-----------------|-----------|---|------------|--|------------|---|----|
| | | Minimum | Maximum | Minimum | Maximum | | |
| t ₂₉ | CC | CLKOUT cycle time | 25 | 25 | 2TCL | 2TCL | ns |
| t ₃₀ | CC | CLKOUT high time | 4 | – | TCL – 8.5 | – | ns |
| t ₃₁ | CC | CLKOUT low time | 3 | – | TCL – 9.5 | – | ns |
| t ₃₂ | CC | CLKOUT rise time | – | 4 | – | 4 | ns |
| t ₃₃ | CC | CLKOUT fall time | – | 4 | – | 4 | ns |
| t ₃₄ | CC | CLKOUT rising edge to ALE falling edge | $-2 + t_A$ | $8 + t_A$ | $-2 + t_A$ | $8 + t_A$ | ns |
| t ₃₅ | SR | Synchronous $\overline{\text{READY}}$ setup time to CLKOUT | 12.5 | – | 12.5 | – | ns |
| t ₃₆ | SR | Synchronous $\overline{\text{READY}}$ hold time after CLKOUT | 2 | – | 2 | – | ns |
| t ₃₇ | SR | Asynchronous $\overline{\text{READY}}$ low time | 35 | – | 2TCL + 10 | – | ns |
| t ₅₈ | SR | Asynchronous $\overline{\text{READY}}$ setup time ¹⁾ | 12.5 | – | 12.5 | – | ns |
| t ₅₉ | SR | Asynchronous $\overline{\text{READY}}$ hold time ¹⁾ | 2 | – | 2 | – | ns |
| t ₆₀ | SR | Async. $\overline{\text{READY}}$ hold time after $\overline{\text{RD}}$, $\overline{\text{WR}}$ high (Demultiplexed Bus) ²⁾ | 0 | $0 + 2t_A + t_C + t_F$ ²⁾ | 0 | $\text{TCL} - 12.5$ $+ 2t_A + t_C + t_F$ ²⁾ | ns |

Notes: 1. These timings are given for test purposes only, in order to assure recognition at a specific clock edge.

2. Demultiplexed bus is the worst case. For multiplexed bus 2TCL are to be added to the maximum values. This adds even more time for deactivating $\overline{\text{READY}}$.

The $2t_A$ and t_C refer to the next following bus cycle, t_F refers to the current bus cycle.

$V_{DD} = 5V \pm 10\%$, $V_{SS} = 0V$, $T_A = -40$ to $+125^\circ\text{C}$, $C_L = 50\text{pF}$, TQFP144 devices

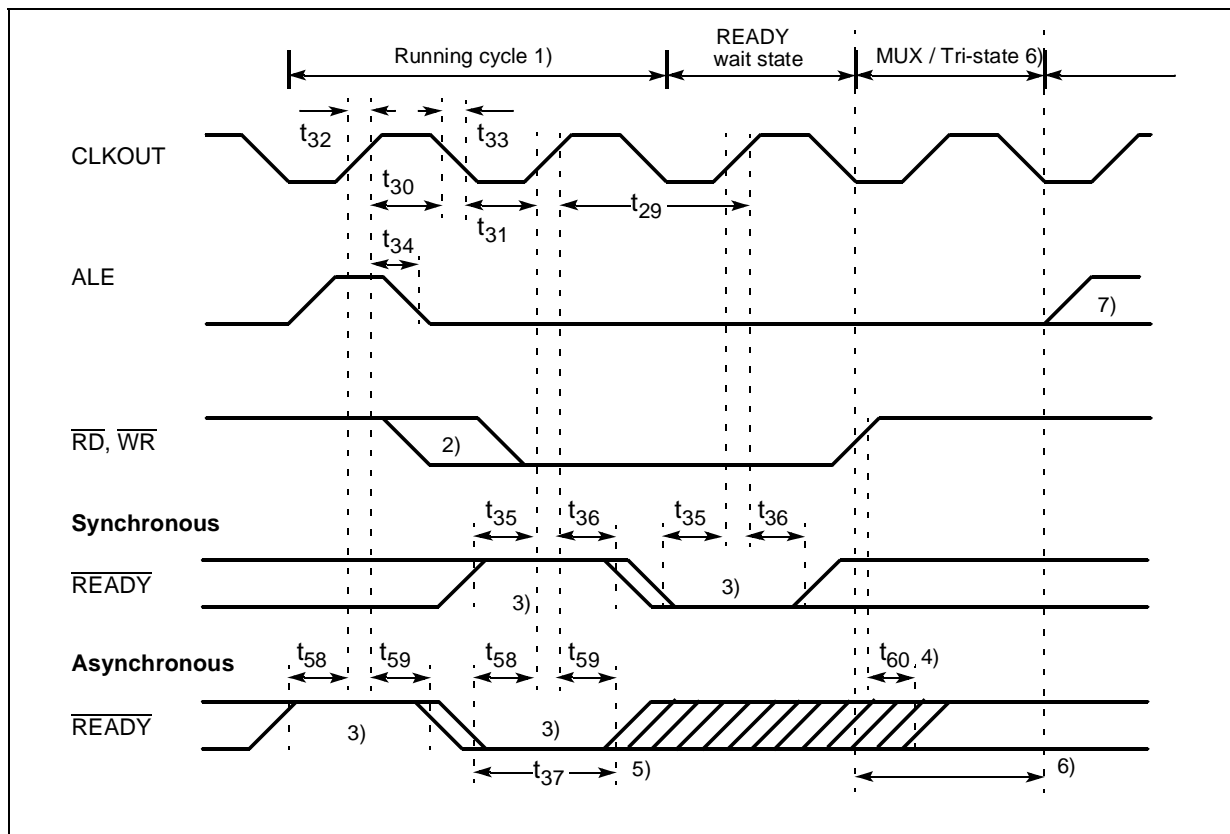
Table 51 : CLKOUT and $\overline{\text{READY}}$ Characteristics (TQFP144 devices)

| Symbol | Parameter | Maximum CPU Clock = 32MHz | | Variable CPU Clock 1/2TCL = 1 to 32MHz | | Unit | |
|-----------------|-----------|--|------------|---|------------|---|----|
| | | Minimum | Maximum | Minimum | Maximum | | |
| t ₂₉ | CC | CLKOUT cycle time | 31.25 | 31.25 | 2TCL | 2TCL | ns |
| t ₃₀ | CC | CLKOUT high time | 9.625 | – | TCL – 6 | – | ns |
| t ₃₁ | CC | CLKOUT low time | 5.625 | – | TCL – 10 | – | ns |
| t ₃₂ | CC | CLKOUT rise time | – | 4 | – | 4 | ns |
| t ₃₃ | CC | CLKOUT fall time | – | 4 | – | 4 | ns |
| t ₃₄ | CC | CLKOUT rising edge to ALE falling edge | $-3 + t_A$ | $+7 + t_A$ | $-3 + t_A$ | $+7 + t_A$ | ns |
| t ₃₅ | SR | Synchronous $\overline{\text{READY}}$ setup time to CLKOUT | 14 | – | 14 | – | ns |
| t ₃₆ | SR | Synchronous $\overline{\text{READY}}$ hold time after CLKOUT | 4 | – | 4 | – | ns |
| t ₃₇ | SR | Asynchronous $\overline{\text{READY}}$ low time | 45.25 | – | 2TCL + 14 | – | ns |
| t ₅₈ | SR | Asynchronous $\overline{\text{READY}}$ setup time ¹⁾ | 14 | – | 14 | – | ns |
| t ₅₉ | SR | Asynchronous $\overline{\text{READY}}$ hold time ¹⁾ | 4 | – | 4 | – | ns |
| t ₆₀ | SR | Async. $\overline{\text{READY}}$ hold time after RD, WR high (Demultiplexed Bus) ²⁾ | 0 | $0 + 2t_A$ $+ t_C + t_F^2$ | 0 | $\text{TCL} - 15.625 +$ $2t_A + t_C + t_F^2$ | ns |

Notes: 1. These timings are given for test purposes only, in order to assure recognition at a specific clock edge.

Note 2. Demultiplexed bus is the worst case. For multiplexed bus 2TCL are to be added to the maximum values. This adds even more time for deactivating $\overline{\text{READY}}$.

The $2t_A$ and t_C refer to the next following bus cycle, t_F refers to the current bus cycle.

Figure 79 : CLKOUT and $\overline{\text{READY}}$ 

Notes: 1. Cycle as programmed, including MCTC wait states (Example shows 0 MCTC WS).

2. The leading edge of the respective command depends on RW-delay.

3. $\overline{\text{READY}}$ sampled HIGH at this sampling point generates a $\overline{\text{READY}}$ controlled wait state, $\overline{\text{READY}}$ sampled LOW at this sampling point terminates the currently running bus cycle.

4. $\overline{\text{READY}}$ may be deactivated in response to the trailing (rising) edge of the corresponding command ($\overline{\text{RD}}$ or $\overline{\text{WR}}$).

5. If the Asynchronous $\overline{\text{READY}}$ signal does not fulfill the indicated setup and hold times with respect to CLKOUT (e.g. because CLKOUT is not enabled), it must fulfill t_{37} in order to be safely synchronized. This is guaranteed, if $\overline{\text{READY}}$ is removed in response to the command (see Note 4).

6. Multiplexed bus modes have a MUX wait state added after a bus cycle, and an additional MTTC wait state may be inserted here. For a multiplexed bus with MTTC wait state this delay is 2 CLKOUT cycles, for a demultiplexed bus without MTTC wait state this delay is zero.

7. The next external bus cycle may start here.

21.4.13 - External Bus Arbitration

$V_{DD} = 5V \pm 10\%$, $V_{SS} = 0V$, $T_A = -40$ to $+125^\circ\text{C}$, $C_L = 50\text{pF}$ (PQFP144 devices)

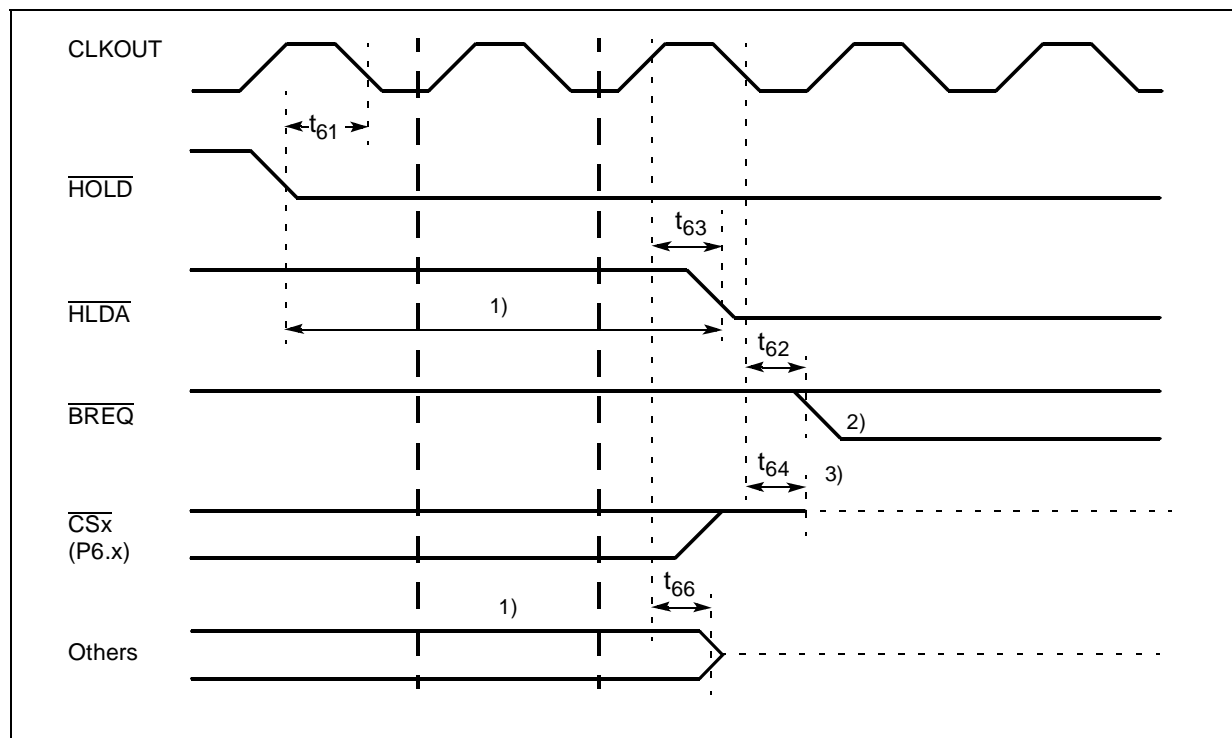
| Symbol | Parameter | Maximum CPU Clock = 40 MHz | | Variable CPU Clock 1/2TCL = 1 to 40 MHz | | Unit |
|--------------------|---|-------------------------------|---------|--|---------|------|
| | | Minimum | Maximum | Minimum | Maximum | |
| t ₆₁ SR | $\overline{\text{HOLD}}$ input setup time to CLKOUT | 15 | – | 15 | – | ns |
| t ₆₂ CC | CLKOUT to $\overline{\text{HLDA}}$ high or $\overline{\text{BREQ}}$ low delay | – | 12.5 | – | 12.5 | ns |
| t ₆₃ CC | CLKOUT to $\overline{\text{HLDA}}$ low or $\overline{\text{BREQ}}$ high delay | – | 12.5 | – | 12.5 | ns |
| t ₆₄ CC | $\overline{\text{CSx}}$ release ¹ | – | 15 | – | 15 | ns |
| t ₆₅ CC | $\overline{\text{CSx}}$ drive | -4 | 15 | -4 | 15 | ns |
| t ₆₆ CC | Other signals release ¹ | – | 15 | – | 15 | ns |
| t ₆₇ CC | Other signals drive | -4 | 15 | -4 | 15 | ns |

Note: 1. Partially tested, guaranteed by design characterization

$V_{DD} = 5V \pm 10\%$, $V_{SS} = 0V$, $T_A = -40$ to $+125^\circ\text{C}$, $C_L = 50\text{pF}$ (TQFP144 devices)

| Symbol | Parameter | Maximum CPU Clock = 32MHz | | Variable CPU Clock 1/2TCL = 1 to 32MHz | | Unit |
|--------------------|---|------------------------------|---------|---|---------|------|
| | | Minimum | Maximum | Minimum | Maximum | |
| t ₆₁ SR | $\overline{\text{HOLD}}$ input setup time to CLKOUT | 20 | – | 20 | – | ns |
| t ₆₂ CC | CLKOUT to $\overline{\text{HLDA}}$ high or $\overline{\text{BREQ}}$ low delay | – | 15.625 | – | 15.625 | ns |
| t ₆₃ CC | CLKOUT to $\overline{\text{HLDA}}$ low or $\overline{\text{BREQ}}$ high delay | – | 15.625 | – | 15.625 | ns |
| t ₆₄ CC | $\overline{\text{CSx}}$ release ¹ | – | 15 | – | 15 | ns |
| t ₆₅ CC | $\overline{\text{CSx}}$ drive | -4 | 15 | -4 | 15 | ns |
| t ₆₆ CC | Other signals release ¹ | – | 15 | – | 15 | ns |
| t ₆₇ CC | Other signals drive | -4 | 15 | -4 | 15 | ns |

Note: 1. Partially tested, guaranteed by design characterization

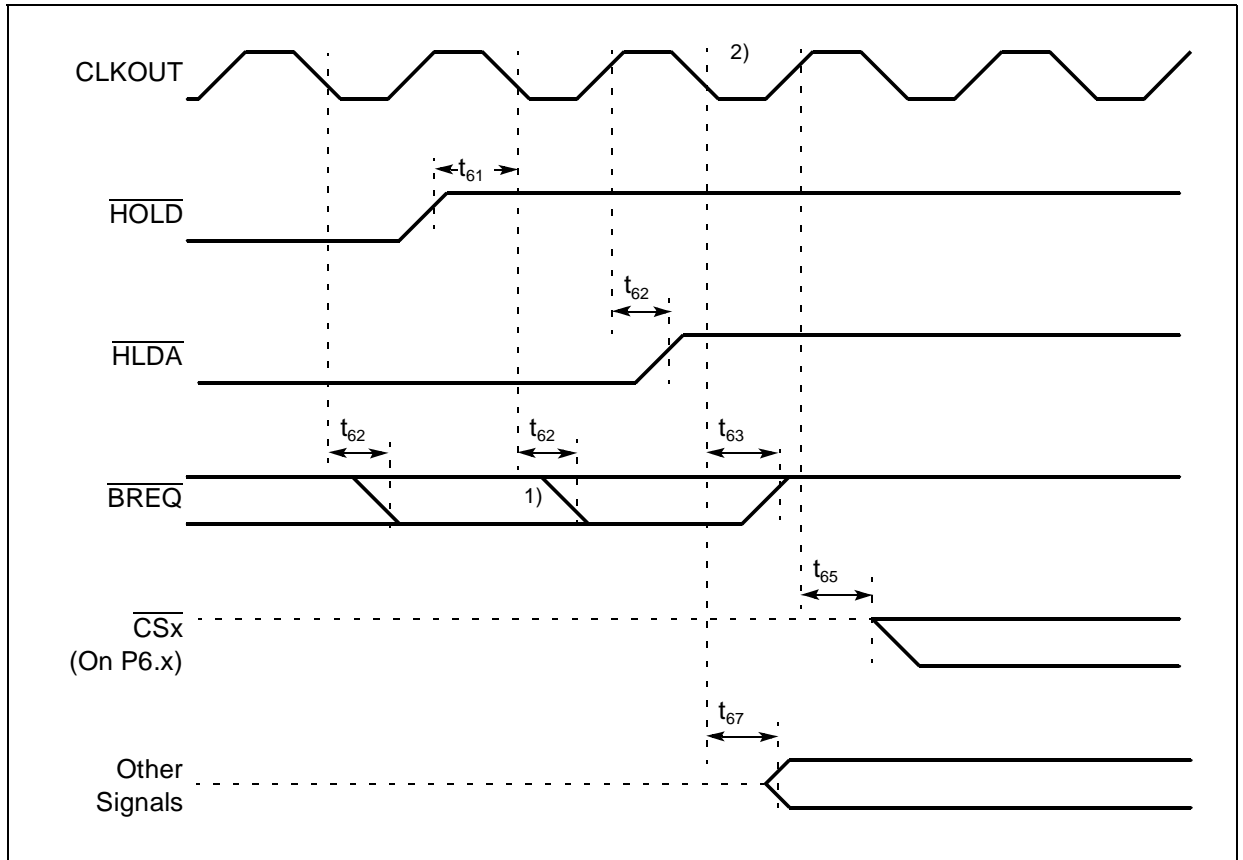
Figure 80 : External Bus Arbitration (Releasing the Bus)

Notes: 1. The ST10F269 will complete the currently running bus cycle before granting bus access.

2. This is the first possibility for \overline{BREQ} to become active.

3. The \overline{CS} outputs will be resistive high (pull-up) after t_{64} .

Figure 81 : External Bus Arbitration (Regaining the Bus)



Notes: 1. This is the last chance for $\overline{\text{BREQ}}$ to trigger the indicated regain-sequence. Even if $\overline{\text{BREQ}}$ is activated earlier, the regain-sequence is initiated by $\overline{\text{HOLD}}$ going high. Please note that $\overline{\text{HOLD}}$ may also be deactivated without the ST10F269 requesting the bus.

2. The next ST10F269 driven bus cycle may start here.

21.4.14 - High-Speed Synchronous Serial Interface (SSC) Timing

21.4.14.1 Master Mode

$V_{CC} = 5V \pm 10\%$, $V_{SS} = 0V$, CPU clock = 40MHz, $T_A = -40$ to $+125^\circ\text{C}$, $C_L = 50\text{pF}$ (PQFP144 devices)

| Symbol | Parameter | Maximum Baud rate = 10M Baud ($\langle\text{SSCBR}\rangle = 0001\text{h}$) | | Variable Baud rate ($\langle\text{SSCBR}\rangle = 0001\text{h}-\text{FFFFh}$) | | Unit |
|----------------------|--|---|---------|--|------------|------|
| | | Minimum | Maximum | Minimum | Maximum | |
| t_{300} CC | SSC clock cycle time | 100 | 100 | 8 TCL | 262144 TCL | ns |
| t_{301} CC | SSC clock high time | 40 | – | $t_{300}/2 - 10$ | – | ns |
| t_{302} CC | SSC clock low time | 40 | – | $t_{300}/2 - 10$ | – | ns |
| t_{303} CC | SSC clock rise time | – | 10 | – | 10 | ns |
| t_{304} CC | SSC clock fall time | – | 10 | – | 10 | ns |
| t_{305} CC | Write data valid after shift edge | – | 15 | – | 15 | ns |
| t_{306} CC | Write data hold after shift edge ¹ | -2 | – | -2 | – | ns |
| $t_{307\text{p}}$ SR | Read data setup time before latch edge, phase error detection on (SSCPEN = 1) | 37.5 | – | 2TCL+12.5 | – | ns |
| $t_{308\text{p}}$ SR | Read data hold time after latch edge, phase error detection on (SSCPEN = 1) | 50 | – | 4TCL | – | ns |
| t_{307} SR | Read data setup time before latch edge, phase error detection off (SSCPEN = 0) | 25 | – | 2TCL | – | ns |
| t_{308} SR | Read data hold time after latch edge, phase error detection off (SSCPEN = 0) | 0 | – | 0 | – | ns |

Note: 1. Timing guaranteed by design.

The formula for SSC Clock Cycle time is: $t_{300} = 4 \text{ TCL} * (\langle\text{SSCBR}\rangle + 1)$

Where $\langle\text{SSCBR}\rangle$ represents the content of the SSC Baud rate register, taken as unsigned 16-bit integer.

$V_{CC} = 5V \pm 10\%$, $V_{SS} = 0V$, CPU clock = 32MHz, $T_A = -40$ to $+125^\circ\text{C}$, $C_L = 50\text{pF}$ (TQFP144 devices)

| Symbol | Parameter | Maximum Baud rate=6.25MBd ($\langle\text{SSCBR}\rangle = 0001\text{h}$) | | Variable Baud rate ($\langle\text{SSCBR}\rangle = 0001\text{h}-\text{FFFFh}$) | | Symbol |
|-----------------------------------|--|--|---------|--|------------|--------------------------------|
| | | Minimum | Maximum | Minimum | Maximum | |
| t_{310} SR | SSC clock cycle time | 125 | – | 8 TCL | 262144 TCL | t_{310} |
| t_{311} SR | SSC clock high time | 52.5 | – | $t_{310}/2 - 10$ | – | t_{311} |
| t_{312} SR | SSC clock low time | 52.5 | – | $t_{310}/2 - 10$ | – | t_{312} |
| t_{313} SR | SSC clock rise time | – | 10 | – | 10 | t_{313} |
| t_{314} SR | SSC clock fall time | – | 10 | – | 10 | t_{314} |
| t_{315} CC | Write data valid after shift edge | – | 45.25 | – | 2 TCL + 14 | t_{315} |
| t_{316} CC | Write data hold after shift edge | 0 | – | 0 | – | t_{316} |
| $t_{317\text{p}}$ SR | Read data setup time before latch edge, phase error detection on (SSCPEN = 1) | 78.125 | – | 4TCL + 15.625 | – | $t_{317\text{p}}$ |
| $t_{318\text{p}}$ ¹ SR | Read data hold time after latch edge, phase error detection on (SSCPEN = 1) | 109.375 | – | 6TCL + 15.625 | – | $t_{318\text{p}}$ ¹ |
| t_{317} SR | Read data setup time before latch edge, phase error detection off (SSCPEN = 0) | 6 | – | 6 | – | t_{317} |

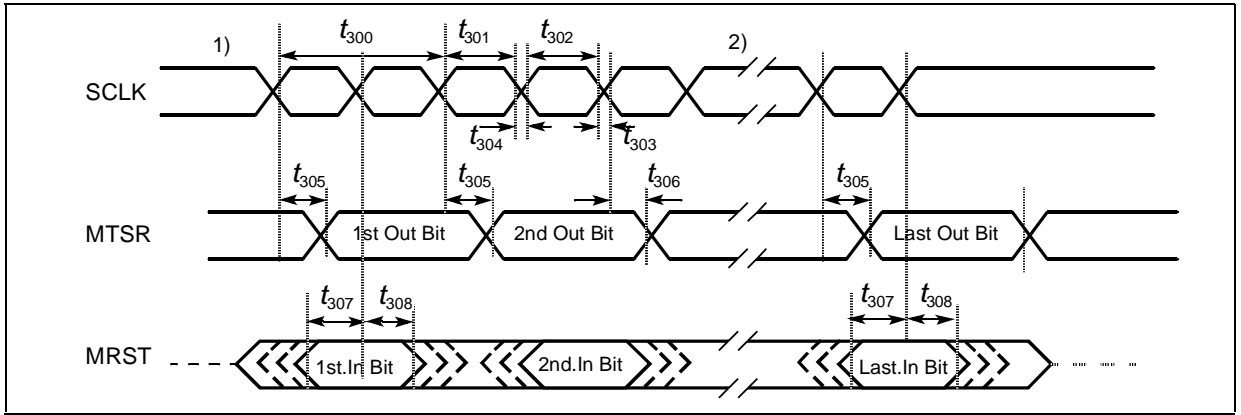
| Symbol | Parameter | Maximum Baud rate=6.25MBd (<SSCBR> = 0001h) | | Variable Baud rate (<SSCBR>=0001h-FFFFh) | | Symbol |
|---------------------|--|---|---------|--|---------|------------------|
| | | Minimum | Maximum | Minimum | Maximum | |
| t ₃₁₈ SR | Read data hold time after latch edge, phase error detection off (SSCPEN = 0) | 41.25 | – | 2TCL + 10 | – | t ₃₁₈ |

Note: 1. Timing guaranteed by design.

The formula for SSC Clock Cycle time is : $t_{300} = 4 \text{ TCL} * (<SSCBR> + 1)$

Where <SSCBR> represents the content of the SSC Baud rate register, taken as unsigned 16-bit integer

Figure 82 : SSC Master Timing



Notes: 1. The phase and polarity of shift and latch edge of SCLK is programmable. This figure uses the leading clock edge as shift edge (drawn in bold), with latch on trailing edge (SSCPH = 0b), Idle clock line is low, leading clock edge is low-to-high transition (SSCPO = 0b).

2. The bit timing is repeated for all bits to be transmitted or received.

21.4.14.2 Slave mode

V_{CC} = 5V ±10%, V_{SS} = 0V, CPU clock = 40MHz, T_A = -40 to +125°C, C_L = 50pF (PQFP144 devices)

| Symbol | Parameter | Maximum Baud rate=10MBd (<SSCBR> = 0001h) | | Variable Baud rate (<SSCBR>=0001h-FFFFh) | | Unit |
|-----------------------------------|---|---|---------|--|------------|------|
| | | Minimum | Maximum | Minimum | Maximum | |
| t ₃₁₀ SR | SSC clock cycle time | 100 | 100 | 8 TCL | 262144 TCL | ns |
| t ₃₁₁ SR | SSC clock high time | 40 | – | t ₃₁₀ /2 - 10 | – | ns |
| t ₃₁₂ SR | SSC clock low time | 40 | – | t ₃₁₀ /2 - 10 | – | ns |
| t ₃₁₃ SR | SSC clock rise time | – | 10 | – | 10 | ns |
| t ₃₁₄ SR | SSC clock fall time | – | 10 | – | 10 | ns |
| t ₃₁₅ CC | Write data valid after shift edge | – | 39 | – | 2 TCL + 14 | ns |
| t ₃₁₆ CC | Write data hold after shift edge | 0 | – | 0 | – | ns |
| t _{317p} SR | Read data setup time before latch edge, phase error detection on (SSCPEN = 1) | 62 | – | 4TCL + 12 | – | ns |
| t _{318p} ¹ SR | Read data hold time after latch edge, phase error detection on (SSCPEN = 1) | 87 | – | 6TCL + 12 | – | ns |

| Symbol | Parameter | Maximum Baud rate=10MBd (<SSCBR> = 0001h) | | Variable Baud rate (<SSCBR>=0001h-FFFFh) | | Unit |
|---------------------|--|--|---------|---|---------|------|
| | | Minimum | Maximum | Minimum | Maximum | |
| t ₃₁₇ SR | Read data setup time before latch edge, phase error detection off (SSCPEN = 0) | 6 | – | 6 | – | ns |
| t ₃₁₈ SR | Read data hold time after latch edge, phase error detection off (SSCPEN = 0) | 31 | – | 2TCL + 6 | – | ns |

The formula for SSC Clock Cycle time is: $t_{310} = 4 \text{ TCL} * (<\text{SSCBR}> + 1)$

Where <SSCBR> represents the content of the SSC Baud rate register, taken as unsigned 16-bit integer.

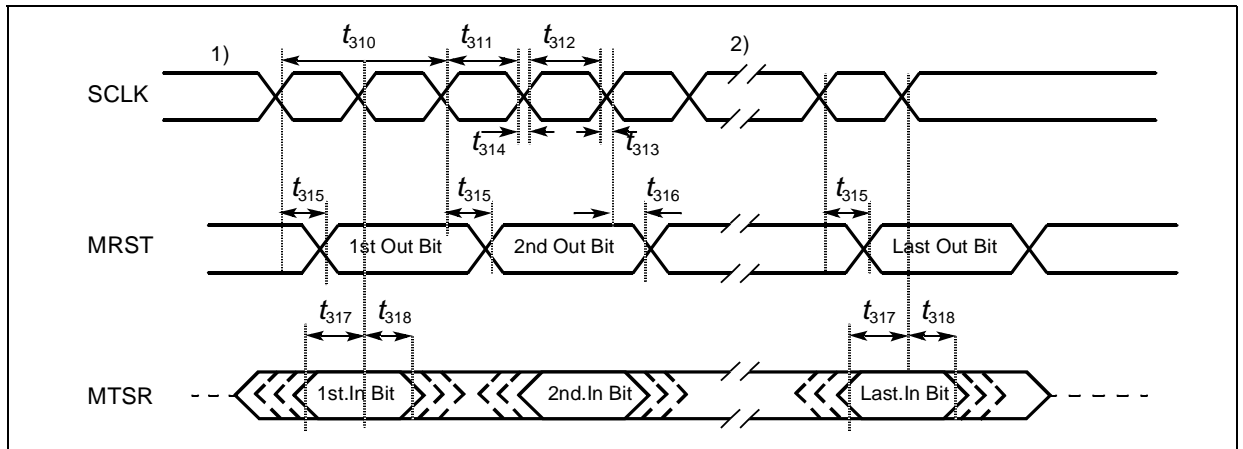
V_{CC} = 5V ±10%, V_{SS} = 0V, CPU clock = 32MHz, T_A = -40 to +125°C, C_L = 50pF (TQFP144 devices)

| Symbol | Parameter | Maximum Baud rate=6.25MBd (<SSCBR> = 0001h) | | Variable Baud rate (<SSCBR>=0001h-FFFFh) | | Unit |
|-----------------------------------|--|--|---------|---|------------|------|
| | | Minimum | Maximum | Minimum | Maximum | |
| t ₃₁₀ SR | SSC clock cycle time | 125 | – | 8 TCL | 262144 TCL | ns |
| t ₃₁₁ SR | SSC clock high time | 52.5 | – | t ₃₁₀ /2 - 10 | – | ns |
| t ₃₁₂ SR | SSC clock low time | 52.5 | – | t ₃₁₀ /2 - 10 | – | ns |
| t ₃₁₃ SR | SSC clock rise time | – | 10 | – | 10 | ns |
| t ₃₁₄ SR | SSC clock fall time | – | 10 | – | 10 | ns |
| t ₃₁₅ CC | Write data valid after shift edge | – | 45.25 | – | 2 TCL + 14 | ns |
| t ₃₁₆ CC | Write data hold after shift edge | 0 | – | 0 | – | ns |
| t _{317p} SR | Read data setup time before latch edge, phase error detection on (SSCPEN = 1) | 78.125 | – | 4TCL + 15.625 | – | ns |
| t _{318p} ¹ SR | Read data hold time after latch edge, phase error detection on (SSCPEN = 1) | 109.375 | – | 6TCL + 15.625 | – | ns |
| t ₃₁₇ SR | Read data setup time before latch edge, phase error detection off (SSCPEN = 0) | 6 | – | 6 | – | ns |
| t ₃₁₈ SR | Read data hold time after latch edge, phase error detection off (SSCPEN = 0) | 41.25 | – | 2TCL + 10 | – | ns |

The formula for SSC Clock Cycle time is: $t_{310} = 4 \text{ TCL} * (<\text{SSCBR}> + 1)$

Where <SSCBR> represents the content of the SSC Baud rate register, taken as unsigned 16-bit integer

Figure 83 : SSC Slave Timing

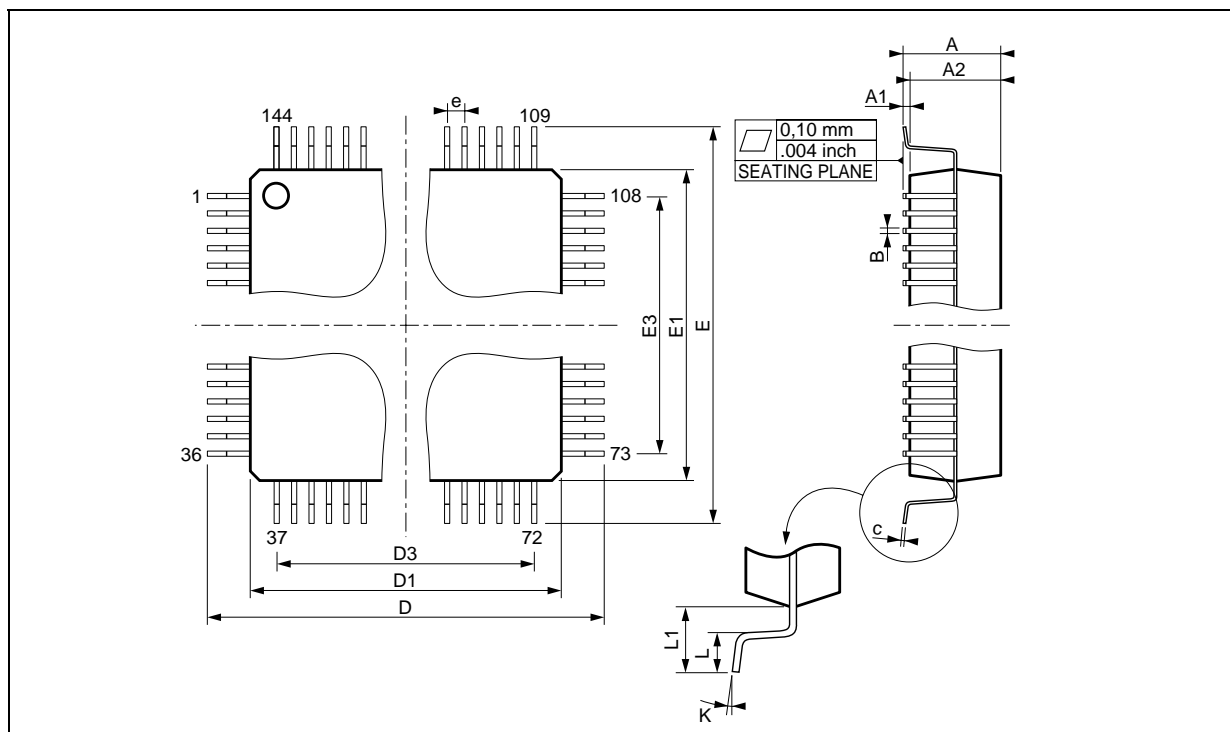


Notes: 1. The phase and polarity of shift and latch edge of SCLK is programmable. This figure uses the leading clock edge as shift edge (drawn in bold), with latch on trailing edge (SSCPH = 0b). Idle clock line is low, leading clock edge is low-to-high transition (SSCPO = 0b).

2. The bit timing is repeated for all bits to be transmitted or received.

22 - PACKAGE MECHANICAL DATA

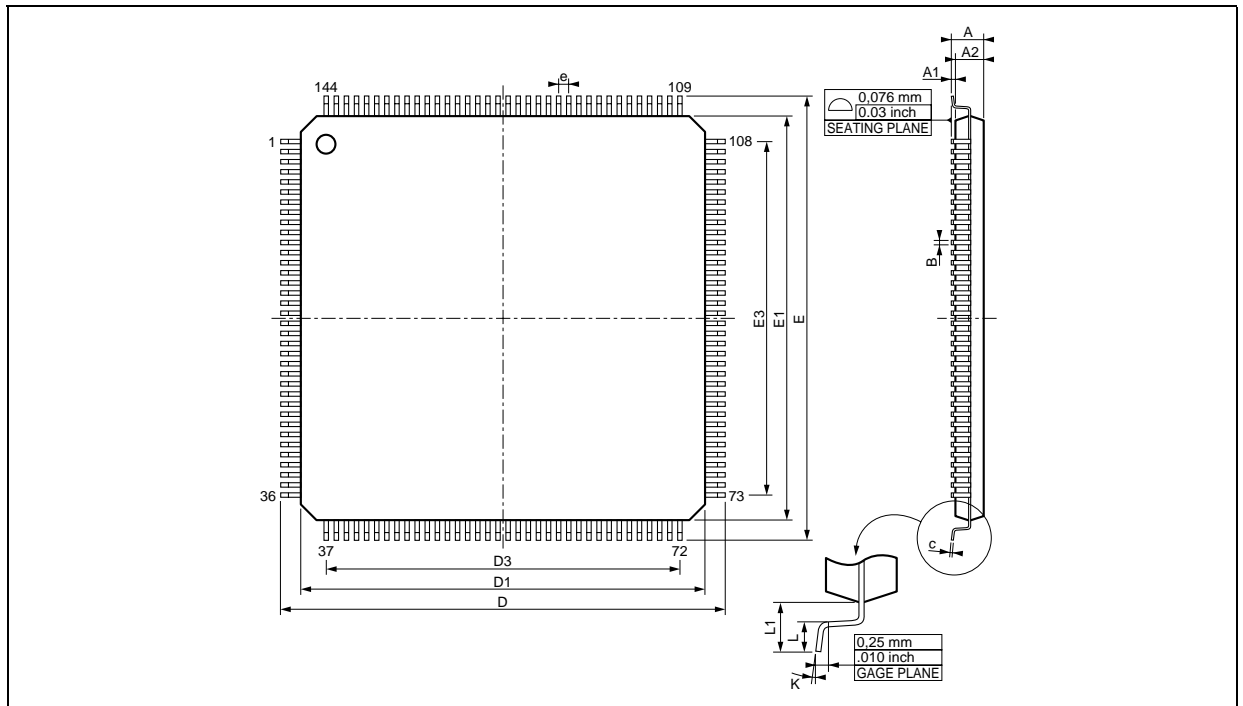
Figure 84 : Package Outline PQFP144 (28 x 28mm)



| Dimensions | Millimeters ¹ | | | Inches (approx) | | |
|------------|----------------------------|---------|---------|-----------------|---------|---------|
| | Minimum | Typical | Maximum | Minimum | Typical | Maximum |
| A | | | 4.07 | | | 0.160 |
| A1 | 0.25 | | | 0.010 | | |
| A2 | 3.17 | 3.42 | 3.67 | 0.125 | 0.133 | 0.144 |
| B | 0.22 | | 0.38 | 0.009 | | 0.015 |
| c | 0.13 | | 0.23 | 0.005 | | 0.009 |
| D | 30.95 | 31.20 | 31.45 | 1.219 | 1.228 | 1.238 |
| D1 | 27.90 | 28.00 | 28.10 | 1.098 | 1.102 | 1.106 |
| D3 | | 22.75 | | | 0.896 | |
| e | | 0.65 | | | 0.026 | |
| E | 30.95 | 31.20 | 31.45 | 1.219 | 1.228 | 1.238 |
| E1 | 27.90 | 28.00 | 28.10 | 1.098 | 1.102 | 1.106 |
| L | 0.65 | 0.80 | 0.95 | 0.026 | 0.031 | 0.037 |
| L1 | | 1.60 | | | 0.063 | |
| K | 0° (Minimum), 7° (Maximum) | | | | | |

Note: 1. Package dimensions are in mm. The dimensions quoted in inches are rounded.

Figure 85 : Package Outline TQFP144 (20 x 20 x 1.40 mm)



| Dimensions | Millimeters ¹ | | | Inches (approx) | | |
|------------|----------------------------|---------|---------|-----------------|---------|---------|
| | Minimum | Typical | Maximum | Minimum | Typical | Maximum |
| A | | | 1.60 | | | 0.063 |
| A1 | 0.05 | | 0.15 | 0.002 | | 0.006 |
| A2 | 1.35 | 1.40 | 1.45 | 0.053 | 0.055 | 0.057 |
| B | 0.17 | 0.22 | 0.27 | 0.0067 | 0.0087 | 0.011 |
| C | 0.09 | | 0.20 | 0.0035 | | 0.008 |
| D | | 22.00 | | | 0.866 | |
| D1 | | 20.00 | | | 0.787 | |
| D3 | | 17.50 | | | 0.689 | |
| e | | 0.50 | | | 0.020 | |
| E | | 22.00 | | | 0.866 | |
| E1 | | 20.00 | | | 0.787 | |
| E3 | | 17.50 | | | 0.689 | |
| L | 0.45 | 0.60 | 0.75 | 0.018 | 0.024 | 0.030 |
| L1 | | 1.00 | | | 0.039 | |
| K | 0° (Minimum), 7° (Maximum) | | | | | |

1. Package dimensions are in mm. The dimensions quoted in inches are rounded.

23 - ORDERING INFORMATION

| Salestype | Flash Program Memory (Bytes) | Temperature range | Package |
|--------------|------------------------------|-------------------|-----------------------------|
| ST10F269Z2Q3 | 256K | -40°C to +125°C | PQFP144 (28 x 28 mm) |
| ST10F269Z2Q6 | 256K | -40°C to +85°C | PQFP144 (28 x 28 mm) |
| ST10F269Z2T3 | 256K | -40°C to +125°C | TQFP144 (20 x 20 x 1.40 mm) |
| ST10F269Z2T6 | 256K | -40°C to +85°C | TQFP144 (20 x 20 x 1.40 mm) |
| ST10F269Z1Q3 | 128K | -40°C to +125°C | PQFP144 (28 x 28 mm) |
| ST10F269Z1Q6 | 128K | -40°C to +85°C | PQFP144 (28 x 28 mm) |
| ST10F269Z1T3 | 128K | -40°C to +125°C | TQFP144 (20 x 20 x 1.40 mm) |
| ST10F269Z1T6 | 128K | -40°C to +85°C | TQFP144 (20 x 20 x 1.40 mm) |



1 - DESCRIPTION

This Errata sheet describes the functional and electrical problems known in the D revision of the ST10F269Zxxx.

The revision number can be found in the third line on the ST10F269 package. It looks like: 'xxxxxxxx D' where "D" identifies the revision number.

2 - FUNCTIONAL PROBLEMS

The following malfunctions are known in this step:

2.1 - PWRDN.1 - Execution of PWRDN Instruction

When instruction PWRDN is executed while pin $\overline{\text{NMI}}$ is at a high level (if PWRDCFG bit is clear in SYSCON register) or while at least one of the port 2 pins used to exit from power-down mode (if PWRDCFG bit is set in SYSCON register) is at the active level, power down mode is not entered, and the PWRDN instruction is ignored.

However, under the conditions described below, the PWRDN instruction is not ignored, and no further instructions are fetched from external memory, i.e. the CPU is in a quasi-idle state.

This problem only occurs in the following situations:

- a) The instructions following the PWRDN instruction are located in an external memory, and a **multi-plexed bus** configuration **with memory tristate waitstate** (bit MT-TCx = 0) is used.

Or

- b) The instruction preceding the PWRDN instruction **writes** to external memory or an XPeripheral (XRAM,CAN), and the instructions following the PWRDN instruction are located in external memory. In this case, the problem occurs for any bus configuration.

Note: The on-chip peripherals are still working correctly, in particular the Watchdog Timer, if not disabled, resets the device upon an overflow. Interrupts and PEC transfers, however, cannot be processed. In case NMI is asserted low while the device is in this quasi-idle state, power-down mode is entered.

No problem occurs if the $\overline{\text{NMI}}$ pin is low (if PWRDCFG = 0) or if all P2 pins used to exit from power-down mode are at inactive level (if PWRDCFG = 1): the chip normally enters powerdown mode.

Workaround:

Ensure that no instruction that writes to external memory or an XPeripheral precedes the PWRDN instruction, otherwise insert a NOP instruction in front of PWRDN. When a multiplexed bus with memory tristate wait state is used, the PWRDN instruction must be executed from internal RAM or XRAM.

2.2 - MAC.9 - CoCMP Instruction Inverted Operands

The ST10 Family Programming Manual describes the CoCMP instruction as: subtracts a 40-bit signed operand from the 40-bit accumulator content (acc - op2\op1), and updates the N, Z and C flags in the MSW register, leaving the accumulator unchanged. On the device the reverse operation (op2\op1 - acc) has been implemented in the Mac Unit. Therefore, the N and C flags are set according to the reverse operation (Z flag is not affected).

Workaround:

Change interpretation of the N and C flags in the MSW register.

Example:

```
MOV      R12, #07h
MOV      R13, #06h
MOV      R14, #0
CoLOAD   R14, R12      ; Accumulator = 70000h
CoCMP    R14, R13      ; Compares 70000h to 60000h
```

Here the content of MSW is 0500h, i.e. C = 1, Z = 0 and N = 1.

To test if the Accumulator was greater than or equal the compared value, the "normal" test, according to the description in the ST10 Programming Manual, would be:

```
JNB      MSW.10, Greater ; If C flag cleared, then greater than or equal
```

With the implementation, this test does not provide the expected result.

To obtain the correct comparison, use instead:

```
JB       MSW.10, Greater ; C flag set: 60000h < 70000h (60000h-70000h implemented)
                          ; i.e. the accumulator is greater than or equal compared value
```

2.3 - MAC.10 - E Flag Evaluation for CoSHR and CoASHR Instructions when Saturation Mode is Enabled

The Logical and the Arithmetic Right Shift instructions (CoSHR/CoASHR) are specified not to be affected by the saturation mode (MS bit of the MCW register): the shift operation is always made on the 40 bits of the accumulator. The result shifted in the accumulator is never saturated. Only when the saturation mode is enabled, the evaluation of the E Flag (in the MSW register) is erroneous.

Comment to the example:

In this example below (Table 1), the E Flag is kept cleared however MAE is used: bit 0 of MAE has been shifted into bit 15 of MAH. The MAE part has been used and it contains significant bits but the E Flag has not been set.

The content of the flags is given after the execution of the instruction.

Table 1 : MAC.10 Example

| MS Bit is Set, Saturation Mode is Enabled | | | Status of Flags After Instruction Execution | | | | | | |
|---|---------------------------|----|---|----|---|---|---|-------------|--|
| Code | Accumulator Value (Hexa.) | SL | E | SV | C | Z | N | Remark | |
| MOV R5, #5555h | -- ---- ---- | - | - | - | - | - | - | - | |
| CoLOAD R5, R5 | 00 5555 5555 | 0 | 0 | 0 | 0 | 0 | 0 | Right | |
| NOP | 00 5555 5555 | 0 | 0 | 0 | 0 | 0 | 0 | Right | |
| MOV MSW, #007Fh | 7F 5555 5555 | 0 | 0 | 0 | 0 | 0 | 0 | Right | |
| NOP | 7F 5555 5555 | 0 | 0 | 0 | 0 | 0 | 0 | Right | |
| CoSHR #1 | 3F AAAA AAAA | 0 | 0* | 0 | 0 | 0 | 0 | *E is wrong | |

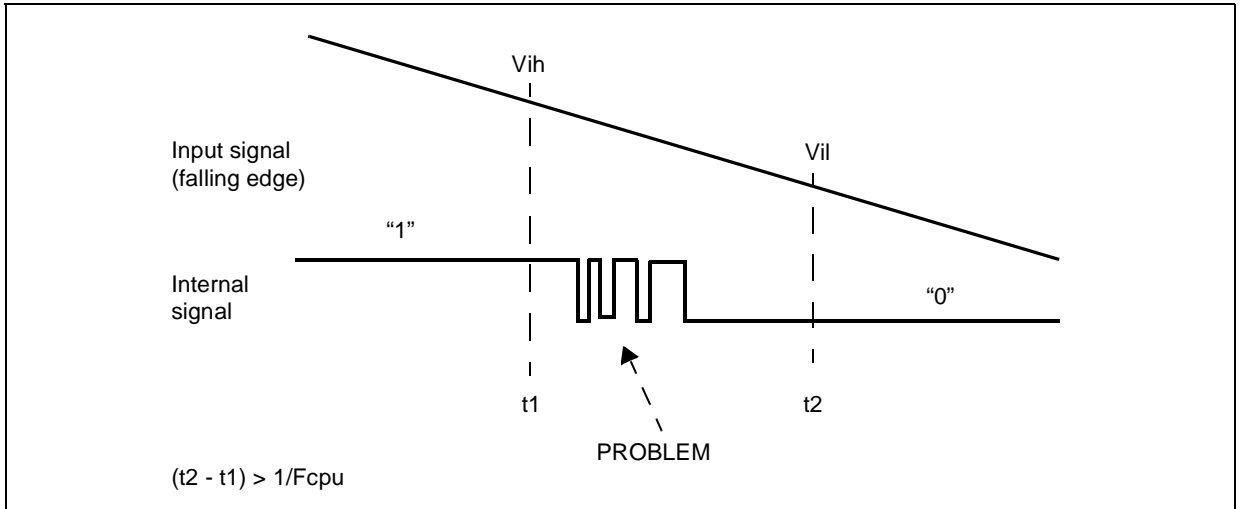
Workaround:

If the MAE flag is used, the saturation mode must be disabled before running Logical and/or Arithmetic Right Shift instructions and re-enable just after.

2.4 - ST_PORT.3 - Bad Behavior of Hysteresis Function on Input Falling Edge

In the following conditions, a slow falling edge on a ST10F269 input may generate multiple events :

- A falling edge is occurring.
- AND the falling edge has a transition time between V_{ih} and V_{il} longer than the CPU clock period.



Workaround:

Add external hardware on the ST10 input in order to have a fast falling edge (lower than $1/F_{cpu}$).

History of Fixed Functional Problems of the ST10F269Zxxx-D

| Name of the Modification | Short Description | Fixed in Step |
|--------------------------|--|---------------|
| ST_PORT.2 | Wrong Port Direction after Return From Power Down Mode | D |

Summary of Remaining Functional Problems Known on the ST10F269Zxxx-D

| Name | Short Description |
|-----------|---|
| PWRDN.1 | Execution of PWRDN Instruction |
| MAC.9 | CoCMP Instruction Inverted Operands |
| MAC.10 | E Flag Evaluation for CoSHR and CoASHR Instructions when Saturation Mode is Enabled |
| ST_PORT.3 | Bad Behavior of Hysteresis Function on Input Falling Edge |

3 - DEVIATIONS FROM DC/AC PRELIMINARY SPECIFICATION

Note on on-chip oscillator

The XTAL2 output is not designed to provide a valid signal when XTAL1 is supplied by an external clock signal. It may happen, if the external clock signal is not perfectly symmetrical and centered on $V_{DD} / 2$, that XTAL2 signal is not equal to XTAL1. This is due to the design of the oscillator, which has a auto-adaptation gain control dedicated to external crystal.

If an external clock signal is directly provided on XTAL1 pin, then leave XTAL2 pin disconnected to achieve the lowest consumption of the on-chip oscillator.

4 - ERRATA SHEET VERSION INFORMATION

This document was released in September 2003. It reflects the current silicon status of the ST10F269Zxxx-D.

Information furnished is believed to be accurate and reliable. However, STMicroelectronics assumes no responsibility for the consequences of use of such information nor for any infringement of patents or other rights of third parties which may result from its use. No license is granted by implication or otherwise under any patent or patent rights of STMicroelectronics. Specifications mentioned in this publication are subject to change without notice. This publication supersedes and replaces all information previously supplied. STMicroelectronics products are not authorized for use as critical components in life support devices or systems without the express written approval of STMicroelectronics.

The ST logo is a registered trademark of STMicroelectronics

©2003 STMicroelectronics - All Rights Reserved.

Purchase of I²C Components by STMicroelectronics conveys a license under the Philips I²C Patent. Rights to use these components in an I²C system is granted provided that the system conforms to the I²C Standard Specification as defined by Philips.

STMicroelectronics Group of Companies

Australia - Brazil - Canada - China - Finland - France - Germany - Hong Kong - India - Israel - Italy - Japan
Malaysia - Malta - Morocco - Singapore - Spain - Sweden - Switzerland - United Kingdom - U.S.A.

<http://www.st.com>

AMEYA360

Components Supply Platform

Authorized Distribution Brand :



Website :

Welcome to visit www.ameya360.com

Contact Us :

➤ Address :

401 Building No.5, JiuGe Business Center, Lane 2301, Yishan Rd
Minhang District, Shanghai , China

➤ Sales :

Direct +86 (21) 6401-6692

Email amall@ameya360.com

QQ 800077892

Skype [ameyasales1](#) [ameyasales2](#)

➤ Customer Service :

Email service@ameya360.com

➤ Partnership :

Tel +86 (21) 64016692-8333

Email mkt@ameya360.com