



7.0-inch WVGA Color TFT

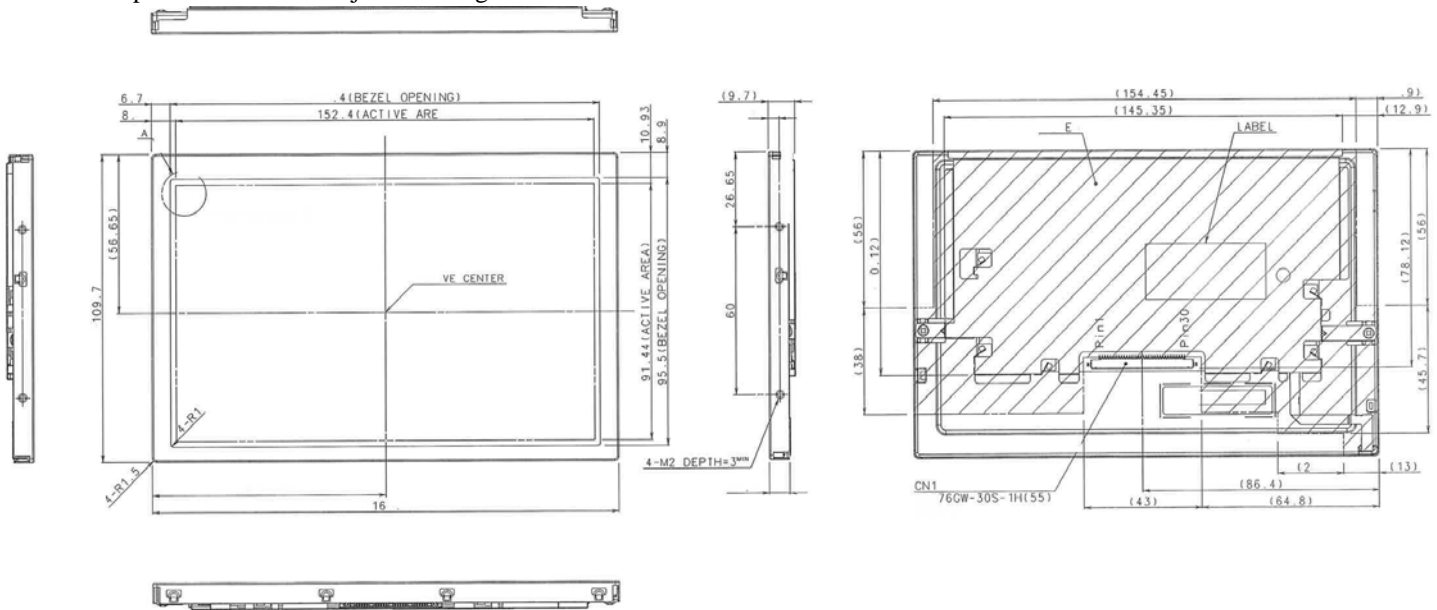
T-55785GD070J-LW-AFN



Kyocera's new 7.0-inch diagonal Super High Bright TFT LCD module with WVGA resolution will provide the ideal solution for outdoor applications. The Advanced Wide Viewing Technology (AWV) achieves a wide viewing angle measuring +/- 85° for both vertical and horizontal (CR ≥ 10). It offers a back-light lifetime of 70K hours, a luminance of 1000 Cd/m² and a 750:1 contrast ratio.

| Item | Specification |
|-------------------------------------|---|
| Resolution / Pixel Configuration | 800 x 480 / RGB Stripe |
| Outline Dimensions (W x H x D mm) | 169.8 x 109.7 x 9.7 mm |
| Active Area (W x H mm) | 152.4 x 91.44 mm |
| Backlight Type / Backlight Lifetime | White LED / 70,000 hrs |
| Luminance (Cd/m ²) | (1000) Cd/m ² |
| Contrast Ratio (CR>10) | 750:1 |
| Electrical Interface | LVDS |
| Viewing Angle | H: +/- 85° ; V: -85~85° (CR ≥ 10) |
| Temperature Range | Operating: -30 ~ 80° C / Storage: -30 ~ 80° C |
| Special Feature(s) | AWV, SHB, built-in LED driver |

Note: Specifications are subject to change without notice.



Ask us about the Value-Added Program
Let us attach your chosen touch screen, connector or provide you with custom cables to meet your needs

For complete technical specifications, application notes or inventory information call 734-416-8500 or visit our website at www.kyocera-display.com

AMEYA360

Components Supply Platform

Authorized Distribution Brand :



Website :

Welcome to visit www.ameya360.com

Contact Us :

➤ Address :

401 Building No.5, JiuGe Business Center, Lane 2301, Yishan Rd
Minhang District, Shanghai , China

➤ Sales :

Direct +86 (21) 6401-6692

Email amall@ameya360.com

QQ 800077892

Skype [ameyasales1](#) [ameyasales2](#)

➤ Customer Service :

Email service@ameya360.com

➤ Partnership :

Tel +86 (21) 64016692-8333

Email mkt@ameya360.com