

PART NAME

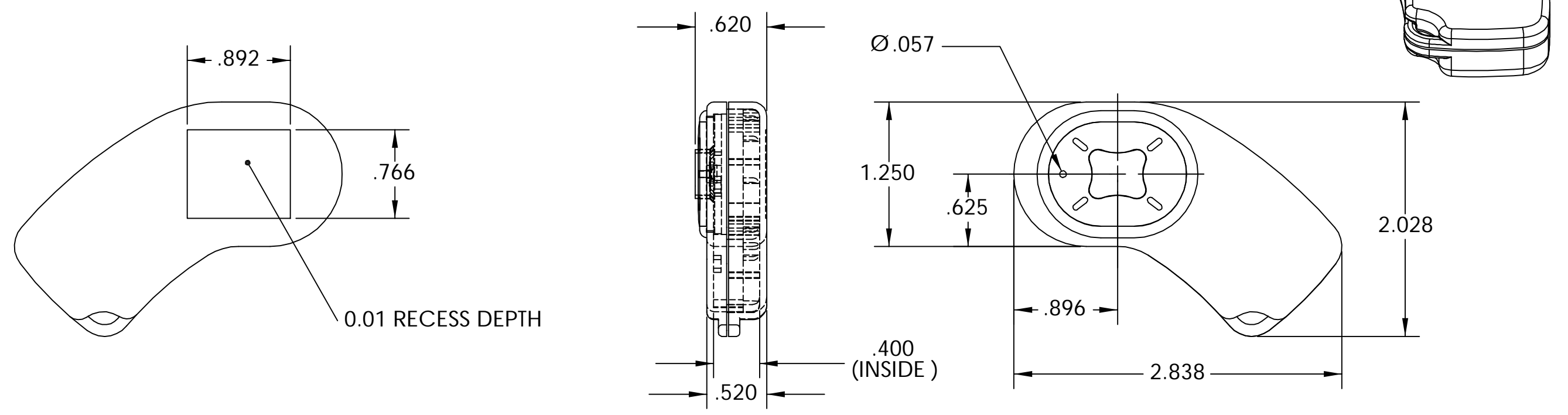
1 BUTTON GRABBER

PART No.

HH - 3501

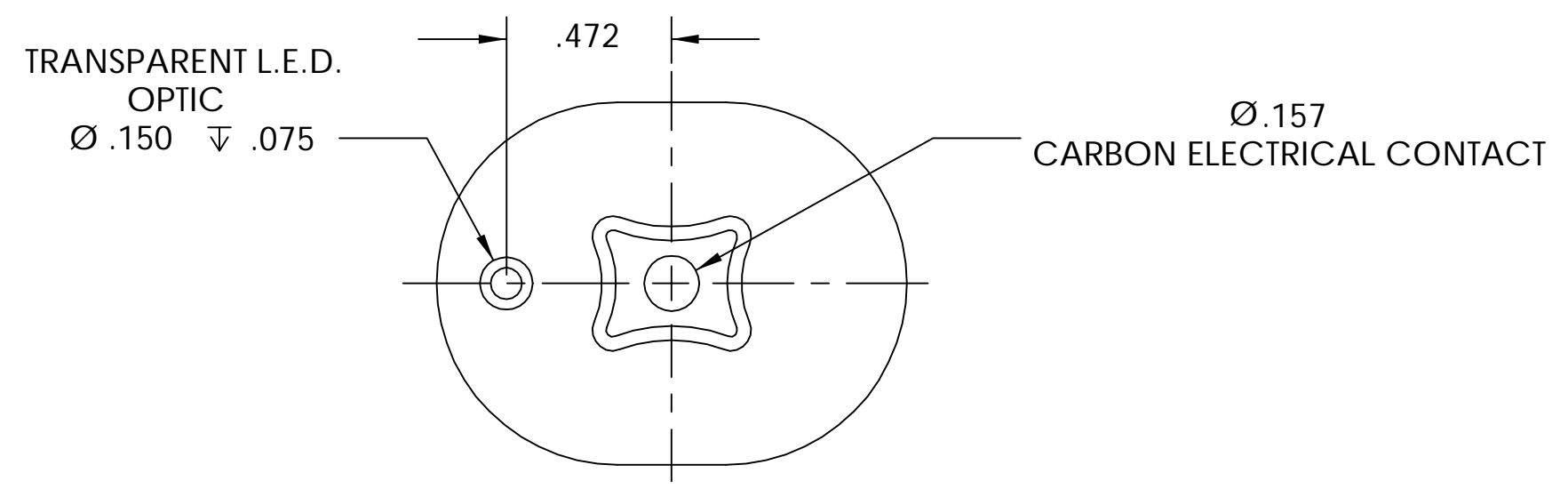
REV. DATE

10-29-08



NOTES:

- 1. ALL DIMENSIONS ARE IN INCHES
- 2. MATERIAL: BODY & COVER - ABS (UL94-HB)  
BUTTON - SILICONE RUBBER
- 3. FINISH: BODY & COVER - TEXTURED  
BUTTON - SMOOTH
- 4. COLOR: BODY & COVER - BLACK  
BUTTON - GRAY
- 5. PCB IS NOT INCLUDED. TO BE SUPPLIED BY CUSTOMER
- 6. SUGGESTED BATTERY TYPE: 20 MM COIN CELL TYPE



BUTTON CONTACTS (2 : 1)

## Authorized Distribution Brand :



## Website :

Welcome to visit [www.ameya360.com](http://www.ameya360.com)

## Contact Us :

### ➤ Address :

401 Building No.5, JiuGe Business Center, Lane 2301, Yishan Rd  
Minhang District, Shanghai , China

### ➤ Sales :

Direct +86 (21) 6401-6692

Email [amall@ameya360.com](mailto:amall@ameya360.com)

QQ 800077892

Skype ameyasales1 ameyasales2

### ➤ Customer Service :

Email [service@ameya360.com](mailto:service@ameya360.com)

### ➤ Partnership :

Tel +86 (21) 64016692-8333

Email [mkt@ameya360.com](mailto:mkt@ameya360.com)