

Temperature probes Thermocouple / Pt100 Part number 79696036



- Thermocouple J :
 - Nickel-plated brass eyelet
 - Stainless steel casing
 - Stainless steel sheath
- Thermocouple K
 - Stainless steel sheath
 - Aluminium vee
- Pt 100 Class B :
 - Stainless steel sheath
 - Aluminium vee
- Connection / Sub-base / Flange
- Pt100 for use with XA03 and XA04 extension
- Thermocouple for use with temperature converter

Part numbers

	Type	Description	Temperature	Characteristics
79696036	Thermocouple / Pt100	Pt100 probe Class B	max : 400 °C	Pt100 probe Class B with sheath - St. steel 316 L Ø 6 mm : 30 mm long Glass filament cable with stainless steel braid : 2 m long - 2-wire assembly

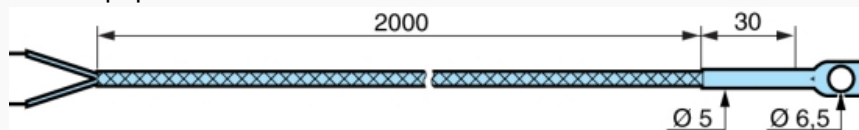
Specifications

Accessories

Accessories	Characteristics	Code
Connection	Sliding connection 1/4 " BSP CYL. St. steel 316 L Ø 3 mm	79696038
Sliding connection 1/4 " BSP CYL. St. steel 316 L Ø 6 mm	79696039	
Sliding connection 1/2 " BSP CYL. St. steel 316 L Ø 6 mm	79696040	
Sub-base	Sliding connection 1/4 " BSP CYL Ø 12 mm Nickel-plated steel	79696041
Flange	Inox flange Ø 6 mm	79696042

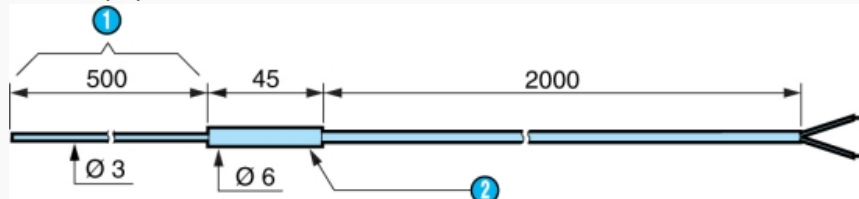
Dimensions (mm)

Thermocouple probe J : 79696030



Dimensions (mm)

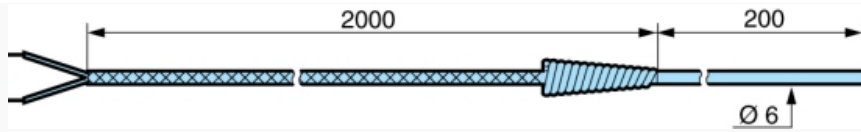
Thermocouple probe J : 79696031



N°	Legend
①	Flexible
②	Stainless steel sleeve

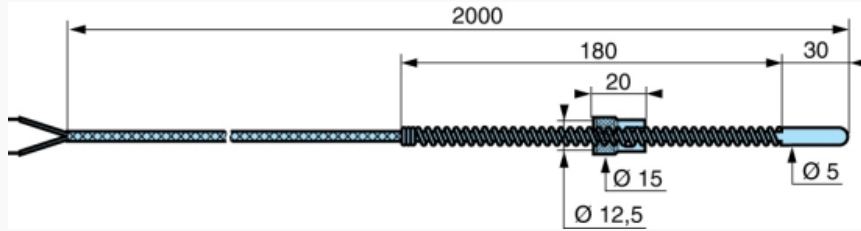
Dimensions (mm)

Thermocouple probe J : 79696032



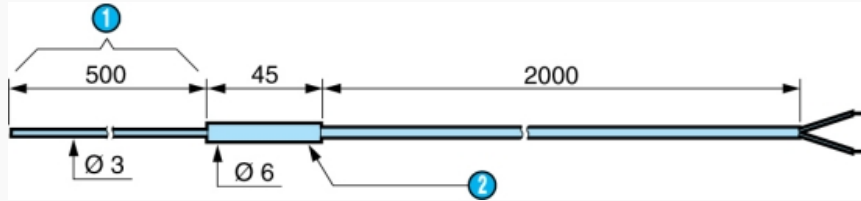
Dimensions (mm)

Thermocouple probe J : 79696033



Dimensions (mm)

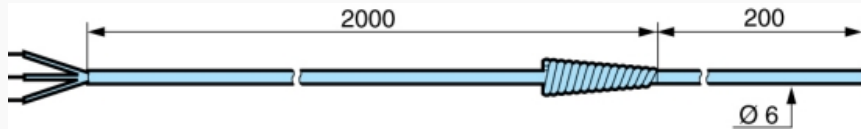
Thermocouple probe K : 79696034



N°	Legend
1	Flexible
2	Stainless steel sleeve

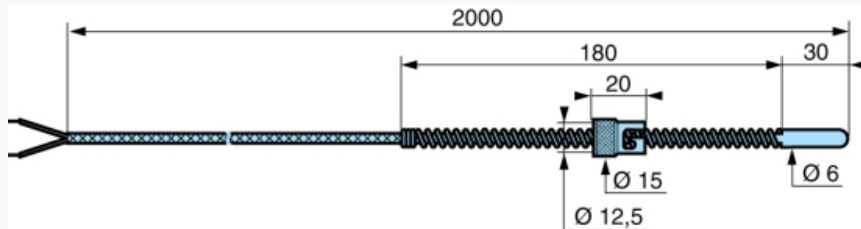
Dimensions (mm)

Pt100 probe Class B : 79696035



Dimensions (mm)

Pt100 probe Class B : 79696036



Dimensions (mm)

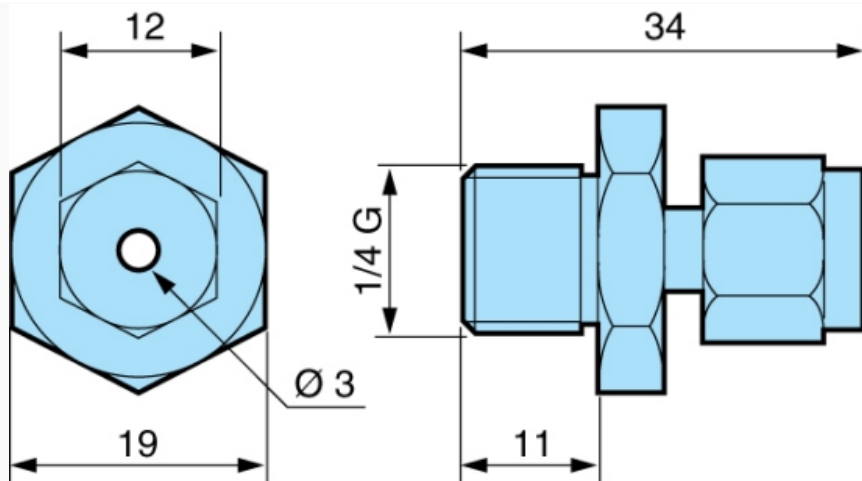
Pt100 probe Class B : 79696037



Aluminium vee (This part is removable)

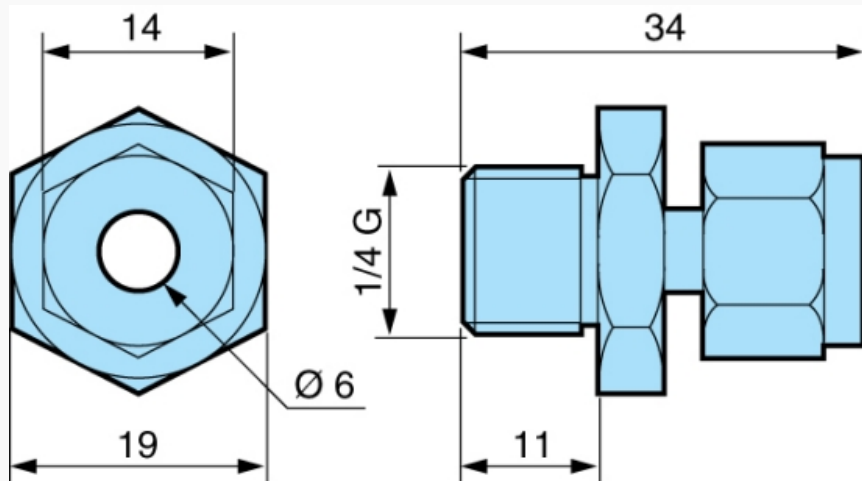
Dimensions (mm)

Connection : 79696038



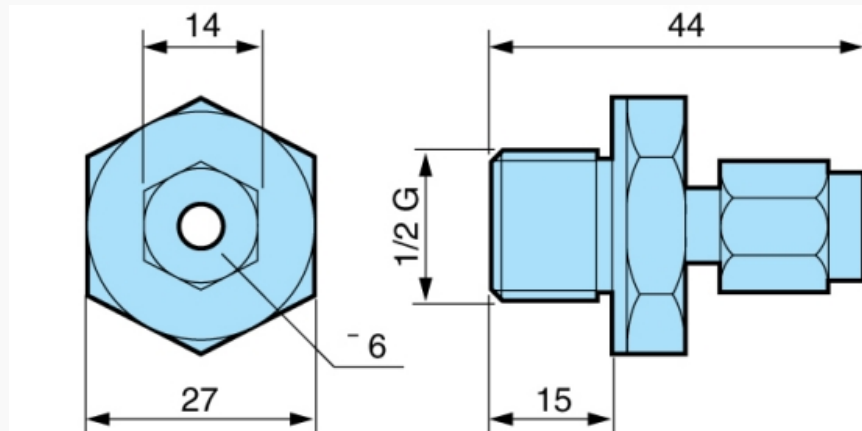
Dimensions (mm)

Connection : 79696039



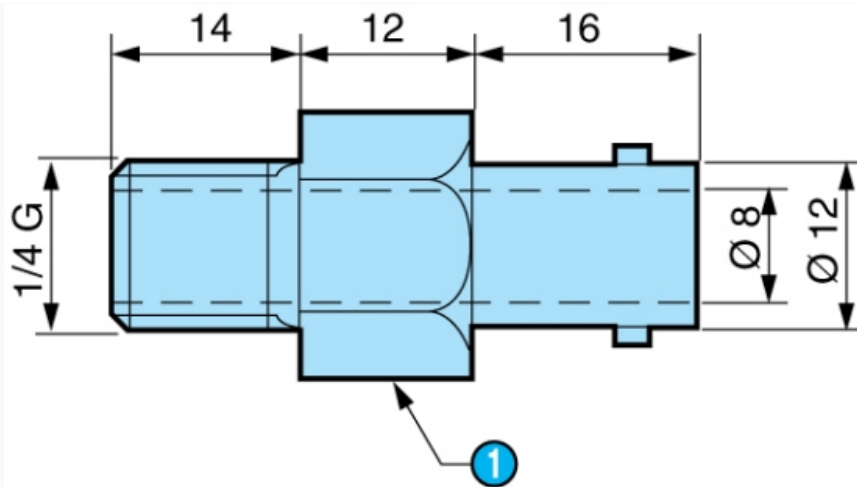
Dimensions (mm)

Connection : 79696040



Dimensions (mm)

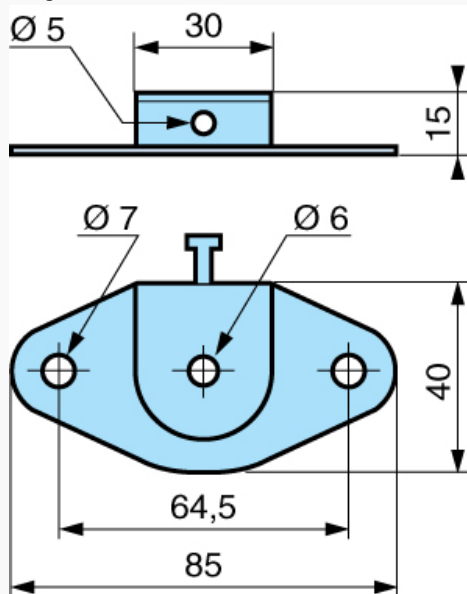
Sub-base : 79696041



N°	Legend
1	17 across flat

Dimensions (mm)

Flange : 79696042



AMEYA360

Components Supply Platform

Authorized Distribution Brand :



Website :

Welcome to visit www.ameya360.com

Contact Us :

➤ Address :

401 Building No.5, JiuGe Business Center, Lane 2301, Yishan Rd
Minhang District, Shanghai , China

➤ Sales :

Direct +86 (21) 6401-6692

Email amall@ameya360.com

QQ 800077892

Skype [ameyasales1](#) [ameyasales2](#)

➤ Customer Service :

Email service@ameya360.com

➤ Partnership :

Tel +86 (21) 64016692-8333

Email mkt@ameya360.com