

SERIES 37F
Piezo Keypads

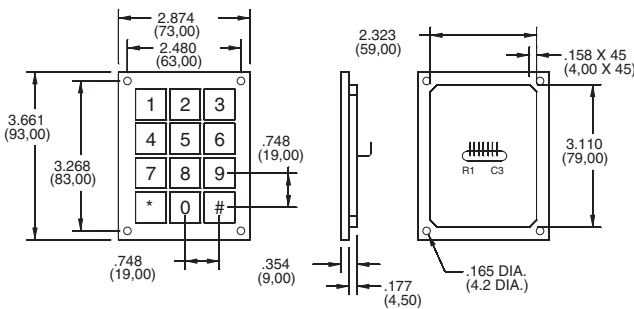
FEATURES

- Fully Sealed
- Virtually Indestructible
- Vandal Resistant
- Indoor and Outdoor Use

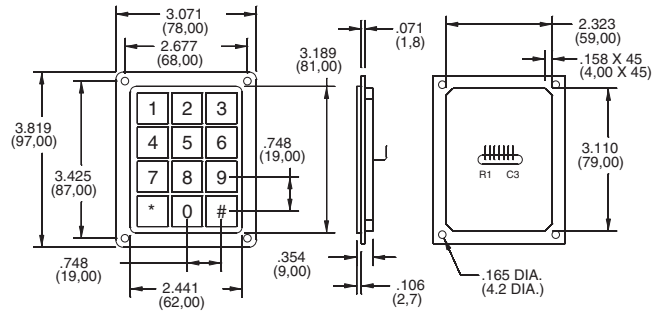


DIMENSIONS in inches (and millimeters)

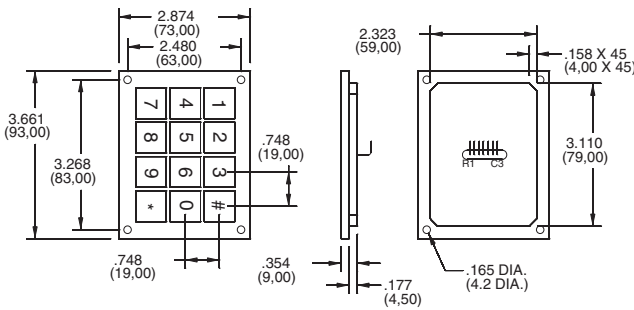
3x4 Keypad



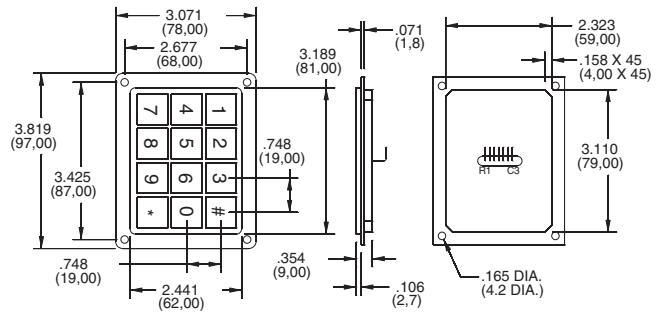
FRONT MOUNT OPT- #1



REAR MOUNT OPT- #3



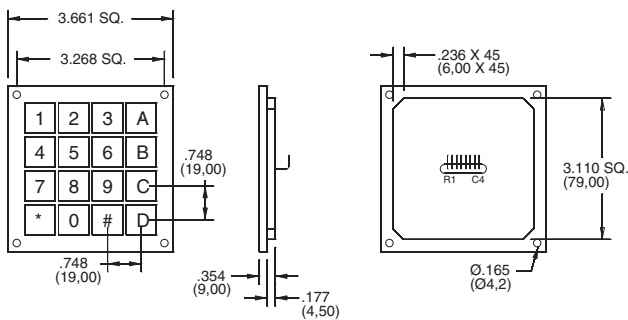
FRONT MOUNT OPT- #2



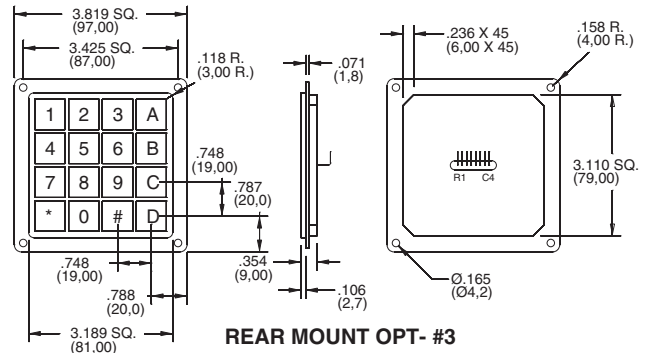
REAR MOUNT OPT- #4

DIMENSIONS in inches (and millimeters)

4X4 Keypad



FRONT MOUNT OPT- #1



REAR MOUNT OPT- #3

CONNECTORS in inches (and millimeters)



Keyboards and Keypads

CODE AND TRUTH TABLES

Truth Table for 3x4 Keypads

SWITCH POSITION	CONNECTOR PIN#						
	1	2	3	4	5	6	7
1				●			●
2				●		●	
3				●	●		
4			●				●
5			●			●	
6			●		●		
7		●					●
8		●				●	
9		●			●		
10	●						●
11	●					●	
12	●			●			

Truth Table for 4x4 Keypads

SWITCH POSITION	CONNECTOR PIN#							
	1	2	3	4	5	6	7	8
1	●				●			
2	●					●		
3	●						●	
4	●							●
5		●			●			
6		●				●		
7		●					●	
8		●						●
9			●		●			
10			●			●		
11			●				●	
12			●					●
13				●	●			
14				●		●		
15				●			●	
16				●				●

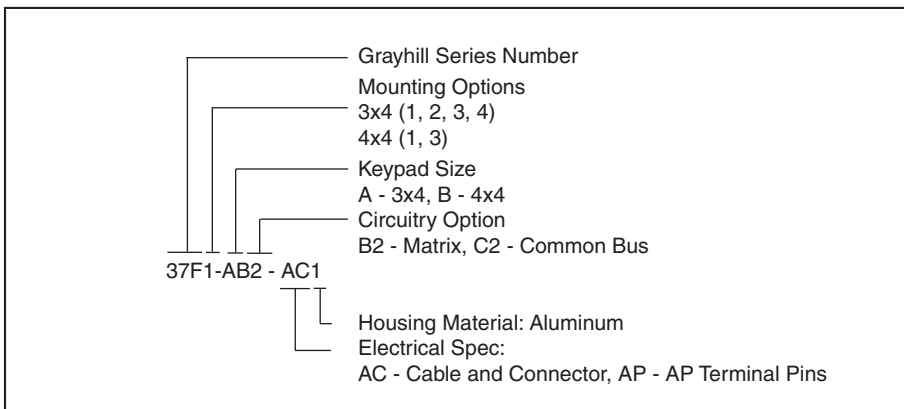
SPECIFICATIONS

Rating Criteria
 Rated Voltage: 0 – 24V AC/DC
 Rated Current: 0 – 2 Amps.
 Resistance “ON”: <10 Ohms.
 Resistance “OFF”: >5 megohms

Switch Capacitance: 25pF
 Switch Functioning: One Shot
 Activation Force: 3-5N Typ.
 Operating Temperature: -40°C to 85°C
 (40° to 125°C upon requested)

Lifecycle: >50 million
 EMI or RFI Effect: None
 Housing Material: Aluminum
 Protection System: IP68
 according to IEC 529.

ORDERING INFORMATION



AMEYA360

Components Supply Platform

Authorized Distribution Brand :



Website :

Welcome to visit www.ameya360.com

Contact Us :

➤ Address :

401 Building No.5, JiuGe Business Center, Lane 2301, Yishan Rd
Minhang District, Shanghai , China

➤ Sales :

Direct +86 (21) 6401-6692

Email amall@ameya360.com

QQ 800077892

Skype [ameyasales1](#) [ameyasales2](#)

➤ Customer Service :

Email service@ameya360.com

➤ Partnership :

Tel +86 (21) 64016692-8333

Email mkt@ameya360.com