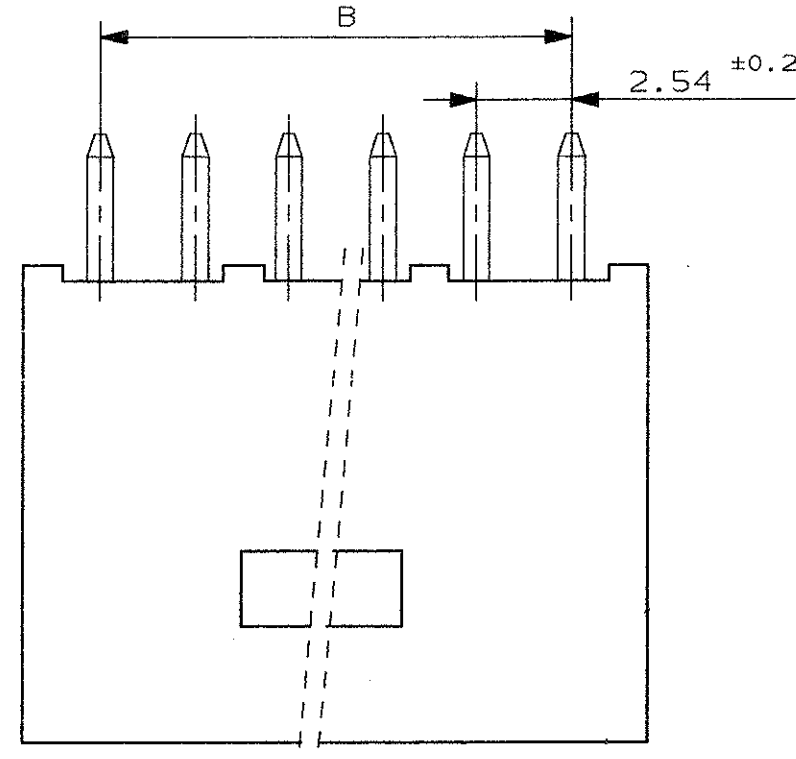


ZONA A SALDARE SU C.S.
(SOLDER AREA)

AREA DI CONTATTO
(CONTACT AREA)

SEZ. PARZIALE (PARTIAL SEC.) A-A



58.5	53.34	280376-3	280376-2 ⁶	280376-1	22
40.7	35.56	280375-3	280375-2	280375-1	15
33.1	27.94	280520-3	280520-2	280520-1	12
28.0	22.86	280374-3	280374-2	280374-1	10
25.4	20.32	280508-3 ⁵	280508-2	280508-1	9
22.9	17.78	280373-3 ⁶	280373-2	280373-1	8
17.8	12.70	280372-3	280372-2	280372-1	6
12.7	7.62	280371-3	280371-2	280371-1	4
7.7	2.54	280370-3	280370-2	280370-1	2
D	B	NUMERO (PART NUMBER) ³	NUMERO (PART NUMBER) ²	NUMERO (PART NUMBER) ¹	NO. POS.

- ¹ FINITURA (FINISH): STAGNATO 3.5µm (TIN PLATED 3.5µm).
- ² FINITURA (FINISH): DORATO 0.4µm NELL'AREA DI CONTATTO E STAGNATO 2.5µm NELLA ZONA A SALDARE, SU 1.3µm DI NI. (DUPLIX PLATED 0.4µm GOLD IN CONTACT AREA AND 2.5µm TIN IN SOLDER AREA, OVER 1.3µm NICKEL).
- ³ FINITURA (FINISH): DORATO 0.8µm NELL'AREA DI CONTATTO E STAGNATO 2.5µm NELLA ZONA A SALDARE, SU 1.3µm DI NI. (DUPLIX PLATED 0.8µm GOLD IN CONTACT AREA AND 2.5µm TIN IN SOLDER AREA, OVER 1.3µm NICKEL).
- ⁴ MATERIALI (MATERIALS):
-BLOCCHETTI: POLIESTERE AUTOESTINGUENTE UL94V-0, COLORE NERO.
(HOUSINGS: FLAME RETARDANT THERMOPLASTIC, COLOR BLACK).
-TIN AND GOLD PLATED CONTACTS: BRASS

⁵ P/N OBSOLETO (OBSOLETE P/N)

⁶ OBSOLETE

CUSTOMER DRAWING FOR REFERENCE ONLY
DISEGNO PER CLIENTE SOLO PER RIFERIMENTO

THIS DRAWING IS UNPUBLISHED
© COPYRIGHT 1998 BY TE INCORPORATED, HARRISBURG, PA. ALL INTERNATIONAL RIGHTS RESERVED. TE PRODUCTS MAY BE COVERED BY U.S. AND FOREIGN PATENT AND/OR PATENT PENDING

TOLLERANZE, SE NON DIVERSAMENTE SPECIFICATO
(TOLERANCES, UNLESS OTHERWISE SPECIFIED)
± 0.3

ANGOLI (ANGLES) ± 2°

DIS. G. CAMPIA 12 FEB 90
DESCRIZIONE (DESCRIPTION) AMPMODU II HEADER ASS. IES, STRAIGHT, SINGLE ROW

REV. M 1
FOGLIO (SHEET) 1 DI (OF) 1

DISTRIBUZIONE (PRINT DIST.)

Authorized Distribution Brand :



Website :

Welcome to visit www.ameya360.com

Contact Us :

➤ Address :

401 Building No.5, JiuGe Business Center, Lane 2301, Yishan Rd
Minhang District, Shanghai , China

➤ Sales :

Direct +86 (21) 6401-6692

Email amall@ameya360.com

QQ 800077892

Skype ameyasales1 ameyasales2

➤ Customer Service :

Email service@ameya360.com

➤ Partnership :

Tel +86 (21) 64016692-8333

Email mkt@ameya360.com