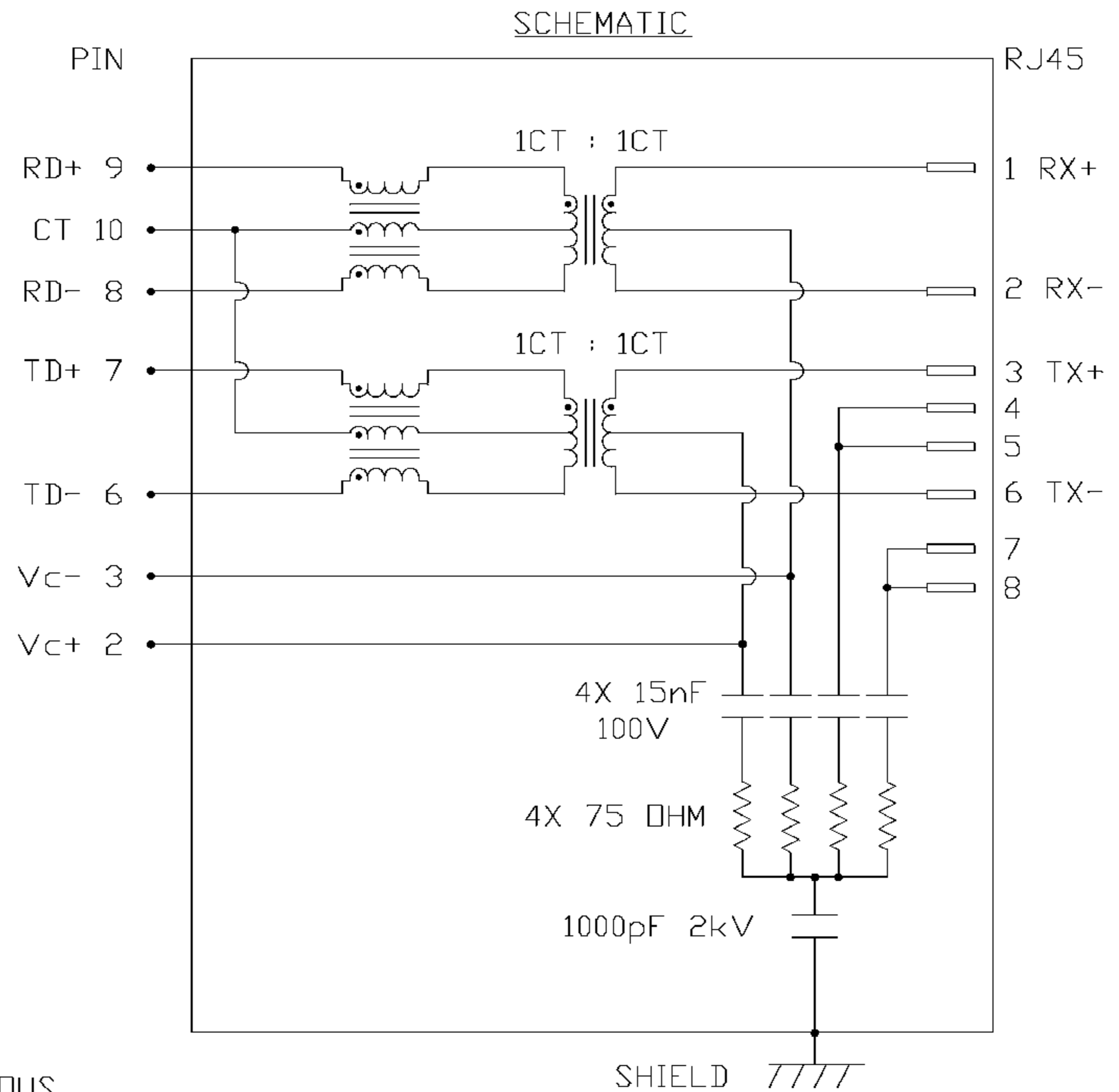


THE INFORMATION CONTAINED HEREIN IS CONSIDERED "PROPRIETARY" TO BEL FUSE INC. AND SHALL NOT BE COPIED, REPRODUCED OR DISCLOSED WITHOUT THE WRITTEN APPROVAL OF BEL FUSE INC.



ELECTRICAL CHARACTERISTICS @ 25°C

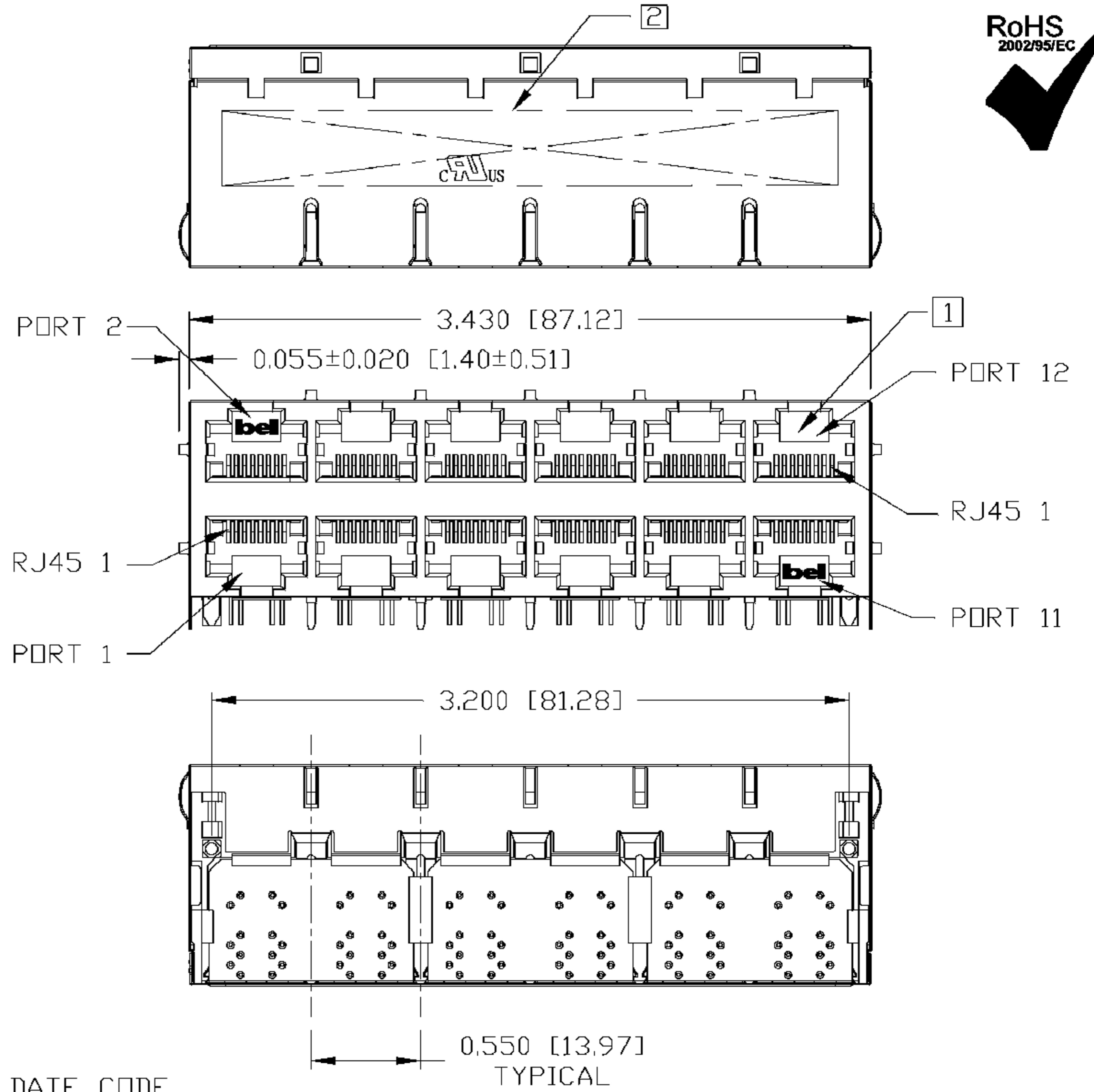
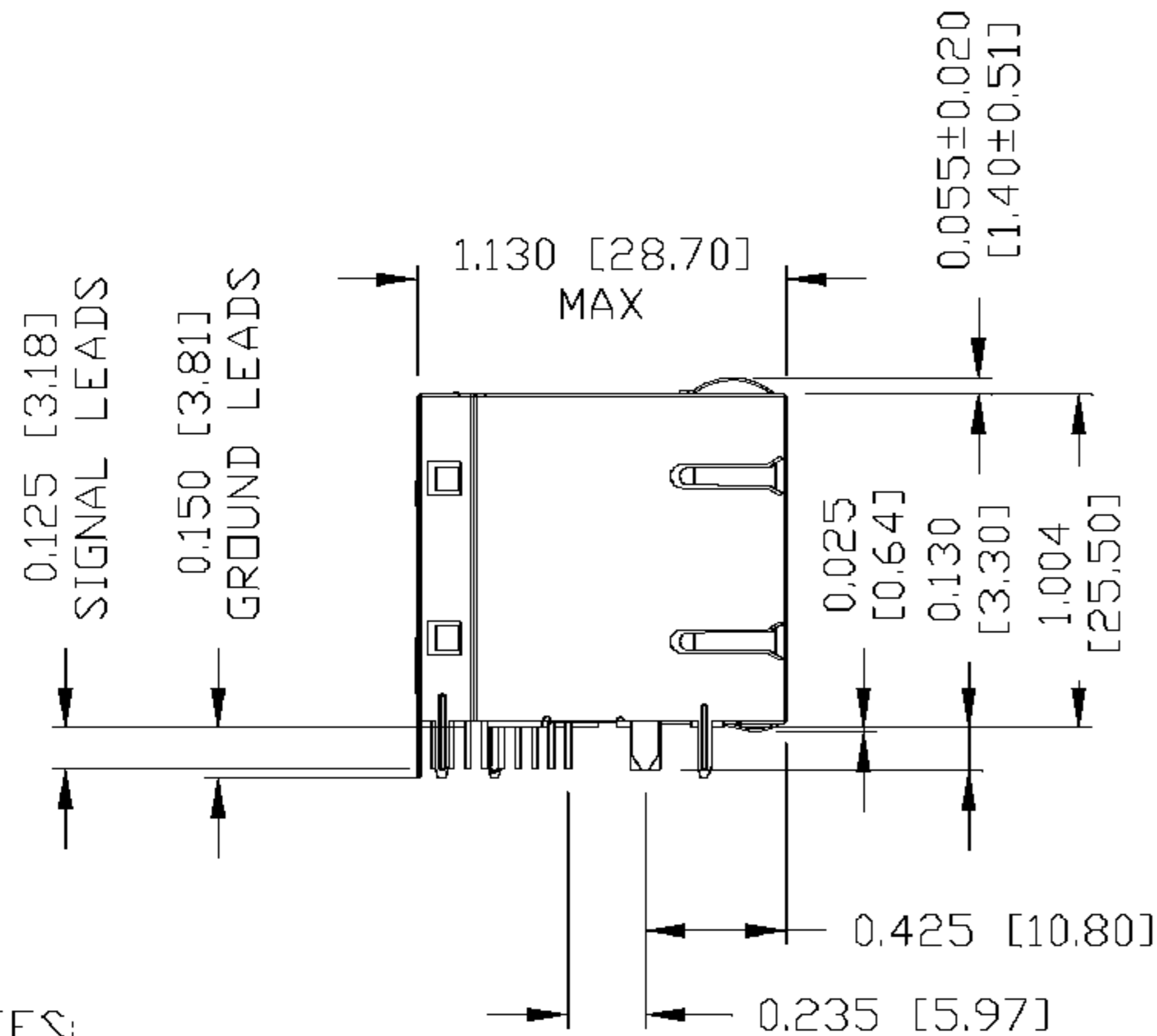
|  |   |
|--|---|
| <p>                 TURNS RATIO<br/>                 OCL @ 0.1V, 100KHz<br/>                 8mA DC BIAS<br/>                 INSERTION LOSS<br/>                 100KHz TO 100MHZ<br/>                 RETURN LOSS (MIN.)<br/>                 2MHz-30MHz<br/>                 60MHz-80MHz<br/>                 LEAKAGE INDUCTANCE<br/>                 PRIMARY W/ SECONDARY SHORTED<br/>                 D.C. RESISTANCE<br/>                 (9-8)=(7-6)<br/>                 (RJ1-RJ2)=(RJ3-RJ6)<br/>                 INTERWINDING CAPACITANCE<br/>                 PER CHANNEL (PRI. to SEC.)<br/>                 XTALK<br/>                 100KHz TO 100MHZ<br/>                 HIPOT (Isolation Voltage):<br/>                 100% OF PRODUCTION TESTED TO COMPLY WITH<br/>                 IEEE 802.3 ISOLATION REQUIREMENTS.<br/>                 BALANCED DC LINE CURRENT<br/>                 350 mA MAX. @ 57 VDC CONTINUOUS<br/>                 500 mA MAX. @ 57 VDC FOR 200 MILLISECONDS             </p> | <p>                 1CT : 1CT ±2%<br/>                 350µH MIN.<br/>                 -1.5 dB MAX.<br/>                 -16 dB MIN.<br/>                 -10 dB MIN.<br/>                 0.25µH MAX. @ 1MHz<br/>                 1.4 ΩM .<br/>                 1.0 ΩM .<br/>                 40 pF MAX.<br/>                 -30 dB MIN.<br/>                 2250 VDC             </p> |
|--|---|



|                         |                  |                               |  |               |   |                              |           |   |
|-------------------------|------------------|-------------------------------|--|---------------|---|------------------------------|-----------|---|
| ORIGINATED BY<br>WCCHOW | DATE<br>11-13-07 | TITLE<br>2X6 MagJack®<br>VOIP | PART NO. / DRAWING NO.<br>08332X6R55-F | STANDARD DIM. |   | [ ] METRIC DIM. AS REFERENCE |           | bel                                     |
|                         |                  |                               |  | TOL. IN INCH  |   | UNIT : INCH [mm]             | REV. : B  |   |
| DRAWN BY<br>LEE WEI DE  | DATE<br>11-13-07 | 0833-2X6R-55-F                | FILE NAME<br>08332X6R55-F_B.DWG        | .X            | / | SCALE : N/A                  | SIZE : A4 | COMPONENTS FOR A<br>CONNECTED<br>PLANET |
|                         |                  |                               |  | .XX           |   | ⊕                            | PAGE : 2  |   |
|                         |                  |                               |  | .XXX          |   |                              |           |   |

THE INFORMATION CONTAINED HEREIN IS CONSIDERED "PROPRIETARY" TO BEL FUSE INC. AND SHALL NOT BE COPIED, REPRODUCED OR DISCLOSED WITHOUT THE WRITTEN APPROVAL OF BEL FUSE INC.

RoHS  
2002/95/EC



NOTES:

PLASTIC HOUSING: THERMOPLASTIC PBT  
 FLAMMABILITY RATING UL 94V-0  
 CONTACT PLATING: 50 MICRO-INCH HARD GOLD PLATING  
 OUTPUT PINS: TIN-COATED COPPER WIRE, DIA 0.018 INCH.  
 METAL SHIELD: NICKEL PLATED ON COPPER ALLOY.  
 (ALL GROUND LEADS ARE SOLDER DIPPED)

- [1] JACK CAVITY CONFORMS TO FCC RULES AND REGULATIONS, PART 68 SUBPART F.
- [2] MARK PART WITH MFG LOGO, MFG NAME, PART NUMBER, AND DATE CODE.

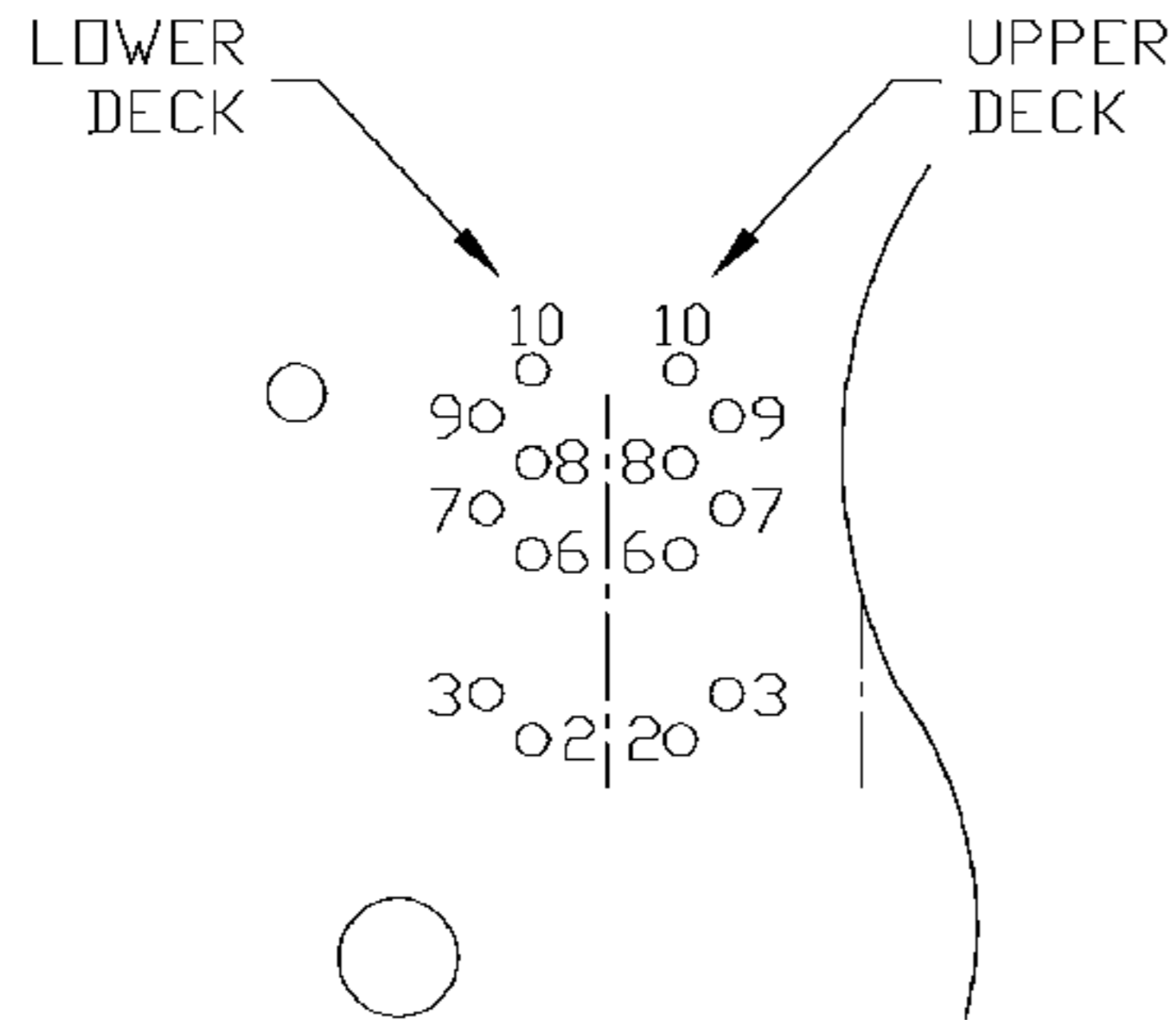
**UL** US UL RECOGNIZED - FILE #E196366 AND E169987.

RoHS COMPLIANCE, PER EU DIRECTIVE 2002/95/EC.

|                          |                  |                               |  |                               |                              |  |           |
|--------------------------|------------------|-------------------------------|--|-------------------------------|------------------------------|--|-----------|
| ORIGINATED BY<br>LIU QIN | DATE<br>11-13-07 | TITLE<br>2X6 MagJack®<br>VOIP | PART NO. / DRAWING NO.<br>08332X6R55-F | STANDARD DIM.<br>TOL. IN INCH | [ ] METRIC DIM. AS REFERENCE | <p>COMPONENTS FOR A<br/>CONNECTED<br/>PLANET</p> |           |
| DRAWN BY<br>CHEN TING    | DATE<br>11-13-07 | 0833-2X6R-55-F                | FILE NAME<br>08332X6R55-F_B.DWG        | .X                            | UNIT : INCH [mm]             |  | REV. : B  |
|                          |                  |                               |  | .XX                           | SCALE : N/A                  |  | SIZE : A4 |
|                          |                  |                               |  | .XXX                          | ±0.010                       | PAGE : 3   |           |

THE INFORMATION CONTAINED HEREIN IS CONSIDERED "PROPRIETARY" TO BEL FUSE INC. AND SHALL NOT BE COPIED, REPRODUCED OR DISCLOSED WITHOUT THE WRITTEN APPROVAL OF BEL FUSE INC.

RoHS  
2002/95/EC

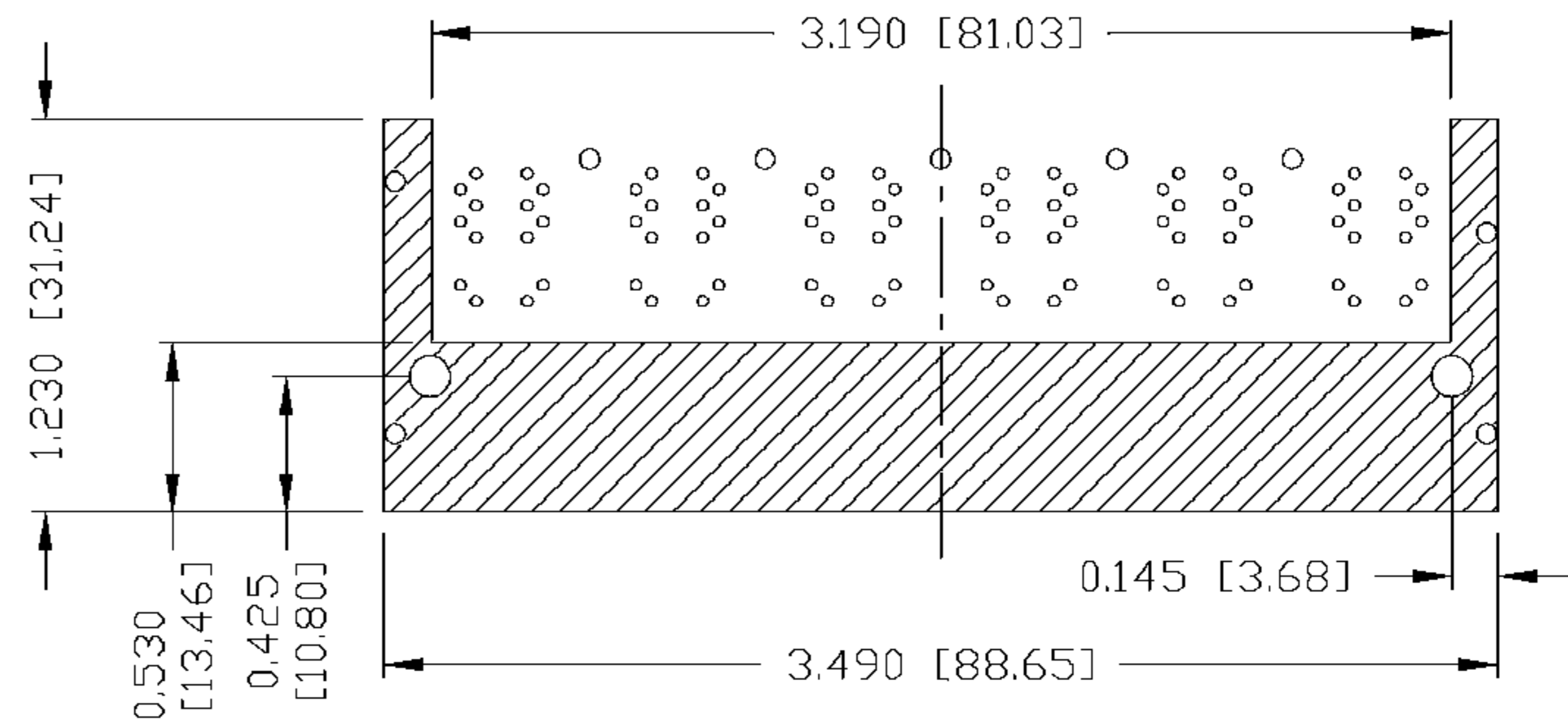
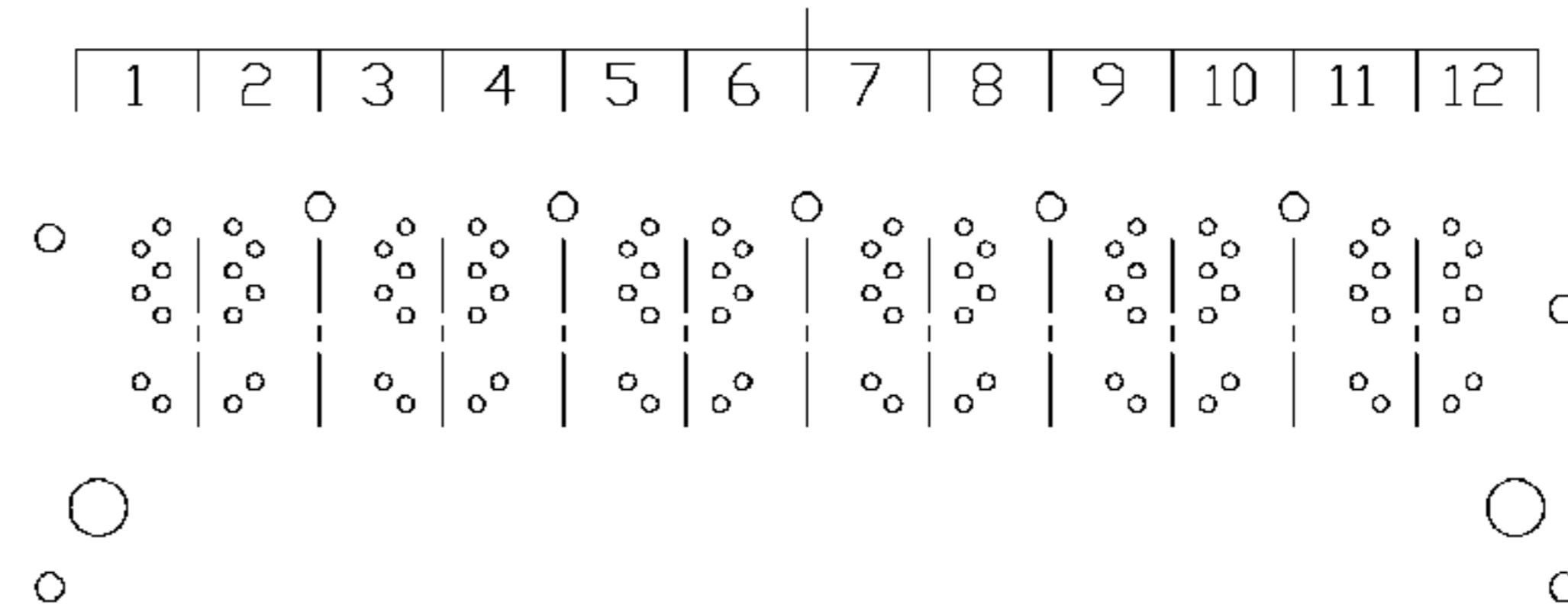


PIN-OUT INFORMATION  
(COMPONENT SIDE VIEW)

|    |           |
|----|-----------|
| 10 | COMMON CT |
| 9  | RD+       |
| 8  | RD-       |
| 7  | TD+       |
| 6  | TD-       |
| 5  | NO PIN    |
| 4  | NO PIN    |
| 3  | Vc-       |
| 2  | Vc+       |
| 1  | NO PIN    |

UNUSED PIN LOCATIONS MUST BE REMOVED TO ENSURE 2KV ISOLATION.

PORT ASSIGNMENT  
(COMPONENT SIDE VIEW)

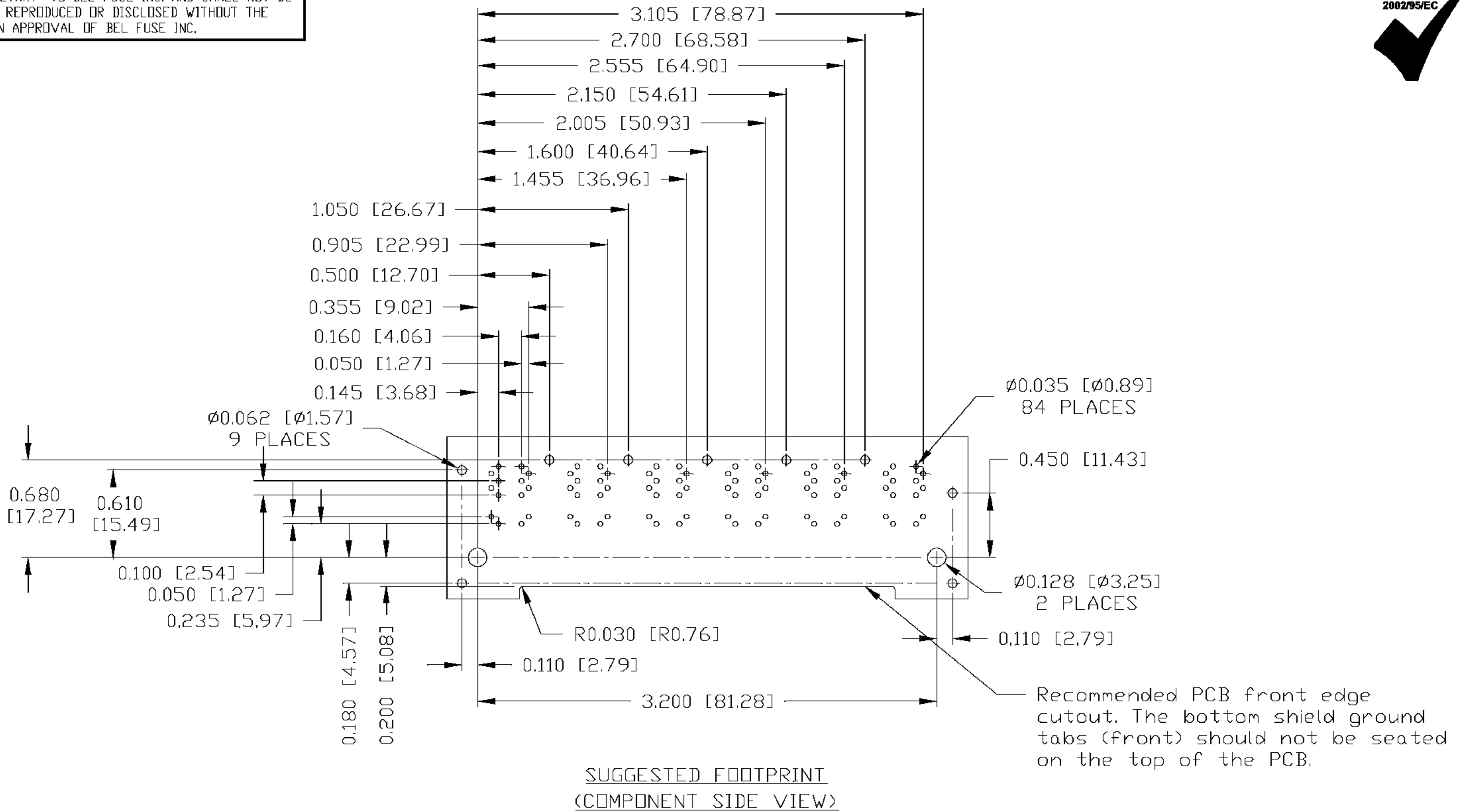


THE SHADED AREA ON THE CUSTOMER BOARD ARE RECOMMENDED TO BE CLEAR OFF ANY VIA HOLE OR COMPONENT PAD.

|                          |                  |                               |  |                               |                              |  |
|--------------------------|------------------|-------------------------------|--|-------------------------------|------------------------------|--|
| ORIGINATED BY<br>LIU QIN | DATE<br>11-13-07 | TITLE<br>2X6 MagJack®<br>VOIP | PART NO. / DRAWING NO.<br>08332X6R55-F | STANDARD DIM.<br>TOL. IN INCH | [ ] METRIC DIM. AS REFERENCE | <p>COMPONENTS FOR A CONNECTED PLANET</p> |
| DRAWN BY<br>CHEN TING    | DATE<br>11-13-07 | 0833-2X6R-55-F                | FILE NAME<br>08332X6R55-F_B.DWG        | .X                            | UNIT : INCH [mm]             |  |
|                          |                  |                               |  | .XX                           | SCALE : N/A                  |  |
|                          |                  |                               |  | .XXX                          | ±0.004                       | REV. : B<br>SIZE : A4<br>PAGE : 4        |

THE INFORMATION CONTAINED HEREIN IS CONSIDERED "PROPRIETARY" TO BEL FUSE INC. AND SHALL NOT BE COPIED, REPRODUCED OR DISCLOSED WITHOUT THE WRITTEN APPROVAL OF BEL FUSE INC.

RoHS  
2002/95/EC



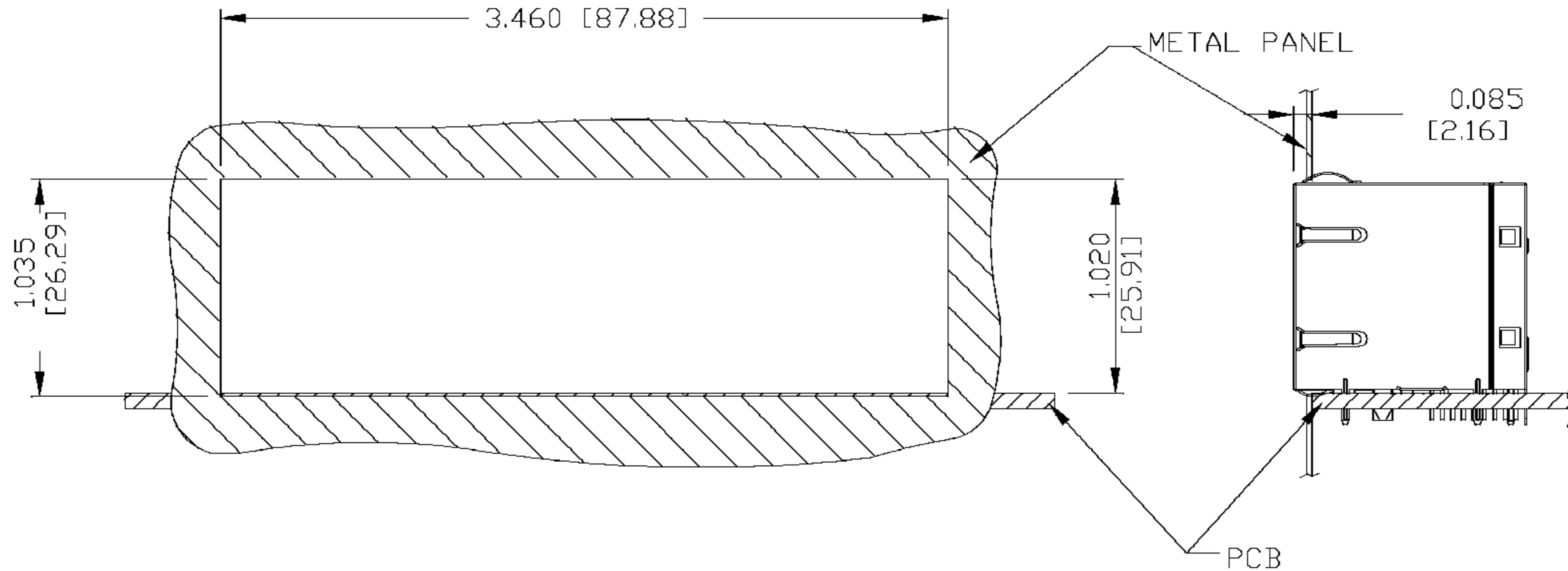
|                          |                  |                               |  |                               |                              |                                       |
|--------------------------|------------------|-------------------------------|--|-------------------------------|------------------------------|---------------------------------------|
| ORIGINATED BY<br>LIU QIN | DATE<br>11-13-07 | TITLE<br>2X6 MagJack®<br>VOIP | PART NO. / DRAWING NO.<br>08332X6R55-F | STANDARD DIM.<br>TOL. IN INCH | [ ] METRIC DIM. AS REFERENCE | <br>COMPONENTS FOR A CONNECTED PLANET |
| DRAWN BY<br>CHEN TING    | DATE<br>11-13-07 | TITLE<br>0833-2X6R-55-F       | FILE NAME<br>08332X6R55-F_B.DWG        | .X                            | UNIT : INCH [mm]             |                                       |
|                          |                  |                               |  | .XX<br>.XXX                   | SCALE : N/A                  |                                       |
|                          |                  |                               |  | ±0.004                        |                              | REV. : B<br>SIZE : A4<br>PAGE : 5     |

THE INFORMATION CONTAINED HEREIN IS CONSIDERED "PROPRIETARY" TO BEL FUSE INC. AND SHALL NOT BE COPIED, REPRODUCED OR DISCLOSED WITHOUT THE WRITTEN APPROVAL OF BEL FUSE INC.

RoHS  
2002/95/EC



SUGGESTED PANEL OPENING



NOTE:

THE DISTANCE OF PANEL INSIDE SURFACE RELATIVE TO FRONT SURFACE OF PART IS ONLY A SUGGESTION. IN CASE THIS DISTANCE IS DIFFERENT, THE REQUIRED PANEL OPENING DIMENSIONS CHANGE ACCORDINGLY.

PACKING INFORMATION

PACKING TRAY : 0200-9999-A9 (TOP)

0200-9999-A8 (BOTTOM)

PACKING QUANTITY : 15 PCS FINISHED GOODS PER TRAY

7 TRAYS (105 PCS FINISHED GOODS) PER CARTON BOX

NOTE : CARDBOARDS ARE PLACED BETWEEN LAYERS OF PACKING TRAY INSIDE CARTON BOX  
(INCLUDE THE UPPERMOST AND LOWERMOST TRAY)

|                          |                  |                               |  |                               |                                      |
|--------------------------|------------------|-------------------------------|--|-------------------------------|--------------------------------------|
| ORIGINATED BY<br>LIU QIN | DATE<br>11-13-07 | TITLE<br>2X6 MagJack®<br>VDIP | PART NO. / DRAWING NO.<br>08332X6R55-F | STANDARD DIM.<br>TOL. IN INCH | [ ] METRIC DIM. AS REFERENCE         |
| DRAWN BY<br>CHEN TING    | DATE<br>11-13-07 | 0833-2X6R-55-F                | FILE NAME<br>08332X6R55-F_B.DWG        | .X<br>.XX<br>.XXX             | UNIT : INCH [mm]<br>SCALE : N/A<br>⊕ |
|                          |                  |                               |  | ±0.004                        | REV. : B<br>SIZE : A4<br>PAGE : 6    |



Authorized Distribution Brand :



Website :

Welcome to visit [www.ameya360.com](http://www.ameya360.com)

Contact Us :

➤ Address :

401 Building No.5, JiuGe Business Center, Lane 2301, Yishan Rd  
Minhang District, Shanghai , China

➤ Sales :

Direct +86 (21) 6401-6692

Email [amall@ameya360.com](mailto:amall@ameya360.com)

QQ 800077892

Skype ameyasales1 ameyasales2

➤ Customer Service :

Email [service@ameya360.com](mailto:service@ameya360.com)

➤ Partnership :

Tel +86 (21) 64016692-8333

Email [mkt@ameya360.com](mailto:mkt@ameya360.com)