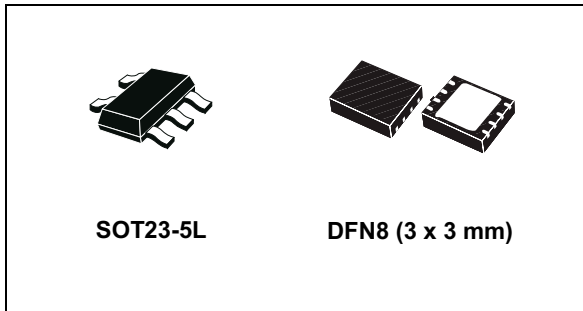


High input voltage 85 mA LDO linear regulator

Datasheet - production data



Features

- 4.3 V to 24 V input voltage
- Low-dropout voltage (500 mV typ. at 85 mA)
- Very low quiescent current (5 μ A typ. at full load)
- 85 mA guaranteed output current
- Output voltages 3.3V, 4.2V and 5.0V (other versions available on request)
- Compatible with ceramic output capacitors from 0.47 μ F to 10 μ F
- Internal current limit
- Packages: SOT23-5L, and DFN8 (3x3 mm)
- Temperature range: from -40 °C to 125 °C

Applications

- Mobile phones
- Industrial
- battery-powered systems

Description

The LDK715 is a high voltage, ultra low quiescent current and low drop linear regulator capable of providing an output current in excess of 85 mA. The device operates over an input voltage range from 4.3 V to 24 V, and it is stable with output ceramic capacitors. Fault condition protection includes short-circuit current limitation. The ultra low quiescent current of 5 μ A at full load makes it highly suitable for low power applications and battery-powered systems. The wide input voltage range makes the LDK715 an ideal solution for low power industrial applications. The LDK715 is available in SOT23-5, or DFN8 (3x3 mm) 8 leads.

Table 1. Device summary

Order codes		Output voltage
SOT23-5L	DFN8 (3x3 mm)	
LDK715M33R ⁽¹⁾	LDK715PU33R ⁽¹⁾	3.3 V
LDK715M42R	LDK715PU42R ⁽¹⁾	4.2 V
LDK715M50R	LDK715PU50R ⁽¹⁾	5.0 V

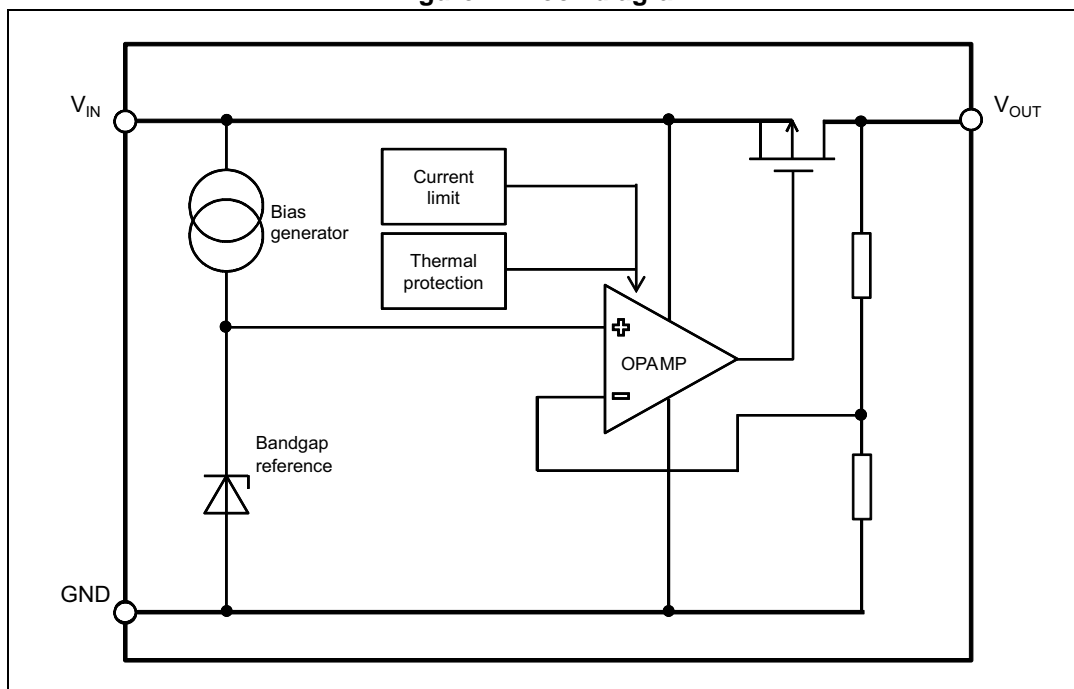
1. Available on request

Contents

1	Diagram	3
2	Pin configuration	4
3	Maximum ratings	5
4	Electrical characteristics	6
	4.1 External capacitor requirements	7
	4.2 Power dissipation and junction temperature	7
5	Typical application	8
6	Typical performance characteristics	9
7	Package mechanical data	11
	7.1 SOT23-5L	11
	7.2 DFN8 (3x3 mm)	13
8	Packaging mechanical data	15
	8.1 Tape and reel SOT23-5L	15
9	Revision history	17

1 Diagram

Figure 1. Block diagram



2 Pin configuration

Figure 2. Pin connection (top view)

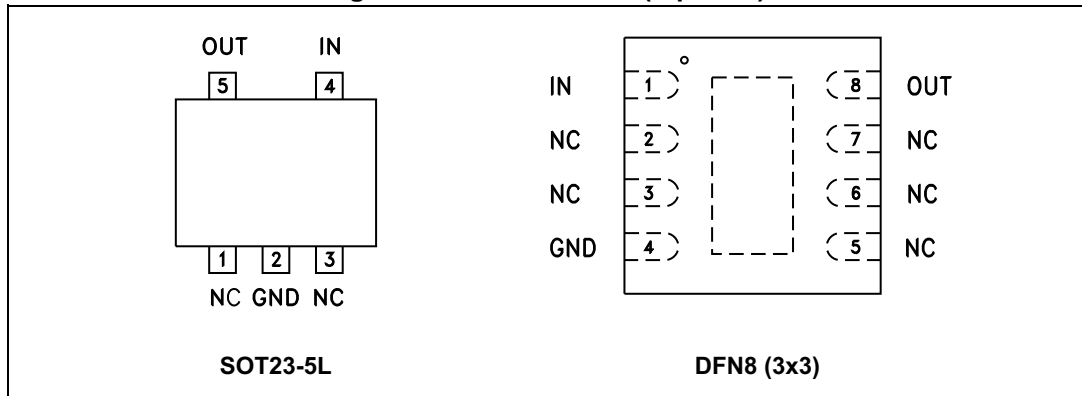


Table 2. Pin description for DFN8 (3x3 mm)

Symbol	Pin f	Name and function
IN	1	Input voltage
NC	2, 3, 5,6, 7, and exp. pad	Not internally connected
GND	4	Common ground
OUT	8	Output voltage

Table 3. Pin description for SOT23-5L

Symbol	Pin for fixed	Name and function
IN	4	Input voltage
NC	1,3	Not internally connected
GND	2	Common ground
OUT	5	Output voltage

3 Maximum ratings

Table 4. Absolute maximum ratings

Symbol	Parameter	Value	Unit
V_{IN}	DC input voltage	From -0.3 to 26	V
V_{OUT}	DC output voltage	From -0.3 to $V_{IN}+0.3$	V
I_{OUT}	Continuous output current	According to package power dissipation	A
$P_D^{(1)(2)}$	Maximum power dissipation, DFN package	2	W
	Maximum power dissipation, SOT23-5L package	0.45	
T_{STG}	Storage temperature range	-65 to 150	°C
T_{OP}	Operating junction temperature range	-40 to 125	°C

- P_D is based on an operating temperature of 25 °C or less. It must be derated according to the operating temperature.
- The LDK715 has an internal constant current limit feature. Take care not to exceed the power dissipation ratings of the package also during current limit and short circuit events.

Note: Absolute maximum ratings are those values beyond which damage to the device may occur. Functional operation under these conditions is not implied.

Table 5. Thermal data

Symbol	Parameter	SOT23-5L	DFN8	Unit
R_{thJA}	Thermal resistance junction-ambient	195	52	°C/W

4 Electrical characteristics

$T_J = 25\text{ }^\circ\text{C}$, $V_{IN} = V_{OUT(NOM)} + 1\text{ V}$, $C_{IN} = 0.1\text{ }\mu\text{F}$, $C_{OUT} = 1\text{ }\mu\text{F}$, $I_{OUT} = 1\text{ mA}$, unless otherwise specified.(1)

Table 6. Electrical characteristics

Symbol	Parameter	Test conditions	Min.	Typ.	Max.	Unit	
V_{IN}	Operating input voltage	$I_{OUT} = 85\text{mA}$, $T_J = -40^\circ\text{C}$ to 125°C	4.3		24	V	
I_{OUT}	Output current	$V_{IN} = V_{OUT(NOM)} + 1$ to 24V , $T_J = -40^\circ\text{C}$ to 125°C	0		85	mA	
V_{OUT}	V_{OUT} accuracy (1)	$T_J = 25^\circ\text{C}$	-1		+1	%	
		$V_{IN} = V_{OUT(NOM)} + 1$ to 24V , $T_J = -40^\circ\text{C}$ to 125°C	-2		+2		
ΔV_{OUT}	Line regulation	$V_{IN} = V_{OUT(NOM)} + 1$ to 24V to 24V , $I_{OUT} = 1\text{mA}$, $T_J = -40^\circ\text{C}$ to 125°C		0.001	0.004	%/V	
ΔV_{OUT}	Load regulation	$I_{OUT} = 100\mu\text{A}$ to 85mA , $T_J = -40^\circ\text{C}$ to 125°C		0.002	0.003	%/mA	
V_{DROP}	Drop output voltage (2)	$I_{OUT} = 85\text{mA}$, $T_J = -40^\circ\text{C}$ to 125°C		500	1000	mV	
e_N	Output noise voltage (3)	200 Hz to 100kHz, $I_{OUT} = 50\text{mA}$, $C_{OUT} = 10\mu\text{F}$, $T_J = -40^\circ\text{C}$ to 125°C			210	μV_{RMS}	
SVR	Supply voltage rejection	$V_{IN} = V_{OUT(NOM)} + 1\text{V} \pm V_{RIPPLE}$, $V_{RIPPLE} = 0.2\text{V}$, $I_{OUT} = 1\text{mA}$, $C_{OUT} = 10\mu\text{F}$	$f = 1\text{kHz}$		38	dB	
		$T_J = -40^\circ\text{C}$ to 125°C	$f = 100\text{kHz}$		57		
I_Q	Quiescent current	$I_{OUT} = 0\text{mA}$ to 85mA , $T_J = -40^\circ\text{C}$ to 125°C			5	7	μA
			$V_{IN} = 24\text{V}$			8.5	
I_{SC}	Short circuit current	$V_{OUT} = 0$, $T_J = -40^\circ\text{C}$ to 125°C $V_{IN} = V_{OUT(NOM)} + 1$ to 24V	120			mA	
T_{ON}	Turn on time (4)	$V_{IN} = V_{OUT(NOM)} + 1$ to 24V , $C_{OUT} = 10\mu\text{F}$, $I_{OUT} = 60\text{mA}$, $T_J = -40^\circ\text{C}$ to 125°C		0.7		ms	
C_{OUT}	Output capacitor	Capacitance $f = 100\text{kHz}$	0.47			μF	

1. For $V_{OUT(NOM)} < 3.3\text{V}$, $V_{IN} = 4.3\text{V}$.
2. Dropout voltage is the input-to-output voltage difference at which the output voltage is 100 mV below its nominal value.
3. Guaranteed by design.
4. Turn-on time is time measured between the input just exceeding 90 % of its final value and the output voltage just reaching 95% of its nominal value.

4.1 External capacitor requirements

A 0.1 μF or a larger input bypass capacitor, connected between IN and GND and located close to the device, is recommended. In this manner, the transient response and noise rejection of the power supply, as a whole, improve. A higher value of the input capacitor may be necessary if large, fast-rise-time load transients are present in the application and if the device is several inches far from the power source.

The LDK715 requires an output capacitor connected between OUT and GND to stabilize the internal control loop. Please refer to Figure 7. for the allowable output capacitance and ESR combinations.

4.2 Power dissipation and junction temperature

For a reliable operation, junction temperature should not exceed 125 °C. This limits the power dissipation the regulator can handle in any application. To guarantee that the junction temperature is within acceptable limits, calculate the maximum allowable dissipation, $P_{D(\text{max})}$, and the dissipation, P_D , which must be less than or equal to $P_{D(\text{max})}$.

The maximum power dissipation limit is given by the following equation:

Equation 1

$$P_{D(\text{max})} = (T_{J\text{MAX}} - T_A) / R_{\text{thJA}}$$

where:

$T_{J\text{MAX}}$ is the maximum allowable junction temperature

R_{thJA} is the thermal resistance junction-to-ambient for the package

T_A is the ambient temperature

The regulator dissipation is calculated by the following equation:

Equation 2

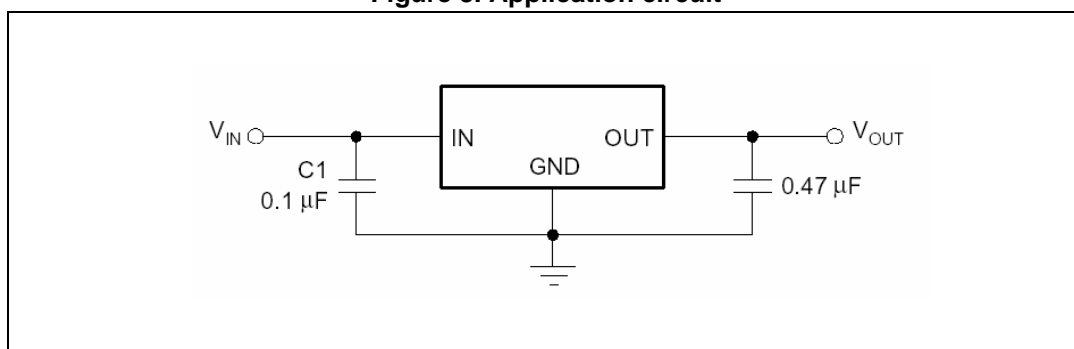
$$P_D = (V_{\text{IN}} - V_{\text{out}}) \times I_{\text{out}}$$

Power dissipation coming from quiescent current is negligible.

The ST715 features the internal current limit. During normal operation, it limits the output current to approximately 350 mA. When the current limit engages, the output voltage scales back linearly until the overcurrent condition ends. Do not exceed the power dissipation ratings of the package.

5 Typical application

Figure 3. Application circuit



6 Typical performance characteristics

Figure 4. Output voltage vs. temperature

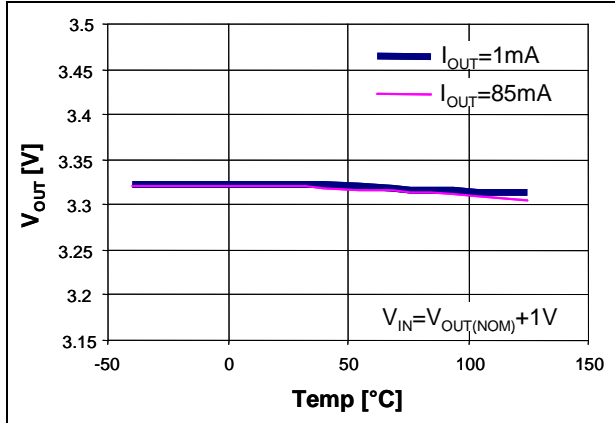


Figure 5. Output voltage vs. input voltage

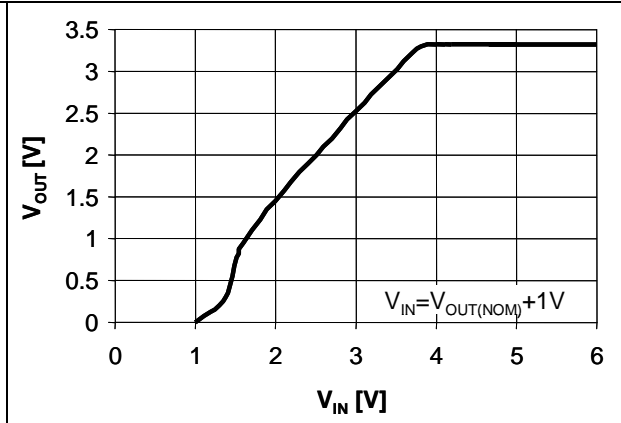


Figure 6. Dropout voltage vs. output current

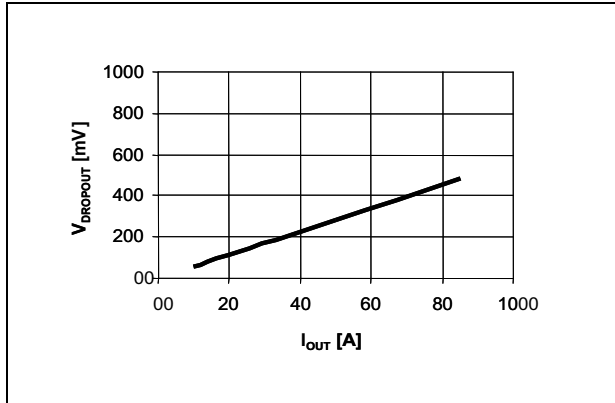


Figure 7. C_OUT stability region

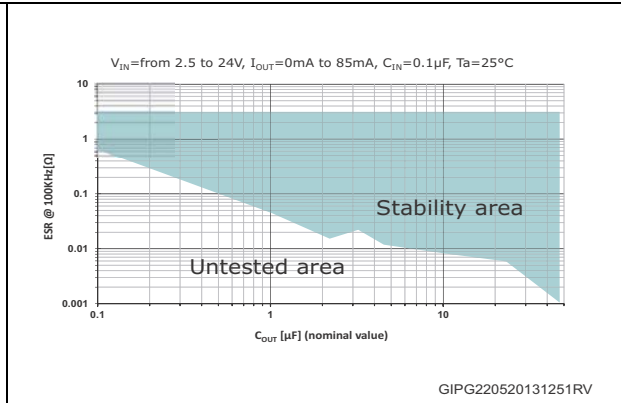


Figure 8. Supply voltage rejection vs. frequency

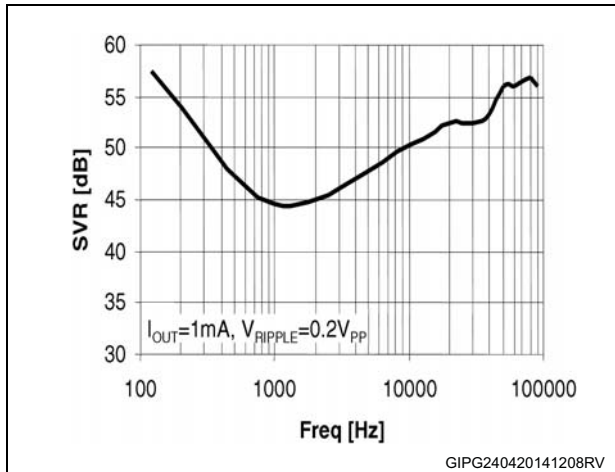


Figure 9. Output noise voltage vs. frequency

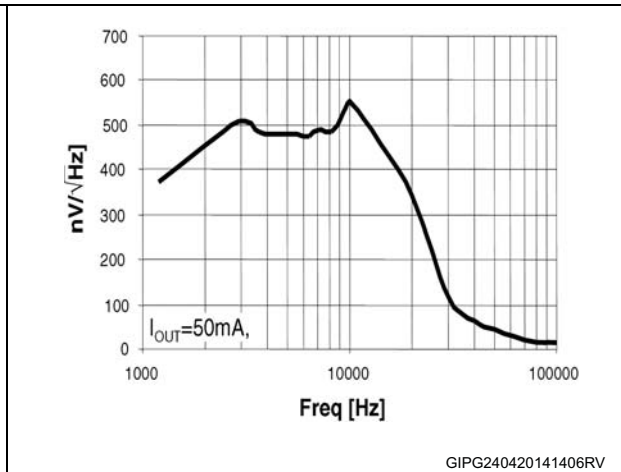


Figure 10. Quiescent current vs. input voltage

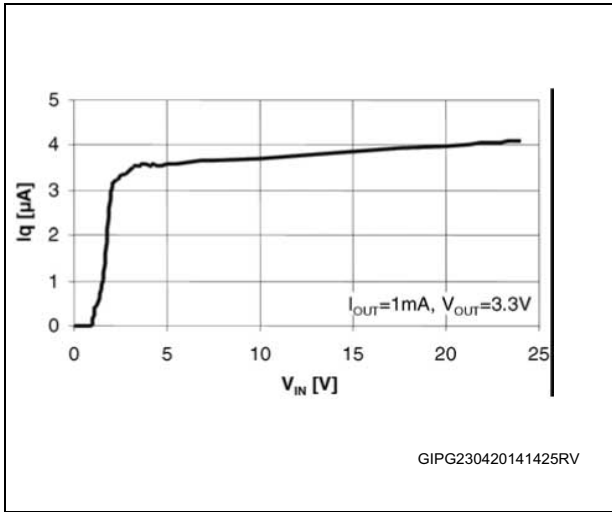


Figure 11. Load transient

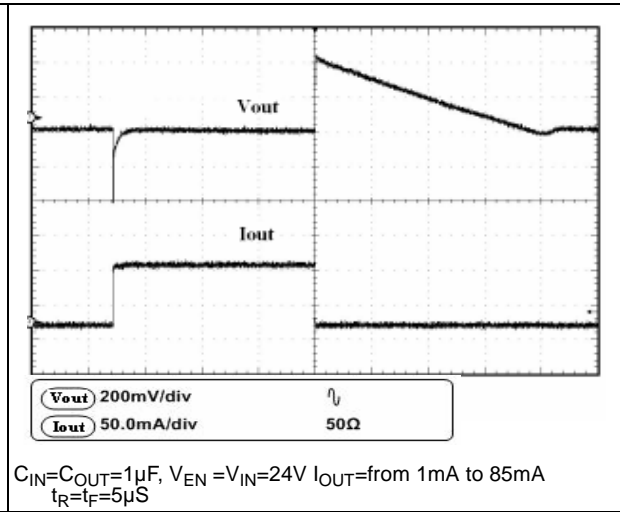


Figure 12. Line transient

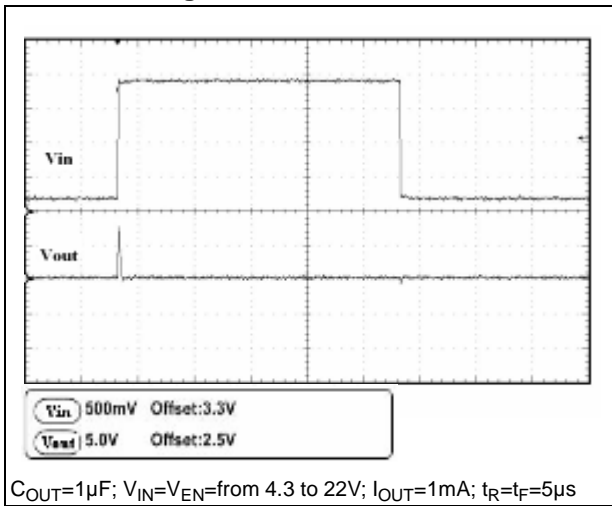
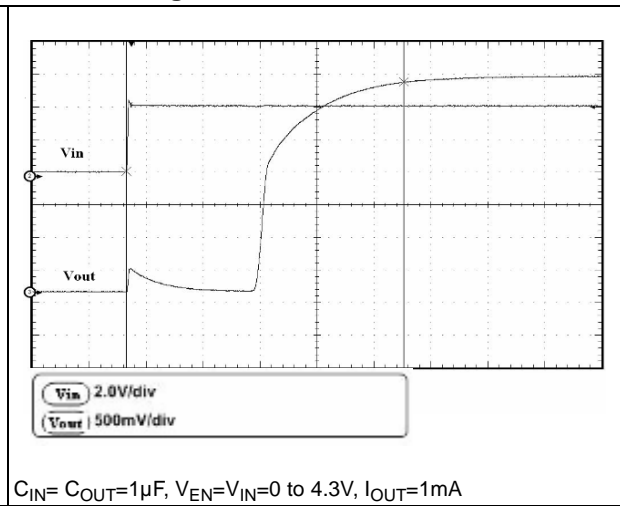


Figure 13. Enable transient



7 Package mechanical data

In order to meet environmental requirements, ST offers these devices in different grades of ECOPACK® packages, depending on their level of environmental compliance. ECOPACK® specifications, grade definitions and product status are available at: www.st.com. ECOPACK® is an ST trademark.

7.1 SOT23-5L

Figure 14. SOT23-5L mechanical drawings

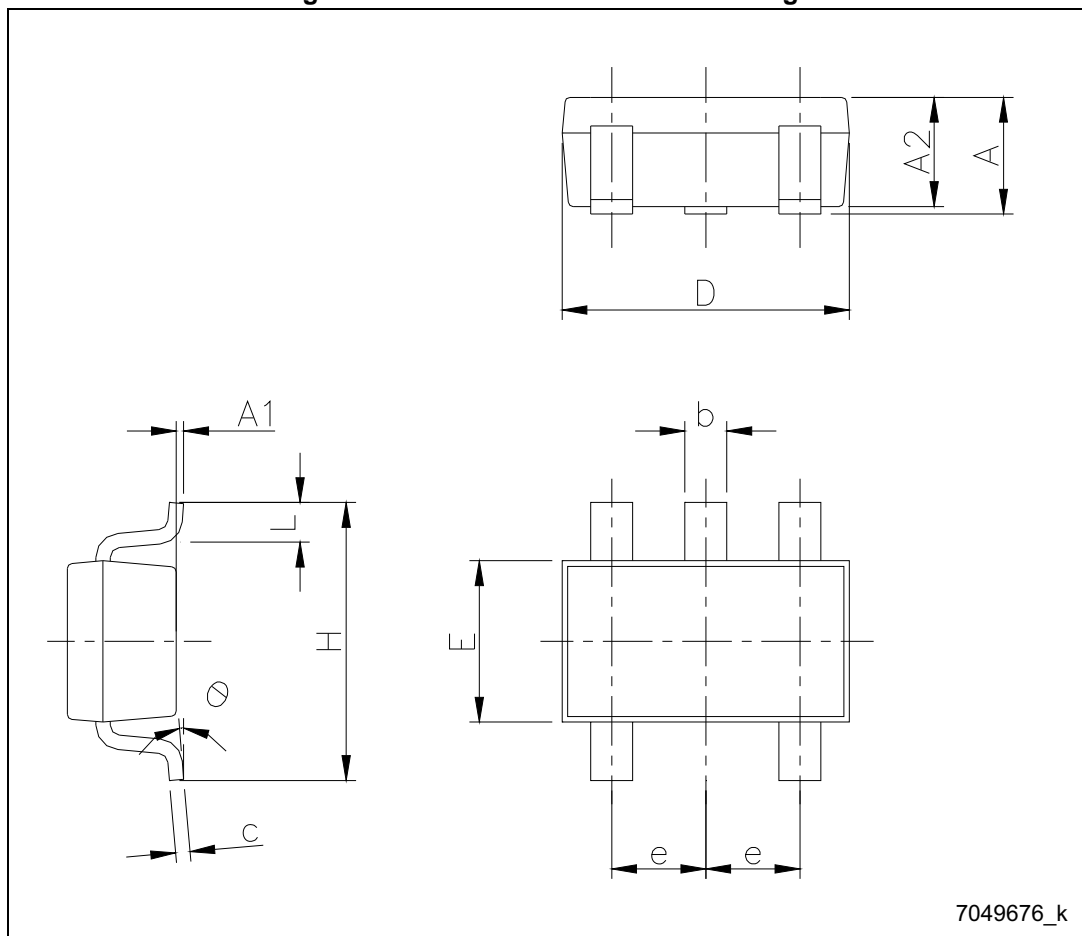
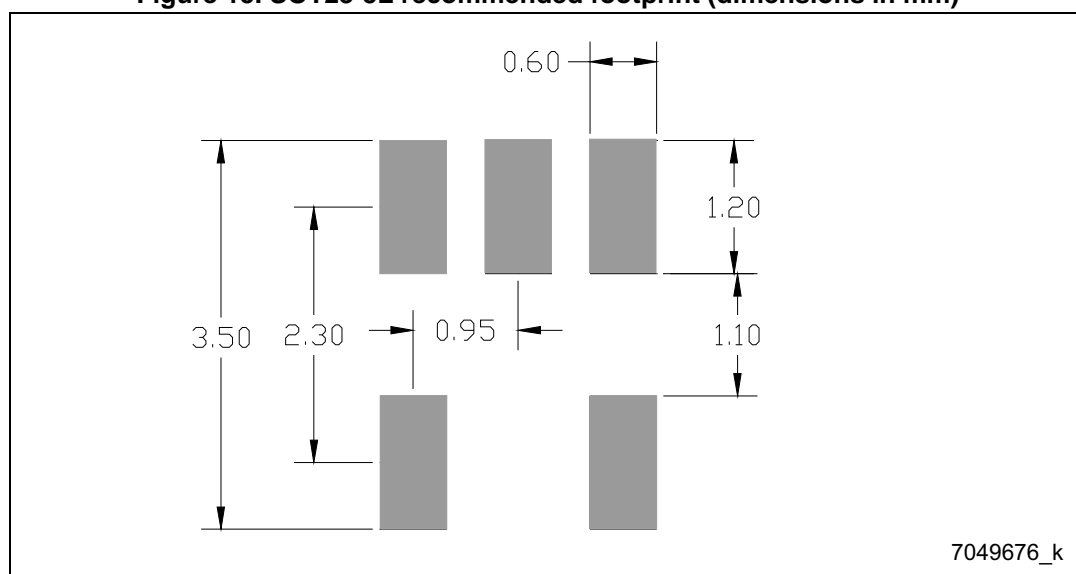


Table 7. SOT23-5L mechanical data

Dim.	mm		
	Min.	Typ.	Max.
A	0.90		1.45
A1	0		0.15
A2	0.90		1.30
b	0.30		0.50
c	0.009		0.20
D	2.80	2.95	3.05
E	1.50	1.60	1.75
e		0.95	
H	2.60	2.80	3.00
L	0.30		0.60
q	0		8

Figure 15. SOT23-5L recommended footprint (dimensions in mm)



7.2 DFN8 (3x3 mm)

Figure 16. DFN8 (3x3 mm) mechanical drawings

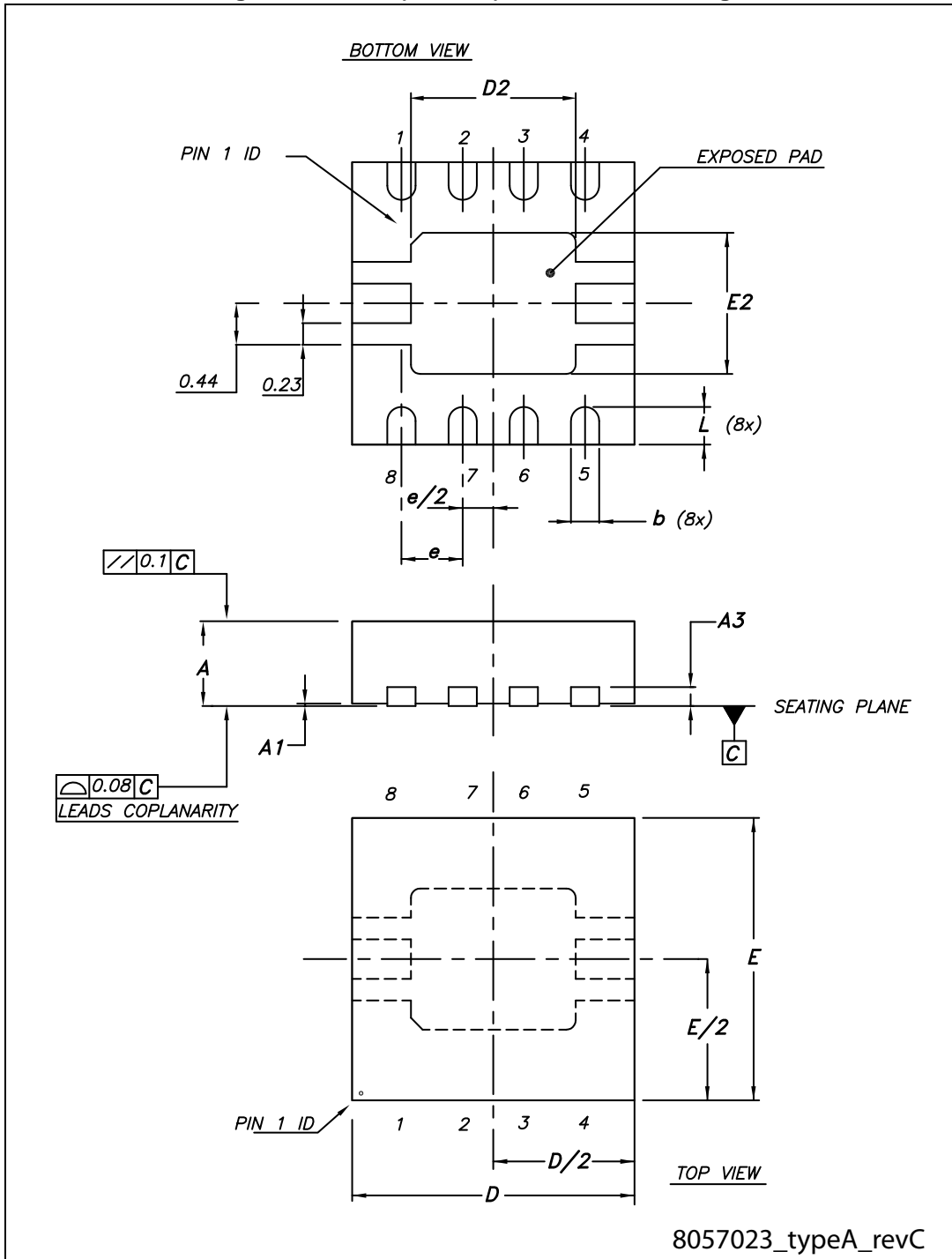
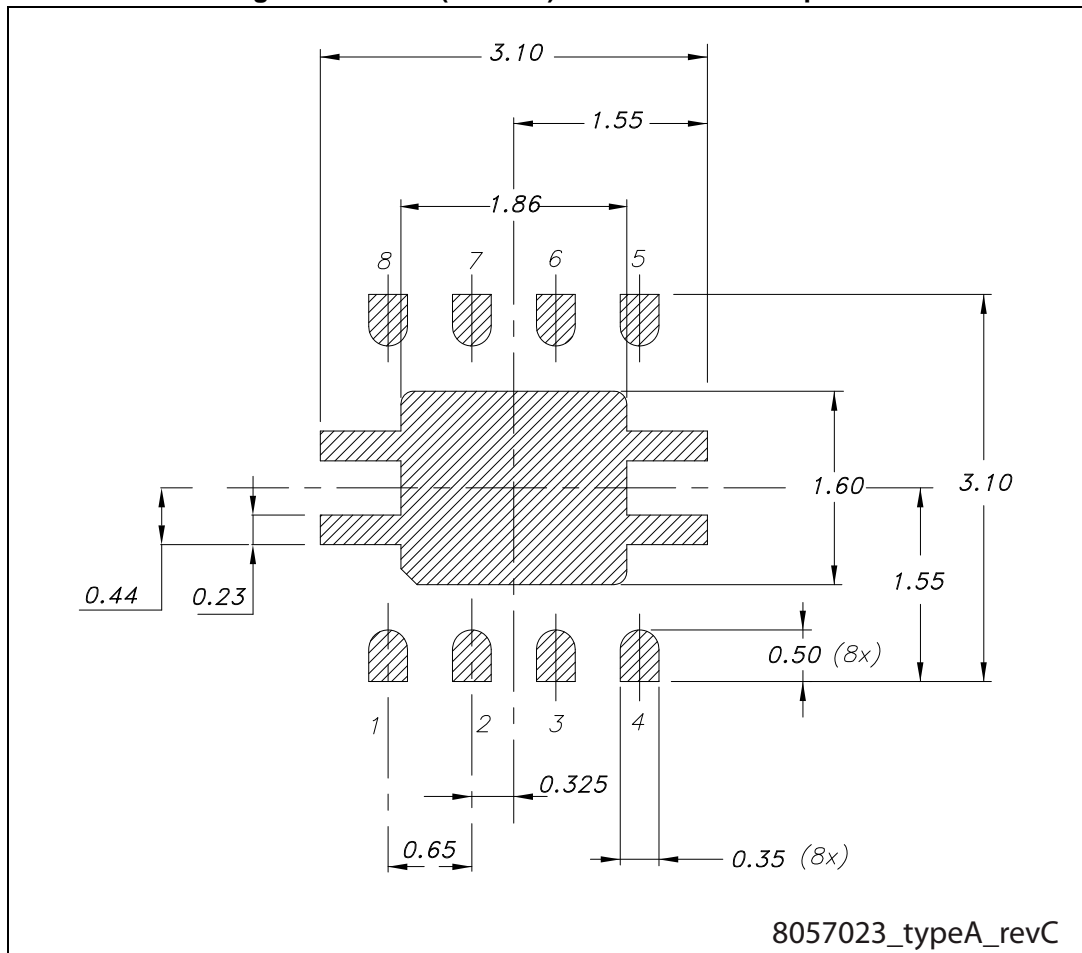


Table 8. DFN8 (3x3 mm) mechanical data

Dim	mm.		
	Min	Typ	Max.
A	0.80	0.90	1.00
A1	0	0.02	0.05
A3		0.20	
b	0.25	0.30	0.35
D	2.85	3.00	3.15
D2	1.603	1.753	1.853
E	2.85	3.00	3.15
E2	1.345	1.495	1.595
e	0	0.65	
L	0.30	0.40	0.50

Figure 17. DFN8 (3x3 mm) recommended footprint



8 Packaging mechanical data

8.1 Tape and reel SOT23-5L

Figure 18. SOT23-5L and DFN8(3x3) tape and reel drawing

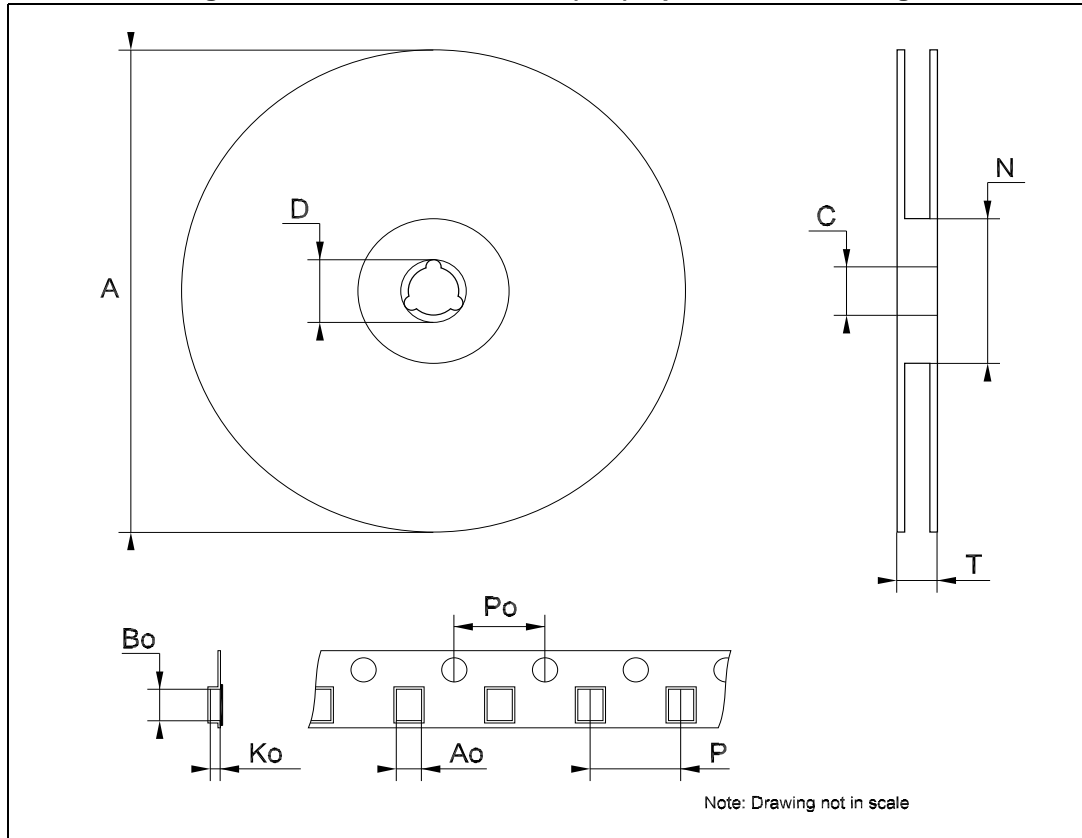


Table 9. SOT23-5L tape and reel mechanical data

Dim.	mm		
	Min.	Typ.	Max.
A			180
C	12.8	13.0	13.2
D	20.2		
N	60		
T			14.4
Ao	3.13	3.23	3.33
Bo	3.07	3.17	3.27
Ko	1.27	1.37	1.47
Po	3.9	4.0	4.1
P	3.9	4.0	4.1

Table 10. DFN8 (3x3 mm) tape and reel mechanical data

Dim.	mm		
	Min.	Typ.	Max.
A			180
C	12.8		13.2
D	20.2		
N	60		
T			14.4
Ao		3.3	
Bo		3.3	
Ko		1.1	
Po		4	
P		8	

9 Revision history

Table 11. Document revision history

Date	Revision	Changes
09-Jul-2014	1	Initial release.

Please Read Carefully:

Information in this document is provided solely in connection with ST products. STMicroelectronics NV and its subsidiaries ("ST") reserve the right to make changes, corrections, modifications or improvements, to this document, and the products and services described herein at any time, without notice.

All ST products are sold pursuant to ST's terms and conditions of sale.

Purchasers are solely responsible for the choice, selection and use of the ST products and services described herein, and ST assumes no liability whatsoever relating to the choice, selection or use of the ST products and services described herein.

No license, express or implied, by estoppel or otherwise, to any intellectual property rights is granted under this document. If any part of this document refers to any third party products or services it shall not be deemed a license grant by ST for the use of such third party products or services, or any intellectual property contained therein or considered as a warranty covering the use in any manner whatsoever of such third party products or services or any intellectual property contained therein.

UNLESS OTHERWISE SET FORTH IN ST'S TERMS AND CONDITIONS OF SALE ST DISCLAIMS ANY EXPRESS OR IMPLIED WARRANTY WITH RESPECT TO THE USE AND/OR SALE OF ST PRODUCTS INCLUDING WITHOUT LIMITATION IMPLIED WARRANTIES OF MERCHANTABILITY, FITNESS FOR A PARTICULAR PURPOSE (AND THEIR EQUIVALENTS UNDER THE LAWS OF ANY JURISDICTION), OR INFRINGEMENT OF ANY PATENT, COPYRIGHT OR OTHER INTELLECTUAL PROPERTY RIGHT.

ST PRODUCTS ARE NOT DESIGNED OR AUTHORIZED FOR USE IN: (A) SAFETY CRITICAL APPLICATIONS SUCH AS LIFE SUPPORTING, ACTIVE IMPLANTED DEVICES OR SYSTEMS WITH PRODUCT FUNCTIONAL SAFETY REQUIREMENTS; (B) AERONAUTIC APPLICATIONS; (C) AUTOMOTIVE APPLICATIONS OR ENVIRONMENTS, AND/OR (D) AEROSPACE APPLICATIONS OR ENVIRONMENTS. WHERE ST PRODUCTS ARE NOT DESIGNED FOR SUCH USE, THE PURCHASER SHALL USE PRODUCTS AT PURCHASER'S SOLE RISK, EVEN IF ST HAS BEEN INFORMED IN WRITING OF SUCH USAGE, UNLESS A PRODUCT IS EXPRESSLY DESIGNATED BY ST AS BEING INTENDED FOR "AUTOMOTIVE, AUTOMOTIVE SAFETY OR MEDICAL" INDUSTRY DOMAINS ACCORDING TO ST PRODUCT DESIGN SPECIFICATIONS. PRODUCTS FORMALLY ESCC, QML OR JAN QUALIFIED ARE DEEMED SUITABLE FOR USE IN AEROSPACE BY THE CORRESPONDING GOVERNMENTAL AGENCY.

Resale of ST products with provisions different from the statements and/or technical features set forth in this document shall immediately void any warranty granted by ST for the ST product or service described herein and shall not create or extend in any manner whatsoever, any liability of ST.

ST and the ST logo are trademarks or registered trademarks of ST in various countries.

Information in this document supersedes and replaces all information previously supplied.

The ST logo is a registered trademark of STMicroelectronics. All other names are the property of their respective owners.

© 2014 STMicroelectronics - All rights reserved

STMicroelectronics group of companies

Australia - Belgium - Brazil - Canada - China - Czech Republic - Finland - France - Germany - Hong Kong - India - Israel - Italy - Japan - Malaysia - Malta - Morocco - Philippines - Singapore - Spain - Sweden - Switzerland - United Kingdom - United States of America

www.st.com

AMEYA360

Components Supply Platform

Authorized Distribution Brand :



Website :

Welcome to visit www.ameya360.com

Contact Us :

➤ Address :

401 Building No.5, JiuGe Business Center, Lane 2301, Yishan Rd
Minhang District, Shanghai , China

➤ Sales :

Direct +86 (21) 6401-6692

Email amall@ameya360.com

QQ 800077892

Skype [ameyasales1](#) [ameyasales2](#)

➤ Customer Service :

Email service@ameya360.com

➤ Partnership :

Tel +86 (21) 64016692-8333

Email mkt@ameya360.com