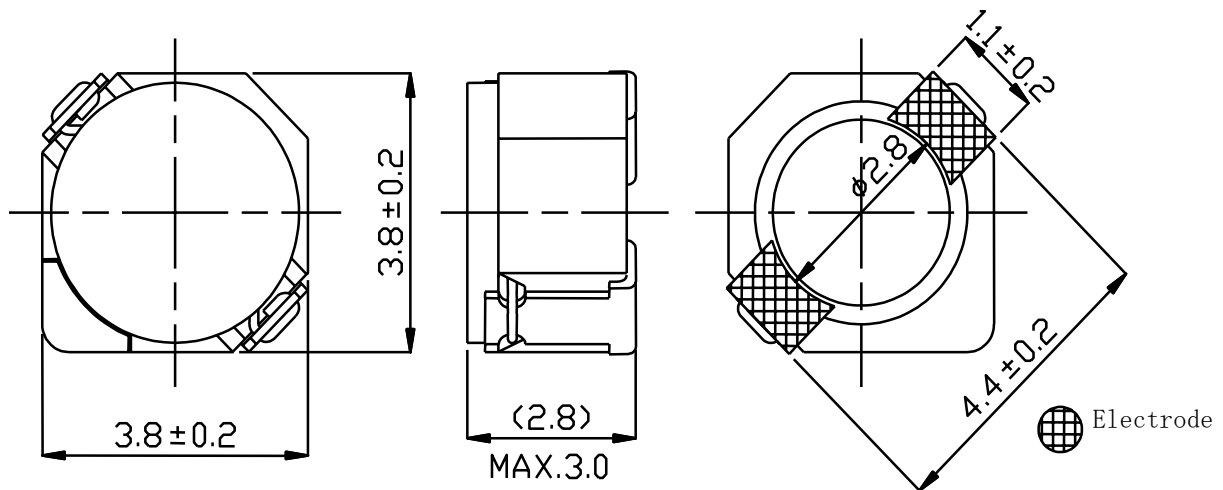
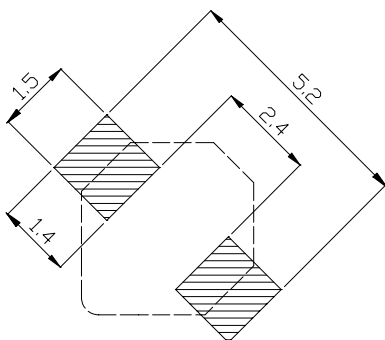


Type: CDRH3D28, CDRH3D28/LD
◆ Product Description

- 4.0×4.0mm Max. (L×W), 3.0mm Max.height.
- Inductance Range:3.3~47 μ H (CDRH3D28), 10~220 μ H (CDRH3D28/LD).
- Rated Current Range 0.48~2.0A(CDRH3D28), 0.116~0.50A(CDRH3D28/LD).


◆ Feature

- Magnetically shielded construction.
- Ideally used in Mobilephone,PDA,MP3,DSC/DVC,Portable DVD,etc as DC-DC Converter inductors.
- RoHS Compliance.

◆ Dimensions (mm)

◆ Land Pattern (mm)


Type: CDRH3D28, CDRH3D28/LD
◆ Specification(CDRH3D28)

Part Name ※	Stamp	Inductance (μ H) [Within] 100kHz/1V	D.C.R.(m Ω) Max.(Typ.) (at 20°C)	Saturation Current (A) ※1		Temperature rise current (A) ※2
				(at 20°C)	(at100°C)	
CDRH3D28NP-3R3N□	A	3.3 \pm 30%	72.1(57.7)	2.00	1.48	1.85
CDRH3D28NP-4R7N□	B	4.7 \pm 30%	88.3(70.6)	1.65	1.28	1.62
CDRH3D28NP-6R8N□	C	6.8 \pm 30%	119(95.0)	1.24	0.94	1.32
CDRH3D28NP-10 \emptyset N□	D	10 \pm 30%	145(116)	1.05	0.80	1.18
CDRH3D28NP-15 \emptyset N□	E	15 \pm 30%	213(170)	0.90	0.64	1.02
CDRH3D28NP-22 \emptyset N□	F	22 \pm 30%	335(268)	0.76	0.55	0.74
CDRH3D28NP-33 \emptyset N□	G	33 \pm 30%	481(385)	0.58	0.44	0.63
CDRH3D28NP-47 \emptyset N□	H	47 \pm 30%	599(479)	0.48	0.36	0.56

◆ Specification(CDRH3D28/LD)

Part Name ※	Stamp	Inductance (μ H) [Within] 100kHz/1V	D.C.R.(m Ω) Max.(Typ.) (at 20°C)	Saturation Current (A) ※1		Temperature Rise current (A) ※2
				(at20°C)	(at105°C)	
CDRH3D28/LDNP-10 \emptyset N□	A	10 \pm 30%	95(73)	0.50	0.43	1.52
CDRH3D28/LDNP-12 \emptyset N□	B	12 \pm 30%	100(80)	0.45	0.38	1.48
CDRH3D28/LDNP-15 \emptyset N□	C	15 \pm 30%	115(90)	0.40	0.33	1.44
CDRH3D28/LDNP-18 \emptyset N□	D	18 \pm 30%	125(100)	0.35	0.30	1.37
CDRH3D28/LDNP-22 \emptyset N□	E	22 \pm 30%	145(117)	0.33	0.28	1.28
CDRH3D28/LDNP-27 \emptyset N□	F	27 \pm 30%	175(140)	0.29	0.26	1.18
CDRH3D28/LDNP-33 \emptyset N□	G	33 \pm 30%	215(170)	0.28	0.23	1.15
CDRH3D28/LDNP-39 \emptyset N□	H	39 \pm 30%	225(180)	0.25	0.21	1.00
CDRH3D28/LDNP-47 \emptyset N□	J	47 \pm 30%	305(245)	0.23	0.19	0.81
CDRH3D28/LDNP-56 \emptyset N□	K	56 \pm 30%	325(260)	0.20	0.17	0.76
CDRH3D28/LDNP-68 \emptyset N□	L	68 \pm 30%	470(375)	0.185	0.156	0.60
CDRH3D28/LDNP-82 \emptyset N□	M	82 \pm 30%	540(430)	0.172	0.142	0.58
CDRH3D28/LDNP-101N□	N	100 \pm 30%	610(485)	0.160	0.128	0.52
CDRH3D28/LDNP-121N□	P	120 \pm 30%	755(605)	0.136	0.116	0.50
CDRH3D28/LDNP-151N□	Q	150 \pm 30%	880(705)	0.124	0.106	0.48
CDRH3D28/LDNP-181N□	R	180 \pm 30%	1130(905)	0.119	0.095	0.42
CDRH3D28/LDNP-221N□	S	220 \pm 30%	1270(1015)	0.116	0.087	0.36

※ Description of Part Name

 CDRH3D28/LDNP-10 \emptyset N□

— B Box

— C Carrier Tape

※1.Saturation Current: The DC current at which the inductance decreases to 65% of it's nominal value

 ※2 Temperature rise current:The DC current at which the temperature rise is $\Delta t=40^{\circ}\text{C}$.($T_a=20^{\circ}\text{C}$)

AMEYA360

Components Supply Platform

Authorized Distribution Brand :



Website :

Welcome to visit www.ameya360.com

Contact Us :

➤ Address :

401 Building No.5, JiuGe Business Center, Lane 2301, Yishan Rd
Minhang District, Shanghai , China

➤ Sales :

Direct +86 (21) 6401-6692

Email amall@ameya360.com

QQ 800077892

Skype [ameyasales1](#) [ameyasales2](#)

➤ Customer Service :

Email service@ameya360.com

➤ Partnership :

Tel +86 (21) 64016692-8333

Email mkt@ameya360.com