

PJT Open Frame Power Supply

PJT-100WBB Series / PJT-□□V100WBB□

PJT

Highlights & Features

- Universal AC input voltage
- Standard industrial foot print of 2" x 4"
- Low leakage current < 0.1mA
- High MTBF > 700,000 hrs as per Telcordia SR-332
- Multiple connector source options

Safety Standards



CB Certified for worldwide use



Model Number: PJT-□□V100WBB□
Unit Weight: 0.15 kg
Dimensions (L x W x D): 101.6 x 50.8 x 31.8 mm [2" x 4"]

General Description

The PJT open frame power supply series offers choices of 12V, 15V, 18V and 24V nominal output voltages. The single output products are designed with small standard industrial foot prints at 2" x 4". The highly efficient convection cooling designs enable optimum thermal management for high power efficiency. The PJT series of products can operate from -10°C to +70°C across the entire input voltage range of 90 to 264Vac and are certified for safety standard according to IEC/EN/UL 60950-1 and for EMI standard according to EN 55022, Class B.

Model Information

PJT Open Frame Power Supply

| Model Number | Input Voltage Range | Output Voltage | Output Current |
|----------------|---------------------|----------------|--|
| PJT-12V100WBB□ | 90-264Vac | 12Vdc | 6.67A (Convection) 8.33A (Forced Cooling) |
| PJT-15V100WBB□ | | 15Vdc | 5.33A (Convection) 6.67A (Forced Cooling) |
| PJT-18V100WBB□ | | 18Vdc | 4.44A (Convection) 5.55A (Forced Cooling) |
| PJT-24V100WBB□ | | 24Vdc | 3.33A (Convection) 4.17A (Forced Cooling) |

Model Numbering

| PJ | T – | XXV | 100W | B | B | □ |
|------------|--|--|--------------|--------------------------------|------------------|--|
| Open Frame | Product Type T – ITE Application Series | Output Voltage 12V 15V 18V 24V | Output Power | Package Type B – Open Frame | Family Code B | Harness Connector A – JST connector B – Molex connector* C – JWT connector* |

*Options



PJT Open Frame Power Supply

PJT-100WBB Series / PJT-□□V100WBB□

Specifications

| | Model Number | PJT-12V100WBB□ | PJT-15V100WBB□ | PJT-18V100WBB□ | PJT-24V100WBB□ |
|--|--------------|----------------|----------------|----------------|----------------|
|--|--------------|----------------|----------------|----------------|----------------|

Input Ratings / Characteristics

| | | | | | |
|-------------------------|--------------------------------------|------------|------------|------------|------------|
| Nominal Input Voltage | 100-240Vac | | | | |
| Input Voltage Range | 90-264Vac | | | | |
| Nominal Input Frequency | 50-60Hz | | | | |
| Input Frequency Range | 47-63Hz | | | | |
| Input Current | < 2.50A typ. @ 115Vac | | | | |
| Efficiency at 100% Load | 115Vac | 86.0% typ. | 87.0% typ. | 87.0% typ. | 88.0% typ. |
| | 230Vac | 88.0% typ. | 89.0% typ. | 89.0% typ. | 89.0% typ. |
| Max Inrush Current | 30A typ. @ 115Vac, 60A typ. @ 230Vac | | | | |
| Leakage Current | 0.1mA @ 240Vac | | | | |

Output Ratings / Characteristics

| | | | | | |
|--|--|------------------------|-------------|-------------|-------------|
| Nominal Output Voltage | | 12Vdc | 15Vdc | 18Vdc | 24Vdc |
| Output Voltage Range | No potentiometer ($\pm 1\%$) | | | | |
| Output Current* | Convection | 6.67A | 5.33A | 4.44A | 3.33A |
| | Forced Cooling | 8.33A | 6.67A | 5.55A | 4.17A |
| Output Power | Convection | 80W | | | |
| | Forced Cooling | 100W | | | |
| Line Regulation | $\pm 0.5\%$ @ 115Vac & 230Vac | | | | |
| Load Regulation | $\pm 1.0\%$ @ 115Vac & 230Vac | | | | |
| PARD (20MHz) | | < 120mVpp | < 150mVpp | < 180mVpp | < 240mVpp |
| Start-up Time | 115Vac | 500ms typ. (100% load) | | | |
| | 230Vac | | | | |
| Hold-up Time | 115Vac | 10ms typ. | | | |
| | 230Vac | | | | |
| Dynamic Response (Overshoot & Undershoot O/P Voltage) | $\pm 5\%$ @ 50-100% load (Slew Rate: 0.1A/ μ S) | | | | |
| Start-up with Capacitive Loads | | 4,000uF Max | 3,500uF Max | 3,000uF Max | 2,000uF Max |

*Convection: 80% load, Forced Cooling: 100% load

Mechanical

| | | | | | |
|----------------|----------------------------------|--|--|--|--|
| Dimensions | 101.6 x 50.8 x 31.8 mm [2" x 4"] | | | | |
| Unit Weight | 0.15 kg | | | | |
| Cooling System | Convection / Forced Cooling | | | | |
| Terminal | PJT-□□V100WBB <u>A</u> | Input: JST B2P3-VH(LF)(SN) Output: JST B4P-VH(LF)(SN) | | | |
| | PJT-□□V100WBB <u>B</u> | Input: Molex 26-62-4030 Output: Molex 26-62-4040 | | | |
| | PJT-□□V100WBB <u>C</u> | Input: JWT A3963WV2-3P-D Output: JWT A3963WV2-4P | | | |
| Wire | AWG 20-18 | | | | |

PJT Open Frame Power Supply

PJT-100WBB Series / PJT-□□V100WBB□

Environment

| | | |
|-----------------------------|--|---------------------------------------|
| Surrounding Air Temperature | Operating | -10°C to +70°C (Cold start at -20°C)* |
| | Storage | -40°C to +85°C |
| Power De-rating | Convection | > 50°C de-rate power by 2% / °C |
| | Forced Cooling | > 50°C de-rate power by 2.5% / °C |
| Operating Humidity | 10 to 95% RH (Non-Condensing) | |
| Operating Altitude | 0 to 5,000 Meters | |
| Shock Test (Non-Operating) | IEC 60068-2-27, Half Sine Wave: 50G for a duration of 11ms, 3 shocks for each 3 directions | |
| Vibration (Operating) | IEC 60068-2-6, Sine Wave: 10Hz to 150Hz @ 25m/S ² (2.5G); 10 min per cycle, 90 min per axis for all X, Y, Z direction | |

*For 24V models only

Protections

| | | | | |
|--------------------------|---|------------------------|------------------------|------------------------|
| Overvoltage | < 18.0V, Latch Mode | < 22.5V, Latch Mode | < 27.0V, Latch Mode | < 36.0V, Latch Mode |
| Overload / Overcurrent | < 170% of rated load current, Hiccup Mode, Non-Latching (Auto-Recovery) | | | |
| Over Temperature | Non-Latching (Auto-Recovery) | | | |
| Short Circuit | Hiccup Mode, Non-Latching (Auto-Recovery when the fault is removed) | | | |
| Protection Against Shock | Class I with PE* connection | | | |

*PE: Primary Earth

Reliability Data

| | |
|------------------------|---|
| MTBF | > 700,000 hrs. as per Telcordia SR-332 |
| Expected Cap Life Time | 10 years (115Vac & 230Vac, 50% load @ 40°C) |

Safety Standards / Directives

| | | |
|--------------------|--|---------|
| Electrical Safety | TUV Bauart to EN 60950-1, UL/cUL recognized to UL 60950-1 and CSA C22.2 No. 60950-1 (File No. E131881), CB scheme to IEC 60950-1 | |
| CE | In conformance with EMC Directive 2004/108/EC and Low Voltage Directive 2006/95/EC | |
| Material and Parts | RoHS Directive 2011/65/EU Compliant | |
| Galvanic Isolation | Input to Output | 3.0KVac |
| | Input to Ground | 1.5KVac |
| | Output to Ground | 0.5KVac |

PJT Open Frame Power Supply

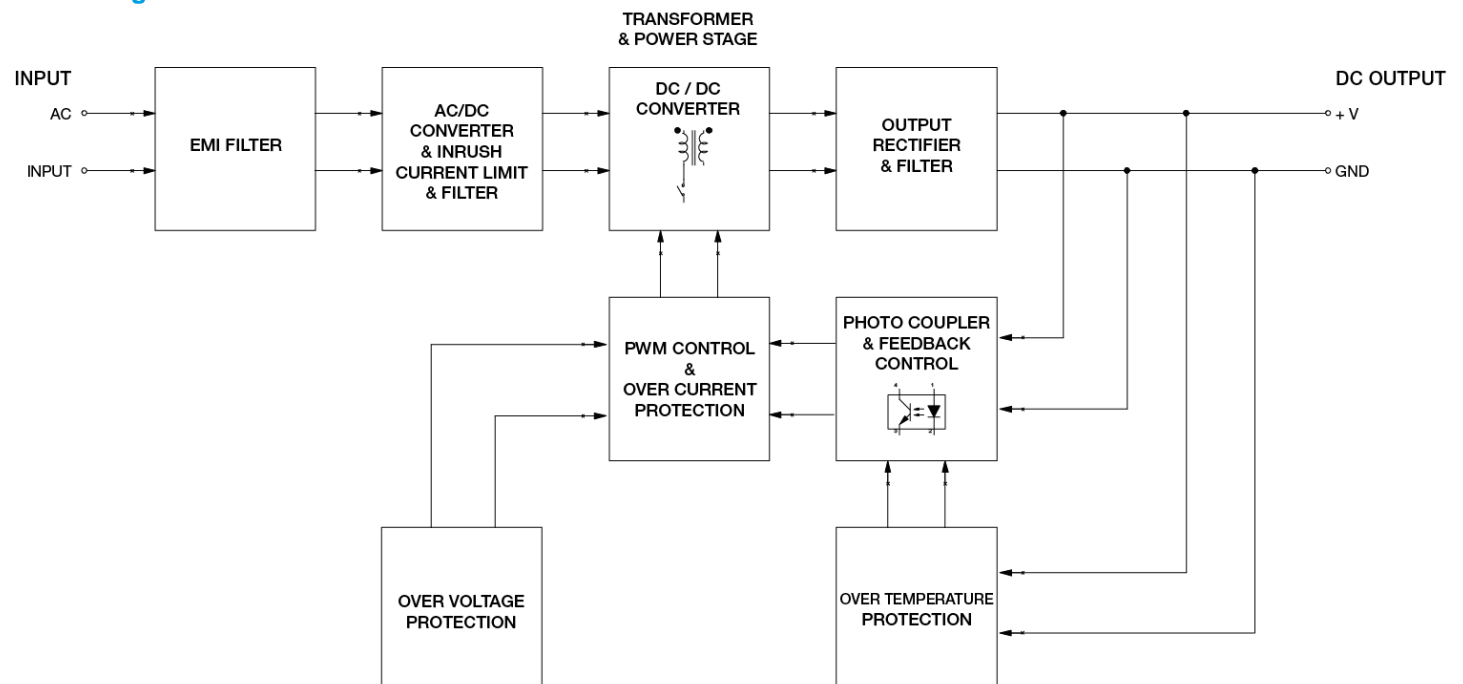
PJT-100WBB Series / PJT-□□V100WBB□

EMC

| | | | |
|-----------------------------------|---|--|--|
| EMC / Emissions | CISPR 22, EN 55022, FCC Title 47: Class B | | |
| Immunity to | EN 55024 | | |
| Electrostatic Discharge | IEC 61000-4-2 | Criteria A ¹⁾ Level 3 Air Discharge: 8kV Level 3 Contact Discharge: 6kV | |
| Radiated Field | IEC 61000-4-3 | Level 2 Criteria A ¹⁾ 80MHz-1GHz, 3V/M with 1kHz tone / 80% modulation | |
| Electrical Fast Transient / Burst | IEC 61000-4-4 | Level 3 Criteria A ¹⁾ 2kV | |
| Surge | IEC 61000-4-5 | Level 3 Criteria A ¹⁾ Common Mode ²⁾ : 2kV Differential Mode ³⁾ : 1kV | |
| Conducted | IEC 61000-4-6 | Level 2 Criteria A ¹⁾ 3V with 80% AM | |
| Power Frequency Magnetic Fields | IEC 61000-4-8 | Criteria A ¹⁾ Magnetic field strength 3A/Meter | |
| Voltage Dips | IEC 61000-4-11 | 30% dip; 10ms Criterion A (I/P: 115Vac) 30% dip; 10ms Criterion B (I/P: 100Vac) 60% dip; 100ms Criterion B 100% dip; 5000ms Criterion B | |
| Low Energy Pulse Test (Ring Wave) | IEC 61000-4-12 | Level 3 Criteria A ¹⁾ Common Mode ²⁾ : 2kV Differential Mode ³⁾ : 1kV | |
| Harmonic Current Emission | IEC/EN 61000-3-2, Class A | | |
| Voltage Fluctuation and Flicker | IEC/EN 61000-3-3 | | |

- 1) Criteria A: Normal performance within the specification limits
- 2) Asymmetrical: Common mode (Line to earth)
- 3) Symmetrical: Differential mode (Line to line)

Block Diagram



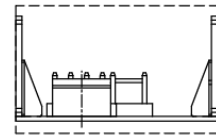
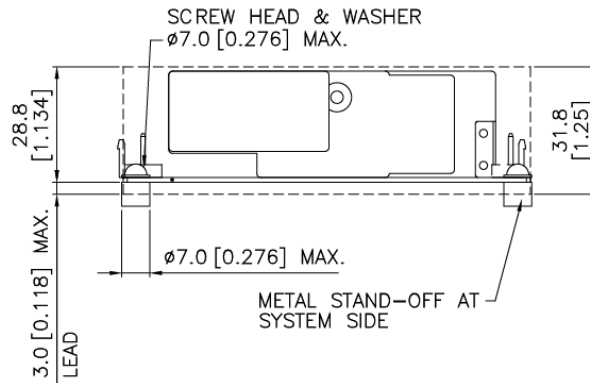
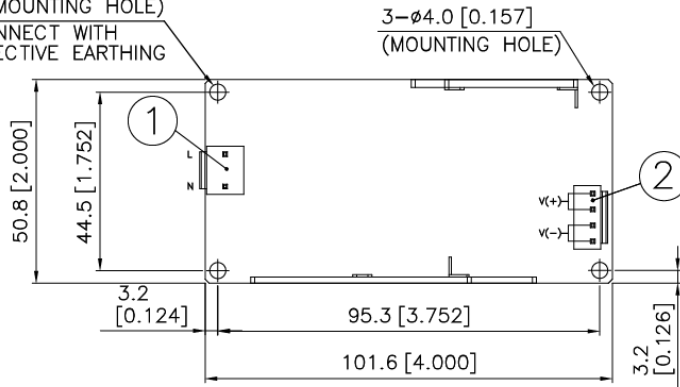
PJT Open Frame Power Supply

PJT-100WBB Series / PJT-□□V100WBB□

Dimensions

L x W x D: 101.6 x 50.8 x 31.8 mm [2" x 4"]

ø4.0 [0.157] (MOUNTING HOLE)
PE: MUST CONNECT WITH SYSTEM PROTECTIVE EARTHING



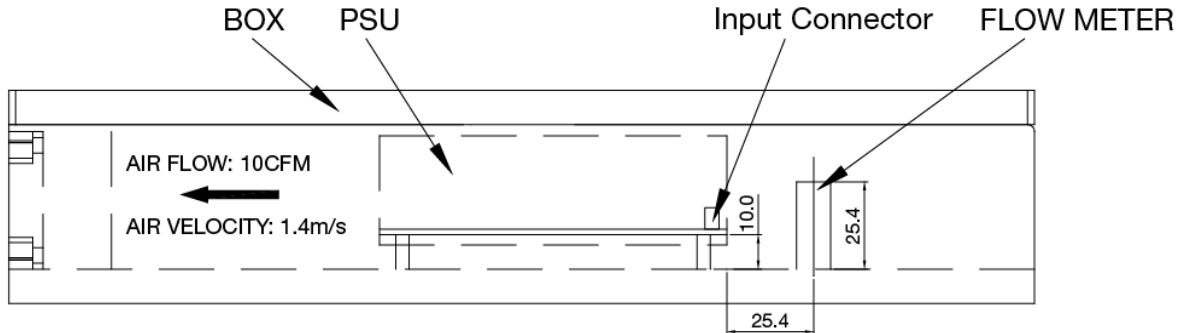
| Item | Device Description |
|------|--------------------|
| 1 | Input Connector |
| 2 | Output Connector |

PJT Open Frame Power Supply

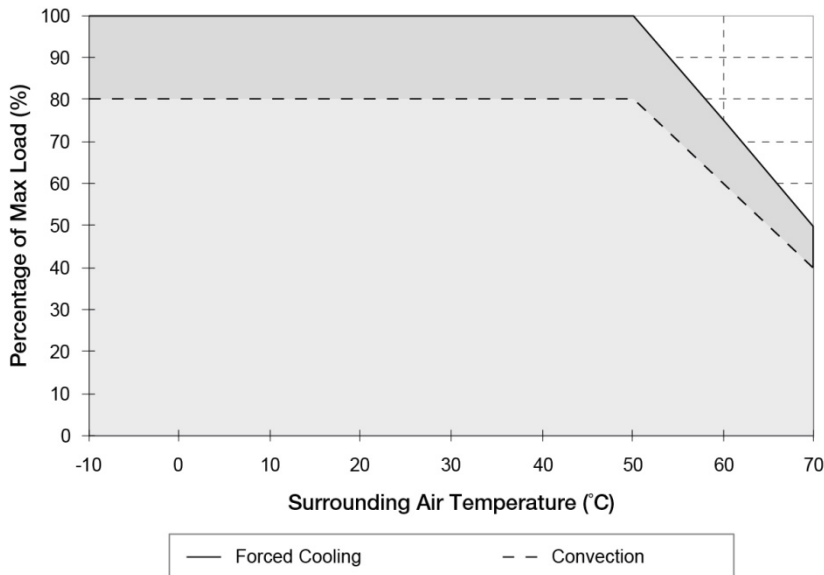
PJT-100WBB Series / PJT-□□V100WBB□

Engineering Data

Forced Cooling Air Flow Direction



De-rating



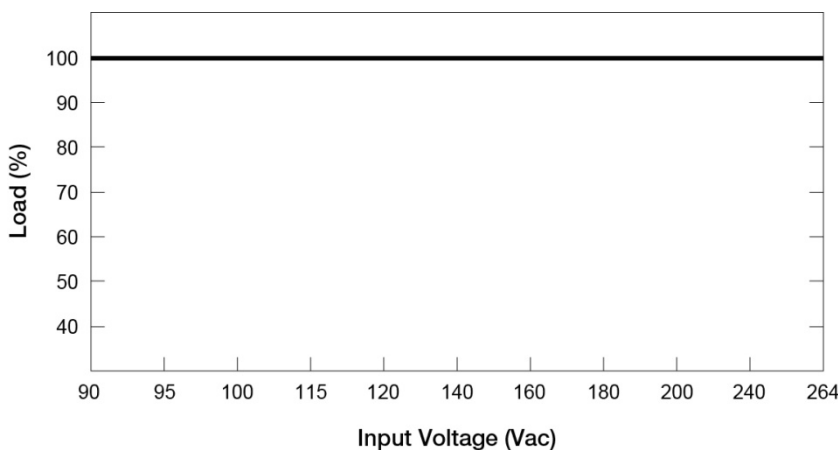
Note

1. Power supply components may degrade, or be damaged, when the power supply is continuously used outside the shaded region, refer to the graph shown in Fig. 1.
2. If the output capacity is not reduced when the surrounding air temperature >50°C, the device will run into Over Temperature Protection. When activated, the output voltage will go into bouncing mode and will recover when the surrounding air temperature is lowered or the load is reduced as far as necessary to keep the device in working condition.
3. Depending on the surrounding air temperature and output load delivered by the power supply, the device can be very hot!
4. If the device has to be mounted in any other orientation, please do not hesitate to contact info@deltapsu.com for more details.

Fig. 1 De-rating for Horizontal Mounting Orientation

- **Convection:** > 50°C de-rate power by 2% / °C
- **Forced Cooling:** > 50°C de-rate power by 2.5% / °C

Output De-rating VS. Input Voltage



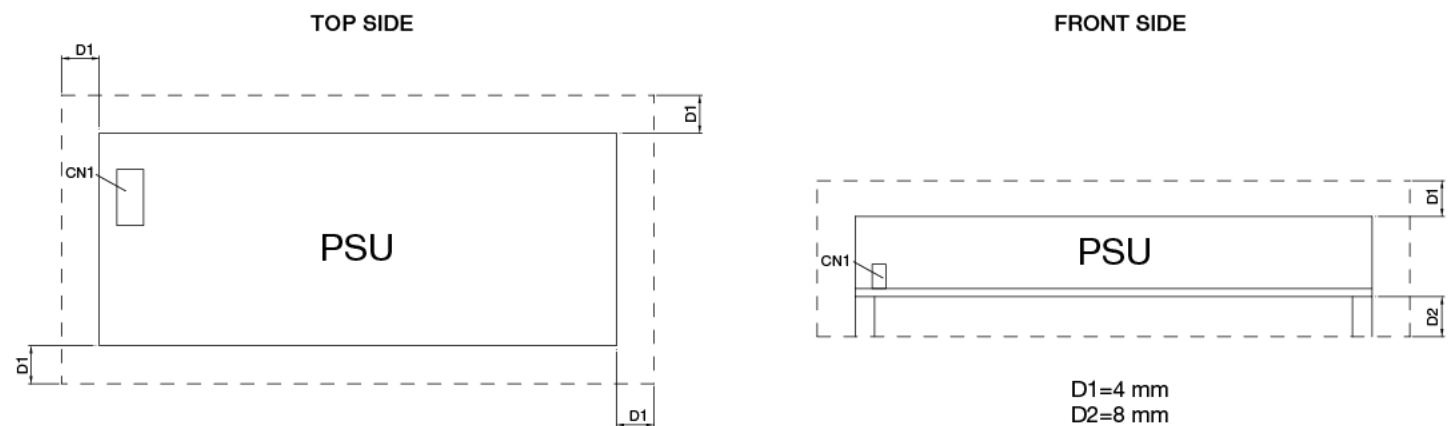
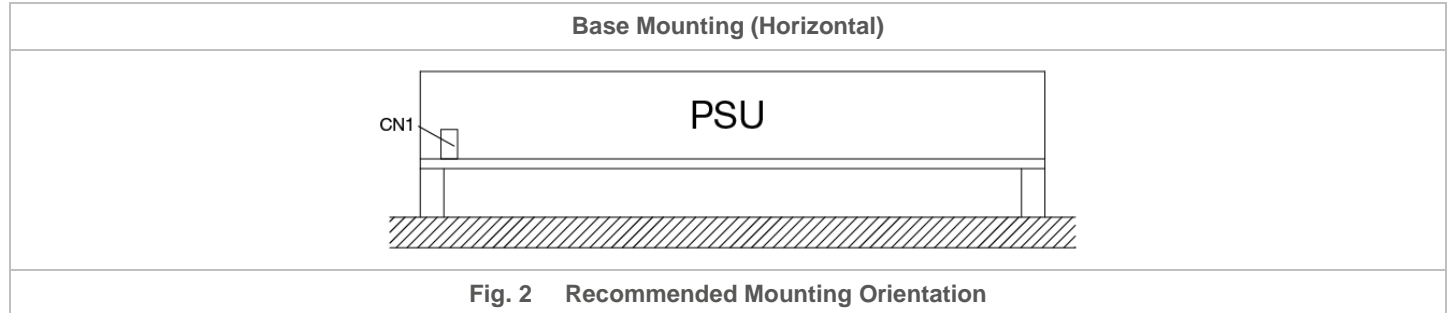
- No output power de-rating for the input voltage from 90Vac to 264Vac

PJT Open Frame Power Supply

PJT-100WBB Series / PJT-□□V100WBB□

Assembly & Installation

Any excessive twisting or bending may damage the device's PCB. Please handle the device with care.



Safety Instructions

- If user's mounting orientation is not according to the recommended mounting orientations, please consult Delta for further information.
- The device is not recommended to be placed on low thermal conductive surface. For example, plastics.
- For safety reasons, please ensure the mounted device is kept at $\geq 4\text{mm}$ safety distance at all sides from other components and equipments. Please insert an insulation sheet between the system and product, if the safety distance is less than 4mm. In addition, to ensure sufficient convection cooling, always maintain a distance of $\geq 20\text{mm}$ from ventilated surfaces while the device is in operation.
- Note that the enclosure of the device can become very hot depending on the ambient temperature and load of the power supply. Do not touch the device while it is in operation or immediately after power is turned OFF. Risk of burning!
- Do not touch the terminals while power is being supplied. Risk of electric shock.
- Prevent any foreign metal, particles or conductors from entering the device through the openings during installation. It may cause electric shock, safety hazard, fire, and/or product failure.
- The power supply must be mounted by metal screws onto a grounded metal surface. It is highly recommended that the Earth terminal on the connector be connected to the grounded metal surface.

PJT Open Frame Power Supply

PJT-100WBB Series / PJT-□□V100WBB□

Functions

Start-up Time

The time required for the output voltage to reach 90% of its set value, after the input voltage is applied.

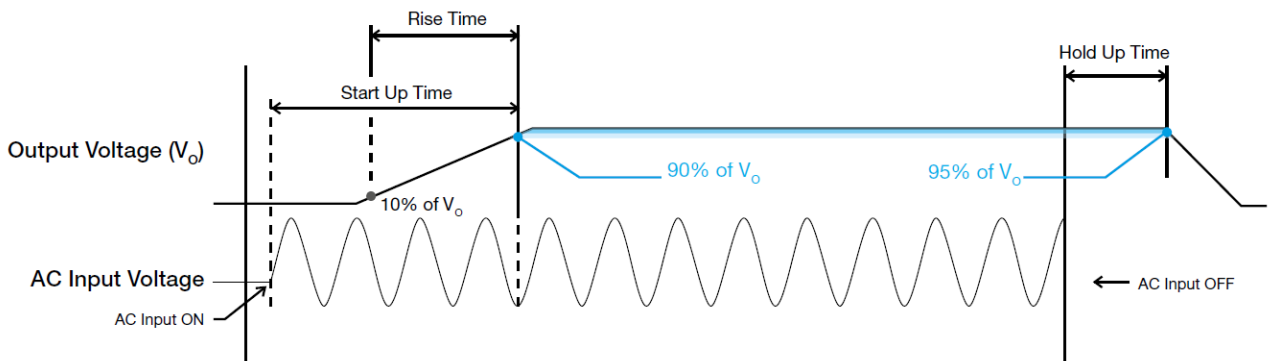
Rise Time

The time required for the output voltage to change from 10% to 90% of its set value.

Hold-up Time

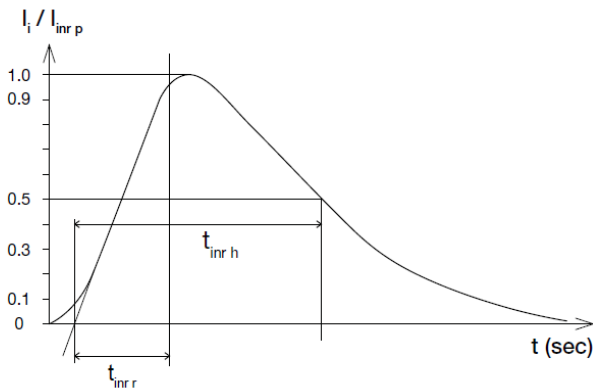
Hold up time is the time when the AC input collapses and output voltage retains regulation for a certain period of time. The time required for the output to reach 95% of its set value, after the input voltage is removed.

■ Graph illustrating the Start-up Time, Rise Time, and Hold-up Time



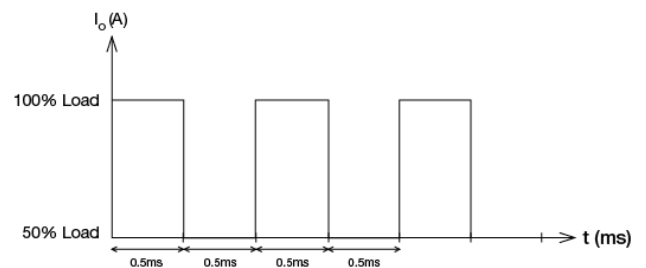
Inrush Current

Inrush current is the peak, instantaneous, input current measured and, occurs when the input voltage is first applied. For AC input voltages, the maximum peak value of inrush current will occur during the first half cycle of the applied AC voltage. This peak value decreases exponentially during subsequent cycles of AC voltage.



Dynamic Response

The power supply output voltage will remain within $\pm 5\%$ of its steady state value, when subjected to a dynamic load from 50 to 100% of its rated current.

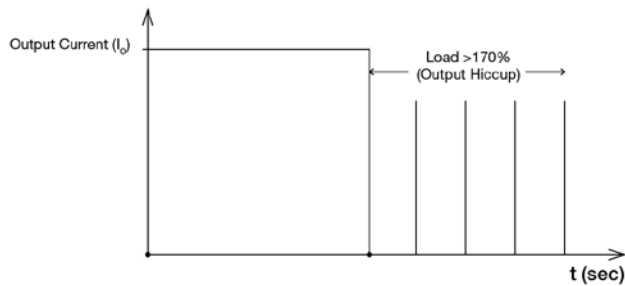


PJT Open Frame Power Supply

PJT-100WBB Series / PJT-□□V100WBB□

Overload & Overcurrent Protections

The power supply's Overload (OLP) and Overcurrent (OCP) Protections will be activated when output current exceeds 170% of I_O (Max load). In such occurrence, the V_O will start to droop and once the power supply has reached its maximum power limit, the protection is activated and the power supply will go into "Hiccup mode" (Auto-Recovery). The power supply will recover once the fault condition of the OLP and OCP is removed and I_O is back within the specifications.

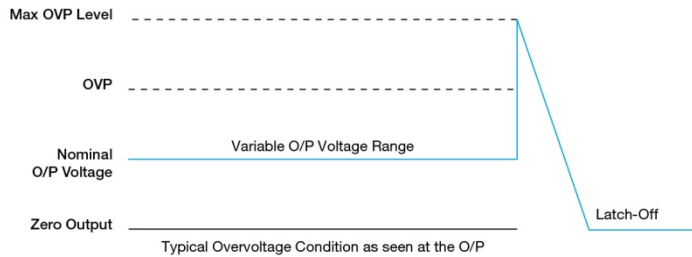


It is not recommended to prolong the duration of I_O when it is <170% but >100%, since it may cause damage to the PSU.

Overvoltage Protection

The power supply's overvoltage circuit will be activated when its internal feedback circuit fails. The output voltage shall not exceed its specifications defined on Page 3 under "Protections".

The power supply should be latch.



Over Temperature Protection

As mentioned above, the power supply also has Over Temperature Protection (OTP). In the event of a higher operating temperature at 100% load, the power supply will run into OTP when the operating temperature is beyond what is recommended in the de-rating graph. When activated, the output voltage will go into bouncing mode until the temperature drops to its normal operating temperature as recommended in the de-rating graph.

Short Circuit Protection

The power supply's output OLP/OCP function also provides protection against short circuits. When a short circuit is applied, the output current will operate in "Hiccup mode", as shown in the illustration in the OLP/OCP section on this page. The power supply will return to normal operation after the short circuit is removed.

Cold Start at -20°C

The power supply unit can cold start and continuously operate at -20°C, but the following values will be inferior to its specification.

| Output Ratings | Input Voltage | PJT-24V100WBB□ |
|----------------|---------------|---|
| PARD (20MHz) | 90Vac | Need to warm up for 5 minutes to meet < 240mVpp |
| | 100Vac | |
| | 115Vac | |
| | 230Vac | |
| | 264Vac | |
| Start-up Time | 90Vac | < 40s* |
| | 100Vac | < 5s* |
| | 115Vac | < 500ms |
| | 230Vac | |
| | 264Vac | |

*The power supply's output will hiccup before it fully turns on.

PJT Open Frame Power Supply

PJT-100WBB Series / PJT-□□V100WBB□

Others

Delta RoHS Compliant

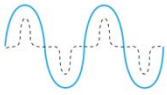


Restriction of the usage of hazardous substances

The European directive 2011/65/EU limits the maximum impurity level of homogeneous materials such as lead, mercury, cadmium, chrome, polybrominated flame retardants PBB and PBDE for the use in electrical and electronic equipment. RoHS is the abbreviation for "Restriction of the use of certain hazardous substances in electrical and electronic equipment".

This product conforms to this standard.

PFC – Norm EN 61000-3-2



Line Current Harmonic content

Typically, the input current waveform is not sinusoidal due to the periodical peak charging of the input capacitor. In industrial environment, complying with EN 61000-3-2 is only necessary under special conditions. Complying to this standard can have some technical drawbacks, such as lower efficiency as well as some commercial aspects such as higher purchasing costs. Frequently, the user does not profit from fulfilling this standard, therefore, it is important to know whether it is mandatory to meet this standard for a specific application.

AMEYA360

Components Supply Platform

Authorized Distribution Brand :



Website :

Welcome to visit www.ameya360.com

Contact Us :

➤ Address :

401 Building No.5, JiuGe Business Center, Lane 2301, Yishan Rd
Minhang District, Shanghai , China

➤ Sales :

Direct +86 (21) 6401-6692

Email amall@ameya360.com

QQ 800077892

Skype [ameyasales1](#) [ameyasales2](#)

➤ Customer Service :

Email service@ameya360.com

➤ Partnership :

Tel +86 (21) 64016692-8333

Email mkt@ameya360.com