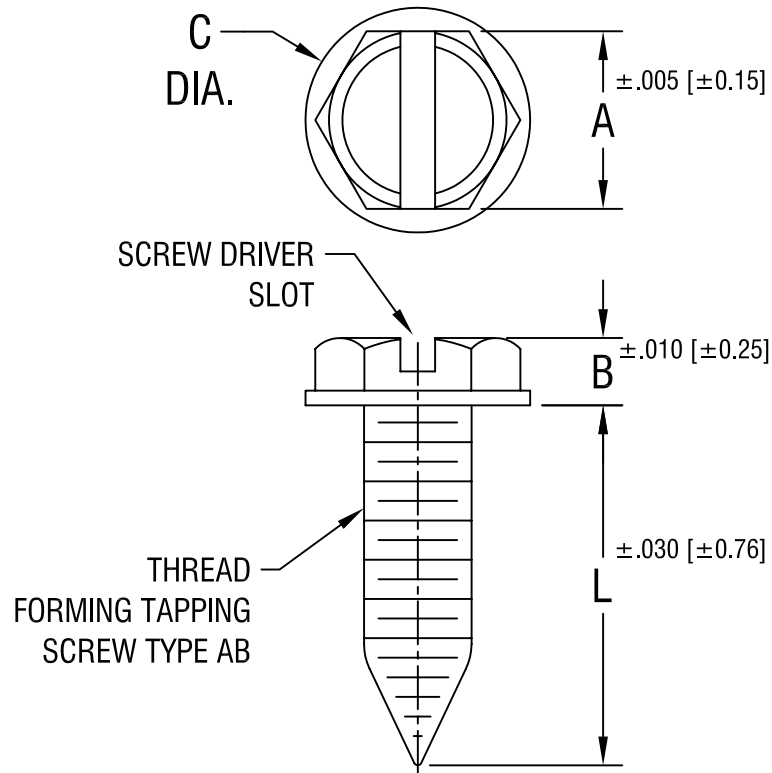


THIS DOCUMENT IS THE PROPERTY OF KEYSTONE ELECTRONICS CORP. AND SHALL NOT BE REPRODUCED, DISTRIBUTED OR USED AS A BASIS FOR MANUFACTURE WITHOUT PRIOR WRITTEN PERMISSION FROM KEYSTONE ELECTRONICS CORP.



| PART NO. | 'L' DIM. | THREAD | 'A' DIM. | 'B' DIM. | 'C' DIA. |
|----------|--------------|--------|-------------|-------------|--------------|
| 9575 | .375 [9.53] | NO. 4 | .185 [4.70] | .070 [1.78] | .234 [5.94] |
| 9576 | .375 [9.53] | NO. 6 | .247 [6.27] | .106 [2.69] | .315 [8.00] |
| 9577 | .500 [12.70] | | | | |
| 9578 | .375 [9.53] | NO. 8 | .247 [6.27] | .128 [3.25] | .335 [8.51] |
| 9579 | .500 [12.70] | | | | |
| 9580 | .375 [9.53] | NO. 10 | .309 [7.85] | .136 [3.45] | .399 [10.13] |
| 9581 | .500 [12.70] | | | | |

KEYSTONE ELECTRONICS CORP.

ASTORIA, N.Y. 11105-2017

PART NAME

SELF TAPPING HEX WASHER HEAD SCREW

MATERIAL

STEEL

FINISH

ZINC PLATE

DRN BY

BOONE

DATE

3.1.04

APP'D

LN

SCALE

5X

TOLERANCES

INCH [MM]

DECIMAL ±.015 [±0.38]

ANGULAR ± 1°

UNLESS OTHERWISE SPECIFIED

CODE

C/M

DWG NO.

9575-9581

| DATE | DESCRIPTION | REV. |
|------|-------------|------|
| | | |

AMEYA360

Components Supply Platform

Authorized Distribution Brand :



Website :

Welcome to visit www.ameya360.com

Contact Us :

➤ Address :

401 Building No.5, JiuGe Business Center, Lane 2301, Yishan Rd
Minhang District, Shanghai , China

➤ Sales :

Direct +86 (21) 6401-6692

Email amall@ameya360.com

QQ 800077892

Skype [ameyasales1](#) [ameyasales2](#)

➤ Customer Service :

Email service@ameya360.com

➤ Partnership :

Tel +86 (21) 64016692-8333

Email mkt@ameya360.com