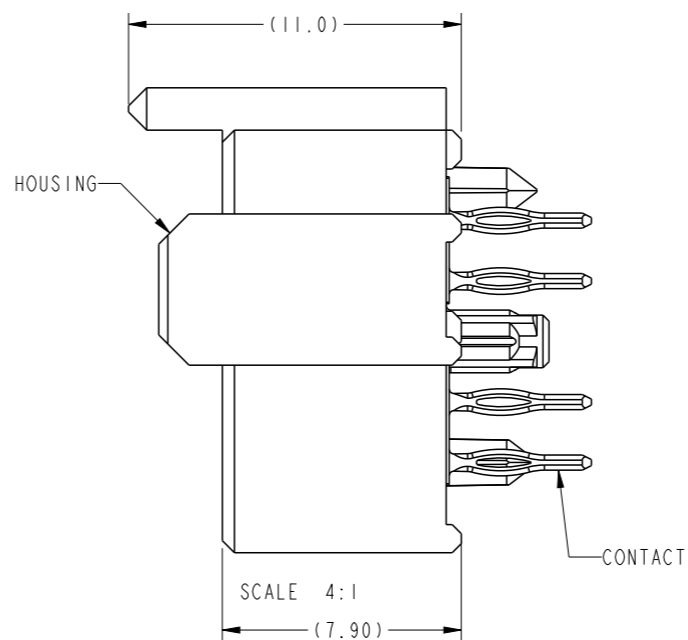
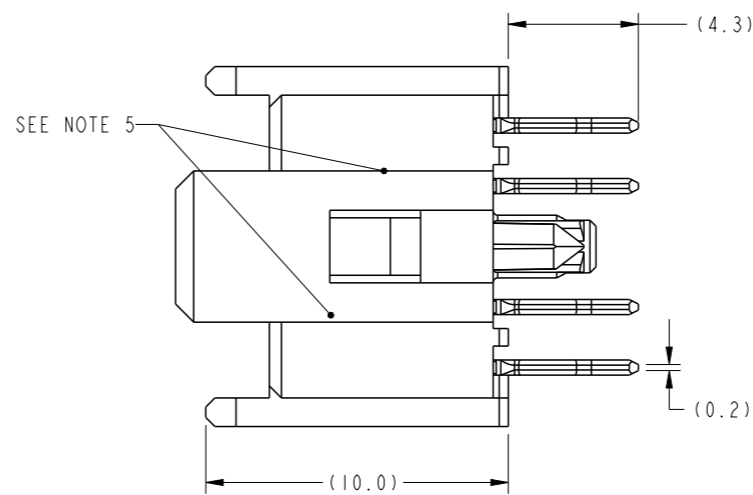
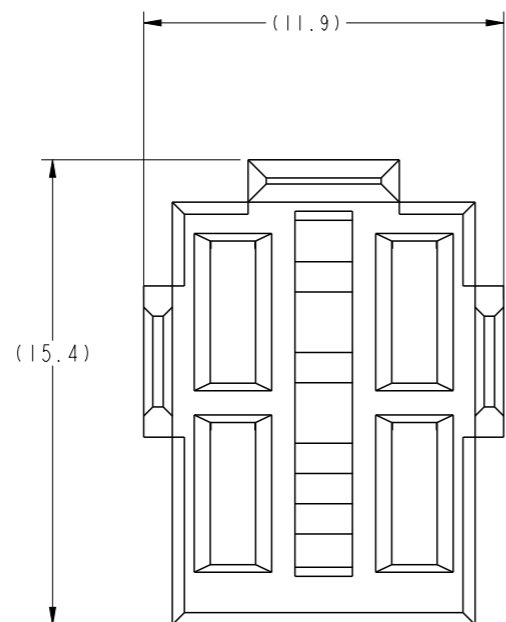
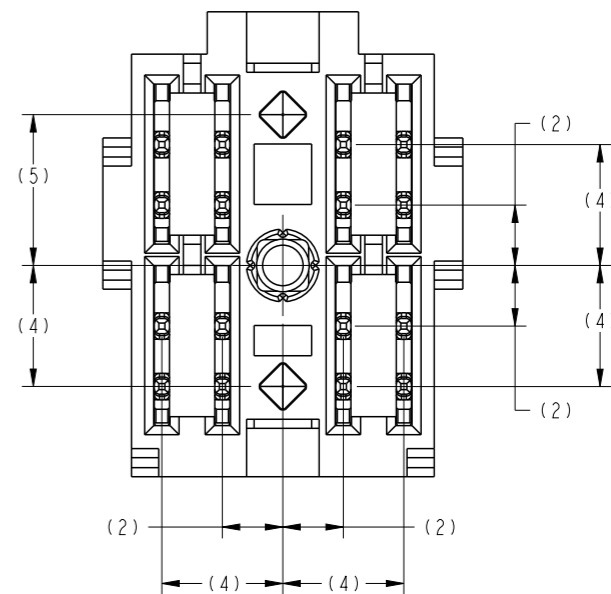


PRODUCT NUMBER	EQUIVALENT METRAL SIGNAL HEADER PIN LENGTH	ROHS COMPATIBILITY
10009536-001	8.0	N/A
10009536-002	6.5	N/A
10009536-003 *	5.0	N/A
10009536-001LF	8.0	SEE NOTE 9
10009536-002LF	6.5	SEE NOTE 9
10009536-003LF *	5.0	SEE NOTE 9

* SEE NOTE 7



SCALE 4:1

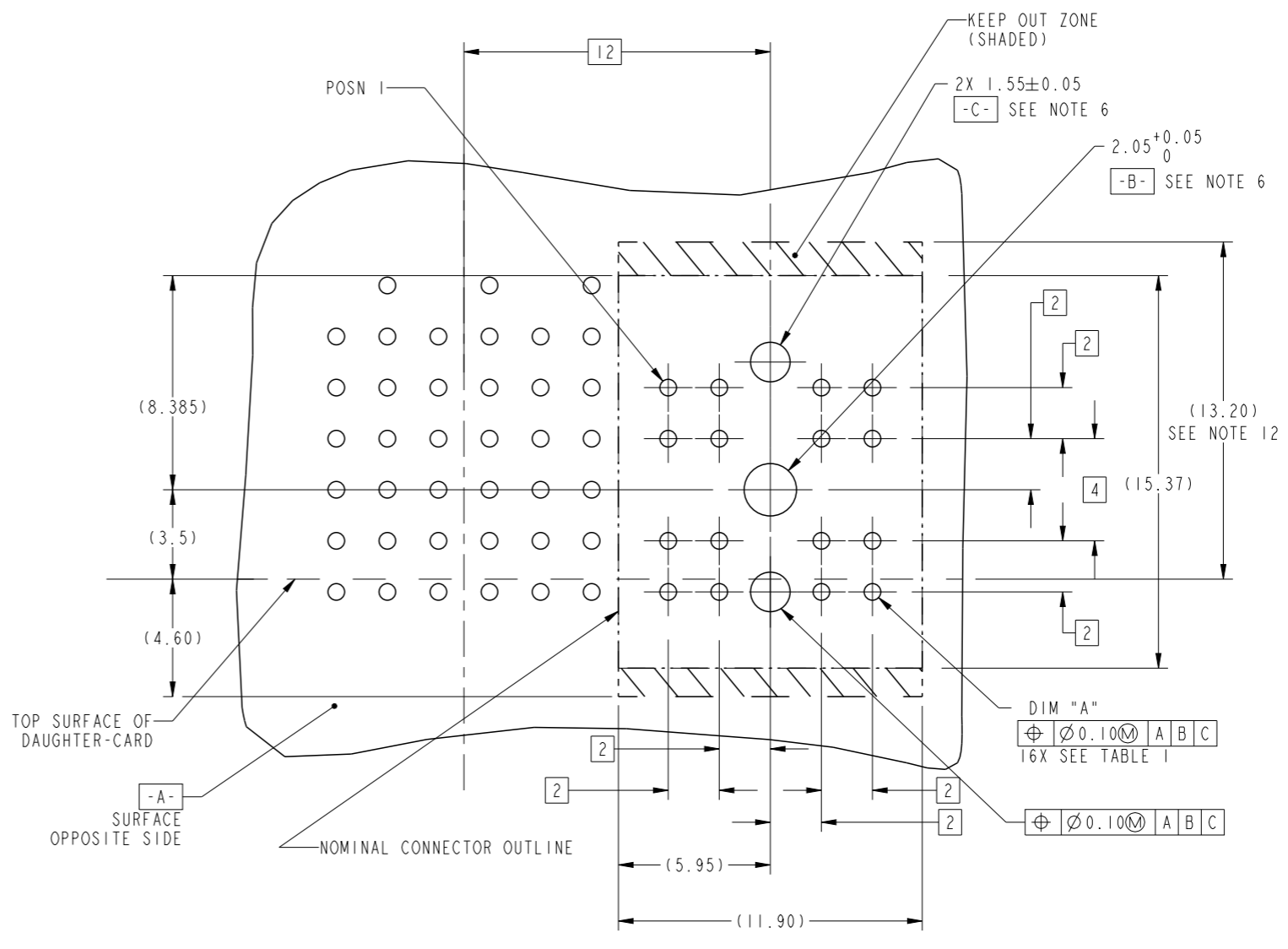


spec ref	-	dr	Chen-Hong Tan	2005/08/03	projection	mm	size	A3	scale	3:1
tolerance std	-	eng	Suzie Nah	2013/12/25			ecn no	ELX-S-16550-1	rel level	Released
-	TOLERANCES UNLESS OTHERWISE SPECIFIED	chr	-	app						
surface	✓	linear	0.X	±.3		RECEPTACLE ASSEMBLY, PRESS-FIT, METRAL VERSION	dwg no	10009536	rev	J
			0.XX	±.1						
			0.XXX	±.051						
ASME Y14.5	angular	0°	±2°	www.fci.com	cat. no.	-	sheet 1 of 2			



Copyright FCI.

TOP LAYER DESCRIPTION	TABLE I PLATED THROUGH-HOLE REQUIREMENTS							
	DRILLED HOLE DIAMETER	COPPER THICKNESS	TIN-LEAD THICKNESS	NICKEL THICKNESS	GOLD THICKNESS	TIN THICKNESS	SILVER THICKNESS	FINISHED HOLE DIAMETER (DIM "A")
TIN-LEAD	0.81-0.86 (0.85 DRILL)	0.025 - 0.050	0.005 - 0.015	--	--	--	--	0.65 - 0.80
IMMERSION TIN	0.81-0.86 (0.85 DRILL)	0.025 - 0.050	--	--	--	0.9 - 1.5 μ m	--	0.70 - 0.80
IMMERSION SILVER	0.81-0.86 (0.85 DRILL)	0.025 - 0.050	--	--	--	--	0.15 - 0.65 μ m	0.70 - 0.80
COPPER (SEE NOTE 11)	0.81-0.86 (0.85 DRILL)	0.025 - 0.050	--	--	--	--	--	0.70 - 0.80
GOLD	0.81-0.86 (0.85 DRILL)	0.025 - 0.050	--	0.003 - 0.007	FLASH UP TO 0.0002	--	--	0.69 - 0.80



SCALE 4:1
RECOMMENDED PCB LAYOUT,
COMPONENT SIDE
(SHOWN BESIDE A 5 ROW METRAL 1000 HEADER)

- NOTES:
- CONNECTOR MATERIALS:
HOUSING: HIGH TEMPERATURE THERMOPLASTIC, BLACK,)
UL94V-0 COMPLIANT.
CONTACT: HIGH PERFORMANCE COPPER ALLOY
 - CONTACT PLATING:
PRESS-FIT TAIL: 0.5-1.5 μ m TIN-LEAD OVER NICKEL (LEADED)
: 0.5-1.5 μ m MATTE TIN OVER NICKEL (LEAD FREE)
SEPARABLE INTERFACE: 0.76 μ m MIN GXT OVER NICKEL \triangle
 - PRODUCT SPECIFICATION: GS-12-220
 - APPLICATION SPECIFICATION: GS-20-023
 - PRODUCT MARKING (PRODUCT NUMBER & LOT CODE)
ON THESE SURFACES.
 - INDICATED HOLES ARE UNPLATED.
 - 003 AND -003LF WILL NOT BE TOOLED INITIALLY.
 - "LF" SUFFIX DENOTES LEAD FREE PLATING.
 - PRODUCT MEETS EUROPEAN UNION DIRECTIVES
AND OTHER COUNTRY REGULATIONS AS DESCRIBED
IN FCI SPECIFICATION GS-22-008.
 - PACKAGING MEETS FCI SPECIFICATION GS-14-920.
 - COPPER PLATING THICKNESS AT CENTER OF VIA HOLE
CAN BE NO MORE THAN 0.003 LESS THAN OTHER AREAS.
 - KEEPOUT AREA CORRESPOND TO MATING HEADER OUTLINE
WITH 13.2MM HEIGHT ABOVE TOP SURFACE OF DAUGHTER CARD
AND 4.60MM BELOW TOP SURFACE OF DAUGHTER CARD
 - A \triangle SYMBOL WILL BE NEXT TO ANY DIMENSION, VIEW,
OR NOTE WHICH HAS BEEN MODIFIED WITH THE CURRENT
DRAWING REVISION

spec ref	-	dr	Chen-Hong Tan	2005/08/03	projection	mm	size	A3	scale	3:1										
tolerance std	TOLERANCES UNLESS OTHERWISE SPECIFIED	eng	Suzie Nah	2013/12/25			ecn no	ELX-S-16550-1	rel level	Released										
-		chr	-	-																
surface	<table border="1"> <tr> <td>linear</td> <td>0.X</td> <td>$\pm .3$</td> </tr> <tr> <td></td> <td>0.XX</td> <td>$\pm .1$</td> </tr> <tr> <td></td> <td>0.XXX</td> <td>$\pm .051$</td> </tr> <tr> <td>angular</td> <td>0°</td> <td>$\pm 2^\circ$</td> </tr> </table>	linear	0.X	$\pm .3$		0.XX	$\pm .1$		0.XXX	$\pm .051$	angular	0°	$\pm 2^\circ$	appr	Chen-Hong Tan	2014/01/14	product family	XXXXXX	rel level	Released
linear	0.X	$\pm .3$																		
	0.XX	$\pm .1$																		
	0.XXX	$\pm .051$																		
angular	0°	$\pm 2^\circ$																		
ASME Y14.5				RECEPTACLE ASSEMBLY, PRESS-FIT, METRAL VERSION		dwg no	10009536		rev	J										
		www.fci.com	cat. no.					sheet 2 of 2												



Copyright FCI.

Authorized Distribution Brand :



Website :

Welcome to visit www.ameya360.com

Contact Us :

➤ Address :

401 Building No.5, JiuGe Business Center, Lane 2301, Yishan Rd
Minhang District, Shanghai , China

➤ Sales :

Direct +86 (21) 6401-6692

Email amall@ameya360.com

QQ 800077892

Skype ameyasales1 ameyasales2

➤ Customer Service :

Email service@ameya360.com

➤ Partnership :

Tel +86 (21) 64016692-8333

Email mkt@ameya360.com