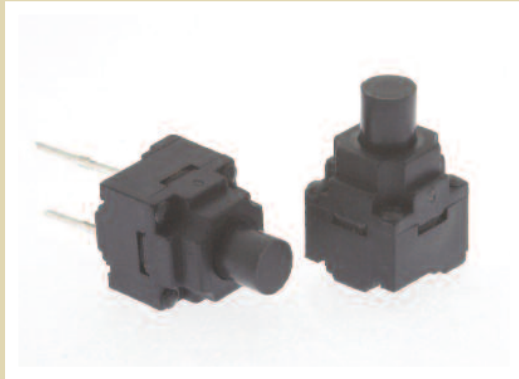


SERIES TL52 SWITCHES



THRU HOLE TACTILE SWITCH



MECHANICAL SPECIFICATIONS

Mechanical Life:	100,000 cycles
Force:	260 ± 50 gf; 160 ± 50 gf
Travel:	0.3 +0.2/-0.1mm

ELECTRICAL SPECIFICATIONS

Contact Rating:	50mA @12 VDC
Contact Resistance (Initial Max.):	100 mOhms
Insulation Resistance:	100 MOhms min @100VDC
Dielectric Strength (1 Min.):	250VAC
Bounce:	10m Second Max

FEATURES & BENEFITS

- Sealed to IP-67 rating
- Radial packaging
- Silver contacts

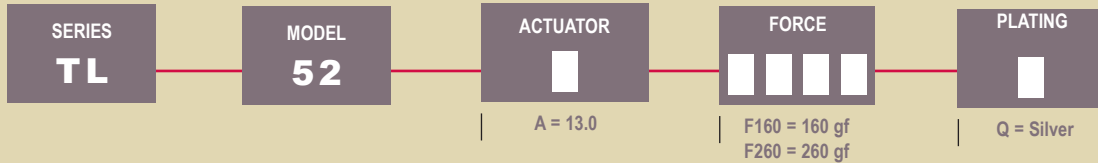
APPLICATIONS / MARKETS

- Appliance
- Testing/instrumentation
- Medical

ENVIRONMENTAL SPECIFICATIONS

Operating Temperature:	-25°C to +85°C
------------------------	----------------

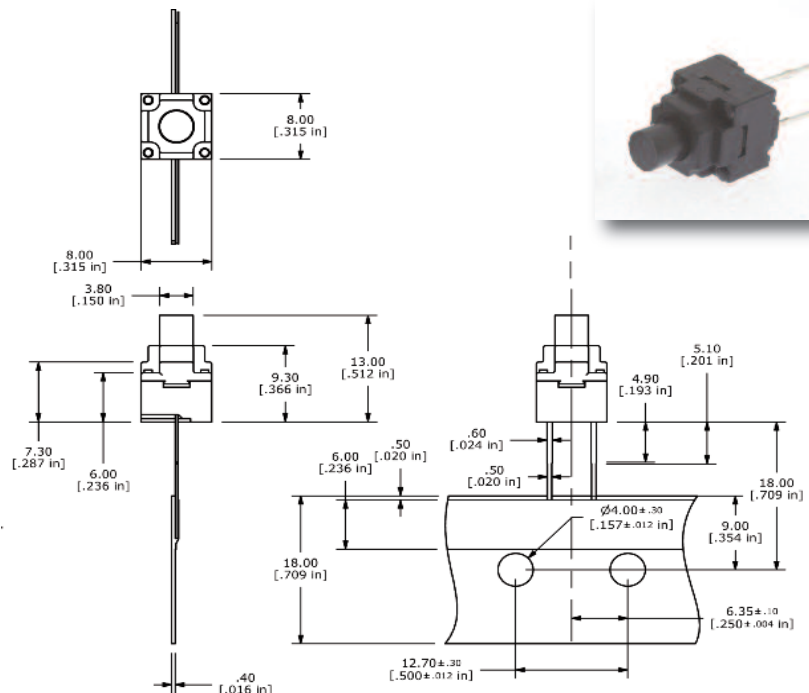
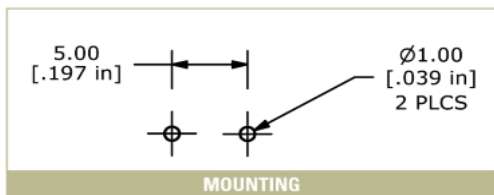
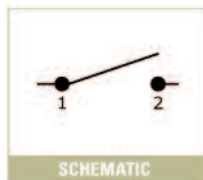
HOW TO ORDER



Example Ordering Number

TL52AF160Q

Specifications subject to change without notice.



AMEYA360

Components Supply Platform

Authorized Distribution Brand :



Website :

Welcome to visit www.ameya360.com

Contact Us :

➤ Address :

401 Building No.5, JiuGe Business Center, Lane 2301, Yishan Rd
Minhang District, Shanghai , China

➤ Sales :

Direct +86 (21) 6401-6692

Email amall@ameya360.com

QQ 800077892

Skype [ameyasales1](#) [ameyasales2](#)

➤ Customer Service :

Email service@ameya360.com

➤ Partnership :

Tel +86 (21) 64016692-8333

Email mkt@ameya360.com