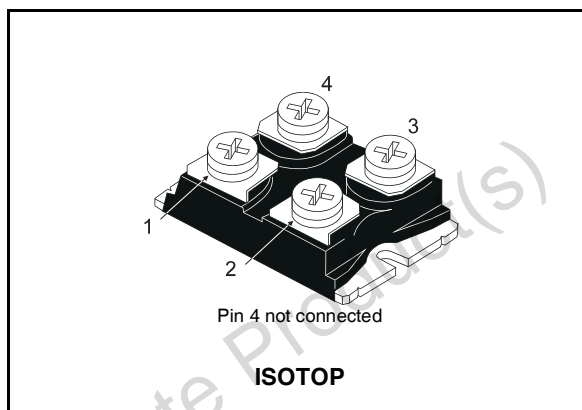


NPN transistor power module

General features

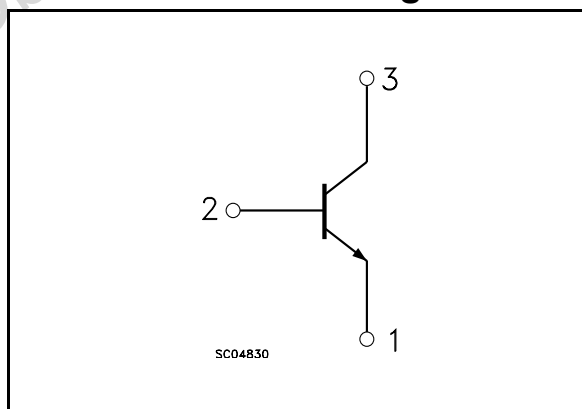
- NPN Transistor
- High current power bipolar module
- Very low R_{th} junction case
- Specific accidental overload areas
- Fully insulated package (U.L. compliant) for easy mounting
- Low internal parasitic inductance
- In compliance with the 2002/93/EC European Directive



Applications

- Motor control
- SMPS & UPS
- Welding equipment

Internal schematic diagram



Order codes

Part Number	Marking	Package	Packing
BUV298V	BUV298V	ISOTOP	Tube

Contents

1	Electrical ratings	3
2	Electrical characteristics	4
2.1	Electrical characteristics (curves)	5
2.2	Test circuits and waveforms	7
3	Package mechanical data	9
4	Revision history	11

Obsolete Product(s) - Obsolete Product(s)

1 Electrical ratings

Table 1. Absolute maximum rating

Symbol	Parameter	Value	Unit
V_{CEV}	Collector-emitter voltage ($V_{BE} = -5V$)	850	V
$V_{CEO(sus)}$	Collector-emitter voltage ($I_B = 0$)	450	V
V_{EBO}	Emitter-base voltage ($I_C = 0$)	7	V
I_C	Collector current	50	A
I_{CM}	Collector peak current ($t_P < 10ms$)	75	A
I_B	Base current	10	A
I_{BM}	Base peak current ($t_P < 10ms$)	16	A
P_{tot}	Total dissipation at $T_C = 25^\circ C$	250	W
V_{isol}	Insulation insulation withstand voltage (RMS) from all four leads to external heatsink	2500	V
T_{stg}	Storage temperature	-65 to 150	$^\circ C$
T_J	Max. operating junction temperature	150	$^\circ C$

Table 2. Thermal data

Symbol	Parameter	Value	Unit
$R_{thj-case}$	Thermal resistance junction-case max	0.5	$^\circ C/W$
R_{thc-h}	Thermal resistance case heatsink with conductive grease applied max	0.05	$^\circ C/W$

2 Electrical characteristics

($T_{\text{case}} = 25^{\circ}\text{C}$ unless otherwise specified)

Table 3. Electrical characteristics

Symbol	Parameter	Test Conditions	Min.	Typ.	Max.	Unit
I_{CER}	Collector cut-off current ($R_{\text{BE}} = 5\Omega$)	$V_{\text{CE}} = V_{\text{CEV}}$ $V_{\text{CE}} = V_{\text{CEV}}$ $T_j = 100^{\circ}\text{C}$			0.4 2	mA mA
I_{CEV}	Collector cut-off current ($V_{\text{BE}} = -5\text{V}$)	$V_{\text{CE}} = V_{\text{CEV}}$ $V_{\text{CE}} = V_{\text{CEV}}$ $T_j = 100^{\circ}\text{C}$			0.4 2	mA mA
I_{EBO}	Emitter cut-off current ($I_{\text{C}} = 0$)	$V_{\text{EB}} = 5\text{V}$			2	mA
$V_{\text{CEO(sus)}}^{(1)}$	Collector-emitter sustaining voltage ($I_{\text{B}} = 0$)	$I_{\text{C}} = 0.2\text{A}$ $L = 25\text{mH}$ $V_{\text{clamp}} = 450\text{V}$	450			V
h_{FE}	DC current gain	$I_{\text{C}} = 32\text{A}$ $V_{\text{CE}} = 5\text{V}$		12		
$V_{\text{CE(sat)}}^{(1)}$	Collector-emitter saturation voltage	$I_{\text{C}} = 32\text{A}$ $I_{\text{B}} = 6.4\text{A}$ $I_{\text{C}} = 32\text{A}$ $I_{\text{B}} = 6.4\text{A}$ $T_j = 100^{\circ}\text{C}$		0.35 0.6	1.2 2	V V
$V_{\text{BE(sat)}}^{(1)}$	Base-emitter saturation voltage	$I_{\text{C}} = 32\text{A}$ $I_{\text{B}} = 6.4\text{A}$ $I_{\text{C}} = 32\text{A}$ $I_{\text{B}} = 6.4\text{A}$ $T_j = 100^{\circ}\text{C}$		1 0.9	1.5 1.5	V V
di_{C}/dt	Rate of rise of On-state collector	$V_{\text{CC}} = 300\text{V}$ $R_{\text{C}} = 0$ $t_{\text{p}} = 3\mu\text{s}$ $I_{\text{B1}} = 9.6\text{A}$ $T_j = 100^{\circ}\text{C}$	160	210		A/ μs
$V_{\text{CE(3}\mu\text{s)}}$	Collector-emitter dynamic voltage	$V_{\text{CC}} = 300\text{V}$ $R_{\text{C}} = 9.3\Omega$ $I_{\text{B1}} = 9.6\text{A}$ $T_j = 100^{\circ}\text{C}$		4.5	8	V
$V_{\text{CE(5}\mu\text{s)}}$	Collector-emitter dynamic voltage	$V_{\text{CC}} = 300\text{V}$ $R_{\text{C}} = 9.3\Omega$ $I_{\text{B1}} = 9.6\text{A}$ $T_j = 100^{\circ}\text{C}$		2.5	4	V
t_{s} t_{f} t_{c}	Storage time Fall time Cross-over time	$I_{\text{C}} = 32\text{A}$ $V_{\text{CC}} = 50\text{V}$ $V_{\text{BB}} = -5\text{V}$ $R_{\text{BB}} = 0.39\Omega$ $I_{\text{B1}} = 6.4\text{A}$ $V_{\text{clamp}} = 450\text{V}$ $L = 78\mu\text{H}$ $T_j = 100^{\circ}\text{C}$		3.2 0.25 0.5	4.5 0.4 0.7	μs μs μs
V_{CEW}	Maximum collector-emitter voltage without snubber	$I_{\text{CWoff}} = 48\text{A}$ $I_{\text{B1}} = 6.4\text{A}$ $V_{\text{BB}} = -5\text{V}$ $V_{\text{CC}} = 50\text{V}$ $L = 52\mu\text{H}$ $R_{\text{BB}} = 0.39\Omega$ $T_j = 125^{\circ}\text{C}$	450			V

Note (1) Pulsed duration = $300\mu\text{s}$, duty cycle $\leq 1.5\%$

2.1 Electrical characteristics (curves)

Figure 1. Safe operating area

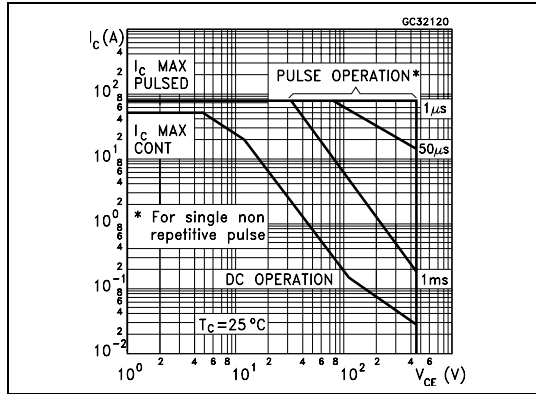


Figure 2. Thermal impedance

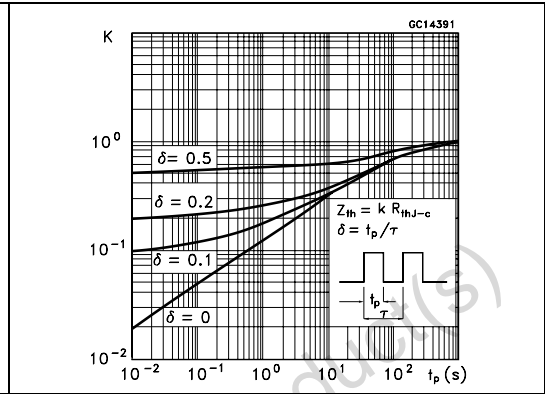


Figure 3. Derating curves

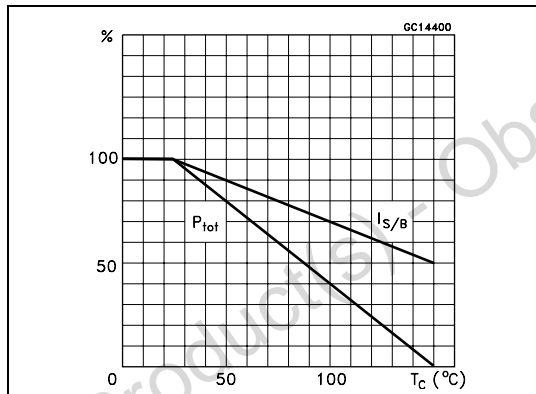


Figure 4. Collector-emitter voltage vs base-emitter resistance

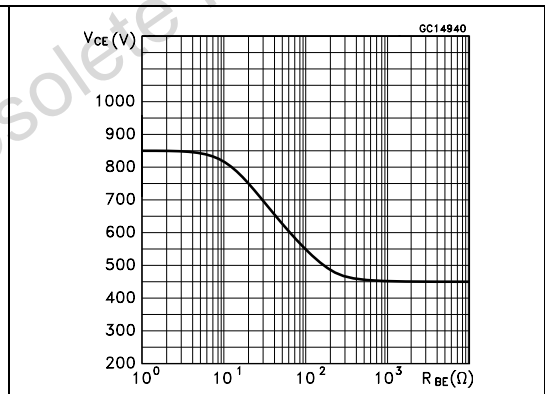


Figure 5. Collector-emitter saturation voltage

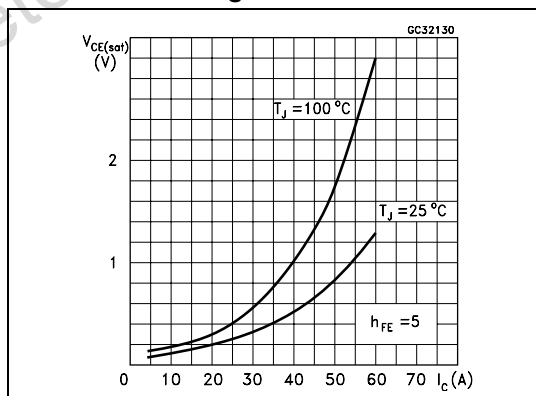


Figure 6. Base-emitter saturation voltage

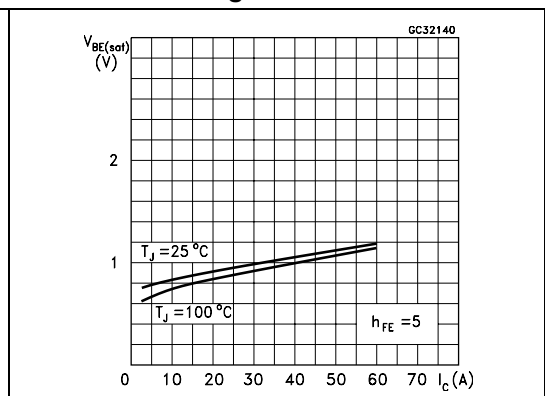


Figure 7. Reverse biased SOA

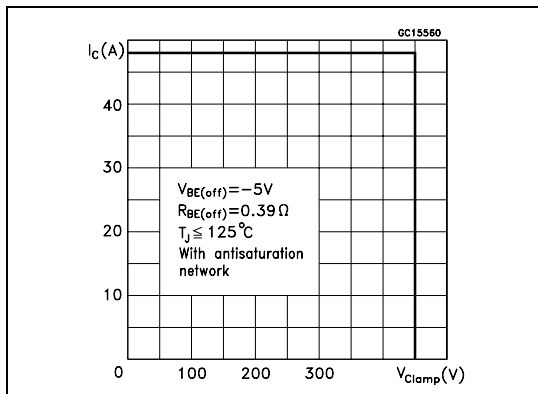


Figure 8. Forward biased SOA

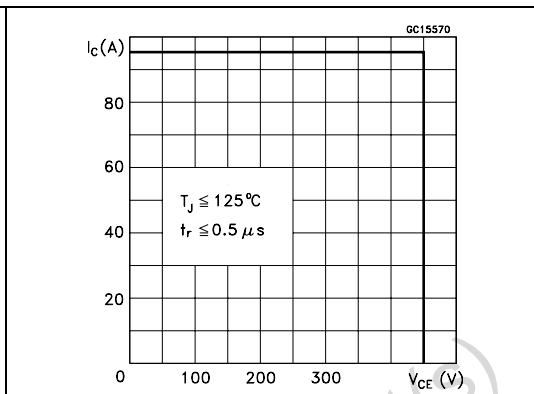


Figure 9. Reverse biased AOA

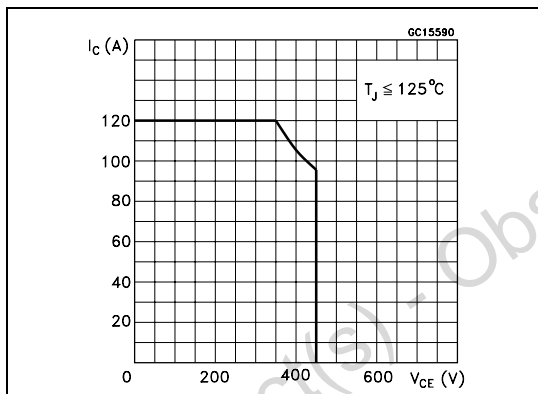


Figure 10. Forward biased AOA

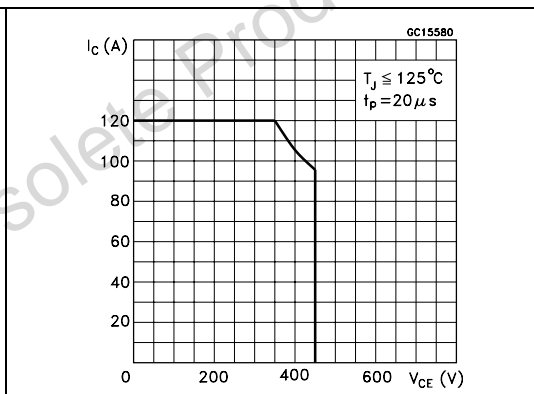


Figure 11. Switching times Inductive load

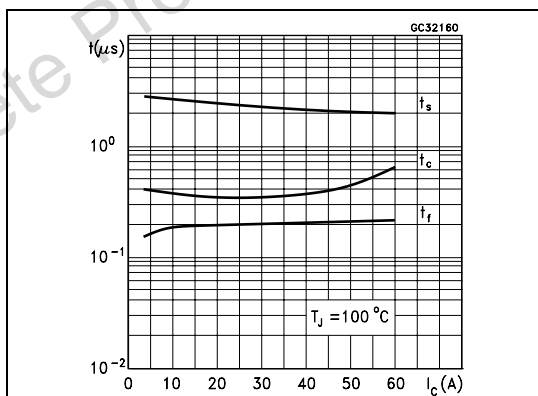


Figure 12. Switching times Inductive load vs temperature

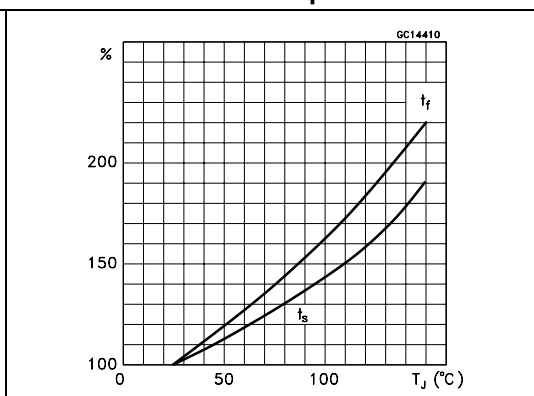
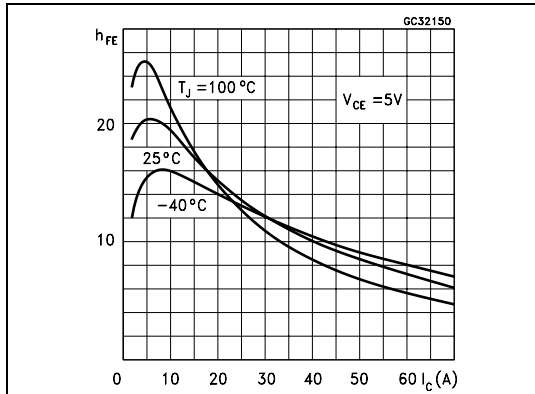


Figure 13. DC current gain



2.2 Test circuits and waveforms

Figure 14. Turn-on switching test circuit

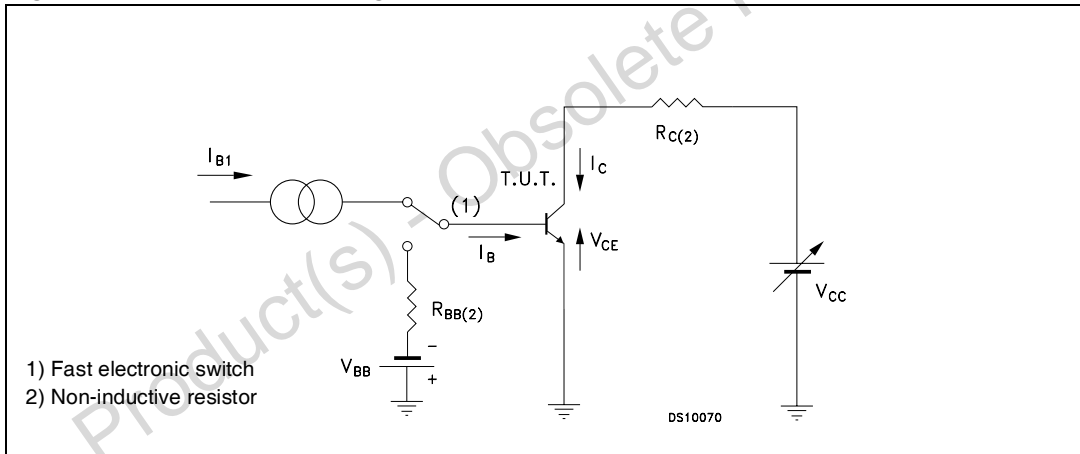


Figure 15. Turn-on switching waveforms

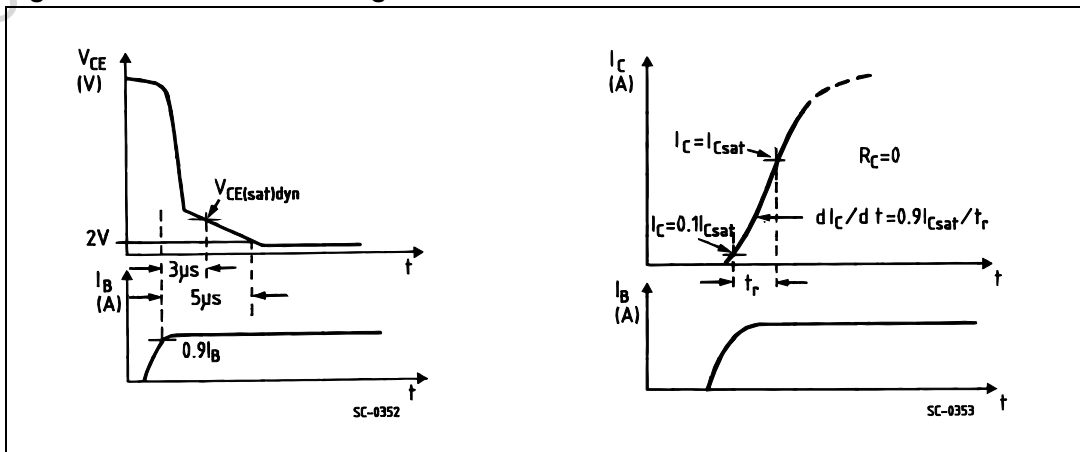


Figure 16. Turn-off switching test circuit

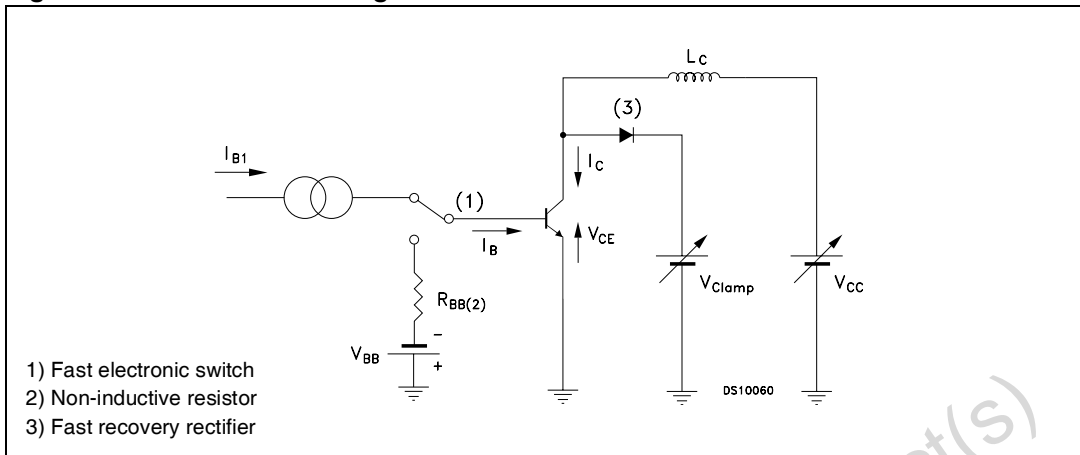
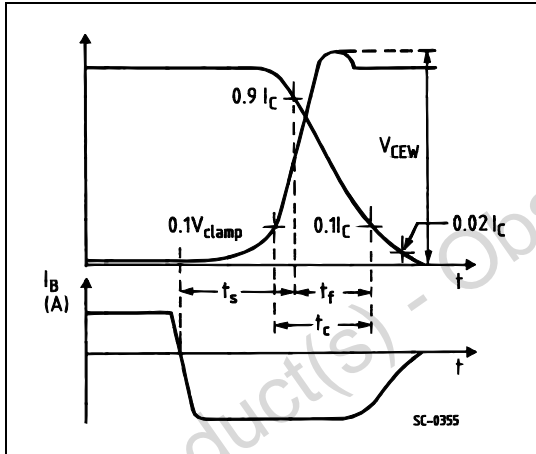


Figure 17. Turn-off switching waveforms



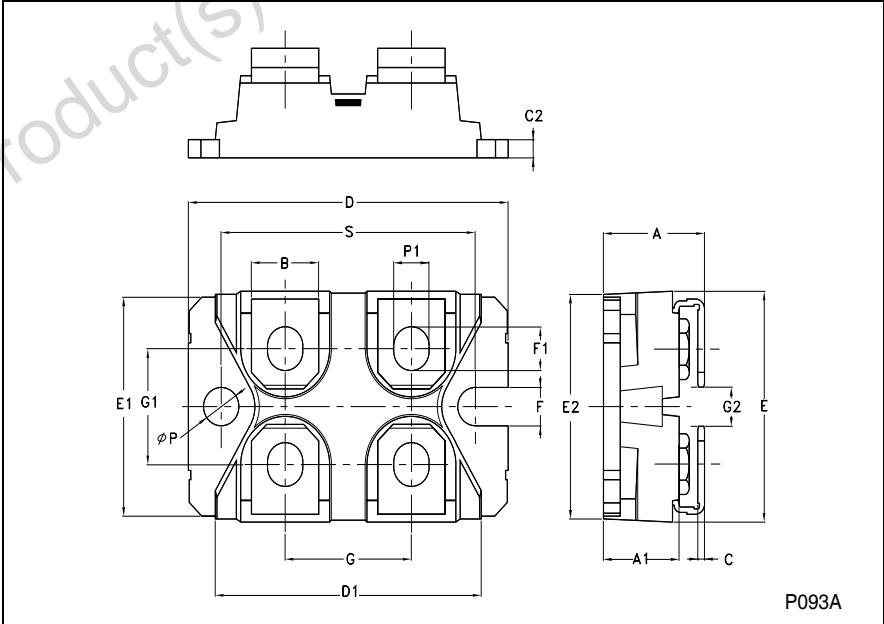
3 Package mechanical data

In order to meet environmental requirements, ST offers these devices in ECOPACK® packages. These packages have a Lead-free second level interconnect. The category of second level interconnect is marked on the package and on the inner box label, in compliance with JEDEC Standard JESD97. The maximum ratings related to soldering conditions are also marked on the inner box label. ECOPACK is an ST trademark. ECOPACK specifications are available at: www.st.com

Obsolete Product(s) - Obsolete Product(s)

ISOTOP MECHANICAL DATA

DIM.	mm			inch		
	MIN.	TYP.	MAX.	MIN.	TYP.	MAX.
A	11.8		12.2	0.465		0.480
A1	8.9		9.1	0.350		0.358
B	7.8		8.2	0.307		0.322
C	0.75		0.85	0.029		0.033
C2	1.95		2.05	0.076		0.080
D	37.8		38.2	1.488		1.503
D1	31.5		31.7	1.240		1.248
E	25.15		25.5	0.990		1.003
E1	23.85		24.15	0.938		0.950
E2		24.8			0.976	
G	14.9		15.1	0.586		0.594
G1	12.6		12.8	0.496		0.503
G2	3.5		4.3	0.137		1.169
F	4.1		4.3	0.161		0.169
F1	4.6		5	0.181		0.196
P	4		4.3	0.157		0.169
P1	4		4.4	0.157		0.173
S	30.1		30.3	1.185		1.193



4 Revision history

Table 4. Revision history

Date	Revision	Changes
01-Mar-2003	1	Initial release.
14-Jan-2004	2	Technical migration from ST-press to EDOCS
27-Nov-2006	3	The document has been reformatted

Obsolete Product(s) - Obsolete Product(s)

Please Read Carefully:

Information in this document is provided solely in connection with ST products. STMicroelectronics NV and its subsidiaries ("ST") reserve the right to make changes, corrections, modifications or improvements, to this document, and the products and services described herein at any time, without notice.

All ST products are sold pursuant to ST's terms and conditions of sale.

Purchasers are solely responsible for the choice, selection and use of the ST products and services described herein, and ST assumes no liability whatsoever relating to the choice, selection or use of the ST products and services described herein.

No license, express or implied, by estoppel or otherwise, to any intellectual property rights is granted under this document. If any part of this document refers to any third party products or services it shall not be deemed a license grant by ST for the use of such third party products or services, or any intellectual property contained therein or considered as a warranty covering the use in any manner whatsoever of such third party products or services or any intellectual property contained therein.

UNLESS OTHERWISE SET FORTH IN ST'S TERMS AND CONDITIONS OF SALE ST DISCLAIMS ANY EXPRESS OR IMPLIED WARRANTY WITH RESPECT TO THE USE AND/OR SALE OF ST PRODUCTS INCLUDING WITHOUT LIMITATION IMPLIED WARRANTIES OF MERCHANTABILITY, FITNESS FOR A PARTICULAR PURPOSE (AND THEIR EQUIVALENTS UNDER THE LAWS OF ANY JURISDICTION), OR INFRINGEMENT OF ANY PATENT, COPYRIGHT OR OTHER INTELLECTUAL PROPERTY RIGHT.

UNLESS EXPRESSLY APPROVED IN WRITING BY AN AUTHORIZED REPRESENTATIVE OF ST, ST PRODUCTS ARE NOT RECOMMENDED, AUTHORIZED OR WARRANTED FOR USE IN MILITARY, AIR CRAFT, SPACE, LIFE SAVING, OR LIFE SUSTAINING APPLICATIONS, NOR IN PRODUCTS OR SYSTEMS, WHERE FAILURE OR MALFUNCTION MAY RESULT IN PERSONAL INJURY, DEATH, OR SEVERE PROPERTY OR ENVIRONMENTAL DAMAGE. ST PRODUCTS WHICH ARE NOT SPECIFIED AS "AUTOMOTIVE GRADE" MAY ONLY BE USED IN AUTOMOTIVE APPLICATIONS AT USER'S OWN RISK.

Resale of ST products with provisions different from the statements and/or technical features set forth in this document shall immediately void any warranty granted by ST for the ST product or service described herein and shall not create or extend in any manner whatsoever, any liability of ST.

ST and the ST logo are trademarks or registered trademarks of ST in various countries.

Information in this document supersedes and replaces all information previously supplied.

The ST logo is a registered trademark of STMicroelectronics. All other names are the property of their respective owners.

© 2006 STMicroelectronics - All rights reserved

STMicroelectronics group of companies

Australia - Belgium - Brazil - Canada - China - Czech Republic - Finland - France - Germany - Hong Kong - India - Israel - Italy - Japan - Malaysia - Malta - Morocco - Singapore - Spain - Sweden - Switzerland - United Kingdom - United States of America

www.st.com

AMEYA360

Components Supply Platform

Authorized Distribution Brand :



Website :

Welcome to visit www.ameya360.com

Contact Us :

➤ Address :

401 Building No.5, JiuGe Business Center, Lane 2301, Yishan Rd
Minhang District, Shanghai , China

➤ Sales :

Direct +86 (21) 6401-6692

Email amall@ameya360.com

QQ 800077892

Skype [ameyasales1](#) [ameyasales2](#)

➤ Customer Service :

Email service@ameya360.com

➤ Partnership :

Tel +86 (21) 64016692-8333

Email mkt@ameya360.com