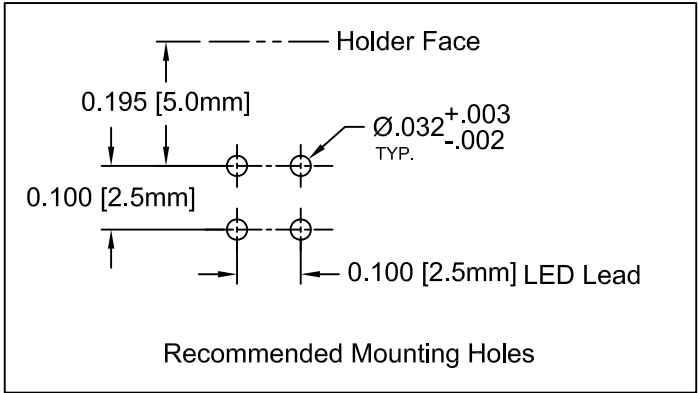
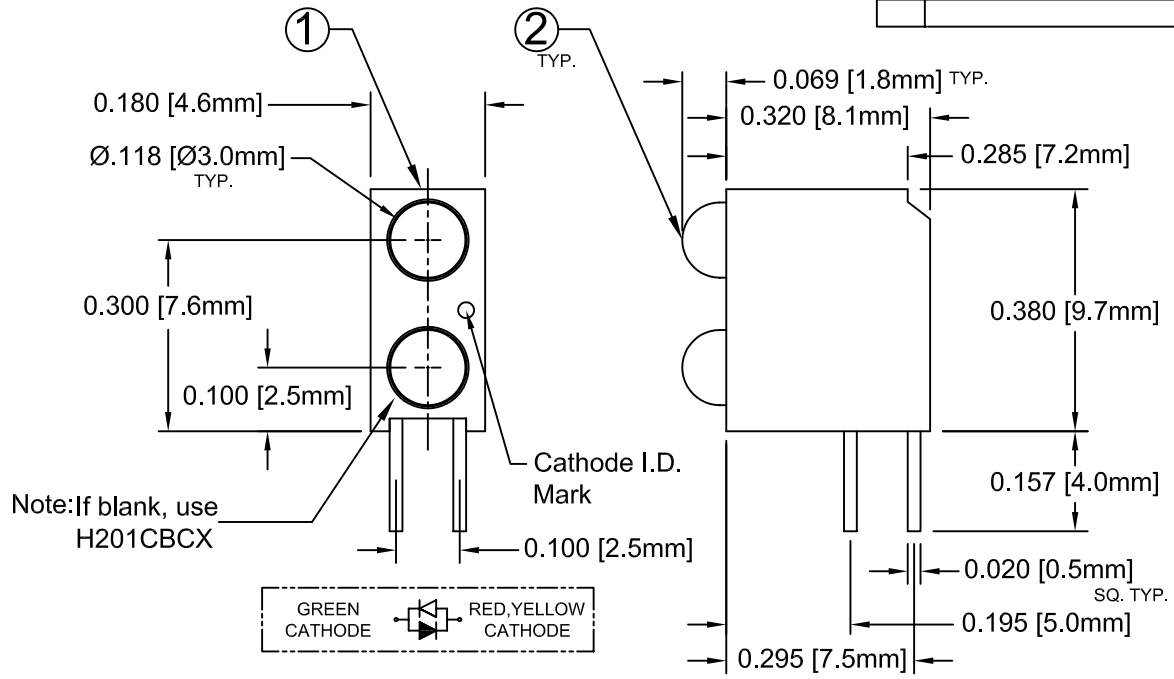


ITEM	Q'TY	PART NUMBER	PART DESCRIPTION
1	1	H-201C	T-1 (3mm) Bi-Level LED Holder, 90° Mount
2	2	3BCXX	T-1 (3mm) N-Flange Bi-Color LED, See Page 2

REV.	DESCRIPTION	DATE	APPROVED
A	Engineering Update w/o Changes	03/05/04	M. C.
B	Added Note for Blank LED	02/26/08	M. C.




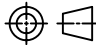
ABSOLUTE MAXIMUM RATINGS (Ta=25° C)

REVERSE VOLTAGE _____	5V
REVERSE CURRENT _____	100uA
OPERATING TEMPERATURE RANGE _____	-25° C - 85° C
STORAGE TEMPERATURE _____	-30° C - 100° C
LEAD SOLDERING TEMPERATURE(1/16" FROM BODY) _____	260° C FOR 5 SECONDS

STANDARD TOLERANCE (UNLESS OTHERWISE SPECIFIED)		 BIVAR [®] 4 THOMAS, IRVINE, CA. 92618 TEL: (949) 951-8808 FAX: (949) 951-3974	TITLE: T-1 (3MM) BI-COLOR 90° BI-LEVEL LED ASSY	
DECIMALS	ANGULAR		PART NO: H201CBCXX	REVISION: B
.X ±.1	X° ± 1°			
.XX ±.02		CHECKED: D. Green	DATE: 03/05/04	
.XXX ±.010		CAGE CODE : 32559 SHEET # 1 OF 2		
CAD GENERATED DOCUMENT, DO NOT MEASURE DRAWING.				

REV.	DESCRIPTION	DATE	APPROVED
	SEE SHEET#1.		

LED Assy. No.	Peak Wave Length λ_p (nm)	Emitted Color	Lens Appearance	Abs. Max. Ratin	Electro-Optical Data @ 20ma			Viewing Angle $2\theta \frac{1}{2}$ (Deg)	LED P/N
					If (mA)	Vf (V)			
				TYP		MAX	TYP		
H201CBC	635	HE RED	WHITE DIFFUSED	30	2.0	2.6	30.0	45	3BC
	568	GREEN		30	2.2	2.6	30.0		
H201CBC-Y/G	585	YELLOW	WHITE DIFFUSED	30	2.1	2.6	15.0	45	3BC-Y/G
	568	GREEN		30	2.2	2.6	30.0		

STANDARD TOLERANCE (UNLESS OTHERWISE SPECIFIED) $\pm 10\%$ ALL VALUES		 BIVAR [®] 4 THOMAS, IRVINE, CA. 92618 TEL: (949) 951-8808 FAX: (949) 951-3974	
ANGULAR $X^\circ \pm 5^\circ$			
		TITLE: T-1 (3MM) BI-COLOR 90° BI-LEVEL LED ASSY	
		DESIGNED: Shane Irving	DATE: 03/05/04
CHECKED: M. Chen	DATE: 03/05/04	CAGE CODE : 32559	SHEET # 2 OF 2
CAD GENERATED DOCUMENT, DO NOT MEASURE DRAWING.			

AMEYA360

Components Supply Platform

Authorized Distribution Brand :



Website :

Welcome to visit www.ameya360.com

Contact Us :

➤ Address :

401 Building No.5, JiuGe Business Center, Lane 2301, Yishan Rd
Minhang District, Shanghai , China

➤ Sales :

Direct +86 (21) 6401-6692

Email amall@ameya360.com

QQ 800077892

Skype [ameyasales1](#) [ameyasales2](#)

➤ Customer Service :

Email service@ameya360.com

➤ Partnership :

Tel +86 (21) 64016692-8333

Email mkt@ameya360.com