

max. 79 m³/h

DC axial fans

Series 8400 N 80 x 80 x 25 mm



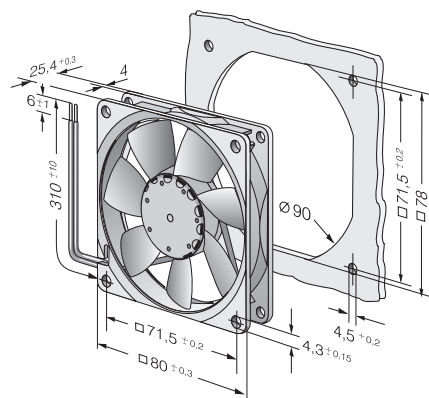
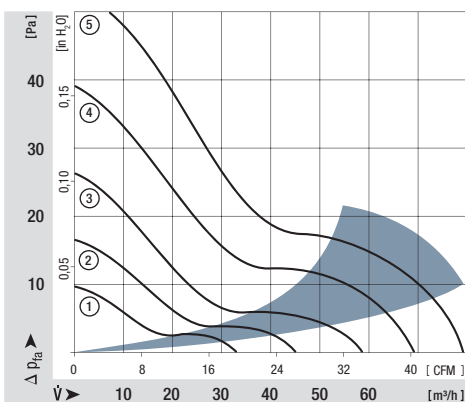
Highlights:

- Ball bearings and sleeve bearings available.
- Some models suitable for use at high ambient temperatures up to 85 °C.

General characteristics:

- Material: fibreglass-reinforced plastic. Impeller PA, housing PBT.
- Fully integrated electronic commutation.
- Protected against reverse polarity and locking.
- Connection via single strands AWG 24, TR 64. Bared and tin-plated.
- Air exhaust over struts. Direction of rotation counter-clockwise, seen on rotor.
- Mass: 95 g.

Nominal data	Air flow		Nominal voltage	Voltage range	Sound pressure level	Sound power level	Sinter sleeve bearings Ball bearings	Power input	Nominal speed	Temperature range	Service life L ₁₀ (40 °C) ebm-papst Standard	Service life L ₁₀ (T _{max}) ebm-papst Standard	Life expectancy L ₁₀ Δ (40 °C) see P. 15	Curve	Specials
	Type	m ³ /h													
8412 NGL	33	19,4	12	8...15	12	3,5	□	0,5	1 500	-20...+85	80 000 / 27 500	160 000	1	/2	
8412 NLE	33	19,4	12	8...15	17	3,7	■	0,3	1 500	-20...+85	80 000 / 27 500	160 000	1		
8412 NGMLE	45	26,5	12	8...15	19	3,9	□	0,9	2 050	-20...+80	80 000 / 32 500	160 000	2		
8412 NMLE	45	26,5	12	8...15	21	4,0	■	0,6	2 050	-20...+85	80 000 / 27 500	160 000	2		
8412 NGME	58	34,1	12	8...15	26	4,3	□	1,4	2 600	-20...+75	80 000 / 35 000	160 000	3	/2	
8412 NME	58	34,1	12	8...15	27	4,4	■	1,0	2 600	-20...+75	80 000 / 35 000	160 000	3		
8412 NG	69	40,6	12	8...15	32	4,7	□	2,0	3 100	-20...+70	70 000 / 35 000	140 000	4	/2	
8412 N	69	40,6	12	8...15	32	4,7	■	2,0	3 100	-20...+70	70 000 / 35 000	140 000	4	/2	
8412 NH	79	46,5	12	8...13,2	37	5,0	■	2,2	3 600	-20...+70	70 000 / 35 000	140 000	5	/2/12	
8412 NH-217	79	46,5	12	8...15	37	5,0	■	2,4	3 600	-20...+70	70 000 / 35 000	140 000	5		
8414 NGL	33	19,4	24	18...28	12	3,5	□	0,7	1 500	-20...+70	80 000 / 40 000	160 000	1	/2	
8414 NL	33	19,4	24	18...28	17	3,7	■	0,7	1 500	-20...+70	80 000 / 40 000	160 000	1		
8414 NGML	45	26,5	24	18...28	19	3,9	□	1,1	2 050	-20...+70	80 000 / 40 000	160 000	2		
8414 NML	45	26,5	24	18...28	21	4,0	■	1,1	2 050	-20...+70	80 000 / 40 000	160 000	2		
8414 NGM	58	34,1	24	18...28	26	4,3	□	1,4	2 600	-20...+70	80 000 / 40 000	160 000	3	/2	
8414 NM	58	34,1	24	18...28	27	4,4	■	1,4	2 600	-20...+70	80 000 / 40 000	160 000	3		
8414 NG	69	40,6	24	18...28	32	4,7	□	2,0	3 100	-20...+70	70 000 / 35 000	140 000	4	/2	
8414 N	69	40,6	24	18...28	32	4,7	■	2,0	3 100	-20...+70	70 000 / 35 000	140 000	4	/2	
8414 NH	79	46,5	24	18...26	37	5,0	■	2,4	3 600	-20...+70	70 000 / 35 000	140 000	5	/2	
8414 NH-221	79	46,5	24	18...28	37	5,0	■	2,4	3 600	-20...+70	70 000 / 35 000	140 000	5		
8418 N	69	40,6	48	36...56	32	4,7	■	2,0	3 100	-20...+70	70 000 / 35 000	140 000	4		



AMEYA360

Components Supply Platform

Authorized Distribution Brand :



Website :

Welcome to visit www.ameya360.com

Contact Us :

➤ Address :

401 Building No.5, JiuGe Business Center, Lane 2301, Yishan Rd
Minhang District, Shanghai , China

➤ Sales :

Direct +86 (21) 6401-6692

Email amall@ameya360.com

QQ 800077892

Skype ameyasales1 ameyasales2

➤ Customer Service :

Email service@ameya360.com

➤ Partnership :

Tel +86 (21) 64016692-8333

Email mkt@ameya360.com